

# ARRAY FRAME HAF3-2115(W) Owner's Manual

EN

*Thank you for choosing this Yamaha product.  
Please read this manual carefully before using it in a speaker installation.  
Keep the manual in safe place for future reference.*

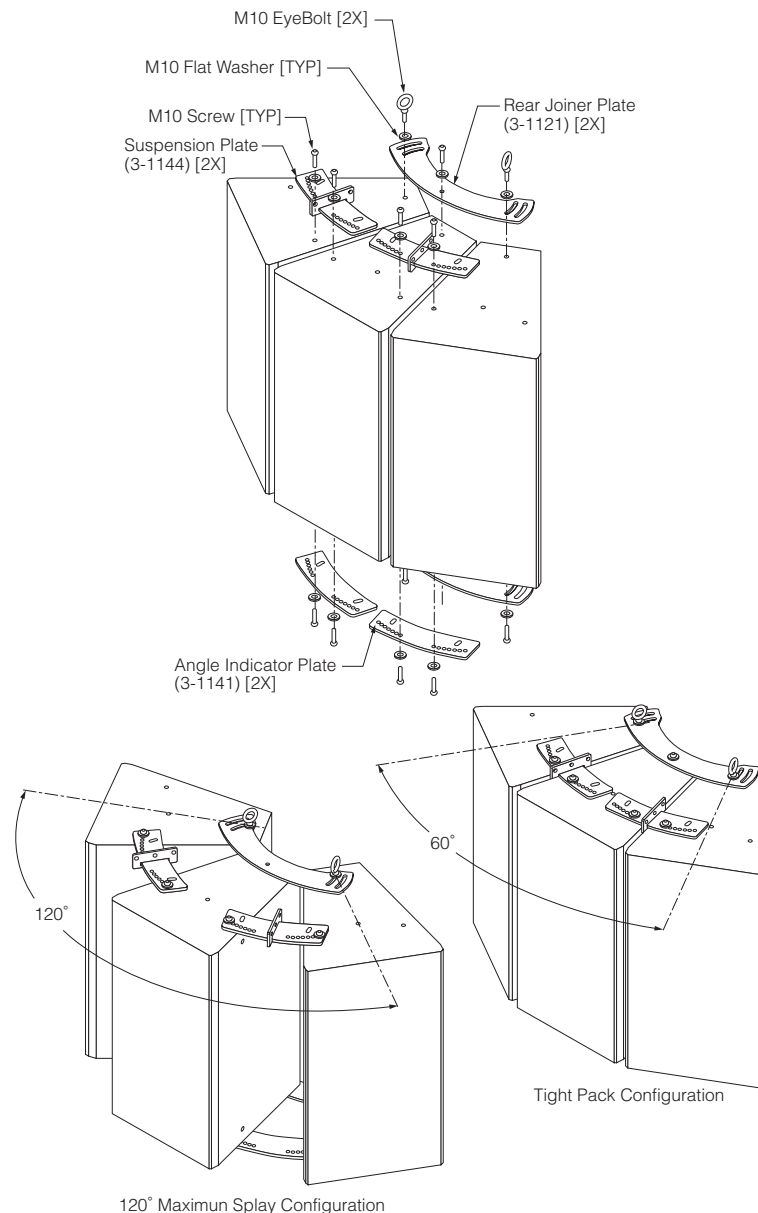
## Package Contents

### HAF3-2115(W)

- |                                 |   |   |                            |
|---------------------------------|---|---|----------------------------|
| <input type="checkbox"/> 3-1141 | Angle indicator plates (2 pcs.)             | <input type="checkbox"/> 2-1432   | M10 flat washers (16 pcs.) |
| <input type="checkbox"/> 3-1144 | Suspension plates (2 pcs.)                  | <input type="checkbox"/> 3-0112   | M10 L-key wrench (1 pc.)   |
| <input type="checkbox"/> 3-1121 | Rear Joiner plates (2 pcs.)                 | <b>NOTE</b>   |                            |
| <input type="checkbox"/> 3-0235 | M10-40mm button head socketscrews (14 pcs.) | <ul style="list-style-type: none"> <li>• Use only the eye bolts included with the speaker unit.</li> <li>• For information on load limits and the strength of the eyebolt, refer to the owner's manual of the speaker.</li> <li>• The load limits and strength of the suspension plate are 114.5 kg (maximum).</li> </ul> |                            |

## Installation Instructions

1. Flip the speakers upside down. Remove the existing speaker screws.
2. Determine the splay angle of the speaker and the holes to use on the front joiner plate.
3. Install a rear joiner plate on the rear inserts of the cluster with the provided screws and flat washers. Install two angle indicator plates on the front inserts using the corresponding holes for the appropriate splay angles with the screws and flat washers. Tighten permanently.
4. Carefully flip the assembly to expose the top of the speakers.
5. Install a rear joiner plate on the rear inserts of the speaker using two M10 eye bolts and washers on the side speakers. Use the slot closer to the center hole as shown in the illustration. Install an M10 screw and washer on the center speaker. Tighten permanently.
6. Install two suspension plates on the front inserts of the speakers using the same holes as the angle indicator plates. Make sure to match the hole positions on the bottom and top suspension plates.
7. Use the two eye bolts on the rear and the front to suspend the speaker cluster assembly.
8. For steep tilt angles, move the rear eye bolts to the rear bottom insert of the speaker cluster and use as a pull back point. Make sure to replace the eye bolts with the provided screws and washers.



## PRECAUTIONS

**PLEASE READ CAREFULLY BEFORE PROCEEDING**

\* Please keep this manual in a safe place for future reference.

### CAUTION

Always follow the basic precautions listed below to avoid the possibility of physical injury to you or others, or damage to the device or other property. These precautions include, but are not limited to, the following:



- Before doing any installation or construction work, consult with an installation expert.
- Make sure that the surface this bracket is being mounted on has the strength to handle the weight of both the speaker and this bracket.
- Use bolts and nuts as well as washers for installation and tighten them firmly so that the speaker is secure and does not move.
- Always loosen the corresponding screw before adjusting the angle or direction of the speaker. Never force this adjustment with the screw still tightened.
- Some fittings may deteriorate over extended periods of time due to wear and/or corrosion. For optimum safety, the installation should be checked thoroughly at regular intervals.

Yamaha cannot be held responsible for damage or injury caused by insufficient strength of the support structure or improper installation.

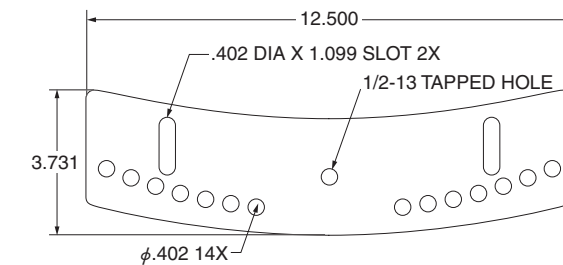
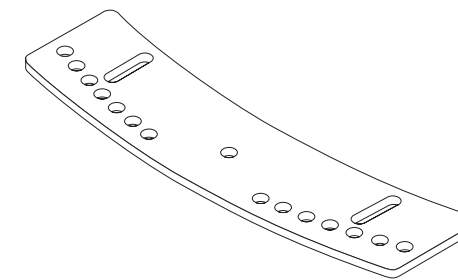
\* Illustrations herein are for explanatory purposes only, and may not match actual appearance during operation.

\* Company names and product names herein are trademarks or registered trademarks of their respective companies.

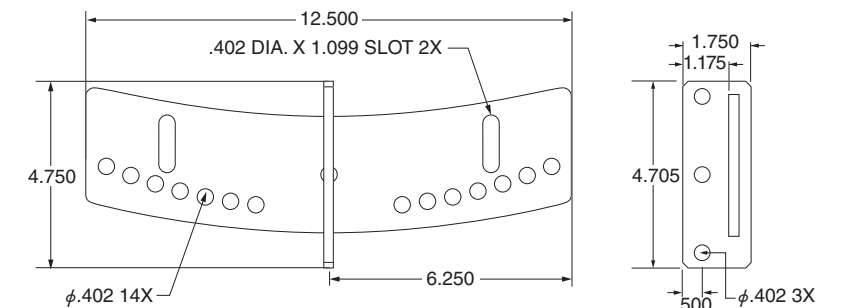
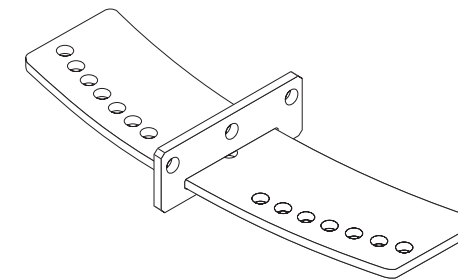
\* Specifications and descriptions in this owner's manual are for information purposes only. Yamaha Corp. reserves the right to change or modify products or specifications at any time without prior notice. Since specifications, equipment or options may not be the same in every locale, please check with your Yamaha dealer.

## Dimensions

### 3-1141 Angle Indicator Plate



### 3-1144 Suspension Plate



### 3-1121 Rear Joiner Plate

