

**MUSIC SYNTHESIZER****MX49****MX61****MX88**

---

**Data List****Table of Contents**

Voice List.....	2
Drum Kit Assign List .....	10
Performance List .....	23
Rhythm Pattern List.....	25
Arpeggio Type List .....	26
Effect Type List.....	32
Effect Parameter List.....	33
Effect Data Assign Table .....	41
Effect Preset List .....	49
Remote Control Assignments.....	51
Control List .....	52
MIDI Data Format.....	53
MIDI Data Table .....	57
MIDI Implementation Chart .....	67

# Voice List

Category (Main)	Category (Sub)	Number	Voice Name	MSB	LSB	PC	Polyphony
AP	APno	001	CncrtGrand	63	0	1	2
		002	MelloGrand	63	0	3	2
		003	Glasgow	63	0	4	2
		004	RmntoPiano	63	0	5	2
		005	Mono Grand	63	0	16	1
		006	C GrandPno	0	0	1	2
		007	Rock Piano	0	0	2	1
		008	Honkytonk	0	0	4	4
	Layer	009	Ballad Key	63	0	10	4
		010	80s Layer	63	0	11	3
		011	BalladStck	63	0	12	2
		012	Piano Back	63	0	13	4
		013	P.&Strings	63	0	14	3
		014	P.&Choir	63	0	15	3
	Modrn	015	Rock Grand	63	0	2	2
		016	Agro Grand	63	0	6	2
		017	Tacky	63	0	7	2
		018	HousePiano	63	0	8	3
	Vintg	019	Squashed	63	0	9	1
		020	Old Blues	63	0	17	2
		021	1968	63	0	18	1
		022	CP 1979	63	0	19	1
		023	CP70Chorus	63	0	20	1
		024	Journey	63	0	21	1
		025	CP 2007	0	0	3	1
KB	EP	001	Vintage'74	63	0	22	1
		002	R&B Soft	63	0	23	1
		003	Early 70's	63	0	24	2
		004	Soft Case	63	0	25	2
		005	Multi Comp	63	0	26	1
		006	Vintg Case	63	0	27	1
		007	Hard Vintg	63	0	28	1
		008	Sweetness	63	0	29	1
		009	Phsr Vintg	63	0	30	1
		010	Vintg TWah	63	0	31	1
		011	ErlyFusion	63	0	32	2
		012	Neo Soul	63	0	33	1
		013	1983	63	0	34	2
		014	Contempo	63	0	35	1
		015	Click Dyno	63	0	36	1
		016	Dyno Strt	63	0	37	2
		017	DynoChorus	63	0	38	1
		018	80sBoosted	63	0	39	1
		019	ChorusHard	63	0	40	1
		020	Max Tine	63	0	41	2
		021	BellChorus	63	0	42	3
		022	Drive EP	63	0	43	1
		023	Vinyl EP	63	0	44	3
		024	Ntrl Wurli	63	0	45	2
		025	WurliBrght	63	0	46	1
		026	WurliDistr	63	0	47	2
		027	WurliPhaze	63	0	48	1
		028	Hybrid EP	63	0	63	3
		029	Mixed Up	63	0	64	3
		030	Dyno Wurli	63	0	65	2
		031	Elec Piano	63	0	68	2
		032	EP Pad	63	0	70	2
		033	DX Pad	63	0	71	3
		034	Dyno Choir	63	0	72	4
		035	E.Piano 1	0	0	5	1
	FM	036	DX Legend	63	0	49	2
		037	Bell DX	63	0	50	3
		038	DX Woody	63	0	51	2
		039	Full Tine	63	0	52	2
		040	DX Mellow	63	0	53	2
		041	DX Crisp	63	0	54	2
		042	DX Celesta	63	0	55	2
		043	DX Pluck	63	0	56	2
		044	DX-7 II	63	0	57	3
		045	GS Tines	63	0	58	2
		046	Galaxy DX	63	0	59	3
		047	TX816 Bell	63	0	60	4
		048	Marimba DX	63	0	61	3

Category (Main)	Category (Sub)	Number	Voice Name	MSB	LSB	PC	Polyphony	
KB	FM	049	DX5-Zero	63	0	62	3	
		050	E.Piano 2	0	0	6	2	
	Clavi	051	Vintg Clav	63	0	73	2	
		052	Super Clav	63	0	74	1	
		053	StereoClav	63	0	75	2	
		054	HollowClav	63	0	76	1	
		055	Nu Phasing	63	0	77	2	
		056	Touch Clav	63	0	78	2	
		057	Pulse Clav	63	0	79	1	
		058	Gtrsichord	63	0	80	2	
		059	Hipsichord	63	0	81	3	
		060	Harpicord	0	0	7	1	
		061	BriteClavi	0	0	8	1	
		Synth	062	Analog Pno	63	0	66	2
	063		AhrAml	63	0	67	2	
	064		TransPiano	63	0	69	2	
	ORG	TrnWhl	001	16+8+5&1/3	63	0	82	4
			002	Jz2Perc+C3	63	0	83	5
			003	1st3w/Perc	63	0	84	5
			004	Slow Jam	63	0	85	4
			005	Cool Cat	63	0	86	5
			006	Jazzy 1	63	0	87	4
			007	Jazzy 2	63	0	88	4
			008	JazzChorus	63	0	89	3
009			On Road	63	0	90	4	
010			OnRoad2nd	63	0	91	4	
011			Progressy	63	0	92	4	
012			Rocky	63	0	93	5	
013			Crunchy	63	0	94	4	
014			Glassy	63	0	96	4	
015			Clean	63	0	97	2	
016			AllBarsPrc	63	0	98	8	
017			RtrVibrato	63	0	99	6	
018			Vib Chorus	63	0	100	1	
019			Soulemn	63	0	101	3	
020			Mellow	63	0	102	3	
021			Fully	63	0	103	5	
022			FullD	63	0	104	3	
023			Even Out	63	0	105	4	
024			HrmnicHole	63	0	106	5	
025			Few Wheels	63	0	107	4	
026			LeftManual	63	0	108	4	
027			DrawCntrl	63	0	109	4	
028			Stop Rotar	63	0	110	5	
029			CleanNoise	63	0	111	3	
030			Walk'nBass	63	0	112	3	
031			Greasy	63	0	113	4	
032			Swishie	63	0	114	3	
033			Solo Perc	63	0	115	3	
034			Vib Perc	63	0	116	4	
035			Early Bird	63	0	123	4	
036			Alternator	63	0	127	3	
037			Tradi	63	1	2	4	
038	Petit	63	1	3	1			
039	Fluty	63	1	4	1			
040	Draw Organ	0	0	17	2			
041	Perc Organ	0	0	18	2			
042	Rock Organ	0	0	19	3			
Combo	043	1972	63	0	95	8		
	044	TnyCmboBr1	63	0	117	4		
	045	TnyCmboBr2	63	0	118	3		
	046	Panther	63	0	119	3		
	047	1967 Keys	63	0	120	1		
	048	YD-45C	63	0	121	3		
Pipe	049	Fluty Pipe	63	1	5	3		
	050	St. Peter	63	1	6	3		
	051	St. Paul	63	1	7	6		
	052	Impromptu	63	1	8	4		
	053	Mixture	63	1	9	3		
	054	Reed Split	63	1	10	4		
	055	Medieval	63	1	11	4		
	056	BreathPipe	63	1	12	4		
	057	Reedy Pipe	63	1	13	4		

Category (Main)	Category (Sub)	Number	Voice Name	MSB	LSB	PC	Polyphony	
ORG	Pipe	058	Sunday	63	1	14	4	
		059	Accordions	63	1	15	1	
		060	Church Org	0	0	20	3	
		061	Reed Organ	0	0	21	2	
		062	Accordion	0	0	22	1	
		063	Tango Acc	0	0	24	1	
	Synth	064	Dmnd Head	63	0	122	2	
		065	Moet	63	0	124	2	
		066	Bollinger	63	0	125	2	
067		Vinyl Org	63	0	126	2		
068	FlyRhyBrs	63	0	128	6			
Arp	069	Roundabout	63	1	1	1		
GTR	A.Gtr	001	Classical	63	1	50	1	
		002	HiTension	63	1	51	1	
		003	Sao Paulo	63	1	52	1	
		004	Barcelona	63	1	53	1	
		005	NylonSlide	63	1	54	2	
		006	NylonHrnc	63	1	55	2	
		007	Clsc12Str1	63	1	56	2	
		008	Clsc12Str2	63	1	57	2	
		009	HH Nylon	63	1	58	2	
		010	Steel Str	63	1	59	1	
		011	OldStrings	63	1	60	1	
		012	SteelSlide	63	1	61	1	
		013	MuteNSlide	63	1	62	1	
		014	SteelHrnc	63	1	63	3	
		015	HH Steel	63	1	64	3	
		016	Hi Strings	63	1	65	1	
		017	2Acoustics	63	1	66	2	
		018	2 Steel	63	1	67	2	
		019	Big 12Strs	63	1	68	2	
		020	Airy 12	63	1	69	2	
		021	12StrMono	63	1	70	2	
		022	ReznatrGtr	63	2	11	3	
		023	Nylon Gtr	0	0	25	1	
		024	Steel Gtr	0	0	26	1	
	E.Cln	025	ClnElc&Ac1	63	1	71	2	
		026	ClnElc&Ac2	63	1	72	2	
		027	ClnElc&Ac3	63	1	73	2	
		028	Strange 12	63	1	74	4	
		029	Jazzy Pick	63	1	75	2	
		030	MelodicJaz	63	1	76	2	
		031	FatOilJazz	63	1	77	1	
		032	Touch Wah	63	1	78	1	
		033	Baby	63	1	79	3	
		034	Good Night	63	1	80	1	
		035	DynClean	63	1	81	1	
		036	SingleCoil	63	1	82	2	
		037	Distant	63	1	83	4	
		038	CleanSlide	63	1	85	2	
		039	Hit It!	63	1	86	2	
		040	PaddyClean	63	1	87	2	
		041	BluesClean	63	1	88	1	
		042	2 Coil Amp	63	1	90	1	
		043	Roto Guitr	63	1	91	2	
		044	2 CoilSlide	63	1	92	2	
		045	2 CoilSlap	63	1	93	2	
		046	2 Coil 80s	63	1	94	1	
		047	2 CoilRotr	63	1	95	1	
		048	Elec12Str	63	1	96	3	
		049	RetrFing	63	1	99	2	
		050	VintgStrum	63	1	100	3	
		051	2Electrics	63	1	103	2	
		052	2 CoilCln	63	1	105	1	
		053	HIP Mute	63	2	4	2	
		054	PedalSteel	63	2	5	2	
		055	2Coil80s M	63	2	6	1	
		056	Jazz Gtr	0	0	27	2	
		057	Clean Gtr	0	0	28	1	
		058	Mute Gtr	0	0	29	1	
		E.Dst	059	Some Hair	63	1	84	3
			060	2 Coil '65	63	1	89	2
061	Rotator		63	1	97	2		

Category (Main)	Category (Sub)	Number	Voice Name	MSB	LSB	PC	Polyphony		
GTR	E.Dst	062	MiddyTrem	63	1	98	3		
		063	Spanky	63	1	101	2		
		064	Rockabilly	63	1	102	2		
		065	LightBlues	63	1	104	1		
		066	ChorusDist	63	1	106	2		
		067	Tex Boogie	63	1	107	3		
		068	59 Combo	63	1	108	2		
		069	Alt Rocker	63	1	109	2		
		070	OD M&H	63	1	110	1		
		071	Crnchd 376	63	1	111	3		
		072	DynamicAmp	63	1	112	3		
		073	ChugGuitar	63	1	113	2		
		074	Chugga	63	1	114	1		
		075	Small Amp	63	1	115	2		
		076	Metal Mute	63	1	116	2		
		077	Dist M&H	63	1	117	1		
		078	Cool Drive	63	1	118	3		
		079	Hard Drive	63	1	119	3		
		080	Hard Ramp	63	1	120	3		
		081	HeavyDrive	63	1	121	2		
		082	No.1 GTR	63	1	122	2		
		083	SnakeFngr	63	1	123	2		
		084	2 CoilBlue	63	1	124	2		
		085	OverTheTop	63	1	125	2		
		086	Voodoooman	63	1	126	2		
		087	KillerWhmy	63	1	127	3		
		088	LatinLover	63	1	128	1		
		089	2 Coil Hrm	63	2	1	3		
		090	CrunchyGtr	63	2	2	3		
		091	Beater	63	2	3	2		
		092	Mid Drive	63	2	7	3		
		093	Hard Rockr	63	2	8	3		
		094	Tough Tube	63	2	9	1		
		095	Drive Wah	63	2	10	4		
		096	OverdrvGtr	0	0	30	2		
		097	DistrtnGtr	0	0	31	2		
		098	Guitar Hrm	0	0	32	2		
		BAS	ABass	001	Velo Growl	63	2	12	2
				002	GrooveAcst	63	2	13	1
				003	Upright	63	2	14	2
				004	Acstc Bass	0	0	33	1
			EBass	005	PrcFlatWnd	63	2	15	1
				006	RoundWound	63	2	16	1
				007	Active P	63	2	17	2
				008	MidRange	63	2	18	2
				009	Active TRB	63	2	19	1
				010	Passive BB	63	2	20	1
				011	Vintage JB	63	2	21	1
012	StrtFngr			63	2	22	1		
013	JB FltWnd			63	2	23	1		
014	Finger PBs			63	2	24	1		
015	Prc Amped			63	2	25	2		
016	FngrBsAmp			63	2	26	2		
017	Fret Buzzy			63	2	27	2		
018	SmallCab			63	2	28	1		
019	SimplePick			63	2	29	1		
020	Pick Open			63	2	30	3		
021	Pick Mute			63	2	31	2		
022	Pick Pull			63	2	32	2		
023	StrtPick			63	2	33	2		
024	Velo Bass			63	2	34	1		
025	SlapSwitch			63	2	35	2		
026	FretlssDry			63	2	36	2		
027	FretlssSolo			63	2	37	2		
028	PBassFngr			63	2	38	2		
029	Fuzz Bass			63	2	39	3		
030	GnarlyBs			63	2	40	1		
031	BaCement			63	2	41	1		
032	CmbaDist			63	2	42	3		
033	5thFzzBass			63	2	43	4		
034	Chili Bass			63	2	44	3		
035	BigCabinet			63	2	45	3		
036	Hybrd Bs 1			63	2	46	3		

Category (Main)	Category (Sub)	Number	Voice Name	MSB	LSB	PC	Polyphony
BAS	EBass	037	Hybrd Bs 2	63	2	47	3
		038	FingerBass	0	0	34	2
		039	Pick Bass	0	0	35	2
		040	FretlessBs	0	0	36	1
		041	SlapBass 1	0	0	37	1
	042	SlpBs2 Vel	0	0	38	1	
	SynBs	043	3 VCOs	63	2	48	4
		044	Brain Bass	63	2	49	4
		045	Lo Boy	63	2	50	3
		046	Dark Bass	63	2	51	1
		047	RnBass	63	2	52	2
		048	Fundamentl	63	2	53	2
		049	Fat SineRz	63	2	54	3
		050	Moon Bass	63	2	55	1
		051	More Fatty	63	2	56	4
		052	Chill Bass	63	2	57	1
		053	Growler	63	2	58	2
		054	Smacked	63	2	59	2
		055	booooooom	63	2	60	2
		056	Biting	63	2	61	2
		057	Boogielgto	63	2	62	4
		058	Uni Punch	63	2	63	2
		059	Noise Bass	63	2	64	1
		060	SingOsc	63	2	65	1
		061	Unison	63	2	66	3
		062	Long Spit	63	2	67	2
		063	Big Bass	63	2	68	3
		064	Bass&EQ	63	2	69	4
		065	Rave Blade	63	2	70	2
		066	PlsticBass	63	2	71	3
		067	Funky Rez	63	2	72	3
		068	Phat Three	63	2	73	3
		069	Needl Bass	63	2	74	3
		070	Acidd	63	2	75	5
		071	Boom Bass	63	2	76	2
		072	West Coast	63	2	77	2
		073	Wazzo	63	2	78	2
		074	PWM Bass	63	2	79	2
		075	Bass Pedal	63	2	80	2
		076	Oxide	63	2	81	2
		077	Bowngo	63	2	82	2
		078	Wide SynBs	63	2	83	2
		079	Dry SynBs	63	2	84	1
		080	KickBass	63	2	85	3
		081	KeepDanc'n	63	2	86	2
		082	VeloMastr	63	2	87	1
		083	Wah Bass	63	2	88	1
		084	Pulse Step	63	2	89	2
		085	Phat Step	63	2	90	2
		086	OctvAnalog	63	2	91	2
		087	Sync Bass	63	2	92	1
		088	Sync Big	63	2	93	2
		089	Puncher	63	2	94	3
		090	Dark Comp	63	2	95	4
		091	Simpl Bass	63	2	96	2
		092	Fat Sine	63	2	97	4
		093	Kompressor	63	2	98	3
		094	Dark Uni	63	2	99	1
		095	Fight Bass	63	2	100	3
		096	Byon Bass	63	2	101	4
		097	One Voice	63	2	102	1
		098	Pro-Attack	63	2	103	2
		099	Bobby Bass	63	2	104	2
		100	Trance Bs	63	2	105	2
		101	ShrtSeqBs	63	2	106	1
		102	Lately	63	2	107	2
		103	FaaatPulse	63	2	108	3
		104	Short PWM	63	2	109	1
		105	Hyper Vel	63	2	110	2
		106	Deep Point	63	2	111	2
		107	Pulse Stop	63	2	112	1
		108	Oh Bee Bs	63	2	113	2
		109	Booming Bs	63	2	114	5

Category (Main)	Category (Sub)	Number	Voice Name	MSB	LSB	PC	Polyphony	
BAS	SynBs	110	Army Bass	63	2	115	2	
		111	PnchyDrone	63	2	116	2	
		112	Dee Tune	63	2	117	2	
		113	Chorus Pls	63	2	118	1	
		114	Sweeper	63	2	119	2	
		115	HouseOrgan	63	2	120	4	
		116	SynBass 1	0	0	39	2	
		117	SynBass 2	0	0	40	2	
		Arp	118	Data Run	63	2	121	1
			119	Sharp 3o3	63	2	122	2
			120	Shrt 303Sw	63	2	123	1
			121	Compu Bass	63	2	125	1
			122	SqueakerBs	63	2	126	1
			STR	Solo	001	Vln Solo 1	63	2
	002	Vln Solo 2			63	2	128	1
	003	Vla Solo 1			63	3	1	2
	004	Vla Solo 2			63	3	2	2
	005	Cello Solo			63	3	3	2
	006	Cello Duo			63	3	4	2
	007	Cb Solo 1			63	3	5	2
	008	Cb solo 2			63	3	6	2
	009	ElecViolin			63	3	57	1
010	Violin	0			0	41	2	
011	Viola	0			0	42	2	
012	Cello	0			0	43	1	
013	Contrabass	0			0	44	1	
Ensem	014	Quartet			63	3	7	4
	015	Small Sec			63	3	8	3
	016	Small Ens			63	3	9	3
	017	Almighty			63	3	10	4
	018	Med Sec			63	3	11	3
	019	Med Hall			63	3	12	4
	020	MedLrg Sec			63	3	13	2
	021	Quick Bows			63	3	14	4
	022	Aggressive			63	3	15	3
	023	Large Sec			63	3	16	3
	024	Octv Ens			63	3	17	4
	025	Full Chmbr			63	3	18	4
	026	Stryngs			63	3	19	4
	027	DynamikBow			63	3	20	4
	028	Trem Strs1			63	3	24	4
	029	TremStrsSm			63	3	25	4
	030	Ens Mix			63	3	28	2
	031	Lush			63	3	29	4
	032	BackGround			63	3	30	4
	033	Romantic			63	3	31	4
	034	Warm Back			63	3	32	3
	035	Stringy		63	3	33	4	
	036	BigStrings		63	3	34	4	
	037	Warm Big		63	3	43	3	
	038	Horn+Strs		63	3	55	4	
	039	AnalogEns		63	3	64	3	
040	TremStrs2	0		0	45	2		
041	Str Sec 1	0		0	49	2		
042	Str Sec 2	0		0	50	2		
Pizz	043	Symph Pizz		63	3	21	4	
	044	PluckyPizz		63	3	22	4	
	045	Octv Pizz		63	3	23	4	
	046	SpicatoLrg		63	3	26	4	
	047	Disco		63	3	27	4	
	048	BeautyHarp		63	3	67	1	
	049	StereoHrp		63	3	68	3	
	050	Pizzicato		0	0	46	2	
	051	Harp		0	0	47	1	
Synth	052	PWMStrings		63	3	35	3	
	053	MournStrs		63	3	36	3	
	054	VP Soft		63	3	37	2	
	055	PWM Simple		63	3	38	3	
	056	GlassyRez		63	3	39	4	
	057	SuperStrs		63	3	40	3	
	058	Light Pad		63	3	41	4	
	059	Noble Pad		63	3	42	3	
	060	Sentimentl		63	3	44	4	

Category (Main)	Category (Sub)	Number	Voice Name	MSB	LSB	PC	Polyphony	
STR	Synth	061	AnalogSwp	63	3	45	4	
		062	Phase Strs	63	3	46	3	
		063	Octv Strs	63	3	47	4	
		064	JP Strings	63	3	48	4	
		065	3OscStrs	63	3	49	3	
		066	SilvrStrs	63	3	50	2	
		067	StrMachine	63	3	51	3	
		068	3Octv Strs	63	3	52	3	
		069	TranceNtro	63	3	53	2	
		070	MysticTrnc	63	3	54	3	
		071	WW+Strings	63	3	56	4	
		072	TronViolin	63	3	58	4	
		073	TronStrs	63	3	59	3	
		074	TapeStrs	63	3	60	3	
		075	Orchestra	63	3	61	4	
		076	Vinyltron	63	3	62	4	
		077	AnalogStrs	63	3	63	3	
		078	Syn Strs 1	0	0	51	3	
		079	Syn Strs 2	0	0	52	3	
	Arp	080	PizzMatic	63	3	65	1	
		081	Amb Pizza	63	3	66	2	
	BRS	Solo	001	Trumpet 1	63	3	69	2
			002	TpRmntcLeg	63	3	70	2
			003	C Trumpet	63	3	71	1
			004	Baby Trump	63	3	72	2
			005	Brt Trump	63	3	73	2
			006	JazzLegato	63	3	74	2
			007	LegendMute	63	3	75	2
			008	JazzFlugel	63	3	76	2
009			Trombone 1	63	3	78	1	
010			BlowBoneLg	63	3	79	1	
011			Brt Tromb	63	3	80	2	
012			BigEzyBone	63	3	81	2	
013			FrenchHorn	63	3	82	1	
014			F.HornSolo	63	3	83	1	
015			Bass Tuba	63	3	84	2	
016			Trumpet 2	0	0	57	1	
017			Trombone 2	0	0	58	1	
018			Tuba	0	0	59	1	
019			Mute Trmp	0	0	60	1	
BrsEn		020	TrumpetSec	63	3	77	4	
		021	Bony Sec	63	3	86	4	
		022	AccMf-fail	63	3	96	4	
		023	Sm Brs Sec	63	3	97	2	
		024	MedBrs Sec	63	3	98	4	
		025	LotsOBrass	63	3	99	4	
		026	Bright Sec	63	3	100	4	
		027	Power Sec	63	3	101	5	
		028	ShinyBrass	63	3	102	4	
		029	Big Brass	63	3	103	4	
		030	Sforzando	63	3	104	4	
		031	SoftBrs&Sx	63	3	105	4	
		032	Big Band	63	3	106	5	
		033	SaxBigBand	63	3	107	4	
		034	Velo Falls	63	3	108	3	
		035	Lo-fi	63	3	113	1	
		036	Brass Sec	0	0	62	3	
Orche		037	Euphonium	63	3	85	3	
		038	F.Horn Sec	63	3	87	2	
		039	Horn+Bone	63	3	88	4	
		040	HrnBoneTrp	63	3	89	4	
		041	Orc Brass	63	3	90	2	
		042	Movie Hrns	63	3	91	4	
		043	Symphonic	63	3	92	4	
		044	Smooth Brs	63	3	93	5	
		045	Soft Brass	63	3	94	2	
		046	Dyn Brass	63	3	95	2	
		047	F. Horns	0	0	61	2	
Synth		048	Hybrd Sec	63	3	109	3	
		049	HybrdBrt	63	3	110	3	
		050	HybrdBrs	63	3	111	4	
		051	T Brass	63	3	112	2	
		052	QuietBrs	63	3	114	2	

Category (Main)	Category (Sub)	Number	Voice Name	MSB	LSB	PC	Polyphony		
BRS	Synth	053	Big Syn	63	3	115	2		
		054	Thinth	63	3	116	2		
		055	XP Brass	63	3	117	2		
		056	SmplSawBrs	63	3	118	4		
		057	Brassy	63	3	119	2		
		058	Kustom	63	3	120	3		
		059	After 1984	63	3	121	4		
		060	Finale	63	3	122	2		
		061	Huge CS80	63	3	123	2		
		062	CS-90	63	3	124	2		
		063	Ob Soft	63	3	125	4		
		064	Ob Horns	63	3	126	2		
		065	SlowPWMBrs	63	3	127	2		
		066	Soft5thBrs	63	3	128	3		
		067	SynBrass 1	0	0	63	3		
		068	SynBrass 2	0	0	64	3		
		WND	Sax	001	SopranoLeg	63	4	1	2
				002	SopranoStt	63	4	2	2
	003			AltoVibLeg	63	4	3	3	
	004			AltoLegato	63	4	4	1	
	005			Alto	63	4	5	3	
	006			Tenor Dyn	63	4	6	1	
	007			Tenor Soft	63	4	7	3	
	008			VelRingLeg	63	4	8	3	
	009			Tenor Ring	63	4	9	1	
	010			Baritone	63	4	10	1	
	011			Hip Bari	63	4	11	1	
	012			TenorSec	63	4	12	3	
	013			SaxOctvSec	63	4	13	4	
	014			MixdSaxSec	63	4	14	4	
	015			SopranoSax	0	0	65	3	
	016			Alto Sax	0	0	66	1	
	017			Tenor Sax	0	0	67	2	
	018			Bari Sax	0	0	68	1	
	Flute		019	Flute Leg	63	4	15	2	
			020	Sweet Flt	63	4	16	1	
			021	Wood Flute	63	4	17	2	
			022	2 Flutes	63	4	25	3	
			023	Flute+Clar	63	4	26	2	
			024	Tron Flute	63	4	33	3	
			025	Flootz	63	4	34	1	
			026	Piccolo	0	0	73	1	
			027	Flute	0	0	74	2	
			028	Panflute	0	0	76	1	
			029	Bottle	0	0	77	2	
			030	Shakuhachi	0	0	78	2	
	WWind	031	Clarinet 1	63	4	21	2		
		032	2Ob & Bsn	63	4	27	4		
		033	WW Quintet	63	4	28	4		
		034	Recorder	0	0	75	1		
		035	Whistle	0	0	79	2		
		036	Ocarina	0	0	80	2		
		037	Shehnai 2	0	0	112	1		
	RPipe	038	Oboe 1	63	4	18	3		
		039	Sweet Oboe	63	4	19	2		
		040	OboeSttLeg	63	4	20	1		
		041	Jz ClarLeg	63	4	22	1		
		042	Bassoon 1	63	4	23	2		
		043	Irish Pipe	63	4	24	1		
		044	GentleHarp	63	4	29	1		
		045	Woody Harp	63	4	30	1		
		046	BluzDistrt	63	4	31	2		
		047	Campfire	63	4	32	2		
		048	Harmonica	0	0	23	1		
	049	Oboe 2	0	0	69	1			
	050	Eng. Horn	0	0	70	1			
	051	Bassoon 2	0	0	71	1			
	052	Clarinet 2	0	0	72	1			
053	Bagpipe	0	0	110	2				
LD	Analg	001	Huge Lead	63	4	35	4		
		002	Bleep Lead	63	4	36	2		
		003	DtndVintg	63	4	37	2		
		004	Space Lead	63	4	38	2		

Category (Main)	Category (Sub)	Number	Voice Name	MSB	LSB	PC	Polyphony
LD	Analog	005	DualSqLead	63	4	39	2
		006	VintgSync	63	4	40	2
		007	Dirty Hook	63	4	41	2
		008	Nu Mini	63	4	42	3
		009	ProgRockLd	63	4	43	3
		010	Lucky	63	4	44	2
		011	Opening	63	4	45	2
		012	Rap Lead 1	63	4	46	1
		013	Mini Soft	63	4	47	2
		014	Feeling	63	4	48	1
		015	Early Lead	63	4	49	2
		016	Mr. Finger	63	4	51	2
		017	Singleline	63	4	52	2
		018	Soft RnB	63	4	53	1
		019	Wind Synth	63	4	54	3
		020	BrokenSine	63	4	55	1
		021	Duck Lead	63	4	56	1
		022	InDaNight	63	4	57	1
		023	Mayday	63	4	58	1
		024	On D Line	63	4	59	2
		025	EarlySolo	63	4	60	1
		026	Heterodyne	63	4	61	1
		027	Classic5th	63	4	62	3
		028	VintgSaw 1	63	4	63	3
		029	SquareLead	0	0	81	2
		030	Saw Lead	0	0	82	2
		031	CalliopeLd	0	0	83	2
		032	Chiff Lead	0	0	84	1
		033	Voice Lead	0	0	86	2
		034	Fifth Lead	0	0	87	2
		035	Bass&Lead	0	0	88	1
		036	FunkyPulse	63	4	50	1
		037	Mini Three	63	4	64	3
		038	Phat Dino	63	4	65	3
		039	DynMini	63	4	66	3
	040	PWM Lead	63	4	67	2	
	041	PulseWound	63	4	68	1	
	042	Think Sync	63	4	69	3	
	043	Punch Lead	63	4	70	2	
	044	Bright Saw	63	4	71	2	
	045	Trojan	63	4	72	3	
	046	Trojan 2	63	4	73	4	
	047	Wood Panel	63	4	74	2	
	048	Push Ahead	63	4	75	1	
	049	Eight	63	4	76	4	
	050	Sync Power	63	4	77	2	
	051	GlistenLd	63	4	78	4	
	052	Big Drone	63	4	79	4	
	053	Screameemy	63	4	80	2	
	054	FlangeFitr	63	4	81	2	
	055	Sutra	63	4	82	3	
	056	Sutra 2	63	4	83	3	
	057	Free LFO	63	4	84	1	
	058	Rap Lead 2	63	4	85	1	
	059	SpacePwrLd	63	4	86	2	
	060	Nyquist	63	4	87	2	
	061	Digital	63	4	88	1	
	062	SawDestroy	63	4	89	3	
	063	VintgSaw 2	63	4	90	4	
	064	Mady SQU	63	4	91	3	
	065	LowUnduln	63	4	92	4	
	066	CharanLead	0	0	85	2	
	067	Impact	63	4	93	3	
	068	Talk Mod	63	4	94	2	
	069	DgtlGngsta	63	4	95	1	
	070	PlasticSqz	63	4	96	2	
	071	Pinz Lead	63	4	97	1	
	072	DancySawLd	63	4	98	2	
	073	BuzzAround	63	4	99	3	
	074	XtremeWhl	63	4	100	2	
	075	Supertrnce	63	4	101	4	
	076	Poly Hook	63	4	102	2	
	077	HPF Dance	63	4	103	2	

Category (Main)	Category (Sub)	Number	Voice Name	MSB	LSB	PC	Polyphony
LD	Dance	078	Tekk Glide	63	4	104	2
		079	Growl Tekk	63	4	105	1
		080	PlukdChrdz	63	4	106	4
		081	Chordz	63	4	107	4
		082	Cool Body	63	4	108	4
		083	Twist Sync	63	4	109	2
		084	TEKIE	63	4	110	3
		085	Sonix	63	4	111	3
		086	BigHookLd1	63	4	112	4
		087	BigHookLd2	63	4	113	5
		088	Acid Fun	63	2	124	1
		089	PortaQueen	63	4	114	2
		090	RabbidDogs	63	4	115	3
		091	Champ	63	6	6	2
		001	Saw Pad	63	4	116	3
		002	DrkMod Pad	63	4	117	2
		003	AmbSyn pad	63	4	119	2
		004	5th Lite	63	4	120	3
		005	BPF Sweep	63	4	121	2
		006	High Wire	63	4	122	2
		007	Trance	63	4	123	2
		008	XtrmeSweep	63	4	124	2
		009	Square	63	5	15	2
		010	PolySynPad	0	0	91	2
		011	Dark Light	63	4	118	2
		012	Nu WarmPad	63	4	125	2
		013	5th Atmos	63	4	126	3
	014	Dim	63	4	127	1	
	015	Simple Air	63	4	128	2	
	016	NatureSine	63	5	1	2	
	017	Analog	63	5	2	2	
	018	Perc Pad	63	5	3	2	
	019	DrkAtmoPad	63	5	4	3	
	020	DrkOrganPd	63	5	5	2	
	021	Sft Brassy	63	5	6	2	
	022	Rd2Nowhere	63	5	7	3	
	023	Sweep Strs	63	5	8	4	
	024	BrassMtnPd	63	5	9	2	
	025	Luminous	63	5	10	3	
	026	WrmBackPd	63	5	12	2	
	027	Feather	63	5	13	3	
	028	Pan Sphere	63	5	14	4	
	029	EarlyDgtl	63	5	17	3	
	030	RemoteSpc	63	5	20	2	
	031	Fathoms	63	5	21	4	
	032	SY22 2007	63	5	22	1	
	033	MothrEarth	63	5	23	4	
	034	LandingPad	63	5	24	2	
	035	Humanity	63	5	26	2	
	036	Pensive	63	5	47	3	
	037	Warm Pad	0	0	90	2	
	038	Bowed Pad	0	0	93	2	
	039	Atmosphere	0	0	100	3	
	040	Shaper	63	5	16	2	
	041	Dramana	63	5	18	3	
	042	DreamShift	63	5	19	4	
	043	The Breath	63	5	25	4	
	044	FeatherPad	63	5	28	2	
	045	SlwAttckPd	63	5	29	2	
046	Hi Brite	63	5	30	4		
047	Pad & Syn	63	5	31	5		
048	CsmcSwlPad	63	5	32	3		
049	SweetFling	63	5	33	4		
050	Waterfall	63	5	34	4		
051	Phase Pad	63	5	35	3		
052	Pure Synth	63	5	36	2		
053	Pearls	63	5	37	3		
054	FlangeWall	63	5	38	1		
055	Tornado	63	5	39	2		
056	Ice Rink	63	5	40	5		
057	Turbulence	63	5	41	1		
058	Bell Pad	63	5	42	3		
059	Paradise	63	5	43	1		

Category (Main)	Category (Sub)	Number	Voice Name	MSB	LSB	PC	Polyphony
PAD	Brite	060	YelloRiver	63	5	44	4
		061	Love Me	63	5	45	4
		062	Frozen Pad	63	5	46	4
		063	NewAge Pad	0	0	89	2
		064	Metal Pad	0	0	94	2
		065	Halo Pad	0	0	95	2
		066	Sweep Pad	0	0	96	3
		067	SoundTrack	0	0	98	3
	068	Sci-Fi	0	0	104	2	
	Choir	069	MotherShip	63	5	11	2
		070	Vowel Pad	63	5	27	3
		071	Space Vox	63	5	48	3
		072	Haah Pad	63	5	49	3
		073	Oooh Pad	63	5	50	3
		074	Itopian	63	5	51	4
		075	Strs+Choir	63	5	52	3
		076	Angel Eyes	63	5	53	3
		077	GlassChoir	63	5	54	3
		078	Nativity	63	5	55	4
		079	Seraphim	63	5	56	4
		080	Aah Choir	0	0	53	2
		081	Ooh Choir	0	0	54	2
		082	Syn Voice	0	0	55	2
		083	Choir Pad	0	0	92	2
	Arp	084	AnalogShne	63	5	57	2
		085	CosmicGate	63	5	58	4
		086	Wild Horse	63	5	59	2
		087	HP Gate	63	5	60	2
		088	RhyFilter1	63	5	61	2
089		RhyFilter2	63	5	62	2	
CMP	Analog	001	P5 Rez Cmp	63	5	63	3
		002	P5 Analog	63	5	64	3
		003	CooTrance	63	5	65	4
		004	>Attack<	63	5	66	2
		005	ClubFinger	63	5	67	3
		006	Wobbly	63	5	68	2
		007	Ana Dayz	63	5	69	3
		008	Airy Nylon	63	5	70	4
		009	Prog Attk	63	5	71	2
		010	Oracle	63	5	72	3
	Digtl	011	Big Comp	63	5	73	4
		012	Rezz Punch	63	5	74	4
		013	Rez Clavi	63	5	75	1
		014	Straight	63	5	76	3
		015	PsychNoise	63	5	77	4
		016	SquiffyMis	63	5	78	3
		017	LektroCode	63	5	79	3
		018	HardFM Kys	63	5	80	2
		019	W Phaser	63	5	81	2
		020	DPCM Attk	63	5	82	2
		021	Talk	63	5	83	3
		022	Amp_Zplus	63	5	86	3
		023	TrnceAttk	63	5	87	3
		024	TeknoAttk	63	5	88	3
		025	PWM Perc	63	5	89	2
		026	Stabby	63	5	90	3
		027	Det Stab	63	5	91	3
		028	Corrado	63	5	92	5
	029	SynthetiQ	63	5	93	2	
	030	Noiz Rezz	63	5	94	3	
	031	Tuxedo	63	5	95	4	
	032	Queens	63	5	96	3	
	033	Hip Voice	63	5	97	2	
	034	HyperTrnce	63	5	102	4	
	035	CosmicPsc	63	5	103	6	
	036	Brightness	0	0	101	2	
Fade	037	GX1	63	5	98	3	
	038	NightWatch	63	5	99	3	
	039	PluckBells	63	5	100	3	
Hook	040	PwrDncChrd	63	5	101	3	
Arp	041	Digy_SEQ	63	5	84	3	
	042	NerveNasty	63	5	85	3	
	043	ChillChrds	63	5	104	2	

Category (Main)	Category (Sub)	Number	Voice Name	MSB	LSB	PC	Polyphony		
CMP	Arp	044	DrtyChordz	63	5	105	3		
		045	WildHorses	63	5	106	3		
		046	Sixpack	63	5	107	2		
		047	PercChords	63	5	108	2		
		048	Chordmastr	63	5	109	2		
		049	In Mirror	63	5	110	1		
		050	Together!	63	5	111	1		
		051	Happy Hour	63	5	112	2		
		052	Recycling	63	5	113	2		
		053	Dgtl Dream	63	5	114	4		
		054	Carpenter	63	5	115	1		
		055	E Games	63	5	116	1		
		056	DancnWaves	63	5	117	1		
		057	HitFactory	63	5	118	1		
		058	FreakyLoop	63	5	119	1		
		059	Mr. Wah!	63	5	120	1		
		060	ChillCmp 1	63	5	121	1		
		061	Kalimboidl	63	5	123	3		
		062	Bippus	63	5	124	2		
		063	VirtuosoSq	63	5	125	3		
		064	FatSaw Arp	63	5	126	2		
		065	TranceLine	63	5	127	1		
		066	MetalPlate	63	5	128	3		
		067	5th Dancer	63	6	1	2		
		068	Perc Seq	63	6	2	1		
		069	Simply Fat	63	6	3	2		
		070	BrightDnce	63	6	4	1		
		071	QuadroTune	63	6	5	4		
		CP	Malet	001	SftMarimba	63	1	16	1
				002	Vibes Bow	63	1	17	3
				003	EthncDream	63	1	38	2
				004	Celesta	0	0	9	1
				005	Glocken	0	0	10	1
				006	Vibes	0	0	12	2
				007	Marimba	0	0	13	2
				008	Xylophone	0	0	14	2
				009	Kalimba	0	0	109	2
			Bell	010	Twinkle	63	1	18	4
				011	Stick Bell	63	1	19	3
				012	Ice Bells	63	1	20	4
				013	Bell Ice	63	1	21	3
				014	J-Pop	63	1	23	3
				015	ChorusBell	63	1	24	2
				016	Handbell	63	1	25	2
				017	PopBlsPad	63	1	30	3
				018	Nibelungen	63	1	33	2
				019	Wood Bell	63	1	34	4
				020	Gamelan	63	1	37	2
				021	MysticBowl	63	1	39	2
				022	Tibetan	63	1	43	3
				023	LostInAsia	63	1	45	4
				024	TmpBelGlick	63	1	48	2
				025	Orc Perc	63	1	49	4
				026	Music Box	0	0	11	3
				027	Tube Bell	0	0	15	3
			028	Crystal	0	0	99	3	
			029	TinkleBell	0	0	113	2	
			SynBl	030	Stack Bell	63	1	22	4
				031	Bell Chiff	63	1	26	3
				032	Sako Bell	63	1	27	2
				033	Nice Bell	63	1	28	3
				034	Noisy Bell	63	1	29	3
				035	Digibox	63	1	32	3
				036	Marimbell	63	1	35	4
				037	IslandBell	63	1	42	3
				038	RimbaBells	63	1	44	3
			PDrum	039	SynStlDrm	63	1	36	3
				040	GlassMbira	63	1	41	4
				041	Kodo	63	1	47	1
				042	Dulcimer	0	0	16	2
				043	Timp+Cym	0	0	48	3
044	Agogo			0	0	114	1		
045	Steel Drum			0	0	115	2		

Category (Main)	Category (Sub)	Number	Voice Name	MSB	LSB	PC	Polyphony		
CP	PDrum	046	Woodblock	0	0	116	1		
		047	Taiko Drum	0	0	117	2		
		048	MelodicTom	0	0	118	1		
		049	Synth Drum	0	0	119	1		
	Arp	050	Heaven	63	1	31	3		
		051	RandomCoco	63	1	46	1		
DR	Drums	001	PwrStdKit1	63	32	1	-		
		002	PwrStdKit2	63	32	2	-		
		003	HypStdKit	63	32	3	-		
		004	DryStd Kit	63	32	4	-		
		005	ModRockKit	63	32	5	-		
		006	RckSteKit1	63	32	6	-		
		007	RckSteKit2	63	32	7	-		
		008	NuHH Kit 1	63	32	8	-		
		009	NuHH Kit 2	63	32	9	-		
		010	HipHopKit1	63	32	10	-		
		011	HipHopKit2	63	32	11	-		
		012	HipHopKit3	63	32	12	-		
		013	HipHopKit4	63	32	13	-		
		014	Stick Kit1	63	32	14	-		
		015	Stick Kit2	63	32	15	-		
		016	R&B Kit 1	63	32	16	-		
		017	R&B Kit 2	63	32	17	-		
		018	R&B Kit 3	63	32	18	-		
		019	Trance Kit	63	32	19	-		
		020	Psych Kit	63	32	20	-		
		021	ChilOutKit	63	32	21	-		
		022	Brush Kit	63	32	22	-		
		023	Jazz Kit	63	32	23	-		
		024	AnlgT9 Kit	63	32	25	-		
		025	AnlgT8 Kit	63	32	26	-		
		026	Tekno Kit	63	32	27	-		
		027	HouseKit 1	63	32	28	-		
		028	HouseKit 2	63	32	29	-		
		029	HousCmpKit	63	32	30	-		
		030	Big Kit	63	32	31	-		
		031	Break Kit	63	32	32	-		
		032	DnB Kit	63	32	33	-		
		033	Acid Kit	63	32	34	-		
		034	Jungle Kit	63	32	35	-		
		035	ElectrcKit	63	32	36	-		
		036	Human Kit	63	32	37	-		
		037	Hard Kit	63	32	38	-		
		038	DistrtKit	63	32	39	-		
		039	AmbientKit	63	32	40	-		
		040	Garage Kit	63	32	41	-		
		041	SynPop Kit	63	32	42	-		
		042	Orch Kit	63	32	43	-		
		043	DrmMachKit	63	32	44	-		
		044	RckMultKit	63	32	45	-		
		045	HH MutlKit	63	32	46	-		
		046	DanceKicks	63	32	54	-		
		047	ArabicMxd	63	32	55	-		
		048	Belly Kit	63	32	56	-		
		049	Dance Snrs	63	32	57	-		
		050	Synth Kit	63	32	59	-		
		051	St. GM Kit	127	0	1	-		
			Perc	052	Pop Latin	63	32	24	-
		053		Perc Kit	63	32	47	-	
		054		LatPercKit	63	32	48	-	
		055		Wacko Kit	63	32	49	-	
		056		WoodBitKit	63	32	50	-	
		057		MetlBlitKit	63	32	51	-	
		058		Hands Kit	63	32	52	-	
		059		Scratches	63	32	53	-	
		060		Spec SFXs	63	32	58	-	
		061		SFX Kit	63	32	60	-	
SFX	Move	001	Yellow Men	63	6	7	3		
		002	Metamorph	63	6	8	2		
		003	Perplex	63	6	9	2		
		004	OuterPinet	63	6	10	2		
		005	Industrial	63	6	11	2		
		006	SpaceWalkn	63	6	12	1		

Category (Main)	Category (Sub)	Number	Voice Name	MSB	LSB	PC	Polyphony	
SFX	Move	007	Scraper	63	6	13	1	
		008	Zero Two	63	6	14	3	
		009	Machines	63	6	15	1	
		010	Tobi Mage	63	6	16	3	
		011	Bitzz	63	6	17	1	
		012	Thexism	63	6	18	2	
		013	In My Head	63	6	19	4	
		014	ReverseCym	0	0	120	1	
		Ambie	015	Toda	63	6	20	3
		016	Water Tank	63	6	21	3	
		017	AutoTrapez	63	6	22	4	
		018	Nightmare	63	6	23	2	
		019	Find Newgt	63	6	24	3	
		Natur	020	Nile River	63	6	25	1
	021	NewAgeAtmo	63	6	26	4		
	022	Wind Blows	63	6	27	4		
	023	Fire!	63	6	28	4		
	024	Fret Noise	0	0	121	1		
	025	BreathNoiz	0	0	122	1		
	026	Seashore	0	0	123	2		
	027	Tweet	0	0	124	1		
	028	Telephone	0	0	125	1		
	029	Helicopter	0	0	126	2		
	030	Applause	0	0	127	2		
	031	Gunshot	0	0	128	1		
	SciFi	032	Scratching	63	6	29	2	
	033	Goa Psyche	63	6	30	1		
	034	BadWeather	63	6	31	2		
	035	RevsAudio	63	6	32	2		
	036	RadioStat	63	6	33	2		
	037	Modifier X	63	6	34	1		
	038	Surveil	63	6	35	1		
	039	Noise FX	63	6	36	1		
	040	SmplHldVnt	63	6	37	1		
	041	Lazerzz	63	6	38	2		
	042	uhohhrr	63	6	39	2		
	043	OnTheFritz	63	6	40	1		
	044	Argentina	63	6	45	4		
	045	Dragonfly	63	6	58	2		
	Arp	046	Scratch	63	6	41	1	
	047	T. Can Lid	63	6	42	4		
	048	Piston Eng	63	6	43	2		
	049	Waka Noize	63	6	44	4		
	MFX	Move	001	GateOfEden	63	6	46	4
			002	WavJourney	63	6	47	6
			003	Ghosts	63	6	48	4
			004	Nightrain	63	6	49	4
			005	MorningDew	63	6	50	3
			006	CallingRez	63	6	51	4
007			2 Switches	63	6	52	2	
008			CellDivide	63	6	53	1	
009			Jump Needl	63	6	54	1	
010			SEKAH-ISAN	63	6	55	3	
011			Setsunai	63	6	56	3	
012			Week End	63	6	57	3	
013			TiRiPAD	63	6	59	4	
014			Cluster	63	6	60	4	
015			XtremeRez	63	6	61	2	
016			Bit Space	63	6	62	3	
017			My Reality	63	6	63	4	
018			Waterproof	63	6	64	3	
019			Magnetics	63	6	65	4	
020			Sand	63	6	66	4	
021			Felicity	63	6	67	4	
022			Vibrancy	63	6	68	3	
023			Metalflake	63	6	69	1	
024			RadioVenus	63	6	70	3	
025			Elec Blue	63	6	71	2	
026			Chyo Ethno	63	6	72	4	
027			Metal Shpr	63	6	73	1	
028			Calculator	63	6	74	2	
029			konjoBEAM1	63	6	75	5	
030			konjoBEAM2	63	6	76	5	



Category (Main)	Category (Sub)	Number	Voice Name	MSB	LSB	PC	Polyphony
MFX	Move	031	konjoBEAM3	63	6	77	6
		032	Slip Ambnt	63	6	84	1
		033	Ellipsotrn	63	6	85	5
		034	Envelope	63	6	86	2
		035	Rain Pad	0	0	97	2
		036	Echoes	0	0	103	2
	Ambie	037	Blizzard	63	6	78	2
		038	SING BOWL	63	6	79	2
		039	Vektris	63	6	80	1
		040	MetalVoxPd	63	6	81	3
		041	Refraction	63	6	82	5
		042	Philanger	63	6	83	1
		043	Whatsis	63	6	87	3
		044	Pearl Coll	63	6	88	3
		045	4Dimention	63	6	89	2
		046	Visions	63	6	90	2
		047	Arctic Seq	63	6	91	1
		048	Drifting	63	6	92	4
		049	Electraid	63	6	93	5
		050	Bed Time	63	6	94	2
	Sweep	051	Clearing	63	6	95	2
		052	Long HiPa	63	6	96	4
		053	Quad Swell	63	6	97	3
		054	Goblin	0	0	102	4
	Hit	055	New Stab	63	6	98	4
		056	Vinyl Hit	63	6	99	4
		057	Hit Me	63	6	100	4
		058	Amb Bite	63	6	101	3
	Arp	059	Orc Hit	0	0	56	2
		060	ChillCmp 2	63	5	122	1
		061	Green Valy	63	6	102	2
		062	4Evr Glory	63	6	103	2
		063	ThinkOfYou	63	6	104	2
		064	Chord Fest	63	6	105	3
		065	ParistNite	63	6	106	2
		066	Way2UK	63	6	107	3
		067	ChillIbiza	63	6	108	2
		068	HeavenDoor	63	6	109	2
		069	Cocktail	63	6	110	2
		070	Vanilla	63	6	111	3
		071	IbizaGrv	63	6	112	3
		072	NylonChll	63	6	113	3
		073	XtremeHarp	63	6	114	2
		074	RainTrance	63	6	115	2
		075	Gtd Detune	63	6	116	2
		076	Gtd Choir	63	6	117	3
		077	Exotic	63	6	118	3
		078	Syncscrapr	63	6	119	2
		079	Ethnotic	63	6	120	3
		080	ComSat	63	6	121	2
		081	Investiktr	63	6	122	1
		082	MonkeyBars	63	6	123	2
		083	Chilltrnce	63	6	124	2
		084	RndmBeatz	63	6	125	1
		085	Elect Hood	63	6	126	1
		086	My Subs	63	6	127	3
		087	Mr.Sinistr	63	6	128	2
		088	Polyrhythm	63	7	1	4
		089	Blood Flow	63	7	2	3
		090	OnTheVerge	63	7	3	3
		091	Droid	63	7	4	2
		092	Worker Ant	63	7	5	4
		093	ChoppLingo	63	7	6	2
		094	Vinyl Beat	63	7	7	4
		095	Drop Zone	63	7	8	2
		096	Particle	63	7	9	2
		097	Simple Arp	63	7	10	1
		098	CyberCycle	63	7	11	1
		099	BollogPuls	63	7	12	4
		100	Octopus	63	7	13	2
		101	E. Beatz	63	7	14	1
		102	Dream'nOfU	63	7	15	2
		103	Bros & Sis	63	7	16	4

Category (Main)	Category (Sub)	Number	Voice Name	MSB	LSB	PC	Polyphony		
MFX	Arp	104	Pizza No.1	63	7	17	3		
		105	Electronix	63	7	18	2		
		106	TekkNow	63	7	19	3		
		107	Hollow Seq	63	7	20	1		
		108	Icicle	63	7	21	2		
		109	Jegog	63	7	22	1		
		110	OctoStrbe1	63	7	23	1		
		111	OctoStrbe2	63	7	24	1		
		112	Rndm Waves	63	7	25	1		
		113	Semar	63	7	26	2		
		114	Trailing	63	7	27	2		
		115	Dream Wnds	63	7	28	1		
		116	8ZDestruct	63	7	60	1		
		117	8Z Jarrin	63	7	61	1		
		118	8Z Romps	63	7	62	1		
		119	8Z Glitch	63	7	63	1		
		120	8ZOxidized	63	7	64	1		
		121	8ZDnB Mchn	63	7	65	2		
		122	8ZDownTemp	63	7	66	2		
		123	8ZErlyLoFi	63	7	67	1		
		124	8ZNoizXprs	63	7	68	1		
		125	8Z Trance	63	7	69	1		
		126	8ZRevrSbtz	63	7	70	1		
		127	8ZCrushDnc	63	7	71	1		
		128	8ZHevyHrts	63	7	72	1		
		129	8ZChillBrk	63	7	73	1		
		130	8ZGtdBeatz	63	7	74	1		
		131	8ZHHShaker	63	7	75	1		
		132	8ZBlipHop	63	7	76	1		
		133	8ZNstyGlch	63	7	77	1		
		134	8Z Scratch	63	7	78	1		
		135	8Z Tod	63	7	79	1		
		136	8Z Psyc 1	63	7	80	2		
		137	8Z Psyc 2	63	7	81	2		
		138	8Z Dub EI	63	7	82	1		
		ETH	Bowed	001	Kemence	63	7	29	2
				002	Kemen Wet	63	7	30	3
				003	Yayli	63	7	31	4
004	Kawala			63	7	32	1		
005	Fiddle			0	0	111	2		
Pluk	006			Mbira	63	1	40	4	
	007			Baglama	63	7	34	3	
	008			Kotoun	63	7	35	3	
	009			Kanun	63	7	36	2	
	010			Bouzuki	63	7	37	3	
	011		OudTremolo	63	7	38	1		
	012		SazFeeze	63	7	39	3		
	013		WhereAmI?	63	7	40	4		
	014		Sakura	63	7	41	3		
	015		Nomad	63	7	42	2		
	016		Pluk-o-dy	63	7	43	3		
	017		Tambura	63	7	44	2		
Struk	018		Sitar 1	63	7	45	2		
	019		Sitar 2	0	0	105	1		
	020		Banjo	0	0	106	1		
	021		Shamisen	0	0	107	1		
	022		Koto	0	0	108	2		
	023		Santur	63	7	33	2		
	024		Tabla Zone	63	7	46	1		
	025		Udu	63	7	47	2		
	026		Djembe	63	7	48	2		
	027		Dhol	63	7	49	2		
Blown	028		Khol	63	7	50	3		
	029		Ney	63	7	51	1		
	030		Zurna	63	7	52	1		
	031		Pungi	63	7	53	2		
	032		Shehnai 1	63	7	54	2		
	033		Didgeridoo	63	7	55	2		
	034		SnakeCharm	63	7	56	3		
Arp	035		MythicFit	63	7	57	4		
	036		Ethnology	63	7	58	4		
	037		Oztralian	63	7	59	3		

# Drum Kit Assign List

## PwrStdKit1

Note	Wave Name
C0	Clave
C#0	Sd Brush Soft St
D0	Sd Brush Swir St
D#0	Sd Brush Med St
E0	Sd Brush SwirAtt St
F0	Sd LiveRoll St
F#0	Castanet
G0	Sd PowerD 1St
G#0	Stick1
A0	Bd PowerB 2L
A#0	Sd PowerD 5St
B0	Bd PowerA 2L
C1	Bd Jazz2L
C#1	Sd PowerB SL
D1	Sd PowerC 1-5St
D#1	HandClap L
E1	Sd PowerD 1-5St
F1	Tom Power05 2L
F#1	HH Power ClTip 1-4R
G1	Tom Power05 2L
G#1	HH Power ClPedal R
A1	Tom Power04 2L
A#1	HH Power Open EdgeR
B1	Tom Power03 2R
C2	Tom Power03 2R
C#2	Crash2 L
D2	Tom Power01 2R
D#2	Ride1 L
E2	China L
F2	Ride Cup1 L
F#2	Tambourine1 Sw
G2	Splash R
G#2	Cowbell2
A2	Crash2 L
A#2	Vibraslap
B2	Ride2 L
C3	Bongo Hi 1Finger 1-2
C#3	Bongo Lo 1Finger 1-2
D3	Conga Hi SlapMute1-2
D#3	Conga Hi Open 1-2
E3	Conga Lo Open 1-2
F3	Timbale Hi1-3
F#3	Timbale Lo1-2
G3	Agogo Hi
G#3	Agogo Lo
A3	Cabasa1-2
A#3	Maracas Slur
B3	Whistle
C4	Whistle
C#4	Guiro Short
D4	Guiro Long
D#4	Clave
E4	Wood Block
F4	Wood Block
F#4	Cuica Hi
G4	Cuica Lo
G#4	Triangle Mute
A4	Triangle Open
A#4	Shaker 1/3
B4	Sleigh Bell
C5	Wind Chime
C#5	Sd Bld St3-4
D5	Sd Blues 3St
D#5	Sd Hip St1-2
E5	Sd Funk St2-3
F5	Sd Soul St3-4
F#5	Sd LdwHMono
G5	Sd Heavy
G#5	Sd Tight St3-4
A5	Sd BluesHeart St2-3
A#5	Bd Snap R2
B5	Bd Tight R2
C6	Bd Funk 2 R

## PwrStdKit2

Note	Wave Name
C0	Clave
C#0	Sd Brush Soft St
D0	Sd Brush Swir St
D#0	Sd Brush Med St
E0	Sd Brush SwirAtt St
F0	Sd LiveRoll St
F#0	Castanet
G0	Sd PowerA 1St
G#0	Stick1
A0	Bd PowerB 2L
A#0	Sd PowerA 5St
B0	Bd PowerA 2L
C1	Bd Jazz2L
C#1	Sd PowerB SL
D1	Sd PowerB 1-5St
D#1	HandClap L
E1	Sd PowerA 1-5St
F1	Tom Power05 2L
F#1	HH Power ClEgde1-4R
G1	Tom Power05 2L
G#1	HH Power ClPedal R
A1	Tom Power04 2L
A#1	HH Power Open EdgeR
B1	Tom Power03 2R
C2	Tom Power03 2R
C#2	Crash2 L
D2	Tom Power01 2R
D#2	Ride1 L
E2	China L
F2	Ride Cup1 L
F#2	Tambourine1 Sw
G2	Splash R
G#2	Cowbell2
A2	Crash2 L
A#2	Vibraslap
B2	Ride2 L
C3	Bongo Hi 1Finger 1-2
C#3	Bongo Lo 1Finger 1-2
D3	Conga Hi SlapMute1-2
D#3	Conga Hi Open 1-2
E3	Conga Lo Open 1-2
F3	Timbale Hi1-3
F#3	Timbale Lo1-2
G3	Agogo Hi
G#3	Agogo Lo
A3	Cabasa1-2
A#3	Maracas Slur
B3	Whistle
C4	Whistle
C#4	Guiro Short
D4	Guiro Long
D#4	Clave
E4	Wood Block
F4	Wood Block
F#4	Cuica Hi
G4	Cuica Lo
G#4	Triangle Mute
A4	Triangle Open
A#4	Shaker 1/3
B4	Sleigh Bell
C5	Wind Chime
C#5	Sd Bld St3-4
D5	Sd Blues 3St
D#5	Sd Hip St1-2
E5	Sd Funk St2-3
F5	Sd Soul St3-4
F#5	Sd LdwHMono
G5	Sd Heavy
G#5	Sd Tight St3-4
A5	Sd BluesHeart St2-3
A#5	Bd Snap R2
B5	Bd Tight R2
C6	Bd Funk 2 R

## HyprStdKit

Note	Wave Name
C0	Clave
C#0	Sd Brush Soft St
D0	Sd Brush Swir St
D#0	Sd Brush Med St
E0	Sd Brush SwirAtt St
F0	Sd LiveRoll St
F#0	Castanet
G0	Sd Normal 3St
G#0	Stick1
A0	Bd Funk Son L
A#0	Sd Basic St2-3
B0	Bd Snap R2
C1	Bd H Son L
C#1	Sd Closed Rim St
D1	Sd SonA St3-4
D#1	Clap T9
E1	Sd Tight St3-4
F1	Tom Floor L
F#1	HH Closed Foot R
G1	Tom Floor L
G#1	HH Half Open2 R
A1	Tom Low L
A#1	HH Open2 R
B1	Tom Low L
C2	Tom Mid R
C#2	Crash2 L
D2	Tom Hi R
D#2	Ride1 L
E2	China L
F2	Ride Cup1 L
F#2	Tambourine1 Sw
G2	Splash R
G#2	Cowbell2
A2	Crash2 L
A#2	Vibraslap
B2	Ride1 L
C3	Bongo Hi 1Finger 1-2
C#3	Bongo Lo 3Finger 1-2
D3	Conga Hi Tip
D#3	Conga Hi Open 2
E3	Tumba Open
F3	Timbale Hi1-3
F#3	Timbale Lo1-2
G3	Agogo Hi
G#3	Agogo Lo
A3	Cabasa1-2
A#3	Maracas Slur
B3	Whistle
C4	Whistle
C#4	Guiro Short
D4	Guiro Long
D#4	Clave
E4	Wood Block
F4	Wood Block
F#4	Cuica Hi
G4	Cuica Lo
G#4	Triangle Mute
A4	Triangle Open
A#4	Shaker 1
B4	Sleigh Bell
C5	Wind Chime
C#5	Sd Bld St3-4
D5	Sd Blues St2-3
D#5	Sd BluesHeart 3R
E5	Sd Hip St1-2
F5	Sd Normal St3-4
F#5	Sd LdwHMono
G5	Sd Soul St3
G#5	Sd Heavy
A5	Sd Funk 2St
A#5	Bd Normal 2L
B5	Bd Funk Son L
C6	Bd Snap R2

## DryStd Kit

Note	Wave Name
C0	Clave
C#0	Sd Brush Soft St
D0	Sd Brush Swir St
D#0	Sd Brush Med St
E0	Sd Brush SwirAtt St
F0	Sd LiveRoll St
F#0	Castanet
G0	Sd Normal 3St
G#0	Stick1
A0	Bd Funk 2 R
A#0	Sd Basic St2-3
B0	Bd High L
C1	Bd Normal 2L
C#1	Sd Closed Rim St
D1	Sd Normal St3-4
D#1	Clap T9
E1	Sd Basic 2St
F1	Tom Floor L
F#1	HH Closed 1-4R
G1	Tom Floor L
G#1	HH Pedal 3 R
A1	Tom Low L
A#1	HH Open 2R
B1	Tom Low L
C2	Tom Mid R
C#2	Crash2 L
D2	Tom Hi R
D#2	Ride1 L
E2	China L
F2	Ride Cup1 L
F#2	Tambourine1 Sw
G2	Splash R
G#2	Cowbell2
A2	Crash2 L
A#2	Vibraslap
B2	Ride1 L
C3	Bongo Hi 1Finger 1-2
C#3	Bongo Lo 3Finger 1-2
D3	Conga Hi Slp Open
D#3	Conga Hi Open 2
E3	Tumba Open
F3	Timbale Hi1-3
F#3	Timbale Lo1-2
G3	Agogo Hi
G#3	Agogo Lo
A3	Cabasa1-2
A#3	Maracas Slur
B3	Whistle
C4	Whistle
C#4	Guiro Short
D4	Guiro Long
D#4	Clave
E4	Wood Block
F4	Wood Block
F#4	Cuica Hi
G4	Cuica Lo
G#4	Triangle Mute
A4	Triangle Open
A#4	Shaker 1
B4	Sleigh Bell
C5	Wind Chime
C#5	Sd Bld St3-4
D5	Sd Blues 3L
D#5	Sd Hip St1-2
E5	Sd Funk St2-3
F5	Sd Soul St3-4
F#5	Sd LdwHMono
G5	Sd Heavy
G#5	Sd Tight St3-4
A5	Sd BluesHeart St2-3
A#5	Bd Snap R2
B5	Bd Tight R2
C6	Bd Funk 2 R

## ModRockKit

Note	Wave Name
C0	Clave
C#0	Sd Brush Soft St
D0	Sd Brush Swir St
D#0	Sd Brush Med St
E0	Sd Brush SwirAtt St
F0	Sd LiveRoll St
F#0	Castanet
G0	Sd Rock Open1 R
G#0	Stick1
A0	Bd Room1
A#0	Sd Strong St4
B0	Bd Jazz2L
C1	Bd Room3
C#1	Sd Rock Stick2 R
D1	Sd Strong St3-4
D#1	HipHop clap6
E1	Sd PowerA 1-5St
F1	Tom Floor L
F#1	HH Closed Rock Sw R
G1	Tom Low L
G#1	HH Half Open Rock R
A1	Tom Low L
A#1	HH Open Rock R
B1	Tom Mid R
C2	Tom Mid R
C#2	Crash1 L
D2	Tom Hi R
D#2	Ride2 L
E2	China L
F2	Ride Cup2 L
F#2	Tambourine1 Sw
G2	Splash R
G#2	Cowbell2
A2	Crash1 L
A#2	Vibraslap
B2	Ride Cup1 L
C3	Bongo Hi 1Finger 1-2
C#3	Bongo Lo 3Finger 1-2
D3	Conga Hi Tip
D#3	Conga Hi Open 2
E3	Tumba Open
F3	Timbale Hi1-3
F#3	Timbale Lo1-2
G3	Agogo Hi
G#3	Agogo Lo
A3	Cabasa1-2
A#3	Maracas Slur
B3	Whistle
C4	Whistle
C#4	Guiro Short
D4	Guiro Long
D#4	Clave
E4	Wood Block
F4	Wood Block
F#4	Cuica Hi
G4	Cuica Lo
G#4	Triangle Mute
A4	Triangle Open
A#4	Shaker 1
B4	Sleigh Bell
C5	Wind Chime
C#5	Sd Blues St2-3
D5	Sd Tight St3-4
D#5	Sd BluesHeart 3R
E5	Sd Tight 4R
F5	Bd Low L
F#5	Sd PowerC 4St
G5	Bd R&B1
G#5	Sd PowerB 1-5St
A5	Bd Room1
A#5	Sd PowerA 1-5St
B5	Bd Funk Son L
C6	Bd Room2

**RckSteKit1**

Note	Wave Name
C0	Analog Click
C#0	Sd Brush Soft St
D0	Sd Brush Swir St
D#0	Sd Brush Med St
E0	Sd Brush SwirAtt St
F0	Sd RockRoll St
F#0	Castanet
G0	Sd Rock Open2 R
G#0	Stick1
A0	Bd Room3
A#0	Sd Rock Rim1 R
B0	Bd Rock2 L
C1	Bd Rock1 L
C#1	Sd Rock Stick1 R
D1	Sd Rock Open1 R
D#1	HipHop clap3
E1	Sd Rock Mute1 R
F1	Tom Rock Low L
F#1	HH Closed Rock Sw R
G1	Tom Rock Low L
G#1	HH Pedal Rock Sw R
A1	Tom Rock Mid R
A#1	HH Open Rock Sw R
B1	Tom Rock Mid R
C2	Tom Rock Hi R
C#2	Crash1 L
D2	Tom Rock Hi R
D#2	Ride2 L
E2	China L
F2	Ride Cup2 L
F#2	Tambourine RX5
G2	Splash R
G#2	Cowbell1
A2	Crash1 L
A#2	Vibraslap
B2	Ride2 L
C3	Bongo Hi 1Finger 1-2
C#3	Bongo Lo 3Finger 1-2
D3	Conga Hi Tip
D#3	Conga Hi Open 2
E3	Tumba Open
F3	Timbale Hi1-3
F#3	Timbale Lo1-2
G3	Agogo Hi
G#3	Agogo Lo
A3	Cabasa1-2
A#3	Maracas Slur
B3	Whistle
C4	Whistle
C#4	Guiro Short
D4	Guiro Long
D#4	Clave
E4	Wood Block
F4	Wood Block
F#4	Cuica Hi
G4	Cuica Lo
G#4	Triangle Mute
A4	Triangle Open
A#4	Shaker 1
B4	Sleigh Bell
C5	Wind Chime
C#5	Sd Rock Flam R
D5	Sd Rock Open2 R
D#5	Sd Rock Rim2 R
E5	Sd Rock Mute2 R
F5	Bd Funk 2 R
F#5	Sd RockRollD St
G5	Bd H.Son L
G#5	Sd Tight St3-4
A5	Bd Funk 2 R
A#5	Sd SonA 3St
B5	Bd Funk 2 R
C6	Bd H.Son L

**RckSteKit2**

Note	Wave Name
C0	Analog Click
C#0	Sd Brush Soft St
D0	Sd Brush Swir St
D#0	Sd Brush Med St
E0	Sd Brush SwirAtt St
F0	Sd RockRoll St
F#0	Castanet
G0	Sd Rock Open2 R
G#0	Stick1
A0	Bd Room1
A#0	Sd Rock Rim2 R
B0	Bd Ambience R2
C1	Bd Rock2 L
C#1	Sd Rock Stick2 R
D1	Sd Rock Open2 R
D#1	HandClap L
E1	Sd Rock Mute2 R
F1	Tom Rock Low L
F#1	HH Closed Rock 2R
G1	Tom Rock Low L
G#1	HH Half Open Rock R
A1	Tom Rock Mid R
A#1	HH Open Rock R
B1	Tom Rock Mid R
C2	Tom Rock Hi R
C#2	Crash2 L
D2	Tom Rock Hi R
D#2	Ride2 L
E2	China L
F2	Ride Cup2 L
F#2	Tambourine RX5
G2	Splash R
G#2	Cowbell1
A2	Crash1 L
A#2	Vibraslap
B2	Ride2 L
C3	Bongo Hi 1Finger 1-2
C#3	Bongo Lo 3Finger 1-2
D3	Conga Hi Tip
D#3	Conga Hi Open 2
E3	Tumba Open
F3	Timbale Hi1-3
F#3	Timbale Lo1-2
G3	Agogo Hi
G#3	Agogo Lo
A3	Cabasa1-2
A#3	Maracas Slur
B3	Whistle
C4	Whistle
C#4	Guiro Short
D4	Guiro Long
D#4	Clave
E4	Wood Block
F4	Wood Block
F#4	Cuica Hi
G4	Cuica Lo
G#4	Triangle Mute
A4	Triangle Open
A#4	Shaker 1
B4	Sleigh Bell
C5	Wind Chime
C#5	Sd Rock Flam R
D5	Sd Rock Open1 R
D#5	Sd Rock Rim1 R
E5	Sd Rock Mute1 R
F5	Bd Rock1 L
F#5	Sd RockRollD St
G5	Bd Funk 2 R
G#5	Sd Tight St3-4
A5	Bd High L
A#5	Sd SonA 4St
B5	Bd L.Son L
C6	Bd Rock1 L

**NuHH Kit 1**

Note	Wave Name
C0	Bd HipHop2
C#0	Cabasa2
D0	Sd HipHop9
D#0	Scratch Lo R
E0	Scratch Vo F
F0	Sd RockRollD St
F#0	Clave
G0	Sd HipHop5
G#0	Sd HipHop Rim3
A0	Bd HipHop8
A#0	Sd HipHop Rim6
B0	Bd HipHop9
C1	Bd HipHop5
C#1	Sd HipHop Rim2
D1	Sd HipHop11
D#1	HipHop clap2
E1	Sd HipHop2
F1	Tom Floor L
F#1	HH Closed Hip
G1	Tom Low L
G#1	HH Pedal Hip
A1	Tom Mid R
A#1	HH Open Hip
B1	Tom Hi R
C2	Tom Hi R
C#2	Crash4
D2	Tom Hi R
D#2	Ride2 L
E2	Crash2 L
F2	Ride Mono
F#2	Tambourine1 Hit
G2	Hand Cymbal Open R
G#2	Mambo Body
A2	China L
A#2	Handbell L
B2	Ride Cup Mono2
C3	Conga Hi Slip Open
C#3	Conga Lo Open 1
D3	Conga Lo Tip
D#3	Conga Lo SlapOpen
E3	Conga Lo Open 2
F3	Bd HipHop4
F#3	HipHop clap3
G3	Agogo Hi
G#3	Agogo Lo
A3	Shaker 2
A#3	Shaker 1
B3	Bd HipHop10
C4	Bd HipHop6
C#4	Sd HipHop Rim4
D4	Sd HipHop6
D#4	HipHop Snap1
E4	Bd HipHop10
F4	Sd HipHop7
F#4	HipHop clap1
G4	Paila L
G#4	Triangle Mute
A4	Triangle Open
A#4	Tambourine1 Sw
B4	Shaker 2
C5	Bd HipHop8
C#5	Clap T9
D5	Sd T8-1
D#5	Sd T8-1
E5	Sd T8-4
F5	Tom T8
F#5	HH Closed T8-2
G5	Tom T8
G#5	HH Closed T8-2
A5	Tom T8
A#5	HH Open T8-2
B5	Tom T8
C6	Crash T8

**NuHH Kit 2**

Note	Wave Name
C0	Bd HipHop3
C#0	Hi Q2
D0	Scratch Hip2
D#0	Scratch Sd R
E0	Scratch Vo R
F0	Sd Break Roll
F#0	Sd T9Rim
G0	Sd HipHop2
G#0	Sd T8 Rim
A0	Bd HipHop9
A#0	Sd HipHop Rim1
B0	Bd HipHop6
C1	Bd HipHop5
C#1	Sd HipHop Rim2
D1	Sd HipHop1
D#1	HipHop clap6
E1	Sd HipHop9
F1	Tom T9 Lo
F#1	HH Closed Hip
G1	Tom T9 Lo
G#1	HH Pedal Hip
A1	Tom T9 Hi
A#1	HH Open Hip
B1	Tom T9 Hi
C2	Tom T8
C#2	Crash3
D2	Tom T8
D#2	Ride T9
E2	Ride T9
F2	Crash Brush Cup L
F#2	Tambourine RX5
G2	Crash Syn
G#2	Cowbell AnCR
A2	Crash T9
A#2	MetalGuiro Long
B2	Ride Mono
C3	Cajon Tip 1-2
C#3	Bongo Lo Tip
D3	Tmbourim Finger
D#3	Tumbo 2
E3	Tumba Heel
F3	Paila H
F#3	Paila L
G3	Cowbell T8
G#3	Cowbell AnCR
A3	Shekere Up
A#3	Caxixi1
B3	Grain2 R
C4	Grain2 R
C#4	Cajon Tip 1
D4	HipHop clap7
D#4	Clave
E4	Wood Block
F4	Sd HipHop Rim4
F#4	HipHop Snap1
G4	HipHop Snap2
G#4	Electric Triangle
A4	Triangle Open
A#4	Shaker 1
B4	MetalGuiro Long
C5	Wind Chime
C#5	Sd HipHop Rim4
D5	Sd T8-1
D#5	Sd T8-2
E5	Sd T8-4
F5	Tom T8
F#5	HH Closed T8-2
G5	Tom T8
G#5	HH Closed T8-2
A5	Tom T8
A#5	HH Open T8-2
B5	Tom T8
C6	HipHop flex1

**HipHopKit1**

Note	Wave Name
C0	Sd Hip Stick2
C#0	Vox Hit Rev
D0	TurnTable
D#0	Hit Brass
E0	Scratch Sd R
F0	Sd LiveRoll R
F#0	Clave T8
G0	Sd Hip 2R
G#0	Sd Hip Stick6 R
A0	Bd HipHop9
A#0	Sd Garg L
B0	Bd T8-3
C1	Bd T9-1
C#1	Sd HipHop Rim3
D1	Sd HipHop10
D#1	HipHop clap6
E1	Sd HipHop1
F1	Tom T8
F#1	HH Closed T8-1
G1	Tom T8
G#1	HH Open T8-1
A1	Tom T8
A#1	HH Open T8-1
B1	Tom T8
C2	Tom T8
C#2	Crash4
D2	Tom T8
D#2	Ride Brush1 L
E2	Crash T8
F2	Ride T9
F#2	Tambourine RX5
G2	Splash R
G#2	Mambo Body
A2	Crash T9
A#2	Vibraslap
B2	Ride T9
C3	Bongo Hi 1Finger 1-2
C#3	Bongo Lo 3Finger 1-2
D3	Conga Hi Tip
D#3	Conga Hi Open 2
E3	Tumba Open
F3	Timbale Hi1-3
F#3	Timbale Lo1-2
G3	Agogo Hi
G#3	Agogo Lo
A3	Cabasa1-2
A#3	Maracas Slur
B3	Whistle
C4	Whistle
C#4	Guiro Short
D4	Guiro Long
D#4	Clave
E4	Wood Block
F4	Wood Block
F#4	Cuica Hi
G4	Cuica Lo
G#4	Triangle Mute
A4	Triangle Open
A#4	Shaker 1
B4	Sleigh Bell
C5	Wind Chime
C#5	Sd Hip Stick8
D5	Sd Jungle3
D#5	HandClap L
E5	Sd Hip Rim5
F5	Scratch H
F#5	Scratch L
G5	Scratch Down
G#5	Scratch Hi R
A5	Scratch Bd F
A#5	Scratch Combi
B5	Scratch Vo R
C6	Bd Break2

HipHopKit2

Note	Wave Name
C0	Bd T8-3
C#0	Sd T8 Rim
D0	Sd Hip1
D#0	Clap T9
E0	Sd Syn
F0	Sd LiveRoll R
F#0	Sd Hip Stick4
G0	Sd HipHop2
G#0	Sd HipHop Rim6
A0	Bd Hip Deep
A#0	Sd R&B1 Rim
B0	Bd Break Heavy
C1	Bd Hip Deep
C#1	Sd HipHop Rim2
D1	Sd Hip3
D#1	HandClap L
E1	Sd Lo-Fi
F1	Tom Floor R
F#1	HH Closed Lo-Fi
G1	Tom Low L
G#1	HH Closed Break
A1	Tom Low L
A#1	HH Open Lo-Fi
B1	Tom Low L
C2	Tom Hi L
C#2	Crash3
D2	Tom Hi L
D#2	Ride T9
E2	China2
F2	Ride Cup Mono
F#2	Tambourine RX5
G2	Crash3
G#2	Cowbell RX11
A2	Crash2 R
A#2	Cowbell T8
B2	Ride T9
C3	Bongo Hi 1Finger 1-2
C#3	Bongo Lo 3Finger 1-2
D3	Conga Hi Tip
D#3	Conga Hi Slip Open
E3	Conga Hi Open 2
F3	Radio Noise
F#3	Radio Noise
G3	Agogo Lo
G#3	Agogo Lo
A3	Shaker Cabasa1
A#3	MaracasT8
B3	FxGun2
C4	FxGun1
C#4	Scratch Spin
D4	Scratch Stop
D#4	Clave T8
E4	Door Squeak
F4	Hi Q2
F#4	Scratch Bd F
G4	Scratch Bd R
G#4	Triangle Mute
A4	Triangle Open
A#4	Analog Shaker
B4	Tambourine1 Hit
C5	Wind Chime
C#5	Sd Human2
D5	Sd Break Roll
D#5	Stab Hard
E5	Sd Jungle1
F5	Bd Rock1 L
F#5	Scratch Down
G5	Wataiko
G#5	HH Hit
A5	Stab Organ2
A#5	Sonar1
B5	TurnTable
C6	Police

HipHopKit3

Note	Wave Name
C0	Sd T8 Rim
C#0	Vox Hit Rev
D0	TurnTable
D#0	Stab Hard
E0	Scratch Vo R
F0	Sd Roll Mono
F#0	Clave T8
G0	Sd Hip 1R
G#0	Sd Hip Stick4
A0	Bd AnCR
A#0	Sd Hip Rim3
B0	Bd T9-3
C1	Bd Hip Deep
C#1	Sd Hip Stick5
D1	Sd Hip Gate
D#1	HipHop clap6
E1	Sd Lo-Fi
F1	Tom T8
F#1	HH Closed Hip
G1	Tom T8
G#1	HH Pedal Hip
A1	Tom T8
A#1	HH Open Hip
B1	Tom T8
C2	Tom T8
C#2	Crash4
D2	Tom T8
D#2	Ride2 L
E2	Crash T8
F2	Ride T9
F#2	Tambourine RX5
G2	Splash R
G#2	Mambo Body
A2	Crash T9
A#2	Vibraslap
B2	Ride T9
C3	Bongo Hi 1Finger 1-2
C#3	Bongo Lo 3Finger 1-2
D3	Conga Hi Tip
D#3	Conga Hi Slip Open
E3	Conga Hi Open 2
F3	Timbale Hi1-3
F#3	Timbale Lo1-2
G3	Agogo Hi
G#3	Agogo Lo
A3	Shaker Hip1
A#3	Maracas Slur
B3	Whistle
C4	Whistle
C#4	Guiro Short
D4	Guiro Long
D#4	Clave
E4	Wood Block
F4	Wood Block
F#4	Cuica Hi
G4	Cuica Lo
G#4	Triangle Mute
A4	Triangle Open
A#4	Shaker 1
B4	Sleigh Bell
C5	Wind Chime
C#5	Sd Hip Stick1
D5	Sd Jungle1
D#5	HandClap L
E5	Sd Break Heavy
F5	Scratch L
F#5	Scratch Down
G5	Scratch Hi F
G#5	Scratch Lo F
A5	Scratch Lo R
A#5	Scratch Bd F
B5	Scratch Bd R
C6	Bd Break Heavy

HipHopKit4

Note	Wave Name
C0	Sd Hip Stick1
C#0	Hi Q1
D0	TurnTable
D#0	Hit Uhh
E0	Scratch Stop
F0	Sd LiveRoll L
F#0	Clave T8
G0	Sd Cut
G#0	Sd Rock Stick1 R
A0	Bd T9-2
A#0	Sd Hip Rim1
B0	Bd R&B2
C1	Bd Break Deep
C#1	Sd Closed Rim3
D1	Sd Hip Rim2
D#1	HipHop clap4
E1	Sd R&B1
F1	Conga T8
F#1	HH Closed T8-1
G1	Conga T8
G#1	HH Closed T8-2
A1	Conga T8
A#1	HH Open T8-2
B1	Conga T8
C2	Conga T8
C#2	Crash4
D2	Conga T8
D#2	Ride2 L
E2	Crash T8
F2	Ride T9
F#2	Tambourine RX5
G2	Splash R
G#2	Mambo Body
A2	Crash T9
A#2	Vibraslap
B2	Ride T9
C3	Bongo Hi 1Finger 1-2
C#3	Bongo Lo 3Finger 1-2
D3	Conga Hi Tip
D#3	Conga Hi Open 2
E3	Tumba Open
F3	Timbale Hi1-3
F#3	Timbale Lo1-2
G3	Agogo Hi
G#3	Agogo Lo
A3	Cabasa1-2
A#3	Maracas Slur
B3	Whistle
C4	Whistle
C#4	Guiro Short
D4	Guiro Long
D#4	Clave
E4	Wood Block
F4	Wood Block
F#4	Cuica Hi
G4	Cuica Lo
G#4	Triangle Mute
A4	Triangle Open
A#4	Shaker 1
B4	Sleigh Bell
C5	Wind Chime
C#5	Sd Closed Rim R
D5	Sd AnSm Rim
D#5	HandClap L
E5	Sd Hip3
F5	Scratch Sd R
F#5	Scratch Hip
G5	Scratch Bd R
G#5	Scratch Vo R
A5	Scratch Hip2
A#5	Scratch Combi2
B5	Scratch Combi4
C6	Bd Hip Deep

Stick Kit1

Note	Wave Name
C0	Sd Hip Rim4
C#0	Hi Q1
D0	TurnTable
D#0	Hit Orchestra1
E0	Scratch Bd R
F0	Sd LiveRoll R
F#0	Analog Click
G0	Sd Hip Rim3
G#0	Sd AnCR Rim
A0	Bd HipHop9
A#0	Sd HipHop Rim6
B0	Bd T8-3
C1	Bd T8-2
C#1	Sd T8 Rim
D1	Sd Hip Stick4
D#1	HandClap L
E1	Sd Hip Stick3
F1	Tom T8
F#1	HH Closed T8-1
G1	Tom T8
G#1	HH Open T8-1
A1	Tom T8
A#1	HH Open T8-1
B1	Tom T8
C2	Tom T8
C#2	Crash4
D2	Tom T8
D#2	Ride2 L
E2	Crash T8
F2	Ride T9
F#2	Tambourine RX5
G2	Splash R
G#2	Mambo Body
A2	Crash T9
A#2	Vibraslap
B2	Ride T9
C3	Bongo Hi 1Finger 1-2
C#3	Bongo Lo 3Finger 1-2
D3	Conga Hi Tip
D#3	Conga Hi Open 2
E3	Tumba Open
F3	Timbale Hi1-3
F#3	Timbale Lo1-2
G3	Agogo Hi
G#3	Agogo Lo
A3	Cabasa1-2
A#3	Maracas Slur
B3	Whistle
C4	Whistle
C#4	Guiro Short
D4	Guiro Long
D#4	Clave
E4	Wood Block
F4	Wood Block
F#4	Cuica Hi
G4	Cuica Lo
G#4	Triangle Mute
A4	Triangle Open
A#4	Shaker 1
B4	Sleigh Bell
C5	Wind Chime
C#5	Sd AnSm
D5	Sd Closed Rim3
D#5	Analog Click
E5	Sd Closed Rim2
F5	Scratch H
F#5	Scratch L
G5	Scratch Down
G#5	Scratch Hi R
A5	Scratch Bd F
A#5	Scratch Combi
B5	Scratch Vo R
C6	Bd Jungle2

Stick Kit2

Note	Wave Name
C0	Sd Hip Rim3
C#0	Hi Q2
D0	Scratch H
D#0	Scratch H
E0	Scratch Vo R
F0	Sd Roll Mono
F#0	Analog Click
G0	Sd Hip Rim4
G#0	Sd T8 Rim
A0	Bd HipHop9
A#0	Sd Hip Stick4
B0	Bd Hard Long
C1	Bd ElecClick
C#1	Sd Hip Stick1
D1	Sd Hip Stick2
D#1	HipHop clap8
E1	Sd Hip Stick6 R
F1	Tom T9 Lo
F#1	HH Closed T8-1
G1	Tom T9 Lo
G#1	HH Open T8-1
A1	Tom T9 Lo
A#1	HH Open T8-1
B1	Tom T9 Lo
C2	Tom T9 Lo
C#2	Crash T9
D2	Tom T9 Lo
D#2	Ride1 L
E2	Crash T8
F2	Ride Cup Mono2
F#2	Electric Tambourine2
G2	Splash R
G#2	Cowbell T8
A2	Crash T9
A#2	Vibraslap
B2	Crash Syn
C3	Bongo Hi 1Finger 1-2
C#3	Bongo Lo 3Finger 1-2
D3	Conga Hi Tip
D#3	Conga Hi Open 2
E3	Tumba Open
F3	Timbale Hi1-3
F#3	Timbale Lo1-2
G3	Agogo Hi
G#3	Agogo Lo
A3	Cabasa1-2
A#3	Maracas Slur
B3	Whistle
C4	Whistle
C#4	Guiro Short
D4	Guiro Long
D#4	Clave
E4	Wood Block
F4	Wood Block
F#4	Cuica Hi
G4	Cuica Lo
G#4	Triangle Mute
A4	Triangle Open
A#4	Shaker 1
B4	Sleigh Bell
C5	Wind Chime
C#5	Sd T8 Rim
D5	Sd Hip Stick1
D#5	Sd Hip Stick2
E5	Sd Closed Rim2
F5	Scratch Down
F#5	Scratch Hi F
G5	Scratch Lo F
G#5	Scratch Lo R
A5	Scratch Bd R
A#5	Scratch Combi
B5	Scratch Stop
C6	Bd HipHop8

**R&B Kit 1**

Note	Wave Name
C0	Bd T9 Hd3
C#0	Sd AnCR
D0	Sd AnSm Rim
D#0	Sd ClapAna
E0	Sd T9Gate
F0	Sd Roll Mono
F#0	Sd Timbr
G0	Sd FM Rim
G#0	Sd JungleFX
A0	Bd T9-4
A#0	Sd Hip Rim5
B0	Bd T9-3
C1	Bd Elec2
C#1	Sd R8 Rim
D1	Sd Lo-Fi
D#1	HipHop clap2
E1	Sd R&B1
F1	Bd T8-3
F#1	HH Closed T9
G1	Bd T8-3
G#1	HH Pedal Hip
A1	Bd T8-3
A#1	HH Open T9
B1	Bd T8-3
C2	Bd T8-3
C#2	Crash1 L
D2	Bd T8-3
D#2	Ride2 L
E2	China2
F2	Ride Cup Mono
F#2	Tambourine1 Hit
G2	Crash3
G#2	Cowbell1
A2	Crash1 L
A#2	Cowbell T8
B2	Ride1 L
C3	Bongo Hi 1Finger 1-2
C#3	Bongo Lo 3Finger 1-2
D3	Conga Hi Tip
D#3	Conga Hi Slp Open
E3	Conga Hi Open 2
F3	Hi Q1
F#3	Hi Q1
G3	Agogo Lo
G#3	Agogo Lo
A3	Analog Shaker
A#3	Maracas Slur
B3	Vox Drum
C4	Vox Drum
C#4	Hi Q1
D4	Hi Q2
D#4	Clave T8
E4	Hi Q1
F4	Scratch Spin
F#4	Scratch Hi R
G4	Scratch Hi F
G#4	Triangle Mute
A4	Triangle Open
A#4	Shaker 2
B4	Tambourine1 Hit
C5	Wind Chime
C#5	Sd Break Roll
D5	Noise Burst
D#5	Vox Bell
E5	Sd R&B1
F5	VoxAlk
F#5	Udu High
G5	Trance Choir
G#5	Swarm
A5	Bd Pop
A#5	Sd R&B1 Rim
B5	Bd R&B2
C6	Crash3

**R&B Kit 2**

Note	Wave Name
C0	Bd T9-1
C#0	Sd AnCR Rim
D0	Sd Hip Gate
D#0	Sd Break Roll
E0	Sd T9-2
F0	Sd LiveRoll St
F#0	HipHop Snap2
G0	Sd HipHop9
G#0	Sd HipHop Rim2
A0	Bd HipHop5
A#0	Sd Hip Rim4
B0	Bd T9-1
C1	Bd T8-2
C#1	Sd HipHop Rim1
D1	HipHop Snap2
D#1	HipHop clap8
E1	Sd T8-5
F1	Tom T8
F#1	HH Closed T8-1
G1	Tom T8
G#1	HH Open T8-1
A1	Tom T8
A#1	HH Open T8-1
B1	Tom T8
C2	Tom T8
C#2	Crash1 L
D2	Tom T8
D#2	Ride2 L
E2	China2
F2	Ride Cup Mono
F#2	Tambourine1 Hit
G2	Crash3
G#2	Cowbell1
A2	Crash1 L
A#2	Cowbell T8
B2	Ride1 L
C3	Bongo Hi 1Finger 1-2
C#3	Bongo Lo 3Finger 1-2
D3	Conga Hi Tip
D#3	Conga Hi Slp Open
E3	Conga Hi Open 2
F3	Hi Q1
F#3	Hi Q1
G3	Agogo Lo
G#3	Agogo Lo
A3	Analog Shaker
A#3	Maracas Slur
B3	Vox Drum
C4	Vox Drum
C#4	Hi Q1
D4	Hi Q2
D#4	Clave T8
E4	Hi Q1
F4	Scratch Spin
F#4	Scratch Hi R
G4	Scratch Hi F
G#4	Triangle Mute
A4	Triangle Open
A#4	Shaker 2
B4	Tambourine1 Hit
C5	Wind Chime
C#5	Sd Break Roll
D5	Noise Burst
D#5	Vox Bell
E5	Sd R&B1
F5	VoxAlk
F#5	Udu High
G5	Trance Choir
G#5	Swarm
A5	Bd Pop
A#5	Sd R&B1 Rim
B5	Bd R&B2
C6	Crash3

**R&B Kit 3**

Note	Wave Name
C0	Bd T9 Hd2
C#0	Sd AnCR
D0	Sd Break2
D#0	Sd Break Roll
E0	Sd T9Gate
F0	Sd Roll Mono
F#0	HipHop Snap2
G0	Sd HipHop2
G#0	Sd HipHop Rim3
A0	Bd T9-2
A#0	Sd Hip Rim3
B0	Bd T9-1
C1	Bd T8-2
C#1	Sd HipHop Rim3
D1	Sd R&B1
D#1	HipHop clap6
E1	Sd Hip Gate
F1	Tom T9 Lo
F#1	HH Closed T9
G1	Tom T9 Lo
G#1	HH Open T9
A1	Tom T9 Lo
A#1	HH Open T9
B1	Tom T9 Lo
C2	Tom T9 Hi
C#2	Crash1 L
D2	Bd T8-3
D#2	Ride2 L
E2	China2
F2	Ride Cup Mono
F#2	Tambourine1 Hit
G2	Crash3
G#2	Cowbell1
A2	Crash1 L
A#2	Cowbell T8
B2	Ride1 L
C3	Bongo Hi 1Finger 1-2
C#3	Bongo Lo 3Finger 1-2
D3	Conga Hi Tip
D#3	Conga Hi Slp Open
E3	Conga Hi Open 2
F3	Hi Q1
F#3	Hi Q1
G3	Agogo Lo
G#3	Agogo Lo
A3	Analog Shaker
A#3	Maracas Slur
B3	Vox Drum
C4	Vox Drum
C#4	Hi Q1
D4	Hi Q2
D#4	Clave T8
E4	Hi Q1
F4	Scratch Spin
F#4	Scratch Hi R
G4	Scratch Hi F
G#4	Triangle Mute
A4	Triangle Open
A#4	Shaker 2
B4	Tambourine1 Hit
C5	Wind Chime
C#5	Sd Break Roll
D5	Noise Burst
D#5	Vox Bell
E5	Sd R&B1
F5	VoxAlk
F#5	Udu High
G5	Trance Choir
G#5	Swarm
A5	Bd Pop
A#5	Sd R&B1 Rim
B5	Bd R&B2
C6	Crash3

**Trance Kit**

Note	Wave Name
C0	Bd T9-2
C#0	Sd AnSm Rim
D0	Sd Elec9
D#0	Clap AnSm
E0	Sd Elec7
F0	Sd Elec11
F#0	Sd Elec7
G0	Sd T8-1
G#0	Sd T9-5
A0	Bd T9 Hd2
A#0	Sd Elec12
B0	Bd T9 Hd3
C1	Bd Hard Long
C#1	Sd T9Rim
D1	Sd Elec5
D#1	Clap T9
E1	Sd T9-2
F1	Sd Syn
F#1	HH Closed T9
G1	Sd Syn
G#1	HH Open T9
A1	Sd Syn
A#1	HH Open T9
B1	Sd Syn
C2	Sd Syn
C#2	Crash T9
D2	Sd Syn
D#2	Ride T9
E2	Crash Syn
F2	Ride Cup Mono
F#2	Tambourine1 Hit
G2	Crash T8
G#2	Cowbell T8
A2	China L
A#2	Cowbell T8
B2	Ride1 L
C3	Bongo Hi 1Finger 1-2
C#3	Bongo Lo 3Finger 1-2
D3	Conga Hi Slap
D#3	Conga Hi Slp Open
E3	Conga Hi Open 2
F3	Tom Syn1
F#3	Tom Syn1
G3	Analog Click
G#3	Noise Burst
A3	Cabasa2
A#3	Maracas Slur
B3	Neo Seq Em-3
C4	Neo Seq2 Em-5
C#4	Electric Perc1
D4	Shaker Hip1
D#4	Clave T8
E4	Tambourine RX5
F4	Cowbell RX11
F#4	Shaker Hip2
G4	Electric Perc10
G#4	Triangle Mute
A4	Triangle Open
A#4	Shaker Hip4
B4	Zap2
C5	Bd HipHop8
C#5	Bd T9 Hd1
D5	Bd ElecComp3
D#5	Bd T9-1
E5	Bd T9 Hd3
F5	Bd Hard Long
F#5	HH Closed T8-1
G5	Bd ElecComp2
G#5	HH Open T8-2
A5	Bd T9 Hd1
A#5	HH Open T8-1
B5	Bd T9 Hd2
C6	Bd ElecComp3

**Psych Kit**

Note	Wave Name
C0	LFO Seq
C#0	Trance Choir
D0	Tibetan Bowl
D#0	Scratch Stop
E0	Fx Female Voice L
F0	Stab Organ2
F#0	Door Squeak
G0	Radio Noise
G#0	Door Squeak
A0	Acoustic Bass FX06
A#0	Electric Bass FX 02
B0	Acoustic Bass FX06
C1	Bd BlpHd
C#1	Bd Blip
D1	Sd Hip Gate
D#1	Sd SonA St3-4
E1	Noise Burst
F1	Tom Dist Lo
F#1	HH Closed T9
G1	Tom Dist Hi
G#1	HH Closed 2R
A1	Tom T9 Hi
A#1	HH Open T9
B1	Tom T9 Hi
C2	Tom T9 Hi
C#2	China L
D2	Tom T9 Hi
D#2	Splash R
E2	Crash T9
F2	Ride T9
F#2	Pandeiro Tip
G2	Electric Tambourine1
G#2	Hi Q2
A2	Bd Gate
A#2	Hi Q2
B2	Acoustic Bass FX03
C3	Acoustic Bass FX01
C#3	Mini Blip6
D3	Mini Blip1
D#3	Mini Blip2
E3	Quinto1 Slap
F3	Tabla Bya
F#3	Djembe Edge
G3	Tabla Nah
G#3	Barasim Tak
A3	Electric Perc8
A#3	Electric Perc13
B3	Hop FX2
C4	Motion Beam
C#4	Zap2
D4	Digi Voice Mod
D#4	Human Whistle
E4	Digital Wind
F4	Analog Click
F#4	HH Closed T8-1
G4	Sd FM
G#4	HH Half Open2 R
A4	Clave T8
A#4	HH Open T8-1
B4	Reverse Cymbal
C5	Bd Analog Tight
C#5	Bd ElecComp3
D5	Bd T9 Hd3
D#5	Bd ZapHard
E5	Bd Slimy
F5	Bd Break Hard
F#5	Sd BreakRim
G5	Sd Soul St3
G#5	Sd Ambience
A5	Sd Rock Mute1 R
A#5	Sd Cut
B5	Sd D&B3
C6	Sd FX1

Chl/OutKit

Note	Wave Name
C0	Bd T8-1
C#0	Sd T8 Rim
D0	Sd T8-2
D#0	Electric Clap1
E0	Sd Elec11
F0	Sd Elec7
F#0	Sd T8-4
G0	Bd Elec2
G#0	Sd T8-1
A0	Bd HipHop8
A#0	Sd T8-3
B0	Bd HipHop9
C1	Bd HipHop8
C#1	Sd AnSm Rim
D1	Sd HipHop5
D#1	Clap AnSm
E1	Sd HipHop6
F1	Tom T8
F#1	HH Closed T8-1
G1	Tom T8
G#1	HH Open T8-1
A1	Tom T8
A#1	HH Open T8-1
B1	Tom T8
C2	Tom T8
C#2	Crash3
D2	Tom T8
D#2	Ride T9
E2	Splash R
F2	Ride Cup Mono
F#2	Tambourine1 Hit
G2	Crash T8
G#2	Cowbell T8
A2	China L
A#2	Cowbell T8
B2	Ride1 L
C3	Conga T8
C#3	Conga T8
D3	Conga T8
D#3	Conga T8
E3	Conga T8
F3	Conga Hi Slap
F#3	Conga Hi Slp Open
G3	Conga Hi Open 2
G#3	Timbale Hi1
A3	Cabasa2
A#3	Maracas Slur
B3	Fx Female Voice L
C4	Portamento Lead Seq
C#4	Electric Perc9
D4	Shaker Hip1
D#4	Clave T8
E4	Hi Q1
F4	Hi Q2
F#4	Shaker Hip2
G4	Electric Perc15
G#4	Triangle Mute
A4	Triangle Open
A#4	Shaker Hip4
B4	Ripper
C5	Bd Elec4
C#5	Sd Hip1
D5	Sd Elec9
D#5	Sd Elec6
E5	Sd HipHop2
F5	Bd ElecGate
F#5	HH Closed T8-2
G5	Bd ThickSkin
G#5	HH Open T8-2
A5	Bd Break Heavy
A#5	HH Open T8-2
B5	Bd Break Deep
C6	Bd R&B2

Brush Kit

Note	Wave Name
C0	Clave
C#0	Sd Brush Soft St
D0	Sd Brush Swir St
D#0	Sd Brush Med St
E0	Sd Brush SwirAtt St
F0	Sd LiveRoll St
F#0	Castanet
G0	Sd Brush Soft St
G#0	Stick1
A0	Bd Funk 2 R
A#0	Sd Basic 3St
B0	Bd Jazz2L
C1	Bd FK Jazz R
C#1	Sd Closed Rim4 St
D1	Sd Brush Med St
D#1	HandClap L
E1	Sd Brush vari St
F1	Tom Brush Floor L
F#1	HH Power ClTip 1-4R
G1	Tom Brush Low L
G#1	HH Power ClIPedal R
A1	Tom Brush Low L
A#1	HH Power Open EdgeR
B1	Tom Brush Mid R
C2	Tom Brush Mid R
C#2	Crash Brush1 L
D2	Tom Brush Hi R
D#2	Ride Brush1 L
E2	China L
F2	Crash Brush Cup L
F#2	Tambourine1 Sw
G2	Splash R
G#2	Cowbell2
A2	Crash2 R
A#2	Vibraslap
B2	Ride Brush2 L
C3	Bongo Hi 1Finger 1-2
C#3	Bongo Lo 1Finger 1-2
D3	Conga Hi SlapMute1-2
D#3	Conga Hi Open 1-2
E3	Conga Lo Open 1-2
F3	Timbale Hi1-3
F#3	Timbale Lo1-2
G3	Agogo Hi
G#3	Agogo Lo
A3	Cabasa1-2
A#3	Maracas Slur
B3	Whistle
C4	Whistle
C#4	Guiro Short
D4	Guiro Long
D#4	Clave
E4	Wood Block
F4	Wood Block
F#4	Cuica Hi
G4	Cuica Lo
G#4	Triangle Mute
A4	Triangle Open
A#4	Shaker 1/3
B4	Sleigh Bell
C5	Wind Chime
C#5	Sd Bld St3-4
D5	Sd Blues 3St
D#5	Sd Hip St1-2
E5	Sd Funk St2-3
F5	Sd Soul St3-4
F#5	Sd LdwHMMono
G5	Sd Heavy
G#5	Sd Tight St3-4
A5	Sd BluesHeart St2-3
A#5	Bd Snap R2
B5	Bd Tight R2
C6	Bd Funk 2 R

Jazz Kit

Note	Wave Name
C0	Bd Jazz2L
C#0	Sd Brush Soft R
D0	Sd Brush SwirAtt St
D#0	Sd Brush Med St
E0	Sd Brush SwirAtt St
F0	Sd LiveRoll St
F#0	Castanet
G0	Sd Hip 1St
G#0	Stick1
A0	Bd Funk 2 R
A#0	Sd Tight 3St
B0	Bd FK Jazz R
C1	Bd Funk 2 R
C#1	Sd Closed Rim St
D1	Sd Tight 1St
D#1	Sd RockRoll St
E1	Sd BluesHeart St2-3
F1	Tom Floor L
F#1	HH Power ClTip 1-4R
G1	Tom Floor L
G#1	HH Power ClIPedal R
A1	Tom Low L
A#1	HH Power Open EdgeR
B1	Tom Mid R
C2	Tom Mid R
C#2	Crash2 L
D2	Tom Hi R
D#2	Ride2 L
E2	China L
F2	Ride Cup Mono2
F#2	Tambourine1 Hit
G2	Splash R
G#2	Cowbell1
A2	Crash2 L
A#2	Vibraslap
B2	Ride1 L
C3	Bongo Hi 1Finger 1-2
C#3	Bongo Lo 3Finger 1-2
D3	Conga Hi Tip
D#3	Conga Hi Slp Open
E3	Conga Hi Open 2
F3	Timbale Hi1
F#3	Timbale Hi1
G3	Agogo Lo
G#3	Agogo Lo
A3	Cabasa1
A#3	Maracas Slur
B3	Sd Brush Soft R
C4	Sd Brush Swir St
C#4	Guiro Short
D4	Guiro Long
D#4	Clave
E4	Wood Block
F4	Wood Block
F#4	Timbale Paila H
G4	Timbale Paila L
G#4	Triangle Mute
A4	Triangle Open
A#4	Shaker 2
B4	Sleigh Bell
C5	Wind Chime
C#5	Sd Blues 3L
D5	Sd Funk Ay L
D#5	Sd BluesHeart 3R
E5	Sd Blues 2St
F5	Bd Low L
F#5	Sd LdwHMMono
G5	Bd Dry2
G#5	Sd Brush SwirAtt St
A5	Bd Hip Deep
A#5	Sd Roll Mono
B5	Bd Normal 2L
C6	Crash Brush2 R

AnlgT9 Kit

Note	Wave Name
C0	Bd T9-2
C#0	Sd AnCR
D0	Sd T9-5
D#0	Clap AnSm
E0	Sd T9Gate
F0	Sd RockRoll St
F#0	Sd T9-3
G0	Sd T9-4
G#0	Sd T9Gate
A0	Bd T9-4
A#0	Sd T9-5
B0	Bd T9-1
C1	Bd T9-3
C#1	Sd T9Rim
D1	Sd T9-1
D#1	Clap T9
E1	Sd T9-2
F1	Tom T9 Lo
F#1	HH Closed T9
G1	Tom T9 Lo
G#1	HH Open T9
A1	Tom T9 Lo
A#1	HH Open T9
B1	Tom T9 Hi
C2	Tom T9 Hi
C#2	Crash T9
D2	Tom T9 Hi
D#2	Ride T9
E2	China2
F2	Ride Cup Mono
F#2	Tambourine RX5
G2	Crash3
G#2	Cowbell1
A2	Crash4
A#2	Cowbell T8
B2	Ride2 L
C3	Conga T8
C#3	Conga T8
D3	Conga Hi Tip
D#3	Conga Hi Slp Open
E3	Conga Hi Open 2
F3	Timbale Hi1-3
F#3	Timbale Lo1-2
G3	Analog Click
G#3	Conga T8
A3	Cabasa1-2
A#3	Maracas Slur
B3	FxGun2
C4	FxGun1
C#4	Scratch H
D4	Scratch Down
D#4	Hi Q1
E4	Hi Q1
F4	Hi Q2
F#4	Scratch L
G4	Scratch L
G#4	Triangle Mute
A4	Triangle Open
A#4	Analog Shaker
B4	Sleigh Bell
C5	Wind Chime
C#5	Sd Piccolo
D5	Sd T8-5
D#5	Sd RockRollD St
E5	Sd Brush Med St
F5	Bd BlpHd
F#5	Sd Jungle1
G5	Bd Sustain
G#5	Sd D&B1
A5	Bd Break2
A#5	Sd Dist
B5	Bd TekPower
C6	Bd Distortion RM

AnlgT8 Kit

Note	Wave Name
C0	Bd T8-1
C#0	Sd AnCR
D0	Sd T8-4
D#0	Sd ClapAna
E0	Sd T8-3
F0	Tom T8
F#0	Sd T8-5
G0	Bd T8-3
G#0	Sd T8-4
A0	Bd T8-2
A#0	Sd T8-3
B0	T8 Kick Bass
C1	Bd T8-2
C#1	Sd T8 Rim
D1	Sd T8-2
D#1	Clap T9
E1	Sd T8-1
F1	Tom T8
F#1	HH Closed T8-2
G1	Tom T8
G#1	HH Open T8-1
A1	Tom T8
A#1	HH Open T8-1
B1	Tom T8
C2	Tom T8
C#2	Crash T8
D2	Tom T8
D#2	Ride T9
E2	China2
F2	Ride Cup Mono
F#2	Tambourine RX5
G2	Splash R
G#2	Cowbell T8
A2	Crash4
A#2	Vibraslap
B2	Ride2 L
C3	Conga T8
C#3	Conga T8
D3	Conga T8
D#3	Conga T8
E3	Conga T8
F3	Timbale Hi1
F#3	Timbale Lo1
G3	Glass
G#3	Glass
A3	Cabasa1-2
A#3	MaracasT8
B3	FxGun2
C4	FxGun1
C#4	Analog Shaker
D4	Analog Shaker
D#4	Clave T8
E4	Hi Q1
F4	Hi Q2
F#4	Scratch L
G4	Scratch L
G#4	Triangle Mute
A4	Triangle Open
A#4	Analog Shaker
B4	Sleigh Bell
C5	Wind Chime
C#5	Sd Hip1
D5	Sd Hip2
D#5	Sd Hip Gate
E5	Sd Break 1
F5	Bd Blip
F#5	Sd FX1
G5	Bd FxHammer
G#5	Sd Hammer
A5	Bd ZapHard
A#5	Sd Garg L
B5	Bd TekPower
C6	Bd Slimy

**Tekno Kit**

Note	Wave Name
C0	Bd Slimy
C#0	Sd T9Rim
D0	Sd T8-5
D#0	Clap T9
E0	Sd T9-3
F0	Sd Human1
F#0	Sd Hip3
G0	Sd T9-4
G#0	Sd Hip2
A0	Bd ThickSkin
A#0	Sd T9-2
B0	Bd Distortion4
C1	Bd ZapMid
C#1	Sd T8 Rim
D1	Sd T8-5
D#1	Clap T9
E1	Sd Syn
F1	Tom T8
F#1	HH Closed Lo-Fi
G1	Tom T8
G#1	HH Open Lo-Fi
A1	Tom T8
A#1	HH Open Lo-Fi
B1	Tom T8
C2	Tom T8
C#2	Crash T8
D2	Tom T8
D#2	Ride T9
E2	Crash3
F2	Ride Cup Mono
F#2	Tambourine AnCR
G2	Crash2 L
G#2	Cowbell T8
A2	Crash T9
A#2	Cowbell T8
B2	Crash Syn
C3	Conga T8
C#3	Conga T8
D3	Conga T8
D#3	Conga T8
E3	Conga T8
F3	Timbale Hi1-3
F#3	Timbale Lo1-2
G3	Glass
G#3	Glass
A3	Cabasa1
A#3	MaracasT8
B3	FxGun2
C4	FxGun1
C#4	Scratch H
D4	Scratch Down
D#4	Hi Q1
E4	Hi Q1
F4	Hi Q2
F#4	Scratch L
G4	Scratch L
G#4	Triangle Mute
A4	Triangle Open
A#4	Analog Shaker
B4	Sleigh Bell
C5	Bd Elec4
C#5	Bd ElecComp3
D5	Bd ElecFX2
D#5	Bd ElecClick
E5	Bd ElecPower1
F5	Bd ElecPower2
F#5	Bd Elec3
G5	Bd Elec1
G#5	Sd Elec6
A5	Sd Elec7
A#5	Sd Elec8
B5	Sd Elec9
C6	Sd Elec12

**HouseKit 1**

Note	Wave Name
C0	Bd T9-4
C#0	Sd T8 Rim
D0	Sd T8-5
D#0	HandClap L
E0	Sd Garg L
F0	Sd LiveRoll St
F#0	Sd T9-3
G0	Sd T8-1
G#0	Sd T9-5
A0	Bd T9-1
A#0	Sd T9Gate
B0	Bd T9-2
C1	Bd T9-2
C#1	Sd T9Rim
D1	Sd T9-1
D#1	Clap T9
E1	Sd T9-2
F1	Tom T9 Lo
F#1	HH Closed T8-1
G1	Tom T9 Lo
G#1	HH Open T9
A1	Tom T9 Lo
A#1	HH Open T9
B1	Tom T9 Hi
C2	Tom T9 Hi
C#2	Crash T9
D2	Tom T9 Hi
D#2	Ride T9
E2	Crash3
F2	Ride Cup Mono
F#2	Tambourine1 Hit
G2	Crash3
G#2	Cowbell1
A2	Crash2 L
A#2	Cowbell T8
B2	Ride1 L
C3	Bongo Hi 1Finger 1-2
C#3	Bongo Lo 3Finger 1-2
D3	Conga Hi Tip
D#3	Conga Hi Slp Open
E3	Conga Hi Open 2
F3	Timbale Hi1
F#3	Timbale Hi1
G3	Agogo Lo
G#3	Agogo Lo
A3	Cabasa1
A#3	Maracas Slur
B3	Vox Drum
C4	Vox Drum
C#4	Tambourine AnCR
D4	Guiro Long
D#4	Clave
E4	Wood Block
F4	Wood Block
F#4	Cuica Hi
G4	Cuica Lo
G#4	Triangle Mute
A4	Triangle Open
A#4	Analog Shaker
B4	Sleigh Bell
C5	Wind Chime
C#5	Sd Break Roll
D5	Noise Burst
D#5	Vox Bell
E5	Sd R&B1
F5	VoxAlk
F#5	Udu High
G5	Trance Choir
G#5	Swarm
A5	Bd Pop
A#5	Sd R&B1 Rim
B5	Bd R&B2
C6	Crash3

**HouseKit 2**

Note	Wave Name
C0	Bd T9-2
C#0	Sd T8 Rim
D0	Dohol High
D#0	Clap T9
E0	Sd T9-2
F0	Sd T9Gate
F#0	Sd Human2
G0	Sd FX1
G#0	Sd Lo-Fi
A0	Bd T9 Hd2
A#0	Sd T9Rim
B0	Bd T9-3
C1	Bd T9 Hd1
C#1	Sd T9Rim
D1	Sd T9-2
D#1	Noise Burst
E1	Sd Strong L3
F1	Sd Syn
F#1	HH Closed T9
G1	Sd Syn
G#1	HH Open T9
A1	Sd Syn
A#1	HH Open T9
B1	Sd Syn
C2	Sd Syn
C#2	Crash T9
D2	Sd Syn
D#2	Ride T9
E2	Crash Syn
F2	Ride Cup Mono
F#2	Tambourine1 Hit
G2	Crash T8
G#2	Cowbell1
A2	Crash3
A#2	Cowbell T8
B2	Ride1 L
C3	Bongo Hi 1Finger 1-2
C#3	Bongo Lo 3Finger 1-2
D3	Conga Hi Heel
D#3	Conga Hi Slp Open
E3	Conga Hi Open 2
F3	Tom Syn1
F#3	Tom Syn1
G3	Analog Click
G#3	Sd Rim SE
A3	Cabasa1
A#3	Maracas Slur
B3	Vox Drum
C4	Vox Drum
C#4	Tambourine AnCR
D4	Analog Shaker
D#4	Clave T8
E4	Tambourine RX5
F4	Cowbell RX11
F#4	Analog Shaker
G4	Scratch Hi F
G#4	Triangle Mute
A4	Triangle Open
A#4	Analog Shaker
B4	Sleigh Bell
C5	Wind Chime
C#5	Tabla Bya
D5	Tabla Nah
D#5	Tabla Mute
E5	Vox Bell
F5	Bd Pop
F#5	Udu High
G5	Bd FX Gate
G#5	Noise Burst
A5	Bd T9-1
A#5	Sd Break Roll
B5	Crash3
C6	TurnTable

**HousCmpKit**

Note	Wave Name
C0	Bd T9-4
C#0	Sd T8 Rim
D0	Sd T8-5
D#0	HandClap L
E0	Sd Garg L
F0	Sd LiveRoll St
F#0	Sd T9-3
G0	Sd T8-1
G#0	Sd T9-5
A0	Bd T9-1
A#0	Sd T9Gate
B0	Bd T9-2
C1	Bd T9-3
C#1	Sd T9Rim
D1	Sd T9-1
D#1	Clap T9
E1	Sd T9-2
F1	Tom T9 Lo
F#1	HH Closed T8-1
G1	Tom T9 Lo
G#1	HH Open T9
A1	Tom T9 Lo
A#1	HH Open T9
B1	Tom T9 Hi
C2	Tom T9 Hi
C#2	Crash T9
D2	Tom T9 Hi
D#2	Ride T9
E2	Crash3
F2	Ride Cup Mono
F#2	Tambourine1 Hit
G2	Crash3
G#2	Cowbell1
A2	Crash2 L
A#2	Cowbell T8
B2	Ride1 L
C3	Bongo Hi 1Finger 1-2
C#3	Bongo Lo 3Finger 1-2
D3	Conga Hi Tip
D#3	Conga Hi Slp Open
E3	Conga Hi Open 2
F3	Timbale Hi1
F#3	Timbale Hi1
G3	Agogo Lo
G#3	Agogo Lo
A3	Cabasa1
A#3	Maracas Slur
B3	Vox Drum
C4	Vox Drum
C#4	Guiro Short
D4	Guiro Long
D#4	Clave
E4	Wood Block
F4	Wood Block
F#4	Cuica Hi
G4	Cuica Lo
G#4	Triangle Mute
A4	Triangle Open
A#4	Analog Shaker
B4	Sleigh Bell
C5	Wind Chime
C#5	Sd Break Roll
D5	Noise Burst
D#5	Vox Bell
E5	Sd R&B1
F5	VoxAlk
F#5	Udu High
G5	Trance Choir
G#5	Swarm
A5	Bd Pop
A#5	Sd R&B1 Rim
B5	Bd R&B2
C6	Crash3

**Big Kit**

Note	Wave Name
C0	Bd FX Gate
C#0	Bongo Lo 3Finger 1-2
D0	Sd GM
D#0	HandClap L
E0	Sd Gate2
F0	Sd RockRoll St
F#0	Sd Rock Rim1 R
G0	Sd Piccolo
G#0	Sd Rock Flam R
A0	Bd Room2
A#0	Sd Rock Stick1 R
B0	Bd Room3
C1	Bd Gate
C#1	Sd Mid Rim
D1	Sd Gate1
D#1	Clap AnSm
E1	Sd Ambience
F1	Tom Ambience Lo
F#1	HH Closed D&B
G1	Tom Ambience Lo
G#1	HH Pedal D&B
A1	Tom Ambience Lo
A#1	HH Open D&B
B1	Tom Ambience Hi
C2	Tom Ambience Hi
C#2	Crash2 L
D2	Tom Ambience Hi
D#2	Ride1 L
E2	China L
F2	Ride Cup Mono
F#2	Tambourine1 Hit
G2	Crash3
G#2	Cowbell1
A2	Crash2 L
A#2	Vibraslap
B2	Ride1 L
C3	Bongo Hi 1Finger 1-2
C#3	Bongo Lo 3Finger 1-2
D3	Conga Hi Tip
D#3	Conga Hi Slp Open
E3	Conga Hi Open 2
F3	Bd +HH
F#3	Bd +HH
G3	Agogo Lo
G#3	Agogo Lo
A3	Cabasa1
A#3	Maracas Slur
B3	FxGun2
C4	FxGun1
C#4	Scratch H
D4	Scratch Down
D#4	Clave
E4	Wood Block
F4	Wood Block
F#4	Scratch L
G4	Scratch L
G#4	Triangle Mute
A4	Triangle Open
A#4	Shaker 2
B4	Sleigh Bell
C5	Wind Chime
C#5	Sd Dist
D5	Sd FM
D#5	Sd FM Rim
E5	Sd Clappy
F5	Bd Room3
F#5	Sd Timbr
G5	Bd Rock1 L
G#5	Sd Rim SE
A5	Bd Rock2 L
A#5	Sd Break Roll
B5	Bd D&B1
C6	Bd Room2

**Break Kit**

Note	Wave Name
C0	Bd Break Deep
C#0	Sd Hip 1St
D0	Sd Lo-Fi
D#0	Sd Clappy
E0	Sd LdwHMono
F0	Sd RockRollID St
F#0	Sd Gate1
G0	Sd Mid
G#0	Sd BreakRim
A0	Bd Break Heavy
A#0	Sd Hip Rim4
B0	Bd Break2
C1	Bd Break1
C#1	Sd Hip Rim1
D1	Sd Break3
D#1	Sd Break1
E1	Sd Break2
F1	Tom Low L
F#1	HH Closed Rock S R
G1	Tom Low L
G#1	HH Pedal Rock R
A1	Tom Low L
A#1	HH Half Open Rock R
B1	Tom Hi R
C2	Tom Hi R
C#2	Crash2 L
D2	Tom Hi R
D#2	Ride2 L
E2	China L
F2	Ride Cup Mono
F#2	Tambourine1 Hit
G2	Crash3
G#2	Cowbell1
A2	Crash2 R
A#2	Cowbell RX11
B2	Ride Mono
C3	Bongo Hi 1Finger 1-2
C#3	Bongo Lo 3Finger 1-2
D3	Conga Hi Tip
D#3	Conga Hi Slip Open
E3	Conga Hi Open 2
F3	Bongo Hi 1Finger 1-2
F#3	Bongo Lo 3Finger 1-2
G3	Conga Hi Open 2
G#3	Agogo Lo
A3	Cabasa1
A#3	Maracas Slur
B3	Timbale Hi1
C4	Timbale Lo1
C#4	Scratch H
D4	Scratch Down
D#4	Clave
E4	Wood Block
F4	Wood Block
F#4	Scratch L
G4	Scratch L
G#4	Triangle Mute
A4	Triangle Open
A#4	Shaker 2
B4	Sleigh Bell
C5	TurnTable
C#5	Sd Break Roll
D5	FM Bass5
D#5	Mind Bell
E5	Sd FX1
F5	Bd Rock2 L
F#5	LFO Seq
G5	Ripper
G#5	Noise Burst
A5	Police
A#5	Fairwave
B5	Swarm
C6	Radio Noise

**DnB Kit**

Note	Wave Name
C0	Bd Hip Deep
C#0	Bongo Lo 3Finger 1-2
D0	Sd R&B2
D#0	Sd Timbr
E0	Sd D&B3
F0	Sd Hammer
F#0	Glass
G0	Bd D&B2
G#0	HH Pedal 3 R
A0	Bd Hip Deep
A#0	HH Open2 R
B0	Bd Break Hard
C1	Bd D&B1
C#1	Sd Mid Rim
D1	Sd D&B1
D#1	Noise Burst
E1	Sd D&B2
F1	Tom Ambience Lo
F#1	HH Closed D&B
G1	Tom Ambience Lo
G#1	HH Pedal D&B
A1	Tom Ambience Lo
A#1	HH Open D&B
B1	Tom Ambience Hi
C2	Tom Ambience Hi
C#2	Crash2 L
D2	Tom Ambience Hi
D#2	Ride1 L
E2	China2
F2	Ride Cup Mono
F#2	Tambourine1 Hit
G2	Crash3
G#2	Cowbell1
A2	Crash2 L
A#2	Vibraslap
B2	Ride1 L
C3	Bongo Hi 1Finger 1-2
C#3	Bongo Lo 3Finger 1-2
D3	Conga Hi Tip
D#3	Conga Hi Slip Open
E3	Conga Hi Open 2
F3	Sd D&B4
F#3	HH Reverse D&B
G3	Agogo Lo
G#3	Agogo Lo
A3	Cabasa1
A#3	Maracas Slur
B3	FxGun2
C4	FxGun1
C#4	Guiro Short
D4	Guiro Long
D#4	Clave
E4	Electric Perc8
F4	Electric Perc2
F#4	P50-1
G4	Electric Perc13
G#4	TurnTable
A4	Triangle Open
A#4	Shaker 2
B4	Sleigh Bell
C5	Wind Chime
C#5	Sd Dist
D5	Sd FM
D#5	Sd FM Rim
E5	Sd Clappy
F5	Bd D&B1
F#5	Sd Timbr
G5	Bd Distortion5
G#5	Sd Rim SE
A5	Bd Distortion4
A#5	Sd Hip3
B5	Bd Slimy
C6	Bd +HH

**Acid Kit**

Note	Wave Name
C0	Bd Analog Tight
C#0	Sd T8 Rim
D0	Sd Jungle3
D#0	HandClap L
E0	Sd T8-1
F0	Tom Syn1
F#0	Sd BluesHeart 3L
G0	Sd BluesHeart 3R
G#0	Sd SonA 3St
A0	Bd Funk 2 R
A#0	Sd Basic St2-3
B0	Bd Blip
C1	Bd T9-4
C#1	Sd T9Rim
D1	Sd FM
D#1	Clap T9
E1	Sd AnCR
F1	Tom T9 Lo
F#1	HH Closed Tek
G1	Tom T9 Lo
G#1	HH Closed Tek
A1	Tom T9 Lo
A#1	HH Open Tek
B1	Tom T9 Hi
C2	Tom T9 Hi
C#2	Crash T9
D2	Tom T9 Hi
D#2	Ride T9
E2	Crash3
F2	Ride Cup2 L
F#2	Tambourine1 Hit
G2	Crash3
G#2	Cowbell1
A2	Splash R
A#2	Cowbell T8
B2	Ride Mono
C3	Bongo Hi 1Finger 1-2
C#3	Bongo Lo 3Finger 1-2
D3	Conga Hi Tip
D#3	Conga Hi Slip Open
E3	Conga Hi Open 2
F3	Timbale Hi1
F#3	Timbale Hi1
G3	Agogo Hi
G#3	Agogo Lo
A3	Cabasa1
A#3	Maracas Slur
B3	FxGun2
C4	FxGun1
C#4	Scratch H
D4	Scratch Down
D#4	Hi Q1
E4	Hi Q1
F4	Hi Q2
F#4	Scratch L
G4	Scratch L
G#4	Triangle Mute
A4	Triangle Open
A#4	Analog Shaker
B4	Sleigh Bell
C5	Wind Chime
C#5	Sd T9-5
D5	Sd T9-5
D#5	Sd T9-5
E5	Sd T9-5
F5	Bd Human1
F#5	Sd D&B1
G5	Acoustic Bass FX03
G#5	DigiOsc4
A5	DigiOsc3
A#5	Sd Break 1
B5	Bd Jungle1
C6	Bd Break Heavy

**Jungle Kit**

Note	Wave Name
C0	Bd Jungle2
C#0	Sd Mid Rim
D0	Sd Jungle3
D#0	Sd Jungle3
E0	Sd Piccolo Rim1
F0	Sd Roll Mono
F#0	Sd Wood
G0	Sd R&B2
G#0	Sd D&B2
A0	Bd Jungle2
A#0	Sd JungleFX
B0	Bd T8-1
C1	Bd Jungle1
C#1	Sd Hip Rim4
D1	Sd Jungle2
D#1	Sd JungleFX
E1	Sd Jungle3
F1	Tom Floor L
F#1	HH Closed Rock Sw R
G1	Tom Low L
G#1	HH Pedal Rock Sw R
A1	Tom Mid R
A#1	HH Open Rock Sw R
B1	Tom Mid R
C2	Tom Hi R
C#2	Crash2 L
D2	Tom Hi R
D#2	Ride2 L
E2	China2
F2	Ride Cup Mono
F#2	Tambourine1 Hit
G2	Crash3
G#2	Cowbell1
A2	Crash2 L
A#2	Vibraslap
B2	Ride1 L
C3	Bongo Hi 1Finger 1-2
C#3	Bongo Lo 3Finger 1-2
D3	Conga Hi Tip
D#3	Conga Hi Slip Open
E3	Conga Hi Open 2
F3	Tabla Nah
F#3	Tabla Bya
G3	Agogo Lo
G#3	Agogo Lo
A3	Cabasa1
A#3	Maracas Slur
B3	Timbale Hi1
C4	Timbale Lo1
C#4	Guiro Short
D4	Guiro Long
D#4	Clave
E4	Wood Block
F4	Wood Block
F#4	Cuica Hi
G4	Cuica Lo
G#4	Triangle Mute
A4	Triangle Open
A#4	Shaker 2
B4	Sleigh Bell
C5	Wind Chime
C#5	HH Reverse D&B
D5	RainLoop
D#5	Scratch H
E5	Scratch L
F5	Bd BlpHd
F#5	Sd Syn
G5	IndusTom
G#5	Pandeiro Open
A5	Ripper
A#5	TelRing
B5	Scratch Lo R
C6	Tape Rewind

**Electrckit**

Note	Wave Name
C0	Bd AnCR
C#0	Bd Blip
D0	Sd T8-5
D#0	Clap AnSm
E0	Sd Hip Rim2
F0	Sd Roll Mono
F#0	Sd T8-1
G0	Sd AnCR
G#0	Sd T8-2
A0	Bd T8-1
A#0	Sd T8-4
B0	Bd Blip
C1	Bd T8-2
C#1	Sd T8 Rim
D1	Sd T8-3
D#1	Clap T9
E1	Clap AnSm
F1	Tom Syn2
F#1	HH Closed T8-2
G1	Tom Syn2
G#1	HH Open T8-1
A1	Tom Syn2
A#1	HH Open T8-2
B1	Tom Syn2
C2	Tom Syn2
C#2	Crash T9
D2	Tom Syn2
D#2	Ride T9
E2	Crash3
F2	Crash Syn
F#2	Crash T8
G2	Crash3
G#2	Sd Rim SE
A2	Crash2 L
A#2	Cowbell T8
B2	Crash Syn
C3	Tom T8
C#3	Tom T8
D3	Tom T8
D#3	Tom T8
E3	Tom T8
F3	Ooh Feedback
F#3	Door Squeak
G3	Heart Beat
G#3	Bomb
A3	HH Open Lo-Fi
A#3	Shaker 1
B3	Zap2
C4	Zap1
C#4	Scratch H
D4	Scratch L
D#4	Hi Q1
E4	Hi Q1
F4	Hi Q2
F#4	Scratch L
G4	Hit Orchestra2
G#4	HH Closed FX
A4	HH Open FX
A#4	Analog Shaker
B4	Analog Shaker
C5	TurnTable
C#5	Sd Break Roll
D5	FM Bass5
D#5	Mind Bell
E5	Sd Break2
F5	Bd Rock2 L
F#5	Radio Noise
G5	Ripper
G#5	Noise Burst
A5	Scratch Spin
A#5	Bell Choir
B5	Hi-Lo
C6	Radio Noise



Human Kit

Note	Wave Name
C0	Bd Human1
C#0	Scratch Vo F
D0	Hit Uhh
D#0	Scratch Vo R
E0	Sd JungleFX
F0	Sd RockRoll St
F#0	Sd Break1
G0	Sd AnCR
G#0	Sd T9-1
A0	Bd Sustain
A#0	Sd Hip Stick1
B0	Bd Human2
C1	Bd Human2
C#1	Sd Wood
D1	Sd Human1
D#1	Sd Garg H
E1	Sd Human2
F1	Bd Human1
F#1	HH Open Human
G1	Bd Human1
G#1	HH Open Human
A1	Bd Human1
A#1	HH Open Human
B1	Bd Human1
C2	Bd Human1
C#2	Noise Burst
D2	Bd Human1
D#2	Crash T8
E2	China2
F2	Ride Cup Mono
F#2	Scratch Sd R
G2	Splash R
G#2	Vox Drum
A2	Crash4
A#2	Electric Tambourine2
B2	Stab Aah
C3	Bongo Hi 1Finger 1-2
C#3	Bongo Lo 3Finger 1-2
D3	Conga Hi Tip
D#3	Conga Hi Slip Open
E3	Conga Hi Open 2
F3	Timbale Hi1-3
F#3	Timbale Lo1-2
G3	Agogo Lo
G#3	Agogo Lo
A3	Cabasa1
A#3	Maracas Slur
B3	FxGun2
C4	Bomb
C#4	Scratch H
D4	Scratch Down
D#4	Scratch Lo F
E4	Scratch Lo R
F4	Hi Q2
F#4	Scratch L
G4	Scratch L
G#4	Triangle Mute
A4	Triangle Open
A#4	Shaker 2
B4	Sleigh Bell
C5	TurnTable
C#5	Sd Rock Rim1 R
D5	Helicopter
D#5	Stab Hard
E5	Sd Gate1
F5	Bd Rock1 L
F#5	Scratch Down
G5	Bd AnSm
G#5	Sonar1
A5	Wataiko
A#5	Wataiko
B5	HH Hit
C6	Stab Organ2

Hard Kit

Note	Wave Name
C0	Bd Distortion3
C#0	Sd Wood
D0	Sd Gate1
D#0	HandClap L
E0	Sd Gate2
F0	Sd Roll Mono
F#0	Sd ClapAna
G0	Sd Hip3
G#0	Ripper
A0	Bd Distortion RM
A#0	Sd T8 Rim
B0	Bd Distortion2
C1	Bd Distortion1
C#1	Sd Mid Rim
D1	Sd Dist
D#1	Noise Burst
E1	Sd FX2
F1	Tom Dist Lo
F#1	HH Closed T9
G1	Tom Dist Lo
G#1	HH Open T9
A1	Tom Dist Lo
A#1	HH Open T9
B1	Tom Dist Hi
C2	Tom Dist Hi
C#2	Crash T9
D2	Tom Dist Hi
D#2	Ride T9
E2	China2
F2	Ride Cup Mono
F#2	Tambourine AnCR
G2	Crash3
G#2	Cowbell T8
A2	Crash2 L
A#2	Vibraslap
B2	Ride1 L
C3	Sd Timbr
C#3	Sd Timbr
D3	Conga Hi Tip
D#3	Conga Hi Slip Open
E3	Conga Hi Open 2
F3	Bd +HH
F#3	Bd +HH
G3	Glass
G#3	Glass
A3	Cabasa1
A#3	Maracas Slur
B3	FxGun2
C4	FxGun1
C#4	Scratch H
D4	Scratch Down
D#4	Hi Q1
E4	Hi Q1
F4	Hi Q2
F#4	Scratch L
G4	Scratch L
G#4	Triangle Mute
A4	Triangle Open
A#4	Analog Shaker
B4	Sleigh Bell
C5	Wind Chime
C#5	Sd Dist
D5	Sd FM
D#5	Sd FM Rim
E5	Sd Clappy
F5	Bd FxHammer
F#5	IndusTom
G5	Bd D&B1
G#5	IndusTom
A5	Bd Room3
A#5	IndusTom
B5	Bd T9-4
C6	Sd Hammer

DistrtedKit

Note	Wave Name
C0	Analog Click
C#0	Sd Brush Soft St
D0	Sd Brush Swir St
D#0	Sd Brush Med St
E0	Sd Brush SwirAtt St
F0	Sd LiveRoll St
F#0	Castanet
G0	Sd Normal 3St
G#0	Stick1
A0	Bd Rock2 L
A#0	Sd Tight 1St
B0	Bd Break1
C1	Bd Rock2 L
C#1	Sd Rock Stick2 R
D1	Sd PowerA 3L
D#1	HandClap L
E1	Sd Piccolo Rim1
F1	Tom Ambience Lo
F#1	HH Closed Rock 2R
G1	Tom Ambience Lo
G#1	HH Pedal Rock R
A1	Tom Ambience Lo
A#1	HH Open Rock R
B1	Tom Ambience Hi
C2	Tom Ambience Hi
C#2	Crash2 L
D2	Tom Ambience Hi
D#2	Ride2 L
E2	China L
F2	Ride Cup2 L
F#2	Tambourine1 Sw
G2	Splash R
G#2	Mambo Bl2
A2	Crash2 L
A#2	Vibraslap
B2	Ride1 L
C3	Bongo Hi 1Finger 1-2
C#3	Bongo Lo 3Finger 1-2
D3	Conga Hi Tip
D#3	Conga Hi Slip Open
E3	Conga Hi Open 2
F3	Timbale Hi1-3
F#3	Timbale Lo1-2
G3	Agogo Hi
G#3	Agogo Lo
A3	Cabasa1-2
A#3	Maracas Slur
B3	Whistle
C4	Whistle
C#4	Guiro Short
D4	Guiro Long
D#4	Clave
E4	Wood Block
F4	Wood Block
F#4	Scratch Combi2
G4	Scratch Hi R
G#4	Triangle Mute
A4	Triangle Open
A#4	Shaker 1
B4	Sleigh Bell
C5	Wind Chime
C#5	Sd Piccolo
D5	Sd Heavy
D#5	Sd ClapAna
E5	Sd Piccolo Rim1
F5	Bd Room2
F#5	Sd Mid
G5	Bd Room3
G#5	Sd Mid Rim
A5	Bd Gate
A#5	Sd Gate1
B5	Bd FX Gate
C6	Bd D&B1

AmbientKit

Note	Wave Name
C0	Bd Blip
C#0	Hi Q2
D0	Sd Piccolo Rim2
D#0	Hi Q1
E0	Sd AnCR
F0	Tom Syn1
F#0	HH Closed Syn
G0	Tom Syn1
G#0	HH Closed FX
A0	Tom Syn2
A#0	HH Open Syn
B0	Bd AnCR
C1	Bd T9-1
C#1	Sd Hip Stick3
D1	Sd Jungle1
D#1	Clap T9
E1	Sd Jungle1
F1	Tom T8
F#1	HH Closed T8-2
G1	Tom T8
G#1	HH Open T8-1
A1	Tom T8
A#1	HH Open T8-2
B1	Tom T8
C2	Tom T8
C#2	Crash Syn
D2	Tom T8
D#2	Ride T9
E2	Crash3
F2	Ride Cup Mono
F#2	Tambourine1 Hit
G2	Crash3
G#2	Cowbell T8
A2	Crash2 L
A#2	Vibraslap
B2	Ride1 L
C3	Bongo Hi 1Finger 1-2
C#3	Bongo Lo 3Finger 1-2
D3	Conga Hi Tip
D#3	Conga Hi Slip Open
E3	Conga Hi Open 2
F3	Timbale Hi1-3
F#3	Timbale Lo1-2
G3	Glass
G#3	Glass
A3	Cabasa1
A#3	MaracasT8
B3	Bird
C4	Engine Room L
C#4	Electric Perc 14
D4	Gunshot
D#4	Clave T8
E4	Wood Block
F4	Wood Block
F#4	Tambourine AnCR
G4	Cowbell AnCR
G#4	Triangle Mute
A4	Triangle Open
A#4	Analog Shaker
B4	Sleigh Bell
C5	Wind Chime
C#5	Sd T8-5
D5	Sonar1
D#5	Sd T8-5
E5	Sonar1
F5	Bubble
F#5	Sd T8-5
G5	Bubble
G#5	Sd T8-5
A5	Eery
A#5	Sd T8-5
B5	FX Chime
C6	FX Chime

Garage Kit

Note	Wave Name
C0	Bd Hard Long
C#0	Bd T9-1
D0	Bd Slimy
D#0	Bd AnaHard
E0	Bd Distortion4
F0	Bd ElecComp3
F#0	Bd Hip Deep
G0	Bd FxHammer
G#0	Bd T9-3
A0	Bd T8-3
A#0	Bd Sustain
B0	Bd R&B2
C1	Bd T9 Hd1
C#1	Bd Slimy
D1	Sd T8-1
D#1	Sd T8 Rim
E1	Sd Clappy
F1	Sd Blues 3St
F#1	HH Closed 2R
G1	HH Closed T8-2
G#1	HH Open 2R
A1	HH Open T8-2
A#1	HH Open 2R
B1	HH Open T8-2
C2	Clap AnSm
C#2	Crash2 St
D2	Crash T9
D#2	Ride1 L
E2	Ride T9
F2	Ride Cup Click
F#2	Clave T8
G2	Clap AnSm
G#2	Clap T9
A2	Analog Shaker
A#2	Conga T8
B2	Conga T8
C3	Sd AnCR
C#3	Sd RockRoll St
D3	Agogo Hi
D#3	China L
E3	Hi Q2
F3	Hi Q1
F#3	Zap2
G3	Zap1
G#3	Zap2
A3	Door Squeak
A#3	Scratch Combi3
B3	AcousticGir FX27 R
C4	Distortion FX
C#4	Scratch Hi F
D4	WurlI EP Med+
D#4	WurlI EP Med+
E4	WurlI EP Med+
F4	Resonance X-Fade
F#4	Sonar1
G4	Vox Drum
G#4	Vox Drum
A4	Vox Drum
A#4	HH Open Syn
B4	HH Closed Syn
C5	Tri Wave
C#5	Tri Wave
D5	Tri Wave
D#5	Tri Wave
E5	Tri Wave
F5	Tri Wave
F#5	Tri Wave
G5	Tri Wave
G#5	Tri Wave
A5	Tri Wave
A#5	Tri Wave
B5	Tri Wave
C6	Tri Wave

SynPop Kit

Note	Wave Name
C0	Bd HipHop8
C#0	Bd T9-1
D0	Bd Blip
D#0	Bd Break Hard
E0	Bd ElecFX1
F0	Bd ElecGate
F#0	Bd ElecFX2
G0	Bd Distortion2
G#0	Bd ThickSkin
A0	Bd ElecComp2
A#0	Bd Elec2
B0	Bd ElecClick
C1	Bd ElecClick
C#1	Sd T9Rim
D1	Sd Elec12
D#1	Clap T9
E1	Sd Elec8
F1	Tom T9 Lo
F#1	HH Closed T9
G1	Tom T9 Lo
G#1	HH Open T9
A1	Tom T9 Lo
A#1	HH Open T9
B1	Tom T9 Hi
C2	Tom T9 Hi
C#2	Crash T9
D2	Tom T9 Hi
D#2	Ride T9
E2	Crash T9
F2	Ride T9
F#2	Electric Tambourine2
G2	Crash T9
G#2	Electric Cowbell
A2	Crash T9
A#2	Electric Tambourine1
B2	Ride T9
C3	Electric Perc5
C#3	Electric Perc4
D3	Electric Perc12
D#3	Electric Perc6
E3	Electric Perc1
F3	Bell FX1
F#3	Bell FX2
G3	Scratch Attack
G#3	Scratch R&B
A3	Cabasa1-2
A#3	Maracas Slur
B3	Electric Perc14
C4	Electric Perc15
C#4	Shaker Hip2
D4	Electric Perc3
D#4	Electric Perc7
E4	Electric Perc8
F4	Electric Perc9
F#4	Electric Perc10
G4	Electric Perc13
G#4	Triangle Mute
A4	Triangle Open
A#4	Electric Maracas
B4	Electric Triangle
C5	Electric Perc11
C#5	Sd Elec1
D5	Sd Elec9
D#5	Sd Elec10
E5	Sd Elec11
F5	Sd Elec2
F#5	Sd Elec3
G5	Sd Elec4
G#5	Sd Elec5
A5	Sd Elec6
A#5	Sd Elec7
B5	Electric Clap1
C6	Electric Clap2

Orch Kit

Note	Wave Name
C0	Analog Click
C#0	Sd Brush Med L
D0	Sd Brush Swir R
D#0	Sd Brush Med L
E0	Sd Brush SwirAtt R
F0	Sd Orch Roll St
F#0	Castanet
G0	Sd Orch1 S L
G#0	Stick1
A0	Bd Gran Casa Mute L
A#0	Sd Orch1 H L
B0	Bd Gran Casa Mute L
C1	Bd Gran Casa Open L
C#1	Sd Closed Rim R
D1	Sd Orch1 H L
D#1	HandClap L
E1	Sd Orch2 H L
F1	Timpani Hard St
F#1	HH Closed 1-4R
G1	Timpani Hard St
G#1	HH Pedal 3 R
A1	Timpani Hard St
A#1	HH Open 2R
B1	Timpani Hard St
C2	Timpani Hard St
C#2	Hand Cymbal Open R
D2	Timpani Hard St
D#2	Ride1 L
E2	China L
F2	Ride Cup1 L
F#2	Tambourine1 Hit
G2	Hand Cymbal Mute R
G#2	Cowbell2
A2	Crash1 L
A#2	Vibraslap
B2	Ride2 L
C3	Bongo Hi 1Finger 1-2
C#3	Bongo Lo 3Finger 1-2
D3	Conga Hi Tip
D#3	Conga Hi Open 2
E3	Tumba Open
F3	Timbale Hi1-3
F#3	Timbale Lo1-2
G3	Agogo Hi
G#3	Agogo Lo
A3	Cabasa1-2
A#3	Maracas Slur
B3	Whistle
C4	Whistle
C#4	Guiro Short
D4	Guiro Long
D#4	Clave
E4	Wood Block
F4	Wood Block
F#4	Cuica Hi
G4	Cuica Lo
G#4	Triangle Mute
A4	Triangle Open
A#4	Shaker 1
B4	Sleigh Bell
C5	Wind Chime
C#5	Wood Block
D5	Wood Block
D#5	Wood Block
E5	Wood Block
F5	Wood Block
F#5	Wood Block
G5	Wood Block
G#5	Wood Block
A5	Wood Block
A#5	Wood Block
B5	Wood Block
C6	Wood Block

DrumMachKit

Note	Wave Name
C0	Bd Hard Long
C#0	Bd TekPower
D0	Bd Distortion5
D#0	Bd Distortion3
E0	Bd Distortion1
F0	Bd D&B1
F#0	Bd Blip
G0	Bd AnSm
G#0	Bd T8-2
A0	Bd T8-3
A#0	Bd T9 Hd3
B0	Bd T9-2
C1	Bd T9-3
C#1	Sd T9Rim
D1	Sd T9-1
D#1	Clap T9
E1	Sd T9-4
F1	Tom T9 Lo
F#1	HH Closed T9
G1	Tom T9 Lo
G#1	HH Open T9
A1	Tom T9 Lo
A#1	HH Open T9
B1	Tom T9 Lo
C2	Tom T9 Lo
C#2	Crash T9
D2	Conga T8
D#2	Ride T9
E2	Conga T8
F2	Analog Click
F#2	Clave T8
G2	MaracasT8
G#2	Tambourine AnCR
A2	Analog Shaker
A#2	Cowbell T8
B2	Cowbell AnCR
C3	Sd T8-1
C#3	Sd T8-2
D3	Sd T8-3
D#3	Sd AnCR
E3	Sd Jungle1
F3	Sd D&B1
F#3	Sd Hip1
G3	Sd R&B1
G#3	Sd R&B2
A3	Sd Hip1
A#3	Sd Wood
B3	Sd Timbr
C4	HH Closed T8-1
C#4	HH Open T8-1
D4	HH Closed T8-2
D#4	HH Open T8-2
E4	HH Pedal 3 R
F4	HH Open 2R
F#4	HH Open 2R
G4	HH Closed Lo-Fi
G#4	HH Open Lo-Fi
A4	HH Closed Syn
A#4	HH Open Syn
B4	Analog Shaker
C5	Tambourine RX5
C#5	Tambourine RX5
D5	Electric Cowbell
D#5	Conga T8
E5	Electric Triangle
F5	Clave T8
F#5	Analog Shaker
G5	Electric Clap1
G#5	Electric Clap2
A5	Tambourine AnCR
A#5	Cowbell T8
B5	Analog Click
C6	Cowbell RX11

RckMultiKit

Note	Wave Name
C0	Bd Normal 2L
C#0	Sd Rock Stick1 R
D0	Sd Rock Open2 R
D#0	Sd RockRoll St
E0	Sd Rock Open1 R
F0	Tom Low L
F#0	HH Closed Foot R
G0	Tom Low L
G#0	HH Pedal 3 R
A0	Tom Mid R
A#0	HH Open 2R
B0	Tom Hi R
C1	Bd Rock2 L
C#1	Sd Rock Stick1 R
D1	Sd Rock Open2 R
D#1	HandClap L
E1	Sd Rock Mute2 R
F1	Tom Rock Low L
F#1	HH Closed Rock Sw R
G1	Tom Rock Low L
G#1	HH Pedal Rock Sw R
A1	Tom Rock Mid R
A#1	HH Open Rock Sw R
B1	Tom Rock Mid R
C2	Tom Rock Hi R
C#2	Crash2 L
D2	Tom Rock Hi R
D#2	Ride1 L
E2	China L
F2	Ride Cup1 L
F#2	Tambourine1 Sw
G2	Splash R
G#2	Cowbell1
A2	Crash2 L
A#2	Shaker 1
B2	Ride1 L
C3	Bd Rock1 L
C#3	Sd Hip Stick2 R
D3	Sd Rock Open1 R
D#3	Clap T9
E3	Sd Rock Mute1 R
F3	Tom Rock Low L
F#3	HH Closed Rock Sw R
G3	Tom Rock Low L
G#3	HH Pedal Rock R
A3	Tom Rock Mid R
A#3	HH Half Open Rock R
B3	Tom Rock Mid R
C4	Tom Rock Hi R
C#4	Crash2 L
D4	Tom Rock Hi R
D#4	Ride2 L
E4	China L
F4	Ride Cup1 L
F#4	Tambourine1 Hit
G4	Splash R
G#4	Mambo B12
A4	Crash2 L
A#4	Shekere Down
B4	Ride2 L
C5	Bd Funk 2 R
C#5	Sd Rock Stick1 R
D5	Sd Rock Rim1 R
D#5	Sd Rock Flam R
E5	Sd Rock Rim2 R
F5	Tom Floor L
F#5	HH Closed 4R
G5	Tom Low L
G#5	HH Pedal 3 R
A5	Tom Mid R
A#5	HH Open2 R
B5	Tom Mid R
C6	Tom Hi R

HH MutiKit

Note	Wave Name
C0	Bd T8-3
C#0	Sd T8 Rim
D0	Sd HipHop11
D#0	Clap T9
E0	Sd HipHop9
F0	Bd T8-3
F#0	HH Closed Tek
G0	Bd T8-3
G#0	HH Open Tek
A0	Bd T8-3
A#0	HH Open Tek
B0	Bd T8-3
C1	Bd Hip Deep
C#1	Sd Hip Stick4
D1	Sd Hip Rim1
D#1	HipHop clap1
E1	Sd Hip2
F1	Tom T8
F#1	HH Closed T8-2
G1	Tom T8
G#1	HH Open AnCR
A1	Tom T8
A#1	HH Open T8-1
B1	Tom T8
C2	Tom T8
C#2	Crash T9
D2	Tom T8
D#2	Crash Syn
E2	Crash Syn
F2	Crash T8
F#2	Tambourine RX5
G2	Splash R
G#2	Cowbell T8
A2	Crash T9
A#2	Cowbell AnCR
B2	Ride T9
C3	Bd Hip Deep
C#3	Sd Hip Stick5
D3	Sd Hip Rim2
D#3	HipHop clap2
E3	Sd Hip1
F3	Tom T9 Lo
F#3	HH Closed RX5
G3	Tom T9 Lo
G#3	HH Closed AnCR
A3	Tom T9 Lo
A#3	HH Open T8-2
B3	Tom T9 Lo
C4	Tom T9 Hi
C#4	Crash2 R
D4	Tom T9 Hi
D#4	Crash T8
E4	Crash Syn
F4	Crash T8
F#4	Tambourine1 Hit
G4	China L
G#4	Cowbell RX11
A4	Crash2 L
A#4	Cowbell1
B4	Ride2 L
C5	Bd Hip Deep
C#5	Sd HipHop Rim4
D5	Sd HipHop2
D#5	HipHop clap2
E5	Sd Hip Rim5
F5	Tom Dist Lo
F#5	HH Closed Hip
G5	Tom Dist Lo
G#5	HH Pedal Hip
A5	Tom Dist Hi
A#5	HH Open Hip
B5	Tom Dist Hi
C6	Tom Dist Hi

**DanceKicks**

Note	Wave Name
C0	Bd T9-1
C#0	Bd T9-1
D0	Bd T9-2
D#0	Bd T9-3
E0	Bd T9-3
F0	Bd T9-4
F#0	Bd T9 Hd1
G0	Bd T9 Hd2
G#0	Bd T9 Hd3
A0	Bd T9 Hd3
A#0	Bd Hard Long
B0	Bd AnCR
C1	Bd T9-1
C#1	Bd T9-2
D1	Bd T9-3
D#1	Bd T9-4
E1	Bd T9 Hd1
F1	Bd T9 Hd2
F#1	Bd T9 Hd3
G1	Bd T8-1
G#1	Bd T8-2
A1	Bd T8-3
A#1	Bd Elec1
B1	Bd AnCR
C2	Bd Human1
C#2	Bd Elec1
D2	Bd Blip
D#2	Bd BlpHd
E2	Bd Elec3
F2	Bd ElecFX1
F#2	Bd ElecFX2
G2	Bd ElecGate
G#2	Bd ElecClick
A2	Bd ElecPower1
A#2	Bd R&B2
B2	Bd Hip Deep
C3	Bd Break Deep
C#3	Bd Break1
D3	Bd ElecPower2
D#3	Bd Break Heavy
E3	Bd Break Hard
F3	Bd Distortion1
F#3	Bd Distortion2
G3	Bd Distortion3
G#3	Bd Distortion4
A3	Bd Distortion5
A#3	Bd Elec2
B3	Bd ElecComp1
C4	Bd FxHammer
C#4	Bd ZapHard
D4	Bd ZapMid
D#4	Bd Sustain
E4	Bd TekPower
F4	Bd Hard Long
F#4	Bd Analog Tight
G4	Bd AnaHard
G#4	Bd ElecComp2
A4	Bd ElecComp3
A#4	Bd Slimy
B4	Bd Gate
C5	Bd FX Gate
C#5	Bd HipHop1
D5	Bd HipHop2
D#5	Bd HipHop3
E5	Bd HipHop4
F5	Bd HipHop5
F#5	Bd HipHop6
G5	Bd HipHop7
G#5	Bd HipHop8
A5	Bd HipHop9
A#5	Bd HipHop10
B5	Bd Hard Long
C6	Bd Analog Tight

**ArabicMxd**

Note	Wave Name
C0	Wind Chime
C#0	Sd Brush Soft St
D0	Sd Brush Swir St
D#0	Sd Brush Med St
E0	Sd Brush SwirAtt St
F0	Sd LiveRoll St
F#0	Castanet
G0	Sd Normal 3St
G#0	Stick1
A0	Bd T9-2
A#0	Sd Basic St2-3
B0	Bd High L
C1	Bd Normal 2L
C#1	Sd Funk St2-3
D1	Sd Bld St3-4
D#1	HandClap L
E1	Sd Soul St3-4
F1	Tom Rock Low L
F#1	HH Closed 1-4R
G1	Tom Rock Mid R
G#1	HH Pedal 3 R
A1	Tom Floor L
A#1	HH Open 2R
B1	Tom Low L
C2	Tom Mid R
C#2	Crash2 St
D2	Tom Hi R
D#2	HH Open 2R
E2	Reverse Cymbal
F2	Timbale Lo1-2
F#2	Conga Hi Open 2
G2	Timbale Hi1-3
G#2	Conga Hi Slip Open
A2	Tambourine1 Sw
A#2	Tumba Open
B2	Cowbell1
C3	Clave
C#3	Bongo Hi 1Finger 1-2
D3	Wood Block
D#3	Bongo Lo 3Finger 1-2
E3	Wood Block
F3	Dohol Low
F#3	Cabasa1-2
G3	Dohol High
G#3	Shaker 1
A3	Castanet
A#3	Maracas Sw
B3	Castanet
C4	Twaisat3
C#4	Twaisat
D4	Twaisat2
D#4	Twaisat4
E4	Twaisat4
F4	Small Tabla Dom
F#4	Barasim Dom
G4	Small Tabla Snap
G#4	Barasim Sak
A4	Small Tabla Sak
A#4	Barasim Tak
B4	Small Tabla Tak
C5	Big Tabla Dom
C#5	Segal Dom
D5	Big Tabla Tak
D#5	Segal Tak
E5	Big Tabla Sak
F5	Tabla Dom
F#5	Tabla Tak1
G5	Tabla Tremolo
G#5	Tabla Tak2
A5	Tabla Tik1
A#5	Tabla Sak1
B5	Tabla Tik3
C6	Tabla Tik2

**Belly Kit**

Note	Wave Name
C0	Tabla Tik2
C#0	Wataiko
D0	Djembe Edge
D#0	Djembe Mute
E0	Djembe Open
F0	Djembe Combi
F#0	Tabla Bya
G0	Tabla Nah
G#0	Tabla Mute
A0	Tabla Combi
A#0	Small Tabla Dom
B0	Small Tabla Dom
C1	Bd Hard Long
C#1	Bd T9-1
D1	Sd T9-2
D#1	Electric Clap1
E1	Sd Strong L4
F1	Tom Dist Lo
F#1	HH Closed T9
G1	Tom Dist Hi
G#1	HH Closed T8-1
A1	Tom Syn1
A#1	HH Open T9
B1	Tom Syn2
C2	Sd Hip1
C#2	Crash4
D2	Sd D&B4
D#2	HH Closed Break
E2	Reverse Cymbal
F2	Timbale Lo1-2
F#2	Conga Hi Open 2
G2	Timbale Hi1-3
G#2	Conga Hi Slip Open
A2	Tambourine1 Sw
A#2	Tumba Open
B2	Cowbell1
C3	Clave
C#3	Bongo Hi 1Finger 1-2
D3	Wood Block
D#3	Bongo Lo 3Finger 1-2
E3	Wood Block
F3	Dohol Low
F#3	Cabasa1-2
G3	Dohol High
G#3	Shaker 1
A3	Castanet
A#3	Maracas Sw
B3	Castanet
C4	Twaisat3
C#4	Twaisat
D4	Twaisat2
D#4	Twaisat4
E4	Twaisat4
F4	Small Tabla Dom
F#4	Barasim Dom
G4	Small Tabla Snap
G#4	Barasim Sak
A4	Small Tabla Sak
A#4	Barasim Tak
B4	Small Tabla Tak
C5	Big Tabla Dom
C#5	Segal Dom
D5	Big Tabla Tak
D#5	Segal Tak
E5	Big Tabla Sak
F5	Tabla Dom
F#5	Tabla Tak1
G5	Tabla Tremolo
G#5	Tabla Tak2
A5	Tabla Tik1
A#5	Tabla Sak1
B5	Tabla Tik3
C6	Tabla Tik2

**Dance Snrs**

Note	Wave Name
C0	Sd FX1
C#0	Sd FX2
D0	Sd FX3
D#0	Sd FX4
E0	Sd Dist
F0	Sd Cut
F#0	Sd Garg H
G0	Sd Garg L
G#0	Sd FM
A0	Sd Syn
A#0	Sd Hammer
B0	Sd Lo-Fi
C1	Sd T9-1
C#1	Sd T9-2
D1	Sd T9-3
D#1	Sd T9-4
E1	Sd T9-5
F1	Sd T9Gate
F#1	Sd T8-1
G1	Sd T8-2
G#1	Sd T8-3
A1	Sd T8-4
A#1	Sd T8-5
B1	Sd AnSm
C2	Sd AnCR
C#2	Sd Human1
D2	Sd Jungle1
D#2	Sd Jungle2
E2	Sd Jungle3
F2	Sd JungleFX
F#2	Sd D&B1
G2	Sd D&B2
G#2	Sd D&B3
A2	Sd D&B4
A#2	Sd R&B1
B2	Sd R&B1 Rim
C3	Sd R&B2
C#3	Sd Hip1
D3	Sd Hip2
D#3	Sd Hip3
E3	Sd Hip Gate
F3	Sd Hip Rim1
F#3	Sd Hip Rim2
G3	Sd Hip Rim3
G#3	Sd Hip Rim4
A3	Sd Hip Rim5
A#3	Sd Break2
B3	Sd Break Heavy
C4	Sd Elec1
C#4	Sd Elec2
D4	Sd Elec3
D#4	Sd Elec4
E4	Sd Elec5
F4	Sd Elec6
F#4	Sd Elec7
G4	Sd Elec8
G#4	Sd Elec9
A4	Sd Elec10
A#4	Sd Elec11
B4	Sd Elec12
C5	Sd Elec1
C#5	Sd T8-2
D5	Sd Elec3
D#5	Sd Elec4
E5	Sd Elec5
F5	Sd Elec6
F#5	Sd Elec7
G5	Sd Elec1
G#5	Sd Elec8
A5	Sd Elec10
A#5	Sd Elec11
B5	Sd Elec12
C6	Sd T9-3

**Synth Kit**

Note	Wave Name
C0	Bd Elec2
C#0	Scratch Stop
D0	Sd Brush Swir L
D#0	Sd Brush Med R
E0	Sd Brush Swir St
F0	Sd Roll Mono
F#0	FM Bass6
G0	Seashore
G#0	Electric Perc4
A0	Bd ElecComp3
A#0	Sd Strong R3
B0	Bd Elec2
C1	Bd Slimy
C#1	Timbale Paila H
D1	Sd Piccolo
D#1	Clap AnSm
E1	Sd Elec10
F1	Mg Bass2
F#1	Hi Q2
G1	Mg Bass2
G#1	Electric Perc7
A1	Tom T8
A#1	HH Open T8-2
B1	Tom T8
C2	Tom T8
C#2	Crash3
D2	Tom T8
D#2	Ride Cup Mono
E2	Ride Cup Mono
F2	Ride Cup Mono
F#2	Scratch Sd F
G2	Ride Cup1 L
G#2	Electric Perc7
A2	Crash3
A#2	Hi-Lo
B2	China2
C3	Ring Mod
C#3	Electric Perc8
D3	Ring Mod
D#3	Electric Perc7
E3	Electric Perc11
F3	Paila H
F#3	Paila H
G3	Hop FX2
G#3	Hop FX2
A3	Scratch H
A#3	Scratch Hi F
B3	Zap2
C4	LFO Seq
C#4	LFO Seq
D4	Mini Bass3a
D#4	Quiek
E4	Digi Breath
F4	DigiHeli
F#4	Electric Perc7
G4	FM Organ1
G#4	Tibetan Bowl
A4	Tibetan Bowl
A#4	Segal Dom
B4	Engine Room L
C5	Electric Perc8
C#5	Steel Mute L
D5	Mini Blip2
D#5	Spectrum2
E5	Mini Blip5
F5	Noise
F#5	Bd D&B1
G5	Spectrum2
G#5	SabreTone
A5	Electric Perc14
A#5	Electric Perc8
B5	DigiHeli
C6	Wind Chime

**St. GM Kit**

Note	Wave Name
C0	Clave
C#0	Sd Brush Soft St
D0	Sd Brush Swir St
D#0	Sd Brush Med St
E0	Sd Brush SwirAtt St
F0	Sd LiveRoll St
F#0	Castanet
G0	Sd Normal 3St
G#0	Stick1
A0	Bd Funk 2 R
A#0	Sd Basic St2-3
B0	Bd High L
C1	Bd Normal 2L
C#1	Sd Closed Rim St
D1	Sd Normal St3-4
D#1	Clap T9
E1	Sd Basic St2-3
F1	Tom Floor L
F#1	HH Closed 1-4R
G1	Tom Low L
G#1	HH Pedal 3 R
A1	Tom Low L
A#1	HH Open 2R
B1	Tom Mid R
C2	Tom Mid R
C#2	Crash2 L
D2	Tom Hi R
D#2	Ride1 L
E2	China L
F2	Ride Cup1 L
F#2	Tambourine1 Sw
G2	Splash R
G#2	Cowbell2
A2	Crash2 L
A#2	Vibraslap
B2	Ride1 L
C3	Bongo Hi 1Finger 1-2
C#3	Bongo Lo 3Finger 1-2
D3	Conga Hi Tip
D#3	Conga Hi Open 2
E3	Tumba Open
F3	Timbale Hi1-3
F#3	Timbale Lo1-2
G3	Agogo Hi
G#3	Agogo Lo
A3	Cabasa1-2
A#3	Maracas Slur
B3	Whistle
C4	Whistle
C#4	Guiro Short
D4	Guiro Long
D#4	Clave
E4	Wood Block
F4	Wood Block
F#4	Cuica Hi
G4	Cuica Lo
G#4	Triangle Mute
A4	Triangle Open
A#4	Shaker 1
B4	Sleigh Bell
C5	Wind Chime
C#5	Sd Blues 3L
D5	Sd Tight St3-4
D#5	Sd BluesHeart.3R
E5	Sd Hip St1-2
F5	Bd Low L
F#5	Sd LdwHMMono
G5	Bd R&B1
G#5	Sd Heavy
A5	Bd Room1
A#5	Sd Ambience
B5	Bd Funk Son L
C6	Bd Room2

**Pop Latin**

Note	Wave Name
C0	Clave
C#0	Cajon Kick
D0	Cajon Slap
D#0	Cajon Tip 1-2
E0	Clave
F0	Wood Block
F#0	HandClap L
G0	Ride2 L
G#0	HipHop Snap2
A0	Castanet
A#0	Conga Hi Tip
B0	Conga Hi Heel
C1	Conga Hi Open 1-2
C#1	Conga Hi Mute
D1	Conga Hi Slp Open
D#1	Conga Hi Slap
E1	Conga Hi SlapMute1-2
F1	Conga Lo Tip
F#1	Conga Lo Heel
G1	Conga Lo Open 1-2
G#1	Conga Lo Mute
A1	Conga Lo SlapOpen
A#1	Conga Lo SlapOpen
B1	Conga Lo Open 1
C2	Bongo Hi 1Finger 1-2
C#2	Bongo Hi 3Finger 1-2
D2	Bongo Hi Rim
D#2	Bongo Hi Tip
E2	Bongo Hi Heel
F2	Bongo Hi Slap
F#2	Bongo Lo 1Finger 1-2
G2	Bongo Lo 3Finger 1-2
G#2	Bongo Lo Rim
A2	Bongo Lo Tip
A#2	Bongo Lo 3Finger 1-2
B2	Bongo Hi Slap
C3	Timbale Lo1-2
C#3	Quinto1 Slap
D3	Quinto1 Open
D#3	Conga Hi Tip
E3	Tumba Open
F3	Paila L
F#3	Timbale Hi1-3
G3	Pandeiro Open
G#3	Pandeiro Thump
A3	Pandeiro Tip
A#3	Pandeiro Heel
B3	Paila H
C4	Cowbell2
C#4	Cowbell2
D4	Agogo Hi
D#4	Agogo Hi
E4	Guiro Short
F4	Guiro Long
F#4	MetalGuiro Short1-2
G4	MetalGuiro Long
G#4	Tambourine1 Sw
A4	Tmbourim Open
A#4	Tmbourim Mute
B4	Tmbourim Finger
C5	Maracas Sw
C#5	Shaker 1/3
D5	Cabasa 1-2
D#5	Cuica Lo
E5	Cuica Hi
F5	Cowbell1
F#5	Mambo Body
G5	Shekere Down
G#5	Shekere Sap
A5	Triangle Mute
A#5	Triangle Open
B5	Whistle
C6	Wind Chime

**Perc Kit**

Note	Wave Name
C0	Wataiko
C#0	Udu High
D0	Djembe Open
D#0	Quinto1 Open
E0	Udu Low
F0	Udu Finger
F#0	Udu High
G0	Tabla Bya
G#0	Tmbourim Open
A0	Tabla Mute
A#0	Tabla Nah
B0	Tabla Mute
C1	Timpani Hard St
C#1	Hit Uhh
D1	Bongo Hi 1Finger 1-2
D#1	Clap T9
E1	Triangle Mute
F1	Triangle Open
F#1	Castanet
G1	Castanet
G#1	Castanet
A1	Guiro Long
A#1	Guiro Swp
B1	Guiro Short
C2	Vibraslap
C#2	Clave
D2	Clave T8
D#2	Cuica Lo
E2	Cuica Hi
F2	Timbale Lo1-2
F#2	Wood Block
G2	Timbale Lo2
G#2	Wood Block
A2	Timbale Hi1-3
A#2	ChaCha
B2	Timbale Hi2
C3	Timbale Paila L
C#3	Timbale Paila L
D3	Timbale Paila H
D#3	Mambo B1
E3	Bongo Lo 3Finger 1-2
F3	Bongo Lo 3Finger 1-2
F#3	Handbell L
G3	Bongo Hi 1Finger 1-2
G#3	Handbell H
A3	Bongo Hi 1Finger 1-2
A#3	Agogo Lo
B3	Agogo Hi
C4	Conga Hi Heel
C#4	Conga Hi Tip
D4	Tumba Slap
D#4	Maracas Slur
E4	Tumba Open
F4	Conga Hi Heel
F#4	Conga Hi Tip
G4	Conga Hi Slp Open
G#4	Shaker 1
A4	Conga Hi Open 2
A#4	Cabasa 1
B4	Cabasa1-2
C5	Conga Hi Heel
C#5	Conga Hi Tip
D5	Quinto1 Slap
D#5	Shaker 1
E5	Quinto2 Open
F5	Caxixi1-2
F#5	Tambourine1 Shake
G5	Tambourine1 Hit
G#5	Tambourine1 Sw
A5	Tambourine1 Hit
A#5	Sleigh Bell
B5	Whistle
C6	Whistle

**LatPercKit**

Note	Wave Name
C0	Bd L Son L
C#0	Sd Rock Stick2 R
D0	Sd Funk 3St
D#0	Crash2 St
E0	Splash R
F0	Tom Low L
F#0	HH Closed 1-4R
G0	Tom Low L
G#0	HH Pedal 3 R
A0	Tom Mid R
A#0	HH Open 2R
B0	Tom Hi R
C1	Conga Hi Tip
C#1	Conga Hi Heel
D1	Tumba Slap
D#1	Clave
E1	Tumba Open
F1	Conga Hi Tip
F#1	Conga Hi Heel
G1	Conga Hi Slp Open
G#1	Handbell L
A1	Conga Hi Open 2
A#1	Handbell H
B1	Mambo B1
C2	Conga Hi Tip
C#2	Conga Hi Heel
D2	Quinto1 Slap
D#2	ChaCha
E2	Quinto1 Open
F2	Bongo Lo 3Finger 1-2
F#2	Bongo Hi 1Finger 1-2
G2	Bongo Hi 3Finger 1-2
G#2	Timbale Lo1
A2	Timbale Paila L
A#2	Timbale Hi1
B2	Timbale Paila H
C3	Wood Block
C#3	Wood Block
D3	Shekere Down
D#3	Shekere Up
E3	Shekere Sap
F3	Maracas Slur
F#3	Maracas Staccato
G3	Guiro Long
G#3	Guiro Swp
A3	Guiro Short
A#3	Surdo Mute
B3	Surdo Open
C4	Pandeiro Tip
C#4	Pandeiro Heel
D4	Pandeiro Thump
D#4	Pandeiro Open
E4	Tmbourim Finger
F4	Tmbourim Open
F#4	Tmbourim Mute
G4	Agogo Lo Tap
G#4	Agogo Lo
A4	Agogo Hi
A#4	Triangle Open
B4	Triangle Mute
C5	Shaker 2
C#5	Shaker 1
D5	Shaker 3
D#5	Cabasa1
E5	Cabasa2
F5	Caxixi1
F#5	Caxixi2
G5	Cuica Lo
G#5	Cuica Hi
A5	Whistle
A#5	Whistle
B5	Vibraslap
C6	Wind Chime

**Wacko Kit**

Note	Wave Name
C0	Electric Bass FX 01
C#0	Zap2
D0	HH Pedal D&B
D#0	HandClap L
E0	Scratch Vo F
F0	IndusTom
F#0	Sd Wood
G0	IndusTom
G#0	Sd ClapAna
A0	IndusTom
A#0	Sd FM Rim
B0	Bd FX Gate
C1	Bd FxHammer
C#1	Conga Hi Slp Open
D1	Sd FM
D#1	HandClap L
E1	Sd Timbr
F1	Tom Syn2
F#1	HH Closed Syn
G1	Tom Syn2
G#1	HH Open Syn
A1	Tom Syn2
A#1	HH Open Syn
B1	Tom Syn2
C2	Tom Syn2
C#2	HH Open Mono
D2	Sonar1
D#2	HH Open T8-1
E2	HH Open Mono
F2	Ride Cup2 L
F#2	Sleigh Bell
G2	HH Open T8-2
G#2	Resonance X-Fade
A2	Crash2 L
A#2	RainLoop
B2	Ride Cup2 L
C3	AirHose L
C#3	AirHose L
D3	Udu High
D#3	Mg Bass2
E3	Mg Bass3
F3	Acoustic Bass FX06
F#3	Acoustic Bass FX06
G3	Agogo Lo
G#3	Agogo Lo
A3	HH Open Human
A#3	Vox Hit Rev
B3	Hi Q1
C4	Hi Q1
C#4	LFO Seq
D4	LFO Seq
D#4	BellAir
E4	HH Hit
F4	HH Hit
F#4	Ooh Feedback
G4	Ooh Feedback
G#4	Mind Bell
A4	Glass
A#4	Swarm
B4	FxGun2
C5	Lektronica
C#5	Distortion FX
D5	Gunshot
D#5	Police
E5	Ripper
F5	Distortion FX
F#5	Tape Rewind
G5	FxGun1
G#5	Bomb
A5	Zap2
A#5	Noise Burst
B5	Stab Giant
C6	Stab Orchestra

**WoodBitKit**

Note	Wave Name
C0	Clave T8
C#0	Sd Hip Stick6 R
D0	Guiro Long
D#0	Sd Hip Stick6 R
E0	Guiro Long
F0	AcousticGtr FX13 R
F#0	Castanet
G0	Electric Bass FX 11
G#0	Stick1
A0	Electric Bass FX 08
A#0	Electric Bass FX 07
B0	Tom T9 Hi
C1	Electric Bass FX 17
C#1	Sd Closed Rim3
D1	Stick2
D#1	Guiro Long
E1	Stick2
F1	Surdo Open
F#1	Sd AnSm Rim
G1	Surdo Open
G#1	Clap AnSm
A1	Surdo Open
A#1	Vibraslap
B1	Surdo Open
C2	Surdo Open
C#2	Seashore
D2	Surdo Open
D#2	Sd Rock Stick2 R
E2	Applause
F2	Sd Rock Stick1 R
F#2	Tambourine1 Shake
G2	Seashore
G#2	Wood Block
A2	Applause
A#2	Helicopter
B2	Sd Rock Stick2 R
C3	Conga Hi Slp Open
C#3	Conga Hi Slp Open
D3	Castanet
D#3	Castanet
E3	Wood Block
F3	Timbale Paila L
F#3	Timbale Paila L
G3	Stick1
G#3	Stick2
A3	Caxixi1-2
A#3	Caxixi2
B3	Door Squeak
C4	Door Squeak
C#4	Guiro Short
D4	Guiro Long
D#4	Clave
E4	Wood Block
F4	Wood Block
F#4	Door Squeak
G4	Door Squeak
G#4	Wood Block
A4	Clave
A#4	Door Squeak
B4	HandClap L
C5	ChaCha
C#5	Sd Rock Open2 R
D5	Bd Jungle3
D#5	Quinto1 Slap
E5	Bd Room2
F5	Bd H.Son L
F#5	Sd Heavy
G5	Surdo Open
G#5	Sd Rock Stick1 R
A5	Bd Slimy
A#5	Sd Gate1
B5	Bd Funk Son L
C6	Bd Gate

**MetlBitKit**

Note	Wave Name
C0	Cowbell T8
C#0	HH Closed 4R
D0	Ride Cup2 L
D#0	HH Open Syn
E0	Ride Cup2 L
F0	Ride Cup1 L
F#0	FM Metal2
G0	Ride1 L
G#0	Electric Perc7
A0	Cowbell2
A#0	HH Closed 1R
B0	ChaCha
C1	Cowbell2
C#1	HH Closed Syn
D1	HH Open Tek
D#1	HH Closed T8-2
E1	HH Closed RX5
F1	Cowbell2
F#1	HH Open T8-1
G1	Cowbell2
G#1	HH Closed Syn
A1	Cowbell2
A#1	HH Open Syn
B1	Cowbell2
C2	Cowbell2
C#2	HH Open FX
D2	Cowbell2
D#2	Ride Cup1 L
E2	HH Open AnCR
F2	Ride Cup1 L
F#2	Tambourine1 Sw
G2	HH Open FX
G#2	Mambo BI2
A2	HH Open FX
A#2	Sleigh Bell
B2	Ride Mono
C3	Brite Piano
C#3	Brite Piano
D3	Tubular Bell
D#3	Bell
E3	Brass Bell
F3	Timbale Paila H
F#3	Timbale Paila L
G3	Bell
G#3	Bell
A3	HH Closed 1R
A#3	HH Open AnCR
B3	BellAir
C4	FX Chime
C#4	HH Open Rock R
D4	Lektronica
D#4	Agogo Lo
E4	Cowbell1
F4	Cowbell2
F#4	Hi-Lo
G4	Hi-Lo
G#4	Triangle Mute
A4	Triangle Open
A#4	FX Chime
B4	Sleigh Bell
C5	Wind Chime
C#5	Small Bell
D5	Small Bell
D#5	Brass Bell
E5	Hibashi
F5	Brite Piano
F#5	Sd LdwHMono
G5	Brite Piano
G#5	Sd BreakRim
A5	Gamelan2
A#5	Udu Finger
B5	Finger Cymbal
C6	Bell

**Hands Kit**

Note	Wave Name
C0	Tabla Mute
C#0	Sd Brush Soft St
D0	Sd Brush Swir St
D#0	Sd Brush Med St
E0	Sd Brush SwirAtt St
F0	AcousticGtr FX29 R
F#0	Stick2
G0	Pandeiro Thump
G#0	Tabla Mute
A0	Electric Bass FX 16
A#0	AcousticGtr FX17 R
B0	Tabla Combi
C1	Wataiko
C#1	Quinto1 Slap
D1	Sd Brush Med St
D#1	HandClap L
E1	Sd Funk Ay L
F1	Udu Low
F#1	Tabla Mute
G1	Udu Low
G#1	Tabla Bya
A1	Udu High
A#1	Tabla Nah
B1	Udu High
C2	Udu Finger
C#2	Ride2 L
D2	Udu Finger
D#2	Ride Cup1 L
E2	Ride Cup Mono2
F2	Ride Cup1 L
F#2	Tambourine1 Hit
G2	Ride Cup1 L
G#2	Cowbell1
A2	Ride Mono
A#2	Vibraslap
B2	Ride2 L
C3	Bongo Hi 1Finger 1-2
C#3	Bongo Lo 3Finger 1-2
D3	Conga Hi Tip
D#3	Conga Hi Slp Open
E3	Conga Hi Open 2
F3	Timbale Hi1-3
F#3	Timbale Lo1-2
G3	Agogo Hi
G#3	Agogo Lo
A3	Tmbourim Finger
A#3	Tmbourim Finger
B3	HandClap L
C4	HandClap L
C#4	Guiro Long
D4	Guiro Long
D#4	Udu Finger
E4	Tabla Bya
F4	Conga Hi Tip
F#4	Udu High
G4	Udu High
G#4	Udu Finger
A4	Finger Cymbal
A#4	Tabla Mute
B4	Sleigh Bell
C5	Wind Chime
C#5	Conga Hi Slp Open
D5	Tumba Tip
D#5	Tumba Tip
E5	Electric Bass FX 08
F5	Tumba Tip
F#5	Electric Bass FX 01
G5	Tumba Open
G#5	Electric Bass FX 06
A5	AcousticGtr FX04 R
A#5	Udu Low
B5	Djembe Combi
C6	Tumba Slap

**Scratches**

Note	Wave Name
C0	Scratch H
C#0	Scratch L
D0	Scratch Down
D#0	Scratch Hi F
E0	Scratch Hi R
F0	Scratch Lo F
F#0	Scratch Lo R
G0	Scratch Bd F
G#0	Scratch Bd R
A0	Scratch Sd F
A#0	Scratch Sd R
B0	Scratch Vo F
C1	Scratch H
C#1	Scratch L
D1	Scratch Down
D#1	Scratch Hi F
E1	Scratch Hi R
F1	Scratch Lo F
F#1	Scratch Lo R
G1	Scratch Bd F
G#1	Scratch Bd R
A1	Scratch Sd F
A#1	Scratch Sd R
B1	Scratch Vo F
C2	Scratch Vo R
C#2	Scratch Stop
D2	Scratch Spin
D#2	Scratch Hip
E2	Scratch Hip2
F2	Scratch Combi
F#2	Scratch Combi2
G2	Scratch Combi3
G#2	Scratch Combi4
A2	Scratch H
A#2	Scratch L
B2	Scratch Down
C3	Scratch Hi F
C#3	Scratch Hi R
D3	Scratch Lo F
D#3	Scratch Lo R
E3	Scratch Bd F
F3	Scratch Bd R
F#3	Scratch Sd F
G3	Scratch Sd R
G#3	Scratch Vo F
A3	Scratch Vo R
A#3	Scratch Stop
B3	Scratch Spin
C4	Scratch Hip
C#4	Scratch Hip2
D4	Scratch Combi
D#4	Scratch Combi2
E4	Scratch Combi3
F4	Scratch Combi4
F#4	Scratch H
G4	Scratch L
G#4	Scratch Down
A4	Scratch Hi F
A#4	Scratch Hi R
B4	Scratch Lo F
C5	Scratch Lo R
C#5	Scratch Bd F
D5	Scratch Bd R
D#5	Scratch Sd F
E5	Scratch Sd R
F5	Scratch Vo F
F#5	Scratch Vo R
G5	Scratch Stop
G#5	Scratch Spin
A5	Scratch Hip
A#5	Scratch Hip2
B5	Scratch Combi
C6	Scratch Combi2

**Spec SFXs**

Note	Wave Name
C0	Mini Blip2
C#0	Mini Blip1
D0	Mini Blip3
D#0	Mini Blip4
E0	Mini Blip5
F0	Mini Blip6
F#0	Bell FX1
G0	Bell FX2
G#0	Electric Perc4
A0	Electric Perc6
A#0	Electric Perc15
B0	Electric Perc5
C1	Electric Perc2
C#1	Electric Perc3
D1	Electric Perc7
D#1	Electric Perc8
E1	Electric Perc9
F1	Electric Perc10
F#1	Electric Perc14
G1	Electric Perc13
G#1	Neo Seq Em-3
A1	Spectrum1
A#1	Spectrum3
B1	Spectrum2
C2	Whisper Seq Bb
C#2	Digi Voice Mod
D2	Moving Chime L
D#2	Engine Room L
E2	Raspberry
F2	DigiHeli
F#2	Hop FX2
G2	Willow L
G#2	Anemone R
A2	Magnitude R
A#2	Radio Noise
B2	Quiiek
C3	Stab Giant
C#3	HH Hit
D3	Stab Hard
D#3	Stab Organ2
E3	Stab Aah
F3	Hit Uhh
F#3	Hit Orchestra2
G3	Hit Orchestra1
G#3	Hit Brass
A3	Orchestra Hit1 R
A#3	Orchestra Hit2 L
B3	Brass Sect Fall
C4	Dist/Overdrive FX
C#4	Distortion FX
D4	ElectricGtr FX23
D#4	Acoustic Bass FX04
E4	Acoustic Bass FX05
F4	Acoustic Bass FX01
F#4	Scratch H
G4	Scratch L
G#4	Scratch Down
A4	Scratch Hi F
A#4	Scratch Stop
B4	Tape Rewind
C5	Ripper
C#5	Noise Burst
D5	Zap1
D#5	Zap2
E5	Hi Q1
F5	Hi Q2
F#5	Bomb
G5	FxGun1
G#5	Motion Beam
A5	Birch L
A#5	Tri Wave
B5	FM Bass2
C6	FM Metal2

## SFX Kit

Note	Wave Name
C0	Fat Saw Mn
C#0	Scratch Attack
D0	Spectrum2
D#0	3o3 Saw2
E0	TurnTable
F0	Sd Roll Mono
F#0	FM Bass6
G0	Tape Rewind
G#0	Electric Perc5
A0	Bd ElecComp2
A#0	Sd Normal St3-4
B0	Bd Slimy
C1	Bd Elec2
C#1	Mini Bass3a
D1	Sd BluesHeart St2-3
D#1	3o3 Square
E1	Sd SonA 3L
F1	Tom Dist Hi
F#1	DigiHeli
G1	Tom Dist Hi
G#1	Electric Perc2
A1	Tom Dist Hi
A#1	HH Open T8-2
B1	Tom Dist Hi
C2	Tom Dist Hi
C#2	Crash3
D2	Tom Dist Hi
D#2	Ride Cup1 L
E2	Ride2 L
F2	Ride Cup Mono2
F#2	Scratch Hi F
G2	Splash R
G#2	Mini Bass1
A2	Crash1 L
A#2	Engine Room L
B2	Ride Cup1 L
C3	Sync LFO
C#3	P5 SawDown 0 dg
D3	OB Strings
D#3	Sd Normal 3St
E3	Electric Perc11
F3	PWM Slow
F#3	LFO Seq
G3	BigSyn
G#3	BigSyn
A3	Hit Orchestra2
A#3	Twaisat4
B3	Digi 03
C4	Digi 03
C#4	Digi 01
D4	Digi 01
D#4	Sonar1
E4	Stab Hard
F4	Engine Room L
F#4	Chatter
G4	Hoo
G#4	Mondira
A4	Mondira
A#4	Rotor
B4	Raspberry
C5	DigiHeli
C#5	3o3 Square
D5	Hop FX2
D#5	DigiBell3
E5	Vox Hit Rev
F5	Hi Q1
F#5	Tape Rewind
G5	FxGun2
G#5	FxGun1
A5	Thunder
A#5	Police
B5	Bomb
C6	Bomb

# Performance List

Number	Performance Name	Keyboard Mode	Split Point	Arpeggio	Auto Keyon Start	Voice			
						Part1	Part2	Part10	
001	A01	MXCategory	single	C4	on	off	CncrtGrand	Amb Pizza	Break Kit
002	A02	Sirius	layer	C3	on	on	AmbSyn pad	TranceLine	AnlgT8 Kit
003	A03	XXX Rock	layer	D#3	on	on	OverTheTop	Chili Bass	RckSteKit1
004	A04	Baked XxX	layer	C4	on	on	LandingPad	Analog	8ZOxidized
005	A05	TranceGate	split	C3	on	on	MysticTrnc	Trance Bs	Trance Kit
006	A06	EastSlider	split	C3	on	on	Soft RnB	VintgSaw 2	NuHH Kit 1
007	A07	Funk It !	layer	C3	on	on	Baby	SlapSwitch	PwrStdKit1
008	A08	Jam Hood	layer	G3	on	on	Analog Pno	Dark Uni	HipHopKit3
009	A09	@ Night	layer	C4	on	on	BPF Sweep	IbizaGrv	8ZHevyHrts
010	A10	BellyDance	split	G3	on	on	Yayli	Noise Bass	Belly Kit
011	A11	Rock'n Syn	layer	C4	on	on	PWM Perc	Big Syn	RckSteKit1
012	A12	DP Show	layer	G3	on	on	Quick Bows	Puncher	R&B Kit 2
013	A13	Paris MX	layer	C4	on	on	ParistNite	Wobbly	Stick Kit1
014	A14	Born Remix	split	C3	on	on	FatSaw Arp	Perc Seq	Trance Kit
015	A15	TrancyPizz	split	C4	on	on	RainTrance	Pizza No.1	Trance Kit
016	A16	PsyTrncMW	split	C3	on	on	TranceLine	ShrtSeqBs	Psych Kit
017	B01	Ana Warm	layer	C4	off	off	Analog	DreamShift	MetIBltKit
018	B02	Wobbling	layer	C4	on	on	LandingPad	Bitng	8Z Glitch
019	B03	Montuno	layer	G3	on	on	CncrtGrand	StrtFngr	DryStd Kit
020	B04	Bug Breath	layer	C4	on	off	PercChords	Together!	Human Kit
021	B05	Yah-Yo-Jah	layer	C3	on	on	CleanNoise	West Coast	HipHopKit3
022	B06	PlanetRock	layer	C3	off	on	CncrtGrand	Unison	Brush Kit
023	B07	Dreamer	layer	C4	on	on	MorningDew	IbizaGrv	Ethnology
024	B08	Coriander	layer	C4	on	on	Vanilla	My Reality	SynPop Kit
025	B09	DarkAfrica	layer	C3	on	on	P5 Analog	RnBass	DryStd Kit
026	B10	Dirty Subs	split	C4	on	on	OnTheVerge	Pulse Step	Stick Kit 1
027	B11	I Wub You	layer	C4	on	on	BuzzAround	Rap Lead 1	Hard Kit
028	B12	OverTheSea	layer	C4	on	off	ChillCmp 1	Dream'nOfU	Acid Kit
029	B13	Jack'sBack	layer	G3	on	on	Ntrl Wurli	Vintage JB	Brush Kit
030	B14	Arp Spider	layer	C4	on	on	Recycling	FatSaw Arp	ChllOutKit
031	B15	LectroBeat	layer	C3	on	on	Wild Horse	E. Beatz	Trance Kit
032	B16	Mo'Flute-S	single	G3	on	off	Sweet Fit	FngrBsAmp	DryStd Kit
033	C01	Solo Synth	split	C3	on	on	Mini Soft	3 VCOs	RckSteKit1
034	C02	Snowflakes	layer	C4	on	on	CncrtGrand	ThinkOfYou	DryStd Kit
035	C03	Rip Bell	layer	C4	off	on	Bell Chiff	Nightrain	Wacko Kit
036	C04	J-Otaku	split	C4	on	on	ChillChrds	Trance Bs	Trance Kit
037	C05	US Rock	split	C3	on	on	Mid Drive	Hard Rockr	RckSteKit1
038	C06	Remainder	layer	C4	on	off	RndmBeatz	Trailing	Trance Kit
039	C07	CuriousBot	layer	C4	on	on	Disco	Jegog	Yellow Men
040	C08	Ivory Tale	layer	C4	off	off	P.&Strings	Rock Grand	Break Kit
041	C09	Slow Roll	layer	C3	on	on	Particle	Electronix	DistrdKit
042	C10	Surfer Joe	split	G3	on	on	TnyCmboBr1	Pick Mute	PwrStdKit2
043	C11	EthnoDance	layer	C4	on	on	Trailing	Chyo Ethno	HipHopKit1
044	C12	The Grid	layer	C4	on	off	Tron Flute	Perc Seq	Acid Kit
045	C13	RotaryWind	layer	C4	on	off	CyberCycle	XtremeHarp	DnB Kit
046	C14	Practise X	split	C4	on	on	SnakeFngr	Hard Ramp	8Z Romps
047	C15	Contempl8	layer	C4	on	on	Vintg Case	ChillCmp 2	HipHopKit3
048	C16	FloorPump	split	G3	on	on	CosmicGate	Rave Blade	R&B Kit 1
049	D01	Last Train	layer	C4	on	on	Analog	Modifier X	Human Kit
050	D02	Cultural	layer	C4	on	on	Nomad	ArabicMxd	Hands Kit
051	D03	Moon Club	split	G3	on	on	5th Dancer	Moon Bass	Garage Kit
052	D04	Submarine	layer	C4	on	off	Metamorph	Champ	Garage Kit
053	D05	Cali Girls	layer	G3	on	on	PWM Perc	SlapSwitch	HouseKit 1
054	D06	LastResort	layer	C4	on	on	Gtd Detune	Dream'nOfU	Human Kit
055	D07	Psy Step	layer	C4	on	off	SlowPWMBrs	Haah Pad	8ZDnB Mchn
056	D08	Under Rule	split	C3	on	on	Baby	PrFlatWnd	PwrStdKit2
057	D09	Dubbin	layer	C4	on	off	Electronix	Drop Zone	DnB Kit
058	D10	Paris Nite	layer	C4	on	on	ParistNite	Cocktail	PwrStdKit1
059	D11	Cyclone	layer	C4	on	off	OctoStrbe2	Trailing	HouseKit 1
060	D12	The Return	layer	C4	on	on	Early 70's	RandomCoco	Yellow Men
061	D13	Hydrogen	layer	C4	on	on	4Evr Glory	Recycling	HouseKit 1
062	D14	Neonlight	layer	C4	on	off	Space Vox	StereoHrp	ElectrcKit
063	D15	Tronology	split	C3	on	on	Dream'nOfU	Phat Three	AnlgT8 Kit
064	D16	Tony Time	layer	C4	on	on	RemoteSpc	NylonChll	AnlgT8 Kit

Number	Performance Name	Keyboard Mode	Split Point	Arpeggio	Auto Keyon Start	Voice			
						Part1	Part2	Part10	
065	E01	CntryRockr	layer	C3	on	on	2 CoilSlide	Active P	PwrStdKit1
066	E02	Cassette D	split	G3	on	on	TEKIE	Bass&EQ	HipHopKit1
067	E03	Circusy	layer	G3	on	on	SquiffyMis	Dark Bass	Wacko Kit
068	E04	Writer2013	layer	G3	on	on	CncrtGrand	2 CoilSlide	8ZGtdBeatz
069	E05	Chill4You	layer	C4	on	on	Chillbiza	ThinkOYou	DryStd Kit
070	E06	SciFIMoov	layer	C4	off	off	Wind Synth	Rd2Nowhere	Brush Kit
071	E07	Break Bott	layer	C4	on	on	XtremeWhl	Soft5thBrS	ArabicMxd
072	E08	DontUcare?	layer	C4	off	off	BackGround	Strs+Choir	8ZNoizXprs
073	E09	Bubble Dub	split	G3	on	on	Bollinger	Fundamentl	HousCmpKit
074	E10	Contrasts	layer	C4	on	on	Trailing	Quartet	Jazz Kit
075	E11	Breakfast3	layer	C4	on	on	5th Atmos	Chillbiza	8ZChillBrk
076	E12	Summit	split	F3	on	on	IbizaGrv	Compu Bass	HipHopKit1
077	E13	BlGolHousE	layer	C4	on	off	Happy Hour	Tekk Glide	Break Kit
078	E14	Mars Dawn	layer	C4	off	on	Zero Two	RemoteSpc	MetIBltKit
079	E15	AcientBeat	layer	C4	on	off	Mr.Sinistr	Dream'nOfU	Trance Kit
080	E16	US Beauty	layer	C4	on	on	Piano Back	GlistenLd	RckSteKit1
081	F01	Air Pocket	layer	C4	on	off	XtremeHarp	Pizza No.1	Garage Kit
082	F02	DestructMe	layer	C3	on	off	Investiktr	8ZDestruct	Scratching
083	F03	ChartBustr	split	G3	on	on	Tekk Glide	KickBass	Trance Kit
084	F04	Funkey	split	F3	on	on	Hard Vintg	SimplePick	PwrStdKit1
085	F05	Mean Step	split	G3	on	on	Ob Horns	Panther	Trance Kit
086	F06	Piano&Pad	layer	C4	off	on	CncrtGrand	BackGround	AnlgT8 Kit
087	F07	LiquidTine	layer	C4	off	on	Vinyl EP	Bell Chiff	AmbientKit
088	F08	DownWIDat	split	C3	on	off	Pluk-o-dy	West Coast	HipHopKit4
089	F09	TheLastDay	layer	F3	on	on	Electraid	Yayli	PwrStdKit2
090	F10	Ripper	layer	C3	on	on	ChillChrds	NerveNasty	Acid Kit
091	F11	Rag-Time	split	C3	on	on	Honkytonk	Upright	Jazz Kit
092	F12	Pandora	layer	C3	on	off	Mr. Wah!	8Z Dub EI	Spec SFXs
093	F13	Compu-ta	split	C3	on	on	>Attack<	Dry SynBs	AnlgT8 Kit
094	F14	Temptation	layer	C3	on	on	Rezz Punch	AmbSyn pad	RckSteKit2
095	F15	SciFy Eye	layer	C4	off	off	Industrial	OuterPlnet	SFX Kit
096	F16	Irie Flex	split	G3	on	off	LotsOBrass	Army Bass	HipHopKit4
097	G01	80s stuff	split	C3	on	on	TEKIE	BoogieLgto	AnlgT9 Kit
098	G02	Amazon	layer	C4	on	off	Jegog	Hollow Seq	MetIBltKit
099	G03	RudeAwake!	layer	C3	on	on	Bleep Lead	Growl Tekk	Big Kit
100	G04	Drivin'	split	C3	on	on	PercChords	Hyper Vel	HouseKit 1
101	G05	Big Drop	split	C3	on	on	ClubFinger	Wah Bass	Wacko Kit
102	G06	Metal Game	layer	C4	on	on	5th Atmos	E Games	E. Beatz
103	G07	Mince	split	F3	on	on	Exotic	Acid Fun	AnlgT8 Kit
104	G08	Suspense	layer	C4	on	off	Orc Perc	Symph Pizz	Orch Kit
105	G09	DistoDream	split	C4	on	off	LatinLover	ProgRockLd	HouseKit 1
106	G10	Bangerang	layer	C4	off	off	8ZHSHaker	8ZDownTemp	HipHopKit1
107	G11	SeaFactory	layer	C4	off	off	BadWeather	Industrial	DnB Kit
108	G12	Cosmetic	layer	C4	on	on	CosmicGate	Dim	HipHopKit3
109	G13	909Swinger	split	C3	on	on	Velo Falls	Lo Boy	AnlgT9 Kit
110	G14	Naybahood	split	C3	on	on	Rap Lead 2	Boom Bass	HipHopKit1
111	G15	Rising Sun	layer	C4	on	off	Perc Seq	Simply Fat	DnB Kit
112	G16	Chip Tunez	layer	C4	on	on	Moon Bass	Wazzo	8ZChillBrk
113	H01	Mono Drop	layer	C4	on	off	Big Drone	Noise Bass	AnlgT8 Kit
114	H02	Galaxies	layer	C4	on	on	Philanger	Elec Blue	8ZDownTemp
115	H03	Rezo Dance	layer	C4	on	on	Hollow Seq	CallingRez	AnlgT8 Kit
116	H04	AgroBuildu	layer	C4	off	on	Smacked	PsychNoise	HousCmpKit
117	H05	Mural	layer	F3	on	on	Mr.Sinistr	Chord Fest	HipHopKit3
118	H06	Twinkle	layer	C4	on	off	Wild Horse	BrokenSine	Psych Kit
119	H07	Contact	layer	C4	off	off	RadioStat	Lazerzz	Acid Kit
120	H08	Fallin'Luv	split	C3	on	on	Piano Back	Fundamentl	Stick Kit2
121	H09	Onesy	layer	G3	on	on	Poly Hook	TeknoAttck	HouseKit 2
122	H10	Klickaa	layer	C4	on	on	GlassyRez	Lo Boy	HipHopKit4
123	H11	Rag Machin	split	C3	on	on	TnyCmboBr2	PWM Bass	AnlgT8 Kit
124	H12	The Champ	layer	C4	on	on	Champ	2 Switches	RckSteKit1
125	H13	RoughNRug	split	C3	on	on	Tornado	BrightDnce	Jazz Kit
126	H14	Wasteland	layer	C4	on	off	Droid	Dream'nOfU	DnB Kit
127	H15	Cascade	layer	C4	on	on	Sixpack	Carpenter	Jungle Kit
128	H16	No Gravity	layer	C4	off	off	RadioVenus	Vibrancy	HipHopKit3



# Rhythm Pattern List

Category	No.	Pattern Name
0: Rock	1	StndrdRock
	2	Power Rock
	3	ContempRck
	4	Hard Rock
	5	Blues Rock
	6	Rock&Roll
	7	Alt Rock
	8	Xover Rock
	9	Pop Rock 1
	10	Pop Rock 2
	11	GuitarPop1
	12	GuitarPop2
	13	GuitrBalld
	14	Unplugged1
	15	Unplugged2
	16	Unplugged3
	17	FingrPckn
	18	WorshipSlw
	19	WorshipMed
	20	WorshipFst
	21	NewCountry
	22	VintgGtPop
	23	WestCoast
	24	BritPop Sw
	25	8BeatBalld
	26	EP Ballad1
	27	EP Ballad2
	28	Ballad 1
	29	Ballad 2
	30	Cool 8Beat
	31	8BeatBasic
	32	8Beat Slow
	33	8BeatSoft1
	34	8BeatSoft2
	35	Soft Rock
	36	Slowfeel
	37	16BtBalld1
	38	16BtBalld2
	39	16BeatBsc1
	40	16BeatBsc2
	41	16Beat Pop
	42	16BeatRock
	43	Piano Club
	44	AnalogPop1
	45	AnalogPop2
	46	ChllKitPop
	47	ChlKtBalld
	48	6/8 Pop
	49	6/8 Ballad
	50	ProgRock 1
	51	ProgRock 2
1: R&B	52	Funk 1
	53	Funk 2
	54	Funk 3
	55	Funk 4
	56	Cool Funk
	57	FunkPopRck
	58	JazzFunk 1
	59	JazzFunk 2
	60	JazzFunk 3
	61	JazzPop
	62	Slow&Easy
	63	ClubJazz 1
	64	ClubJazz 2
	65	PopShuffl1
	66	PopShuffl2
	67	GospelFunk
	68	Funk Disco
	69	Std. Disco
	70	RetroDisco

Category	No.	Pattern Name
1: R&B	71	70DiscoFnk
	72	Philly
	73	R&B Disco
	74	Chart R&B
	75	ChartPop1
	76	ChartPop2
	77	R&B
	78	New R&B 1
	79	New R&B 2
	80	New R&B 3
	81	New R&B 4
	82	New R&B 5
	83	Pop R&B
	84	H-R&B Pop1
	85	H-R&B Pop2
	86	R&B AnaPop
	87	R&BBallad1
	88	R&BBallad2
	89	6/8 R&B
	90	Smooth 1
	91	Smooth 2
	92	Flip Hop 1
	93	Flip Hop 2
	94	Flip Hop 3
	95	2BZ4U
	96	Bklyn
	97	DirtySynth
	98	HipHopEpic
	99	East Coast
	100	SouthRap 1
	101	SouthRap 2
	102	Hip Hop 1
	103	Hip Hop 2
104	Hip Hop 3	
105	Hip Hop 4	
106	Hip Hop 5	
107	Hip Hop 6	
108	Hip Break1	
109	Hip Break2	
110	Hip Rock 1	
111	Hip Rock 2	
112	Hip Reggae	
113	Regeton	
114	HipEthnic1	
115	HipEthnic2	
116	i-Hop	
117	Gangsta	
118	Jazz Hop	
119	Soul 1	
120	Soul 2	
121	Soul 3	
122	70ChrtSoul	
123	FrnklySoul	
124	Soul Band	
125	SoulShuffl1	
126	SoulShuffl2	
127	SoulSwing1	
128	SoulSwing2	
129	GospelBrot	
130	New Gospel	
131	Gospel	
2: Elect	132	Ambient
	133	Chill Out
	134	8ZChillBrk
	135	Synth Pop1
	136	Synth Pop2
	137	Undergrnd
	138	8Z Romps
	139	Big Beat 1
	140	Big Beat 2

Category	No.	Pattern Name
2: Elect	141	Big Beat 3
	142	Big Beat 4
	143	Big Beat 5
	144	Lo Beat 1
	145	Lo Beat 2
	146	Abstract
	147	DnB 1
	148	DnB 2
	149	Trance1
	150	8Z Trance
	151	Trance 2
	152	Trance 3
	153	PsychTrnce
	154	8Z Psyche1
	155	8Z Psyche2
	156	TranceKit1
	157	TranceKit2
	158	TranceKit3
159	TranceKit4	
160	TranceKit5	
161	DreamDance	
162	Ibiza	
163	Euro Teck	
164	Club House	
165	House 1	
166	House 2	
167	Garage	
168	UK Garage	
3: Jazz	169	Acstc Jazz
	170	Mdrn Jazz1
	171	Mdrn Jazz2
	172	Bebop
	173	R&RShuffle
	174	ShufflBlus1
	175	ShufflBlus2
	176	SlowBlues1
	177	SlowBlues2
	178	SlowBlues3
179	SlowBlues4	
180	SlowBlues5	
181	PianoBoogy	
4: World	182	ReggaeShfl
	183	Big Reggae
	184	Reggae 1
	185	Reggae 2
	186	Salsa 1
	187	Salsa 2
	188	Salsa 3
	189	AfroCuban
	190	Montuno1
	191	Montuno2
	192	BrazilSamba
193	Samba	
194	Bossa	
195	Merengue	
196	Flamenco	
197	Latin	
198	Latin Rock	
199	Spnsh Pop	
200	Irish Hymn	
201	TurkishPop	
202	TurkDance1	
203	TurkDance2	
204	Turkish1	
205	Turkish2	
206	Turkish3	
207	Turkish4	
5: Orch	208	Orchestra

# Arpeggio Type List

Arpeggio Types belonging to the "Ctrl" Category (page 31), information about data (Control Change or Pitch Bend) programmed into the respective Arpeggio Types is listed in the "Accent" column. For Arpeggio Types programmed with Control Change data, the Control Change numbers are listed accordingly. For Arpeggio Types programmed with Pitch Bend data, Pitch Bend Range information is listed accordingly

Category	ARP No.	ARP Name	Time Signature	Length	Original Tempo	Accent	Note/Chord
ApKb	1	70sRock1N	4/4	2	130		N
ApKb	2	70sRock2N	4/4	1	130		N
ApKb	3	70sRock3	4/4	4	130		
ApKb	4	70sRock4N	4/4	1	130		N
ApKb	5	70sRock5N	4/4	2	130		N
ApKb	6	Rock&RollC	4/4	4	172		C
ApKb	7	UnpluggedC	4/4	4	120		C
ApKb	8	EPBalladC	4/4	2	60		C
ApKb	9	Cool8BeatC	4/4	2	100		C
ApKb	10	8BeatBascN	4/4	4	120		N
ApKb	11	8BeatSlw1N	4/4	4	78		N
ApKb	12	8BeatSlw2N	4/4	4	78		N
ApKb	13	Slowfeel1	4/4	1	74		
ApKb	14	Slowfeel2	4/4	1	74		
ApKb	15	16BeatPopC	4/4	4	94		C
ApKb	16	PianoClub1	4/4	1	96		
ApKb	17	PianoClub2	4/4	1	96		
ApKb	18	PianoClub3	4/4	1	96		
ApKb	19	PianoClub4	4/4	2	96		
ApKb	20	PianoClub5	4/4	2	96		
ApKb	21	PianoClub6	4/4	2	96		
ApKb	22	PianoClub7	4/4	2	96		
ApKb	23	AnalogPop1	4/4	2	93		
ApKb	24	AnalogPop2	4/4	2	93		
ApKb	25	AnalogPop3	4/4	1	93		
ApKb	26	6/8PopC	4/4	4	100		C
ApKb	27	ProgRockC	4/4	4	120		C
ApKb	28	CoolFunk	4/4	1	96		
ApKb	29	ClubJazz1C	4/4	4	125		C
ApKb	30	ClubJazz2N	4/4	4	125		N
ApKb	31	GospelFnk1C	4/4	4	106		C
ApKb	32	GospelFnk2C	4/4	4	106		C
ApKb	33	R&BDisco	4/4	2	110		
ApKb	34	R&BBalladC	4/4	4	113		C
ApKb	35	BalladEP1	4/4	2	74		
ApKb	36	BalladEP2	4/4	2	74		
ApKb	37	BalladEP3	4/4	2	74		
ApKb	38	SwingEP	4/4	1	101		
ApKb	39	EPChords	4/4	2	101		
ApKb	40	6/8R&B1	4/4	2	61		
ApKb	41	6/8R&B2	4/4	2	61		
ApKb	42	6/8R&B3	4/4	1	61		
ApKb	43	6/8R&B4	4/4	1	61		
ApKb	44	6/8R&B5	4/4	2	61		
ApKb	45	6/8R&B6	4/4	2	61		
ApKb	46	6/8R&B7	4/4	2	61		
ApKb	47	HipHopEpic	4/4	2	85		
ApKb	48	HipHopN	4/4	2	105		N
ApKb	49	Soul1N	4/4	1	120		N
ApKb	50	Soul2N	4/4	4	120		N
ApKb	51	Soul3N	4/4	4	120		N
ApKb	52	SoulBeatC	4/4	4	124		C
ApKb	53	SoulSwng1C	4/4	4	124		C
ApKb	54	SoulSwng2C	4/4	4	124		C
ApKb	55	NewGospel1	4/4	2	90		
ApKb	56	NewGospel2	4/4	2	90		
ApKb	57	NewGospel3	4/4	1	90		
ApKb	58	NewGospel4	4/4	2	90		
ApKb	59	Clavi1	4/4	1	110		
ApKb	60	Clavi2	4/4	1	124		
ApKb	61	Clavi3	4/4	1	124		
ApKb	62	Clavi4	4/4	1	124		
ApKb	63	SuperClavi	4/4	4	101		
ApKb	64	TouchClavi	4/4	1	101		
ApKb	65	AmbientN	4/4	4	88		N
ApKb	66	ClubHouseN	4/4	2	128		N
ApKb	67	HousePf	4/4	1	130		
ApKb	68	DeepHouseN	4/4	1	130		N
ApKb	69	AcstcJazzN	4/4	4	204		N
ApKb	70	ShufflBlusC	4/4	4	115		C
ApKb	71	SlowBluesC	4/4	2	49		C
ApKb	72	PnoBoogy1C	4/4	8	160		C
ApKb	73	PnoBoogy2C	4/4	4	160		C
ApKb	74	Reggae	4/4	2	92		
ApKb	75	Salsa1C	4/4	4	177		C
ApKb	76	Salsa2N	4/4	1	123		N
ApKb	77	Salsa3N	4/4	4	123		N
ApKb	78	AfroCubanC	4/4	4	200		C
ApKb	79	BombaC	4/4	4	99		C
ApKb	80	DscoLtnC	4/4	4	100		C
ApKb	81	Baroque1C	4/4	4	88		C

Category	ARP No.	ARP Name	Time Signature	Length	Original Tempo	Accent	Note/Chord
ApKb	82	Baroque2C	4/4	4	88		C
ApKb	83	PfArp1	4/4	2	64		
ApKb	84	PfArp2	4/4	2	74		
ApKb	85	PfArp3	4/4	2	124		
ApKb	86	PfArp4	4/4	2	130		
ApKb	87	PfArp5	4/4	2	130		
ApKb	88	PfArp6	4/4	2	65		
ApKb	89	PfArp7	4/4	1	116		
ApKb	90	PfArp8	4/4	1	96		
ApKb	91	PfArp9	4/4	1	90		
ApKb	92	PfArp10	4/4	1	90		
ApKb	93	PfArp11	4/4	1	90		
ApKb	94	PfArp12	4/4	1	90		
ApKb	95	PfArp13	4/4	1	90		
ApKb	96	PfArp14	4/4	2	130		
ApKb	97	PfArp15	4/4	1	74		
Org	98	ProgRockN	4/4	4	110		N
Org	99	JazzFunk1C	4/4	4	120		C
Org	100	JazzFunk2	4/4	4	120		
Org	101	FunkOrgan1 *	4/4	2	110		
Org	102	FunkOrgan2 *	4/4	2	110		
Org	103	HipHop1N	4/4	2	105		N
Org	104	HipHop2N	4/4	2	105		N
Org	105	SoulN	4/4	1	120		N
Org	106	HouseOrg1	4/4	1	130		
Org	107	HouseOrg2	4/4	1	130		
Org	108	HouseOrg3	4/4	1	130		
Org	109	HouseOrg4	4/4	1	130		
Org	110	SlwBlues1N	4/4	4	72		N
Org	111	SlwBlues2N	4/4	4	72		N
Org	112	Reggae1	4/4	4	102		
Org	113	Reggae2	4/4	4	90		
Org	114	Reggae3	4/4	1	102		
Org	115	Reggae4	4/4	1	92		
Org	116	Reggae5	4/4	2	92		
Org	117	Reggae6 *	4/4	2	120		
Org	118	LatinRock	4/4	2	120		
Org	119	LatinOrgan *	4/4	1	110		
Guit	120	OverdrvGtN	4/4	4	120		N
Guit	121	GtrOver1	1/4	4	180		
Guit	122	GtrOver2N	1/4	4	120		N
Guit	123	70sRock1	4/4	2	130		
Guit	124	70sRock2	4/4	2	130		
Guit	125	70sRock3N	4/4	2	130		N
Guit	126	70sRock4N	4/4	2	130		N
Guit	127	70sRock5N	4/4	2	130		N
Guit	128	OverTheTop	4/4	2	120		
Guit	129	AllRockN	4/4	4	100		N
Guit	130	XoverRck1N	4/4	2	100		N
Guit	131	XoverRck2N	4/4	2	100		N
Guit	132	XoverRck3N	4/4	1	100		N
Guit	133	XoverRck4N	4/4	2	100		N
Guit	134	XoverRck5N	4/4	2	100		N
Guit	135	GtrPop1C	4/4	4	100		C
Guit	136	GuitarPop2	4/4	1	90		
Guit	137	GuitarPop3	4/4	1	90		
Guit	138	GuitarPop4	4/4	1	90		
Guit	139	Unplugged	4/4	4	120		
Guit	140	FngrPikn1N	4/4	2	94		N
Guit	141	FngrPikn2N	4/4	2	94		N
Guit	142	FngrPikn3N	4/4	2	94		N
Guit	143	FngrPikn4N	4/4	3	94		N
Guit	144	FngrPikn5N	4/4	1	94		N
Guit	145	Pickin1	4/4	3	120		
Guit	146	Pickin2	4/4	2	120		
Guit	147	12Guitar	4/4	1	97		
Guit	148	WorshpFstC	4/4	8	114		C
Guit	149	NewCntryC	4/4	4	118		C
Guit	150	BrPopSwngC	4/4	2	110		C
Guit	151	Slowfeel1	4/4	1	74		
Guit	152	Slowfeel2	4/4	1	74		
Guit	153	Slowfeel3	4/4	1	74		
Guit	154	AnalogPop	4/4	1	93		
Guit	155	6/8BalladC	6/8	4	87		C
Guit	156	ProgRockN	4/4	4	110		N
Guit	157	RockGtr1	4/4	1	120		
Guit	158	RockGtr2	4/4	1	120		
Guit	159	Funky1	4/4	2	132		
Guit	160	Funky2	4/4	2	120		
Guit	161	Funky3	4/4	1	120		
Guit	162	Smooth1	4/4	2	115		

Arpeggio Type List

Category	ARP No.	ARP Name	Time Signature	Length	Original Tempo	Accent	Note/Chord
Guit	163	Smooth2	4 / 4	2	115		
Guit	164	FlipHopN	4 / 4	1	132		N
Guit	165	HipHop1	4 / 4	2	104		
Guit	166	HipHop2N	4 / 4	2	104		N
Guit	167	HipHop3C	4 / 4	4	96		C
Guit	168	HipRockC	4 / 4	4	90		C
Guit	169	CiscHipHp	4 / 4	2	90		
Guit	170	NewGospelN	4 / 4	2	90		N
Guit	171	CleanGtr1	4 / 4	2	120		
Guit	172	CleanGtr2	4 / 4	2	120		
Guit	173	News	4 / 4	2	120		
Guit	174	ChillOut	4 / 4	1	79		
Guit	175	BigBeat1N	4 / 4	4	115		N
Guit	176	BigBeat2N	4 / 4	1	145		N
Guit	177	ModrnJazzC	4 / 4	16	218		C
Guit	178	R&RshuffC	4 / 4	4	192		C
Guit	179	SlowBluesN	4 / 4	1	72		N
Guit	180	Reggae	4 / 4	1	102		
Guit	181	MontunoN	4 / 4	2	100		N
Guit	182	GuaguancoC	4 / 4	4	120		C
Guit	183	LtnPhrase1	4 / 4	2	120		
Guit	184	LtnPhrase2	4 / 4	1	120		
Guit	185	SpnshPop1	4 / 4	2	120		
Guit	186	SpnshPop2	4 / 4	1	120		
Guit	187	Turkish1N	4 / 4	2	105		N
Guit	188	Turkish2N	4 / 4	2	105		N
Guit	189	Strum1	4 / 4	1	120		
Guit	190	Strum2	4 / 4	2	120		
Guit	191	Strum3	4 / 4	2	120		
Guit	192	GuitarArp1	4 / 4	1	120		
Guit	193	GuitarArp2	4 / 4	1	120		
Guit	194	GuitarArp3	4 / 4	1	120		
Guit	195	RolliArp	4 / 4	4	60		
Guit	196	Lick1	4 / 4	4	120		
Guit	197	Lick2	4 / 4	4	120		
Guit	198	Lick3	4 / 4	2	120		
Bass	199	AltRockN	4 / 4	4	97		N
Bass	200	XoverRockN	4 / 4	1	100		N
Bass	201	UnpluggedN	4 / 4	4	113		N
Bass	202	70sRock1N	4 / 4	4	130		N
Bass	203	70sRock2N	4 / 4	1	130		N
Bass	204	8BeatBascN	4 / 4	4	120		N
Bass	205	8BeatRockN	4 / 4	4	75		N
Bass	206	8BeatSlowN	4 / 4	4	78		N
Bass	207	SoftRockN	4 / 4	1	120		N
Bass	208	16BitBalldN	4 / 4	4	75		N
Bass	209	PnoClub1N	4 / 4	1	96		N
Bass	210	PnoClub2N	4 / 4	2	96		N
Bass	211	PnoClub3N	4 / 4	4	96		N
Bass	212	AnalgPop1N	4 / 4	2	93		N
Bass	213	AnalgPop2N	4 / 4	4	93		N
Bass	214	6/8PopN	4 / 4	4	100		N
Bass	215	6/8BalladN	6 / 8	4	87		N
Bass	216	PickBassN	4 / 4	4	120		N
Bass	217	FunkN	4 / 4	2	132		N
Bass	218	CoolFunk1N	4 / 4	2	96		N
Bass	219	CoolFunk2N	4 / 4	2	96		N
Bass	220	CoolFunk3N	4 / 4	4	96		N
Bass	221	CoolFunk4N	4 / 4	2	96		N
Bass	222	CoolFunk5N	4 / 4	1	96		N
Bass	223	JazzFunk1N	4 / 4	2	120		N
Bass	224	JazzFunk2N	4 / 4	4	120		N
Bass	225	JazzFunk3N	4 / 4	4	123		N
Bass	226	ClubJazz1N	4 / 4	4	125		N
Bass	227	ClubJazz2N	4 / 4	4	92		N
Bass	228	PopShuffIN	4 / 4	4	94		N
Bass	229	R&BDiscoN	4 / 4	2	110		N
Bass	230	ChartPopC	4 / 4	4	92		C
Bass	231	NewR&B1C	4 / 4	2	98		C
Bass	232	NewR&B2	4 / 4	1	97		
Bass	233	NewR&B3	4 / 4	2	97		
Bass	234	NewR&B4N	4 / 4	2	90		N
Bass	235	PopR&BC	4 / 4	4	67		C
Bass	236	R&BAnaPopC	4 / 4	4	95		C
Bass	237	FlipHop1N	4 / 4	2	132		N
Bass	238	FlipHop2N	4 / 4	2	132		N
Bass	239	2BZ4UN	4 / 4	4	75		N
Bass	240	PepRally	4 / 4	2	75		
Bass	241	SouthRapN	4 / 4	2	90		N
Bass	242	HipHopN	4 / 4	2	105		N
Bass	243	HipRockC	4 / 4	4	90		C
Bass	244	RegetonC	4 / 4	4	98		C
Bass	245	CiscHipHipN	4 / 4	2	90		N
Bass	246	Soul1N	4 / 4	4	120		N

Category	ARP No.	ARP Name	Time Signature	Length	Original Tempo	Accent	Note/Chord
Bass	247	Soul2N	4 / 4	4	120		N
Bass	248	Soul3N	4 / 4	4	120		N
Bass	249	SoulBeatC	4 / 4	4	124		C
Bass	250	NewGospelN	4 / 4	2	90		N
Bass	251	FngrBass1N	4 / 4	1	115		N
Bass	252	FngrBass2N	4 / 4	1	115		N
Bass	253	FngrBass3N	4 / 4	3	115		N
Bass	254	FngrBass4N	4 / 4	1	115		N
Bass	255	FngrBass5N	4 / 4	2	150		N
Bass	256	FngrBass6N	4 / 4	2	89		N
Bass	257	FngrBass7N	4 / 4	2	89		N
Bass	258	FngrBass8N	4 / 4	1	115		N
Bass	259	FngrBass9N	4 / 4	1	115		N
Bass	260	FngrBs10N	4 / 4	4	107		N
Bass	261	SlapBass1	4 / 4	4	120		
Bass	262	SlapBass2N	4 / 4	1	105		N
Bass	263	SlapBass3N	4 / 4	2	110		N
Bass	264	SlapBass4N	4 / 4	3	120		N
Bass	265	SlapBass5N	4 / 4	1	120		N
Bass	266	GruvBass	4 / 4	2	120		
Bass	267	ChillOut1N	4 / 4	2	79		N
Bass	268	ChillOut2N	4 / 4	4	79		N
Bass	269	ClubtekBas	4 / 4	1	70		
Bass	270	SynthPopN	4 / 4	2	90		N
Bass	271	BrkBeats1N	4 / 4	4	115		N
Bass	272	BrkBeats2N	4 / 4	4	88		N
Bass	273	TechnoN	4 / 4	4	137		N
Bass	274	TranceN	4 / 4	1	140		N
Bass	275	TrncBass1N	4 / 4	2	143		N
Bass	276	TrncBass2	4 / 4	1	143		
Bass	277	TekBass	4 / 4	1	138		
Bass	278	DrnDanceN	4 / 4	2	136		N
Bass	279	lbizaN	4 / 4	2	135		N
Bass	280	RetroPopN	4 / 4	2	126		N
Bass	281	DscoHouseC	4 / 4	4	126		C
Bass	282	ClubHouseN	4 / 4	1	128		N
Bass	283	Garage1N	4 / 4	2	127		N
Bass	284	Garage2N	4 / 4	2	127		N
Bass	285	Cyborg	4 / 4	1	90		
Bass	286	Kronic	4 / 4	1	100		
Bass	287	Wazzo	4 / 4	1	94		
Bass	288	SyBass1N	4 / 4	1	120		N
Bass	289	SyBass2N	4 / 4	1	120		N
Bass	290	SyBass3N	4 / 4	1	120		N
Bass	291	AcstcJaz1N	4 / 4	4	204		N
Bass	292	AcstcJaz2N	4 / 4	4	204		N
Bass	293	AcstcJaz3N	4 / 4	4	204		N
Bass	294	AcstcJaz4N	4 / 4	4	204		N
Bass	295	AcstcJaz5N	4 / 4	4	204		N
Bass	296	AcstcBasN	4 / 4	4	132		N
Bass	297	SlowBluesN	4 / 4	4	72		N
Bass	298	JmboReggC	4 / 4	4	100		C
Bass	299	Reggae1	4 / 4	4	102		
Bass	300	Reggae2N	4 / 4	2	92		N
Bass	301	Montuno1N	4 / 4	4	100		N
Bass	302	Montuno2N	4 / 4	1	100		N
Bass	303	FretlssBsN	4 / 4	4	124		N
Bass	304	LtnHouseN	4 / 4	4	138		N
Bass	305	SpnshPop1N	4 / 4	1	120		N
Bass	306	SpnshPop2N	4 / 4	1	120		N
Bass	307	SpnshPop3N	4 / 4	1	120		N
Bass	308	TurkPopN	4 / 4	4	101		N
Bass	309	TurkDanceN	4 / 4	4	130		N
Bass	310	Turkish1N	4 / 4	2	105		N
Bass	311	Turkish2N	4 / 4	2	105		N
Str	312	NewR&B1N	4 / 4	2	90		N
Str	313	NewR&B2N	4 / 4	2	90		N
Str	314	NewR&B3N	4 / 4	2	90		N
Str	315	NewR&B4N	4 / 4	2	90		N
Str	316	NewR&B5N	4 / 4	2	90		N
Str	317	DirtySy1N	4 / 4	4	85		N
Str	318	DirtySy2	4 / 4	4	85		
Str	319	HipHpEpic1	4 / 4	2	85		
Str	320	HipHpEpic2	4 / 4	2	85		
Str	321	HipHop1N	4 / 4	2	105		N
Str	322	HipHop2N	4 / 4	1	105		N
Str	323	PsyPizzN	4 / 4	1	143		N
Str	324	IrishHymnC	3 / 4	4	70		C
Str	325	Turkish1N	4 / 4	2	105		N
Str	326	Turkish2N	4 / 4	2	86		N
Str	327	Orchestra1C	4 / 4	8	102		C
Str	328	Orchestra2C	4 / 4	4	102		C
Str	329	Orchestra3C	4 / 4	8	102		C
Str	330	Baroque1C	4 / 4	4	88		C

## Arpeggio Type List

Category	ARP No.	ARP Name	Time Signature	Length	Original Tempo	Accent	Note/Chord
Str	331	Baroque2C	4/4	4	88		C
Str	332	Strings1	4/4	1	101		
Str	333	Strings2	4/4	1	101		
Str	334	Strings3	4/4	1	101		
Str	335	Strings4	4/4	1	101		
Str	336	Strings5	4/4	1	101		
Str	337	Strings6	4/4	1	101		
Str	338	Strings7	4/4	1	101		
Str	339	Strings8	4/4	1	101		
Str	340	Strings9 *	4/4	2	120		
Str	341	Jupiter	4/4	4	120		
Str	342	StrngsUp1N *	4/4	1	120		N
Str	343	StrnsDwn1N *	4/4	1	120		N
Str	344	StrngsUp2N	4/4	1	120		N
Str	345	StrnsDwn2N	4/4	1	120		N
Str	346	Cello1 *	4/4	2	120		
Str	347	Cello2 *	4/4	2	120		
Str	348	OrcStrings	4/4	4	126		
Str	349	OrchChord	4/4	4	126		
Str	350	Pizz	4/4	1	120		
Str	351	Harp1	4/4	2	120		
Str	352	Harp2	4/4	2	120		
Str	353	Harp3	4/4	1	120		
Brs	354	Funk1	4/4	2	132		
Brs	355	Funk2	4/4	4	132		
Brs	356	Funk3	4/4	2	132		
Brs	357	Funk4	4/4	1	132		
Brs	358	JazzFunk1	4/4	4	120		
Brs	359	JazzFunk2	4/4	1	120		
Brs	360	Soul	4/4	1	120		
Brs	361	NewGospel	4/4	2	90		
Brs	362	Salsa1	4/4	2	123		
Brs	363	Salsa2	4/4	4	120		
Brs	364	Salsa3N	4/4	2	123		N
Brs	365	Salsa4N	4/4	2	123		N
Brs	366	Salsa5N	4/4	2	123		N
Brs	367	Salsa6N	4/4	1	123		N
Brs	368	Samba1	4/4	4	120		
Brs	369	Samba2	4/4	2	120		
Brs	370	Turkish	9/8	2	125		
Brs	371	BrassSec1	4/4	1	120		
Brs	372	BrassSec2	4/4	1	120		
Brs	373	BrassSec3	4/4	1	120		
Brs	374	BrassSec4	4/4	1	120		
Brs	375	BrassSec5	4/4	1	120		
RdPp	376	HipHop1N	4/4	2	105		N
RdPp	377	HipHop2N	4/4	2	105		N
RdPp	378	Soul1N	4/4	4	120		N
RdPp	379	Soul2N	4/4	1	120		N
RdPp	380	Soul3N	4/4	1	120		N
RdPp	381	Samba1N	4/4	2	120		N
RdPp	382	Samba2N	4/4	4	120		N
RdPp	383	Samba3N	4/4	2	120		N
RdPp	384	Turkish1N	4/4	2	105		N
RdPp	385	Turkish2N	4/4	2	105		N
RdPp	386	Turkish3N	4/4	2	105		N
RdPp	387	Turkish4N	9/8	2	125		N
RdPp	388	Turkish5N	9/8	2	125		N
RdPp	389	Baroque1C	4/4	4	88		C
RdPp	390	Baroque2C	4/4	1	88		C
RdPp	391	Baroque3C	4/4	1	88		C
RdPp	392	Baroque4C	4/4	1	88		C
RdPp	393	Flute	4/4	1	120		
RdPp	394	Flutter	4/4	1	120		
Lead	395	R&BDisco1N	4/4	2	110		N
Lead	396	R&BDisco2N	4/4	1	110		N
Lead	397	R&BDisco3N	4/4	2	110		N
Lead	398	R&BDisco4N	4/4	1	110		N
Lead	399	DirtySy1	4/4	2	85		
Lead	400	DirtySy2	4/4	2	85		
Lead	401	DirtySy3	4/4	2	85		
Lead	402	HipHpEpicN	4/4	2	85		N
Lead	403	RapLead	4/4	2	100		
Lead	404	Trance1C	4/4	8	142		C
Lead	405	Trance2C	4/4	2	142		C
Lead	406	Trance3N	4/4	8	142		N
Lead	407	Trance4N	4/4	2	140		N
Lead	408	Trance5C	4/4	4	130		C
Lead	409	TranceN	4/4	2	130		N
Lead	410	PsyLead1N	4/4	1	143		N
Lead	411	PsyLead2N	4/4	2	143		N
Lead	412	Needlz	4/4	2	132		
Lead	413	CurlyQ	4/4	1	145		
PdMe	414	16BitBascC	4/4	4	77		C

Category	ARP No.	ARP Name	Time Signature	Length	Original Tempo	Accent	Note/Chord
PdMe	415	16BitPop1C	4/4	1	103		C
PdMe	416	16BitPop2C	4/4	4	94		C
PdMe	417	AnalogPop1	4/4	1	93		
PdMe	418	AnalogPop2	4/4	1	93		
PdMe	419	PopShufflN	4/4	4	80		N
PdMe	420	Smooth1	4/4	2	115		
PdMe	421	Smooth2	4/4	2	115		
PdMe	422	Cycle1	4/4	3	120		
PdMe	423	Cycle2	4/4	6	120		
PdMe	424	Cycle3N	4/4	14	118		N
PdMe	425	RipplesN	4/4	4	82		N
CrPc	426	R&BDisco1N	4/4	1	110		N
CrPc	427	R&BDisco2N	4/4	2	110		N
CrPc	428	Rance	4/4	4	140		
CrPc	429	Ethnic	7/4	3	120		
CrPc	430	MOD1	4/4	1	120		
CrPc	431	MOD2	4/4	2	120		
CrPc	432	Trill1	4/4	1	120		
CrPc	433	Trill2	4/4	2	120		
CrPc	434	MalltRoll1	4/4	2	120		
CrPc	435	MalltRoll2	4/4	2	120		
CrPc	436	SteelDrum1	4/4	1	160		
CrPc	437	SteelDrum2	4/4	2	95		
DrPc	438	70sRock	4/4	4	130	O	
DrPc	439	MondoRock	4/4	2	94	O	
DrPc	440	XoverRock	4/4	2	100	O	
DrPc	441	PopRock1	4/4	2	120	O	
DrPc	442	PopRock2	4/4	2	126	O	
DrPc	443	AnalogPop	4/4	2	93	O	
DrPc	444	ChillKitPop	4/4	2	85	O	
DrPc	445	Funk	4/4	2	132	O	
DrPc	446	CoolFunk	4/4	2	96	O	
DrPc	447	JazzFunk1	4/4	4	120	O	
DrPc	448	JazzFunk2	4/4	4	120	O	
DrPc	449	NewR&B	4/4	1	97	O	
DrPc	450	FlipHop	4/4	4	125	O	
DrPc	451	HipHop1	4/4	2	104	O	
DrPc	452	HipHop2	4/4	2	94	O	
DrPc	453	HipHop3	4/4	2	96	O	
DrPc	454	ClschHipHp	4/4	2	90	O	
DrPc	455	i-Hop	4/4	4	98	O	
DrPc	456	JazzHop	4/4	2	106	O	
DrPc	457	HipHpLoop1	4/4	4	95	O	
DrPc	458	HipHpLoop2	4/4	2	75	O	
DrPc	459	ChillOut	4/4	2	79	O	
DrPc	460	ChillKit	4/4	4	85	O	
DrPc	461	8ZChillBrk	4/4	4	85	O	
DrPc	462	8ZGatedBt	4/4	4	85	O	
DrPc	463	8ZHeavyHrt	4/4	4	85	O	
DrPc	464	8ZDestruct	4/4	4	115	O	
DrPc	465	8ZJarrin	4/4	2	105	O	
DrPc	466	8ZRumps	4/4	4	125	O	
DrPc	467	DubElement	4/4	2	120	O	
DrPc	468	Electronic	4/4	1	118	O	
DrPc	469	SpSFX	4/4	4	100	O	
DrPc	470	BigBeat1	4/4	2	120	O	
DrPc	471	BigBeat2	4/4	1	120	O	
DrPc	472	BigBeat3	4/4	1	138	O	
DrPc	473	BigBeat4	4/4	1	132	O	
DrPc	474	BigBeat5	4/4	2	124	O	
DrPc	475	Abstract	4/4	2	86	O	
DrPc	476	DnB1	4/4	1	170	O	
DrPc	477	DnB2	4/4	2	165	O	
DrPc	478	DnB3	4/4	2	154	O	
DrPc	479	PsycheTrnc	4/4	4	143	O	
DrPc	480	8ZPsyche1	4/4	2	140	O	
DrPc	481	8ZPsyche2	4/4	1	135	O	
DrPc	482	TranceKit1	4/4	4	136	O	
DrPc	483	TranceKit2	4/4	2	136	O	
DrPc	484	TranceKit3	4/4	2	136	O	
DrPc	485	8ZTrancBsc	4/4	1	136	O	
DrPc	486	8ZErlyLoFi	4/4	1	136	O	
DrPc	487	8ZNoizeXpr	4/4	4	136	O	
DrPc	488	8ZReversBt	4/4	1	136	O	
DrPc	489	8ZCrushDnc	4/4	2	136	O	
DrPc	490	Ibiza	4/4	2	135	O	
DrPc	491	House1	4/4	2	130	O	
DrPc	492	House2	4/4	4	120	O	
DrPc	493	House3	4/4	2	120	O	
DrPc	494	Garage	4/4	2	130	O	
DrPc	495	UKGarage	4/4	4	130	O	
DrPc	496	Bebop	4/4	4	152	O	
DrPc	497	ReggShufi1	4/4	4	90	O	
DrPc	498	ReggShufi2	4/4	4	90	O	

## Arpeggio Type List

Category	ARP No.	ARP Name	Time Signature	Length	Original Tempo	Accent	Note/Chord
DrPc	499	Reggae1	4 / 4	2	92	○	
DrPc	500	Reggae2	4 / 4	1	92	○	
DrPc	501	Salsa	4 / 4	4	123	○	
DrPc	502	Montuno	4 / 4	4	100	○	
DrPc	503	BrazilSmba	4 / 4	4	96	○	
DrPc	504	Samba	4 / 4	4	120	○	
DrPc	505	Latin	4 / 4	4	120	○	
DrPc	506	Turkish1	4 / 4	2	105	○	
DrPc	507	Turkish2	4 / 4	2	105	○	
DrPc	508	Turkish3	4 / 4	2	105	○	
DrPc	509	Orchestra	4 / 4	4	102	○	
DrPc	510	1BarSlice	4 / 4	1	135	○	
DrPc	511	Linear	4 / 4	1	120	○	
Seq	512	AltRockN	4 / 4	4	100		N
Seq	513	R&BDiscoN	4 / 4	2	110		N
Seq	514	ChartR&BC	4 / 4	1	130		C
Seq	515	NewR&B1N	4 / 4	2	90		N
Seq	516	NewR&B2N	4 / 4	2	90		N
Seq	517	2BZ4U1	4 / 4	2	75		
Seq	518	2BZ4U2	4 / 4	2	75		
Seq	519	2BZ4U3	4 / 4	2	75		
Seq	520	2BZ4U4	4 / 4	2	75		
Seq	521	PepRally1	4 / 4	4	75		
Seq	522	PepRally2	4 / 4	4	75		
Seq	523	Ambient1N	4 / 4	4	102		N
Seq	524	Ambient2N	4 / 4	4	111		N
Seq	525	ChillOut1	4 / 4	4	79		
Seq	526	ChillOut2	4 / 4	2	79		
Seq	527	SynthPop1	4 / 4	1	90		
Seq	528	SynthPop2	4 / 4	1	90		
Seq	529	SynthPop3	4 / 4	1	90		
Seq	530	BigStep1N	4 / 4	2	116		N
Seq	531	BigStep2N	4 / 4	1	116		N
Seq	532	BigStep3N	4 / 4	2	116		N
Seq	533	BigStep4N	4 / 4	1	116		N
Seq	534	BrkBeats1N	4 / 4	4	115		N
Seq	535	BrkBeats2N	4 / 4	4	88		N
Seq	536	BrkBeats3N	4 / 4	1	88		N
Seq	537	Trance1N	4 / 4	8	135		N
Seq	538	Trance2N	4 / 4	2	140		N
Seq	539	Trance3N	4 / 4	3	140		N
Seq	540	Trance4	4 / 4	1	140		
Seq	541	Trance5	4 / 4	4	140		
Seq	542	Trance6	4 / 4	1	140		
Seq	543	Trance7	4 / 4	4	140		
Seq	544	PsycheSeqN	4 / 4	4	140		N
Seq	545	TrncPhras1	4 / 4	1	130		
Seq	546	TrncPhras2	4 / 4	1	130		
Seq	547	TrncPhras3	4 / 4	1	130		
Seq	548	TrncPhras4	4 / 4	1	130		
Seq	549	TrncPhras5	4 / 4	1	130		
Seq	550	TrncPhras6	4 / 4	1	130		
Seq	551	TrncPhras7	4 / 4	2	145		
Seq	552	TrncPhras8	4 / 4	1	145		
Seq	553	TrncPhras1	4 / 4	2	145		
Seq	554	TrncPhras2	4 / 4	1	145		
Seq	555	TrncPhras3	4 / 4	1	145		
Seq	556	PsyPhras1N	4 / 4	1	143		N
Seq	557	PsyPhras2N	4 / 4	1	143		N
Seq	558	PsyPhras3N	4 / 4	2	143		N
Seq	559	PsyPhras4N	4 / 4	2	143		N
Seq	560	HypTrnc1N	4 / 4	1	143		N
Seq	561	HypTrnc2N	4 / 4	2	143		N
Seq	562	HypTrnc3N	4 / 4	1	143		N
Seq	563	T-LineSeqN	4 / 4	1	140		N
Seq	564	DrnmDance1	4 / 4	1	136		
Seq	565	DrnmDance2	4 / 4	1	136		
Seq	566	Ibiza1	4 / 4	2	135		
Seq	567	Ibiza2	4 / 4	8	135		
Seq	568	Ibiza3N	4 / 4	2	135		N
Seq	569	Ibiza4N	4 / 4	2	135		N
Seq	570	Ibiza5N	4 / 4	2	135		N
Seq	571	Ibiza6N	4 / 4	2	135		N
Seq	572	RetroPop1	4 / 4	1	126		
Seq	573	RetroPop2	4 / 4	2	126		
Seq	574	TekPhrs1C	4 / 4	1	130		C
Seq	575	TekPhrs2C	4 / 4	1	130		C
Seq	576	TekPhrs3C	4 / 4	1	110		C
Seq	577	TekPhras1	4 / 4	2	120		
Seq	578	TekPhras2	4 / 4	2	120		
Seq	579	TeknoAttK	4 / 4	2	143		N
Seq	580	AcidA1	4 / 4	2	127		
Seq	581	AcidA2	4 / 4	2	127		
Seq	582	AcidA3	4 / 4	2	127		

Category	ARP No.	ARP Name	Time Signature	Length	Original Tempo	Accent	Note/Chord
Seq	583	AcidB1	4 / 4	2	127		
Seq	584	AcidB2	4 / 4	2	127		
Seq	585	AcidC1	4 / 4	2	127		
Seq	586	AcidC2	4 / 4	2	127		
Seq	587	SynArp1	4 / 4	1	130		
Seq	588	SynArp2	4 / 4	2	130		
Seq	589	SynArp3	4 / 4	1	130		
Seq	590	SynArp4	4 / 4	1	130		
Seq	591	SynArp5	4 / 4	1	130		
Seq	592	SynArp6	4 / 4	1	124		
Seq	593	SynArp7	4 / 4	1	120		
Seq	594	SynArp8	4 / 4	1	130		
Seq	595	SynArp9	4 / 4	1	130		
Seq	596	SynArp10	4 / 4	2	130		
Seq	597	SynArp11	4 / 4	1	90		
Seq	598	SynArp12	4 / 4	2	124		
Seq	599	SynArp13	4 / 4	1	130		
Seq	600	SynArp14	4 / 4	1	130		
Seq	601	SynArp15	4 / 4	1	130		
Seq	602	SynArp16	4 / 4	1	90		
Seq	603	SynArp17	4 / 4	1	130		
Seq	604	SynArp18	4 / 4	1	120		
Seq	605	SynArp19	4 / 4	1	120		
Seq	606	SynArp20	4 / 4	1	124		
Seq	607	SynArp21	4 / 4	1	120		
Seq	608	SynArp22	4 / 4	1	120		
Seq	609	SynArp23	4 / 4	1	120		
Seq	610	SynArp24	4 / 4	1	120		
Seq	611	SynArp25	4 / 4	5	120		
Seq	612	Melody1	4 / 4	1	70		
Seq	613	Melody2	4 / 4	1	120		
Seq	614	Melody3	4 / 4	1	70		
Seq	615	Melody4	4 / 4	1	70		
Seq	616	Melody5	4 / 4	1	70		
Seq	617	Melody6	4 / 4	1	70		
Seq	618	Melody7	4 / 4	1	70		
Seq	619	Melody8	4 / 4	1	70		
Seq	620	Melody9	4 / 4	1	70		
Seq	621	Melody10	4 / 4	1	70		
Seq	622	Melody11	4 / 4	1	70		
Seq	623	Melody12	4 / 4	1	70		
Seq	624	Melody13	4 / 4	1	70		
Seq	625	Melody14	4 / 4	1	70		
Seq	626	Melody15	4 / 4	1	70		
Seq	627	Melody16	4 / 4	1	70		
Seq	628	Melody17	4 / 4	1	70		
Seq	629	SyPhras1C	4 / 4	1	70		C
Seq	630	SyPhras2C	4 / 4	1	70		C
Seq	631	SyPhras3C	4 / 4	1	70		C
Seq	632	SyPhras4C	4 / 4	1	70		C
Seq	633	SyPhras5C	4 / 4	1	70		C
Seq	634	SyPhras6C	4 / 4	1	70		C
Seq	635	SyPhras7C	4 / 4	1	70		C
Seq	636	SyPhras1C	4 / 4	1	70		C
Seq	637	SyPhras2C	4 / 4	1	70		C
Seq	638	SyPhras3C	4 / 4	1	70		C
Seq	639	SyPhras4C	4 / 4	1	130		C
Seq	640	SyPhras5C	4 / 4	1	130		C
Seq	641	SyPhras6C	4 / 4	1	130		C
Seq	642	SyPhras7C	4 / 4	1	130		C
Seq	643	SyPhras8C	4 / 4	1	130		C
Seq	644	SyPhras9C	4 / 4	1	130		C
Seq	645	SyPhras10C	4 / 4	1	130		C
Seq	646	SyPhras11C	4 / 4	1	130		C
Seq	647	SyPhras12C	4 / 4	1	130		C
Seq	648	SyPhras13C	4 / 4	1	130		C
Seq	649	SyPhras14C	4 / 4	1	130		C
Seq	650	SyPhras15C	4 / 4	1	130		C
Seq	651	SyPhras16C	4 / 4	1	130		C
Seq	652	SyPhras17C	4 / 4	1	130		C
Seq	653	SyPhras18C	4 / 4	1	130		C
Seq	654	SyPhras19C	4 / 4	1	140		C
Seq	655	SyPhras20C	4 / 4	1	130		C
Seq	656	SyPhras21C	4 / 4	1	130		C
Seq	657	SyPhras22C	4 / 4	1	130		C
Seq	658	SyPhras23C	4 / 4	1	130		C
Seq	659	SyPhras24C	4 / 4	1	140		C
Seq	660	SyPhras25C	4 / 4	1	136		C
Seq	661	SyPhras26C	4 / 4	1	136		C
Seq	662	SyPhras27C	4 / 4	1	130		C
Seq	663	SyPhras28C	4 / 4	1	130		C
Seq	664	SyPhras29C	4 / 4	1	138		C
Seq	665	Electro1	4 / 4	1	130		
Seq	666	Electro2	4 / 4	1	130		

Category	ARP No.	ARP Name	Time Signature	Length	Original Tempo	Accent	Note/Chord
Seq	667	Electro3	4 / 4	1	130		
Seq	668	Electro4	4 / 4	1	130		
Seq	669	Electro5	4 / 4	1	130		
Seq	670	Electro6	4 / 4	1	130		
Seq	671	Electro7	4 / 4	1	130		
Seq	672	Electro8	4 / 4	1	130		
Seq	673	Electro9	4 / 4	1	130		
Seq	674	Electro10	4 / 4	1	130		
Seq	675	Electro11	4 / 4	1	130		
Seq	676	CompuBass1	4 / 4	1	130		
Seq	677	CompuBass2	4 / 4	1	130		
Seq	678	DigiSeqN	4 / 4	2	106		N
Seq	679	DigySeq1N	4 / 4	4	135		N
Seq	680	DigySeq2N	4 / 4	2	135		N
Seq	681	DigySeq3N	4 / 4	2	135		N
Seq	682	SeqS&H1	4 / 4	4	120		
Seq	683	SeqS&H2	4 / 4	4	120		
Seq	684	PolyArp1	4 / 4	1	120		
Seq	685	PolyArp2	4 / 4	1	120		
Seq	686	Bees1	4 / 4	1	118		
Seq	687	Bees2	4 / 4	1	118		
Seq	688	Syncopa	4 / 4	2	120		
Seq	689	SuperArp	4 / 4	2	120		
Seq	690	SpaceArp	4 / 4	2	120		
Seq	691	StepLine	4 / 4	1	120		
Seq	692	AnaSeq	4 / 4	1	120		
Seq	693	Ascorbic	4 / 4	1	150		
Seq	694	Beeperz	4 / 4	2	104		
Seq	695	Doves	4 / 4	1	150		
Seq	696	Hardcore	4 / 4	3	150		
Seq	697	Harmo	4 / 4	1	150		
Seq	698	Lamb	4 / 4	1	125		
Seq	699	Ocean	4 / 4	1	120		
Seq	700	Orbit	4 / 4	1	140		
Seq	701	Pitzy	4 / 4	1	105		
Seq	702	PolyDance	4 / 4	1	120		
Seq	703	Popcorn	4 / 4	1	120		
Seq	704	PulsLine	4 / 4	2	120		
Seq	705	Simple1	4 / 4	2	150		
Seq	706	SplitArp	4 / 4	1	120		
Seq	707	SycopaEcho	4 / 4	2	120		
Seq	708	TekBubble	4 / 4	1	128		
Seq	709	Waggle	4 / 4	1	140		
Seq	710	LatinHouse	4 / 4	2	138		
Seq	711	UpOct1	4 / 4	1	120		
Seq	712	UpOct2	4 / 4	1	120		
Seq	713	UpOct3	4 / 4	1	120		
Seq	714	UpOct4	4 / 4	1	120		
Seq	715	DownOct1	4 / 4	1	120		
Seq	716	DownOct2	4 / 4	1	120		
Seq	717	DownOct3	4 / 4	1	120		
Seq	718	DownOct4	4 / 4	1	120		
Seq	719	U/DAOct1	4 / 4	1	120		
Seq	720	U/DAOct2	4 / 4	1	120		
Seq	721	U/DAOct3	4 / 4	1	120		
Seq	722	U/DAOct4	4 / 4	1	120		
Seq	723	U/DBOct1	4 / 4	1	120		
Seq	724	U/DBOct2	4 / 4	1	120		
Seq	725	U/DBOct3	4 / 4	1	120		
Seq	726	U/DBOct4	4 / 4	1	120		
Seq	727	RandomOct1	4 / 4	1	120		
Seq	728	RandomOct2	4 / 4	1	120		
Seq	729	RandomOct3	4 / 4	1	120		
Seq	730	RandomOct4	4 / 4	1	120		
Seq	731	Oct2Up	4 / 4	1	120		
Seq	732	Oct4Up	4 / 4	1	120		
Seq	733	UnisonUp	4 / 4	1	120		
Seq	734	Up&Alt	4 / 4	1	120		
Seq	735	Up&Down1	4 / 4	1	120		
Seq	736	Up&Down2	4 / 4	1	120		
Seq	737	Up&Down3	4 / 4	1	120		
Seq	738	Up&Down4	4 / 4	1	120		
Seq	739	Up&Random1	4 / 4	1	120		
Seq	740	Up&Random2	4 / 4	1	120		
Seq	741	Up&Random3	4 / 4	1	120		
Seq	742	Up&Random4	4 / 4	1	120		
Seq	743	OctSeq1	4 / 4	1	130		
Seq	744	OctSeq2	4 / 4	1	130		
Seq	745	OctSeq3	4 / 4	1	130		
Seq	746	OctSeq4	4 / 4	1	130		
Seq	747	OctSeq5	4 / 4	1	130		
Seq	748	OctSeq6	4 / 4	1	90		
Seq	749	OctSeq7	4 / 4	1	90		
Seq	750	OctSeq8	4 / 4	1	90		

Category	ARP No.	ARP Name	Time Signature	Length	Original Tempo	Accent	Note/Chord
Seq	751	RandomSeq1	4 / 4	1	90		
Seq	752	RandomSeq2	4 / 4	1	90		
Seq	753	RandomSeq3	4 / 4	1	90		
Seq	754	RndmNotes	4 / 4	1	70		
Seq	755	VelGruv1	4 / 4	1	134		
Seq	756	VelGruv2	4 / 4	1	134		
Seq	757	X-Sweep1	4 / 4	1	140		
Seq	758	X-Sweep2	4 / 4	1	140		
Seq	759	X-Sweep3	4 / 4	1	140		
Seq	760	Simple2	4 / 4	1	130		
Seq	761	Simple3	4 / 4	1	130		
Seq	762	Simple4	4 / 4	1	130		
Seq	763	Simple5	4 / 4	1	130		
Seq	764	Simple6	4 / 4	1	130		
Seq	765	Basic1	4 / 4	1	130		
Seq	766	Basic2	4 / 4	1	130		
Seq	767	FifthSQ1	4 / 4	1	130		
Seq	768	FifthSQ2	4 / 4	1	130		
Seq	769	FifthSQ3	4 / 4	1	130		
Seq	770	FifthSQ4	4 / 4	1	130		
Seq	771	FifthSQ5	4 / 4	1	130		
Seq	772	MuteArp1	4 / 4	1	120		
Seq	773	MuteArp2	4 / 4	1	120		
Seq	774	MuteLine	4 / 4	1	134		
Seq	775	Chodal	4 / 4	2	150		
Seq	776	Wavbl16th	4 / 4	1	90		
Chd	777	FunkyChop	4 / 4	1	120		
Chd	778	ChillOut	4 / 4	2	79		
Chd	779	ChillChrd1	4 / 4	1	90		
Chd	780	ChillChrd2	4 / 4	1	90		
Chd	781	ChillChrd3	4 / 4	1	90		
Chd	782	TranceRtm	4 / 4	4	140		
Chd	783	TranceStab	4 / 4	2	140		
Chd	784	DreamDance	4 / 4	2	136		
Chd	785	Ibiza1	4 / 4	1	135		
Chd	786	Ibiza2	4 / 4	2	135		
Chd	787	Ibiza3	4 / 4	2	135		
Chd	788	Garage1	4 / 4	2	127		
Chd	789	Garage2	4 / 4	2	127		
Chd	790	Syncopa	4 / 4	2	120		
Chd	791	TekEcho	4 / 4	2	120		
Chd	792	Fugue	4 / 4	2	120		
Chd	793	Rosync	4 / 4	1	120		
Chd	794	SyncIavk	4 / 4	2	140		
Chd	795	HiFive	4 / 4	1	118		
Chd	796	SynChord1	4 / 4	1	130		
Chd	797	SynChord2	4 / 4	1	90		
Chd	798	SynChord3	4 / 4	1	130		
Chd	799	SynChord4	4 / 4	1	130		
Chd	800	SynChord5	4 / 4	1	90		
Chd	801	SynChord6	4 / 4	1	116		
Chd	802	SynChord7	4 / 4	4	130		
Chd	803	SynChord8	4 / 4	1	124		
Chd	804	SynChord9	4 / 4	2	130		
Chd	805	BassChord1	4 / 4	2	130		
Chd	806	BassChord2	4 / 4	1	130		
Chd	807	BassChord3	4 / 4	1	130		
Chd	808	BassChord4	4 / 4	1	130		
Chd	809	BassChord5	4 / 4	1	130		
Chd	810	BassChord6	4 / 4	1	130		
Chd	811	BassChord7	4 / 4	2	130		
Chd	812	BassChord8	4 / 4	1	130		
Chd	813	ChordAltB1	4 / 4	1	120		
Chd	814	ChordAltB2	4 / 4	1	120		
Chd	815	ChrdRandm1	4 / 4	1	120		
Chd	816	ChrdRandm2	4 / 4	1	120		
Hybr	817	Hybrid1	4 / 4	1	130		
Hybr	818	Hybrid2	4 / 4	1	130		
Hybr	819	Hybrid3	4 / 4	1	130		
Hybr	820	Hybrid4	4 / 4	1	130		
Hybr	821	Hybrid5	4 / 4	1	95		
Hybr	822	Hybrid6	4 / 4	1	130		
Hybr	823	Hybrid7	4 / 4	1	130		
Hybr	824	Hybrid8	4 / 4	1	90		
Hybr	825	Hybrid9	4 / 4	1	130		
Hybr	826	Hybrid10	4 / 4	1	130		
Hybr	827	Hybrid11	4 / 4	1	130		
Hybr	828	Hybrid12	4 / 4	1	90		
Hybr	829	Hybrid13	4 / 4	1	130		
Hybr	830	Hybrid14	4 / 4	1	130		
Hybr	831	Hybrid15	4 / 4	1	130		
Hybr	832	Hybrid16	4 / 4	1	106		
Hybr	833	Hybrid17	4 / 4	1	130		
Hybr	834	Hybrid18	4 / 4	1	110		

Arpeggio Type List

Category	ARP No.	ARP Name	Time Signature	Length	Original Tempo	Accent	Note/Chord
Hybr	835	Hybrid19	4 / 4	1	100		
Hybr	836	Hybrid20	4 / 4	1	116		
Hybr	837	Hybrid21	4 / 4	1	130		
Hybr	838	Hybrid22	4 / 4	1	130		
Hybr	839	Hybrid23	4 / 4	1	120		
Hybr	840	Hybrid24	4 / 4	1	100		
Hybr	841	Hybrid25	4 / 4	1	138		
Hybr	842	Hybrid26	4 / 4	1	130		
Hybr	843	Hybrid27	4 / 4	1	130		
Hybr	844	Hybrid28	4 / 4	1	96		
Hybr	845	Parade	4 / 4	2	120		
Hybr	846	SynPopComb	4 / 4	4	90		
Hybr	847	TrancyN	4 / 4	1	140		N
Hybr	848	2ZCombSQ1	4 / 4	1	90		
Hybr	849	2ZCombSQ2	4 / 4	1	130		
Hybr	850	2ZCombSQ3	4 / 4	2	130		
Hybr	851	2ZCombSQ4	4 / 4	2	130		
Hybr	852	2ZCombSQ5	4 / 4	1	130		
Hybr	853	2ZCombSQ6	4 / 4	1	70		
Hybr	854	2ZCombSQ7	4 / 4	2	130		
Hybr	855	2ZCombSQ8	4 / 4	2	70		
Hybr	856	2ZCombSQ9	4 / 4	1	70		
Hybr	857	2ZCombSQ10	4 / 4	1	70		
Hybr	858	2ZCombSQ11	4 / 4	2	90		
Hybr	859	4ZHybVel1	4 / 4	1	96		
Hybr	860	4ZHybVel2	4 / 4	1	96		
Hybr	861	4ZHybVel3	4 / 4	1	96		
Hybr	862	4ZHybVel4	4 / 4	1	96		
Hybr	863	4ZHybVel5	4 / 4	1	96		
Hybr	864	4ZHybVel6	4 / 4	1	96		
Hybr	865	4ZHybVel7	4 / 4	1	96		
Hybr	866	4ZHybVel8	4 / 4	2	120		
Hybr	867	4ZHybVel9	4 / 4	2	120		
Hybr	868	4ZHybVel10	4 / 4	2	120		
Hybr	869	4ZHybVel11	4 / 4	2	120		
Hybr	870	4ZHybVel12	4 / 4	2	120		
Hybr	871	4Zone1A	4 / 4	2	130		
Hybr	872	4Zone1B	4 / 4	2	130		
Hybr	873	4Zone2A	4 / 4	1	130		
Hybr	874	4Zone2B	4 / 4	1	130		
Hybr	875	4Zone2C	4 / 4	1	130		
Hybr	876	4Zone2D	4 / 4	1	130		
Hybr	877	4Zone3A	4 / 4	1	70		
Hybr	878	4Zone3B	4 / 4	1	94		
Hybr	879	4Zone3C	4 / 4	1	94		
Hybr	880	4Zone4A	4 / 4	1	70		
Hybr	881	4Zone5A	4 / 4	1	70		
Hybr	882	4Zone5B	4 / 4	1	70		
Hybr	883	4ZHybPrc1	4 / 4	1	130		
Hybr	884	4ZHybPrc2	4 / 4	1	130		
Hybr	885	4ZHybPrc3	4 / 4	1	130		
Hybr	886	4ZHybPrc4	4 / 4	1	130		
Hybr	887	4ZHybPrc5	4 / 4	1	130		
Hybr	888	4ZHybPrc6	4 / 4	1	130		
Hybr	889	4ZHybPrc7	4 / 4	1	130		
Hybr	890	4ZHybPrc8	4 / 4	1	90		
Hybr	891	4ZHybPrc9	4 / 4	1	90		
Hybr	892	4ZHybPrc10	4 / 4	1	90		
Hybr	893	4Z_lce1	1 / 4	8	130		
Hybr	894	4Z_lce2	1 / 4	8	130		
Hybr	895	4Z_lce3	1 / 4	8	130		
Hybr	896	4Z_lce4	1 / 4	8	130		
Hybr	897	4Z_lce5N	1 / 4	8	130		N
Hybr	898	4Z_lce6N	1 / 4	4	140		N
Hybr	899	4Z_lce7	1 / 4	4	140		
Hybr	900	RndmBeat1	4 / 4	8	90		
Hybr	901	RndmBeat2	4 / 4	8	90		
Hybr	902	8ZoneArpH1	4 / 4	2	112		
Hybr	903	8ZoneArpH2	4 / 4	2	112		
Hybr	904	8ZoneArp1	4 / 4	1	112		
Hybr	905	8ZoneArp2	4 / 4	1	112		
Hybr	906	8ZoneArp3	4 / 4	1	140		
Hybr	907	PadLSeqL1	4 / 4	2	108		
Hybr	908	PadLSeqL2	4 / 4	2	104		
Hybr	909	PadLSeqL3	4 / 4	2	104		
Hybr	910	PadLSeqL4	4 / 4	2	104		
Hybr	911	PadLSeqL5	4 / 4	1	108		
Hybr	912	PadLSeqL6	4 / 4	2	90		
Hybr	913	PadLSeqL7	4 / 4	1	90		
Hybr	914	PadLSeqL8	4 / 4	1	90		
Hybr	915	PadLSeqL9	4 / 4	1	145		
Hybr	916	PadLSeqL10	4 / 4	1	90		
Hybr	917	PadHSeq1	4 / 4	1	70		
Hybr	918	PadHSeq2	4 / 4	1	70		

Category	ARP No.	ARP Name	Time Signature	Length	Original Tempo	Accent	Note/Chord
Hybr	919	PadHSeq3	4 / 4	1	70		
Hybr	920	PadHSeq4	4 / 4	1	90		
Hybr	921	PadHSeq5	4 / 4	1	124		
Hybr	922	PadHSeq6	4 / 4	1	56		
Hybr	923	PadHSeq7	4 / 4	2	145		
Hybr	924	PadHSeq8	4 / 4	1	145		
Hybr	925	PadHSeq9	4 / 4	2	145		
Hybr	926	PadHSeq10	4 / 4	2	145		
Hybr	927	PadHSeq11	4 / 4	1	145		
Hybr	928	PadHSeq12	4 / 4	1	145		
Ctrl	929	GateCut1	4 / 4	4	120	(CC#10,71,74)	
Ctrl	930	GateCut2	4 / 4	1	120	(CC#74)	
Ctrl	931	CC-Dive1	4 / 4	4	130	(CC#71,74)	
Ctrl	932	CC-Dive2	4 / 4	2	130	(CC#71,74)	
Ctrl	933	FitrWave1	4 / 4	4	105	(CC#71,74)	
Ctrl	934	FitrWave2	4 / 4	4	105	(CC#71,74)	
Ctrl	935	FitrFill1	4 / 4	1	153	(CC#74)	
Ctrl	936	FitrFill2	4 / 4	1	153	(CC#74)	
Ctrl	937	HipHop1	4 / 4	2	94	(CC#71,74)	
Ctrl	938	ChillOut	4 / 4	2	79	(CC#74)	
Ctrl	939	ClubHouse	4 / 4	2	128	(CC#71,74)	
Ctrl	940	Garage	4 / 4	1	127	(CC#74)	
Ctrl	941	GateL1	4 / 4	1	134	(CC#11)	
Ctrl	942	GateL2	4 / 4	1	134	(CC#11)	
Ctrl	943	GateL3	4 / 4	1	134	(CC#11)	
Ctrl	944	GateL4	4 / 4	1	134	(CC#11)	
Ctrl	945	GateL5	4 / 4	1	134	(CC#11)	
Ctrl	946	GateL6	4 / 4	1	134	(CC#11)	
Ctrl	947	GateL7	4 / 4	1	134	(CC#11)	
Ctrl	948	GateL8	4 / 4	1	134	(CC#11)	
Ctrl	949	GateL9	4 / 4	1	134	(CC#11)	
Ctrl	950	GateL10	4 / 4	1	134	(CC#11)	
Ctrl	951	GateL11	4 / 4	1	134	(CC#11)	
Ctrl	952	GateL12	4 / 4	1	134	(CC#11)	
Ctrl	953	GateL13	4 / 4	1	134	(CC#11)	
Ctrl	954	GateM1	4 / 4	1	134	(CC#11)	
Ctrl	955	GateM2	4 / 4	1	134	(CC#11)	
Ctrl	956	GateM3	4 / 4	1	134	(CC#11)	
Ctrl	957	GateM4	4 / 4	1	134	(CC#11)	
Ctrl	958	GateM5	4 / 4	1	134	(CC#11)	
Ctrl	959	GateM6	4 / 4	1	134	(CC#11)	
Ctrl	960	GateM7	4 / 4	1	134	(CC#11)	
Ctrl	961	GateM8	4 / 4	1	134	(CC#11)	
Ctrl	962	GateM9	4 / 4	1	134	(CC#11)	
Ctrl	963	GateM10	4 / 4	1	134	(CC#11)	
Ctrl	964	GateM11	4 / 4	1	134	(CC#11)	
Ctrl	965	GateM12	4 / 4	1	134	(CC#11)	
Ctrl	966	GateM13	4 / 4	1	134	(CC#11)	
Ctrl	967	GateS1	4 / 4	1	134	(CC#11)	
Ctrl	968	GateS2	4 / 4	1	134	(CC#11)	
Ctrl	969	GateS3	4 / 4	1	134	(CC#11)	
Ctrl	970	GateS4	4 / 4	1	134	(CC#11)	
Ctrl	971	GateS5	4 / 4	1	134	(CC#11)	
Ctrl	972	GateS6	4 / 4	1	134	(CC#11)	
Ctrl	973	GateS7	4 / 4	1	134	(CC#11)	
Ctrl	974	GateS8	4 / 4	1	134	(CC#11)	
Ctrl	975	GateS9	4 / 4	1	134	(CC#11)	
Ctrl	976	GateS10	4 / 4	1	134	(CC#11)	
Ctrl	977	GateS11	4 / 4	1	134	(CC#11)	
Ctrl	978	GateS12	4 / 4	1	134	(CC#11)	
Ctrl	979	GateS13	4 / 4	1	134	(CC#11)	
Ctrl	980	GateS14	4 / 4	1	134	(CC#11)	
Ctrl	981	GateS15	4 / 4	1	134	(CC#11)	
Ctrl	982	LevSawDown	4 / 4	1	90	(CC#11)	
Ctrl	983	SlicePhras1	4 / 4	1	153	(CC#11)	
Ctrl	984	SlicePhras2	4 / 4	1	153	(CC#11)	
Ctrl	985	PanFtx8+LR	4 / 4	1	153	(CC#10)	
Ctrl	986	HipHop2	4 / 4	2	94	(CC#10)	
Ctrl	987	ModControl	4 / 4	4	64	(CC#1)	
Ctrl	988	ModCtrlU	4 / 4	4	90	(CC#1)	
Ctrl	989	BottlDwVib	4 / 4	4	120	(PB, PB Range=12)	
Ctrl	990	ThrobFx	4 / 4	4	100	(PB, PB Range=24)	
Ctrl	991	PtchEffect	4 / 4	1	153	(PB, PB Range=24)	
Ctrl	992	AS1Env1	4 / 4	1	90	(CC#16)	
Ctrl	993	AS1Env2	4 / 4	1	90	(CC#16)	
Ctrl	994	AS1Tri+1	4 / 4	1	150	(CC#16)	
Ctrl	995	AS1Up+1	4 / 4	1	90	(CC#16)	
Ctrl	996	AS2Env	4 / 4	1	90	(CC#17)	
Ctrl	997	AS2Tri+1	4 / 4	1	90	(CC#17)	
Ctrl	998	AS2TrIF	4 / 4	4	90	(CC#17)	
Ctrl	999	AS2SawDw	4 / 4	1	90	(CC#17)	

(\*contents provided by Keyfax New Media — www.keyfax.com)

# Effect Type List

Category	Effect Type Name	Type (HEX)		REV	CHO	INS
		MSB	LSB			
	---	NO EFFECT	00	00	○	○
	---	THRU	00	00		○
REVERB						
	REV	REV-X HALL	01	00	○	
	REV	R3 HALL	01	01	○	
	REV	SPX HALL	01	02	○	○
	REV	REV-X ROOM	01	10	○	
	REV	R3 ROOM	01	11	○	
	REV	SPX ROOM	01	12	○	○
	REV	R3 PLATE	01	20	○	
	REV	SPX STAGE	01	30	○	○
	REV	SPACE SIMULATOR	01	40	○	
DELAY						
	DLY	CROSS DELAY	02	00		○
	DLY	TEMPO CROSS DELAY	02	10		○
	DLY	TEMPO DELAY MONO	02	20		○
	DLY	TEMPO DELAY STEREO	02	28		○
	DLY	CONTROL DELAY	02	30		○
	DLY	DELAY LR	02	40		○
	DLY	DELAY LCR	02	50		○
	DLY	DELAY LR (Stereo)	02	48		○
CHORUS						
	CHO	G CHORUS	03	00		○
	CHO	2 MODULATOR	03	10		○
	CHO	SPX CHORUS	03	20		○
	CHO	SYMPHONIC	03	30		○
	CHO	ENSEMBLE DETUNE	03	40		○
FLANGER						
	FLG	VCM FLANGER	04	00		○
	FLG	CLASSIC FLANGER	04	10		○
	FLG	TEMPO FLANGER	04	20		○
PHASER						
	PHA	VCM PHASER MONO	05	00		○
	PHA	VCM PHASER STEREO	05	10		○
	PHA	TEMPO PHASER	05	20		○
TOREMOLO&ROTARY						
	T&R	AUTO PAN	06	00		○
	T&R	TREMOLO	06	10		○
	T&R	ROTARY SPEAKER	06	20		○
DISTORTION						
	DST	AMP SIMULATOR 1	07	00		○
	DST	AMP SIMULATOR 2	07	10		○
	DST	COMP DISTORTION	07	20		○
	DST	COMP DISTORTION DELAY	07	30		○
COMPRESSOR						
	CMP	VCM COMPRESSOR 376	08	00		○
	CMP	CLASSIC COMPRESSOR	08	10		○
	CMP	MULTI BAND COMP	08	20		○
WAH						
	WAH	VCM AUTO WAH	0A	00		○
	WAH	VCM TOUCH WAH	0A	10		○
	WAH	VCM PEDAL WAH	0A	20		○
LO-FI						
	L-F	NOISY	0B	10		○
	L-F	DIGITAL TURNTABLE	0B	20		○
TECH						
	TEC	RING MODULATOR	0C	00		○
	TEC	AUTO SYNTH	0C	30		○
	TEC	ISOLATOR	0C	40		○
	TEC	TECH MODULATION	0C	60		○
MISC						
	MSC	VCM EQ 501	0D	00		○
	MSC	HARMONIC ENHANCER	0D	10		○
	MSC	TALKING MODULATOR	0D	20		○
	MSC	DAMPER RESONANCE	0D	30		○
	MSC	PITCH CHANGE	0D	40		○
	MSC	EARLY REFLECTION	0D	50		○
	MSC	NOISE GATE+COMP+EQ	0D	70		○



# Effect Parameter List

## Reverb Block

### [0] NO EFFECT

When this type is selected, no parameters are available.

### [1] REV-X HALL [4] REV-X ROOM

No.	Parameter	Range	Value	Table No.
1	Reverb Time	0.3s – xy,zs (*1)	(0 – 69)	20/21
2	Diffusion	0 – 10	(0 – 10)	
3	Initial Delay	0.1ms – 200.0ms	(0 – 127)	5
4	HPF Cutoff Frequency	20Hz – 8.0kHz	(0 – 52)	3
5	LPF Cutoff Frequency	1.0kHz – 20.0kHz	(34 – 60)	3
6	Room Size	0 – 31	(0 – 31)	
7	High Ratio	0.1 – 1.0	(1 – 10)	
8	Low Ratio	0.1 – 1.4	(1 – 14)	
9	Decay	0 – 63	(0 – 63)	
10	—			
11	—			
12	—			
13	—			
14	—			
15	—			
16	—			

\*1: For details, refer to the Effect Data Assign Table.

REV-X HALL: Table No.20

REV-X ROOM: Table No.21

### [2] R3 HALL [3] SPX HALL [5] R3 ROOM [6] SPX ROOM [7] R3 PLATE [8] SPX STAGE

No.	Parameter	Range	Value	Table No.
1	Reverb Time	0.3s – 30.0s	(0 – 69)	4
2	Diffusion	0 – 10	(0 – 10)	
3	Initial Delay	0.1ms – 200.0ms	(0 – 127)	5
4	HPF Cutoff Frequency	20Hz – 8.0kHz	(0 – 52)	3
5	LPF Cutoff Frequency	1.0kHz – 20.0kHz	(34 – 60)	3
6	—			
7	—			
8	—			
9	—			
10	—			
11	Reverb Delay	0.1ms – 200.0ms	(0 – 127)	5
12	Density	0 – 4	(0 – 4)	
13	ER/Rev Balance	E63>R – E=R – E<R63	(1 – 127)	
14	Feedback High Damp	0.1 – 1.0	(1 – 10)	
15	Feedback Level	-63 – +63	(1 – 127)	
16	—			

### [9] SPACE SIMULATOR

No.	Parameter	Range	Value	Table No.
1	Reverb Time	0.3s – 30.0s	(0 – 69)	4
2	Diffusion	0 – 10	(0 – 10)	
3	Initial Delay	0.1ms – 200.0ms	(0 – 127)	5
4	HPF Cutoff Frequency	20Hz – 8.0kHz	(0 – 52)	3
5	LPF Cutoff Frequency	1.0kHz – 20.0kHz	(34 – 60)	3
6	Width	0.5m – 30.2m	(0 – 104)	11
7	Height	0.5m – 30.2m	(0 – 104)	11
8	Depth	0.5m – 30.2m	(0 – 104)	11
9	Wall Vary	0 – 30	(0 – 30)	
10	—			
11	Reverb Delay	0.1ms – 200.0ms	(0 – 127)	5
12	Density	0 – 4	(0 – 4)	
13	ER/Rev Balance	E63>R – E=R – E<R63	(1 – 127)	
14	Feedback High Damp	0.1 – 1.0	(1 – 10)	
15	Feedback Level	-63 – +63	(1 – 127)	
16	Space Type	0 – 1	(0 – 1)	

## Chorus, Insertion Block

\*In the Chorus Block, the "Dry/Wet Balance" and "Mix" parameters are not available.

### [0] THRU/NO EFFECT

When this type is selected, no parameters are available.

## Category — REVERB

### [1] SPX HALL [2] SPX ROOM [3] SPX STAGE

No.	Parameter	Range	Value	Table No.
1	Reverb Time	0.3s – 30.0s	(0 – 69)	4
2	Diffusion	0 – 10	(0 – 10)	
3	Initial Delay	0.1ms – 99.3ms	(0 – 63)	5
4	HPF Cutoff Frequency	20Hz – 8.0kHz	(0 – 52)	3
5	LPF Cutoff Frequency	1.0kHz – 20.0kHz	(34 – 60)	3
6	—			
7	—			
8	—			
9	—			
10	Dry/Wet Balance	D63>W – D=W – D<W63	(1 – 127)	
11	Reverb Delay	0.1ms – 99.3ms	(0 – 63)	5
12	Density	0 – 4 (Chorus Block: 0 – 2)	(0 – 4) (0 – 2)	
13	ER/Rev Balance	E63>R – E=R – E<R63	(1 – 127)	
14	Feedback High Damp	0.1 – 1.0	(1 – 10)	
15	Feedback Level	-63 – +63	(1 – 127)	
16	—			

## Category — DELAY

### [1] CROSS DELAY

No.	Parameter	Range	Value	Table No.
1	Delay Time L>R	0.1ms – 1638.3ms	(1 – 16383)	
2	Delay Time R>L	0.1ms – 1638.3ms	(1 – 16383)	
3	Feedback Level	-63 – +63	(1 – 127)	
4	Input Select	L, R, L&R	(0 – 2)	
5	Feedback High Damp	0.1 – 1.0	(1 – 10)	
6	—			
7	—			
8	—			
9	—			
10	Dry/Wet Balance	D63>W – D=W – D<W63	(1 – 127)	
11	—			
12	—			
13	EQ Low Frequency	32Hz – 2.0kHz	(4 – 40)	3
14	EQ Low Gain	-12dB – +12dB	(52 – 76)	
15	EQ High Frequency	500Hz – 16.0kHz	(28 – 58)	3
16	EQ High Gain	-12dB – +12dB	(52 – 76)	

### [2] TEMPO CROSS DELAY

No.	Parameter	Range	Value	Table No.
1	Delay Time L>R	32nd/3 – 4thX6	(0 – 19)	12
2	Delay Time R>L	32nd/3 – 4thX6	(0 – 19)	12
3	Feedback Level	-63 – +63	(1 – 127)	
4	Input Select	L, R, L&R	(0 – 2)	
5	Feedback High Damp	0.1 – 1.0	(1 – 10)	
6	Lag	-63ms – +63ms	(1 – 127)	
7	—			
8	—			
9	—			
10	Dry/Wet Balance	D63>W – D=W – D<W63	(1 – 127)	
11	—			
12	—			

13 – 16: Same as the parameters shaded in gray in CROSS DELAY above.

**[3] TEMPO DELAY MONO**

No.	Parameter	Range	Value	Table No.
1	Delay Time	32nd/3 – 4thX6	(0 – 19)	12
2	Feedback Level	-63 – +63	(1 – 127)	
3	Feedback High Damp	0.1 – 1.0	(1 – 10)	
4	L/R Diffusion	-63ms – +63ms	(1 – 127)	
5	Lag	-63ms – +63ms	(1 – 127)	
6	—			
7	—			
8	—			
9	—			
10	Dry/Wet Balance	D63>W – D=W – D<W63	(1 – 127)	
11	—			
12	—			

13 – 16: Same as the parameters shaded in gray in CROSS DELAY on page 33.

**[7] DELAY L, C, R**

No.	Parameter	Range	Value	Table No.
1	Delay Time L	0.1ms – 1638.3 ms	(1 – 16383)	
2	Delay Time R	0.1ms – 1638.3 ms	(1 – 16383)	
3	Delay Time C	0.1ms – 1638.3 ms	(1 – 16383)	
4	Feedback Time	0.1ms – 1638.3 ms	(1 – 16383)	
5	Feedback Level	-63 – +63	(1 – 127)	
6	Delay Level C	0 – 127	(0 – 127)	
7	Feedback High Damp	0.1 – 1.0	(1 – 10)	
8	—			
9	—			
10	Dry/Wet Balance	D63>W – D=W – D<W63	(1 – 127)	
11	—			
12	—			

13 – 16: Same as the parameters shaded in gray in CROSS DELAY on page 33.

**[4] TEMPO DELAY STEREO**

No.	Parameter	Range	Value	Table No.
1	Delay Time	32nd/3 – 4thX6	(0 – 19)	12
2	Feedback Level	-63 – +63	(1 – 127)	
3	Feedback High Damp	0.1 – 1.0	(1 – 10)	
4	L/R Diffusion	-63ms – +63ms	(1 – 127)	
5	Lag	-63ms – +63ms	(1 – 127)	
6	—			
7	—			
8	—			
9	—			
10	Dry/Wet Balance	D63>W – D=W – D<W63	(1 – 127)	
11	—			
12	—			

13 – 16: Same as the parameters shaded in gray in CROSS DELAY on page 33.

**[8] DELAY L, R (STEREO)**

No.	Parameter	Range	Value	Table No.
1	Delay Time L	0.1ms – 1638.3 ms	(1 – 16383)	
2	Delay Time R	0.1ms – 1638.3 ms	(1 – 16383)	
3	Feedback Time L	0.1ms – 1638.3 ms	(1 – 16383)	
4	Feedback Time R	0.1ms – 1638.3 ms	(1 – 16383)	
5	Feedback Level	-63 – +63	(1 – 127)	
6	Feedback High Damp	0.1 – 1.0	(1 – 10)	
7	—			
8	—			
9	—			
10	Dry/Wet Balance	D63>W – D=W – D<W63	(1 – 127)	
11	—			
12	—			

13 – 16: Same as the parameters shaded in gray in CROSS DELAY on page 33.

**[5] CONTROL DELAY**

No.	Parameter	Range	Value	Table No.
1	Delay Time	0.1ms – 1486.0 ms	(1 – 14860)	
2	Delay Transition Rate	1 – 48	(1 – 48)	
3	Feedback Level	-63 – +63	(1 – 127)	
4	Feedback High Damp	0.1 – 1.0	(1 – 10)	
6 – 9	Same as the parameters shaded in gray in CROSS DELAY on page 33.			
10	Dry/Wet Balance	D63>W – D=W – D<W63	(1 – 127)	
11	Control Type	Normal, Scratch	(0 – 1)	
12	—			
13	—			
14	—			
15	—			
16	—			

**[6] DELAY L, R**

No.	Parameter	Range	Value	Table No.
1	Delay Time L	0.1ms – 1638.3 ms	(1 – 16383)	
2	Delay Time R	0.1ms – 1638.3 ms	(1 – 16383)	
3	Feedback Time 1	0.1ms – 1638.3 ms	(1 – 16383)	
4	Feedback Time 2	0.1ms – 1638.3 ms	(1 – 16383)	
5	Feedback Level	-63 – +63	(1 – 127)	
6	Feedback High Damp	0.1 – 1.0	(1 – 10)	
7	—			
8	—			
9	—			
10	Dry/Wet Balance	D63>W – D=W – D<W63	(1 – 127)	
11	—			
12	—			

13 – 16: Same as the parameters shaded in gray in CROSS DELAY on page 33.

**Category — CHORUS**

**[1] G CHORUS**

No.	Parameter	Range	Value	Table No.
1	LFO Speed	0.0Hz – 39.70Hz	(0 – 127)	1
2	—			
3	PM Depth	0 – 127	(0 – 127)	
4	Feedback Level	-63 – +63	(1 – 127)	
5	Delay Offset	0.0ms – 50.0ms	(0 – 127)	2
6 – 9	Same as the parameters shaded in gray in CROSS DELAY on page 33.			
10	Dry/Wet Balance	D63>W – D=W – D<W63	(1 – 127)	
11	EQ Mid Frequency (*2)	100Hz – 10.0kHz	(14 – 54)	3
12	EQ Mid Gain (*2)	-12dB – +12dB	(52 – 76)	
13	EQ Mid Width (*2)	0.1 – 12.0	(1 – 120)	
14	—			
15	Input Mode	Mono, Stereo	(0 – 1)	
16	—			

\*2: Insertion Block only.

**[2] 2 MODULATOR**

No.	Parameter	Range	Value	Table No.
1	LFO Speed	0.0Hz – 39.70Hz	(0 – 127)	1
2	AM Depth	0 – 127	(0 – 127)	
3	PM Depth	0 – 127	(0 – 127)	
4	Feedback Level	-63 – +63	(1 – 127)	
5	Delay Offset	0.0ms – 50.0ms	(0 – 127)	2
6 – 9	Same as the parameters shaded in gray in CROSS DELAY on page 33.			
10	Dry/Wet Balance	D63>W – D=W – D<W63	(1 – 127)	
11	EQ Mid Frequency (*2)	100Hz – 10.0kHz	(14 – 54)	3
12	EQ Mid Gain (*2)	-12dB – +12dB	(52 – 76)	
13	EQ Mid Width (*2)	0.1 – 12.0	(1 – 120)	
14	—			
15	Input Mode	Mono, Stereo	(0 – 1)	
16	—			

\*2: Insertion Block only.

**[3] SPX CHORUS**

No.	Parameter	Range	Value	Table No.
1	LFO Speed	0.0Hz – 39.70Hz	(0 – 127)	1
2	LFO Depth	0 – 127	(0 – 127)	
3	Feedback Level	-63 – +63	(1 – 127)	
4	Delay Offset	0.0ms – 50.0ms	(0 – 127)	2
5	—			
6 – 9: Same as the parameters shaded in gray in CROSS DELAY on page 33.				
10	Dry/Wet Balance	D63>W – D=W – D<W63	(1 – 127)	
11	EQ Mid Frequency (*2)	100Hz – 10.0kHz	(14 – 54)	3
12	EQ Mid Gain (*2)	-12dB – +12dB	(52 – 76)	
13	EQ Mid Width (*2)	0.1 – 12.0	(1 – 120)	
14	—			
15	Input Mode	Mono, Stereo	(0 – 1)	
16	—			

\*2: Insertion Block only.

**[4] SYMPHONIC**

No.	Parameter	Range	Value	Table No.
1	LFO Speed	0.0Hz – 39.70Hz	(0 – 127)	1
2	LFO Depth	0 – 127	(0 – 127)	
3	Delay Offset	0.0ms – 50.0ms	(0 – 127)	2
4	—			
5	—			
6 – 9: Same as the parameters shaded in gray in CROSS DELAY on page 33.				
10	Dry/Wet Balance	D63>W – D=W – D<W63	(1 – 127)	
11	EQ Mid Frequency (*2)	100Hz – 10.0kHz	(14 – 54)	3
12	EQ Mid Gain (*2)	-12dB – +12dB	(52 – 76)	
13	EQ Mid Width (*2)	0.1 – 12.0	(1 – 120)	
14	—			
15	—			
16	—			

\*2: Insertion Block only.

**[5] ENSEMBLE DETUNE**

No.	Parameter	Range	Value	Table No.
1	Detune	-50cent – +50cent	(14 – 114)	
2	Initial Delay Lch	0.0ms – 50.0ms	(0 – 127)	2
3	Initial Delay Rch	0.0ms – 50.0ms	(0 – 127)	2
4	Spread	0 – 63	(0 – 63)	
5	—			
6	—			
7	—			
8	—			
9	—			
10	Dry/Wet Balance	D63>W – D=W – D<W63	(1 – 127)	
11 – 14: Same as the parameters shaded in gray in CROSS DELAY on page 33.				
15	—			
16	—			

**Category — FLANGER**

**[1] VCM FLANGER**

No.	Parameter	Range	Value	Table No.
1	Speed	0.040Hz – 10.00Hz	(0 – 235)	17
2	Manual	0 – 127	(0 – 127)	
3	Depth	0 – 127	(0 – 127)	
4	Feedback	0 – 127	(0 – 127)	
5	Type	1 – 3	(0 – 2)	
6	Spread	0 – 127	(0 – 127)	
7	Mix	0 – 127	(0 – 127)	
8	—			
9	—			
10	—			
11	—			
12	—			
13	—			
14	—			
15	—			
16	—			

**[2] CLASSIC FLANGER**

No.	Parameter	Range	Value	Table No.
1	LFO Speed	0.0Hz – 39.70Hz	(0 – 127)	1
2	LFO Depth	0 – 127	(0 – 127)	
3	LFO Wave	Triangle, Sine	(0 – 1)	
4	Delay Offset	0.09 – 36.21ms	(0 – 139)	15
5	Feedback Level	-100 – +100%	(0 – 200)	
6 – 9: Same as the parameters shaded in gray in CROSS DELAY on page 33.				
10	Dry/Wet Balance	D63>W – D=W – D<W63	(1 – 127)	
11	EQ Mid Frequency	100Hz – 10.0kHz	(14 – 54)	3
12	EQ Mid Gain	-12dB – +12dB	(52 – 76)	
13	EQ Mid Width	0.1 – 12.0	(1 – 120)	
14	Modulation Phase	-180 – +180	(0 – 16)	21
15	Feedback High Damp	0.1 – 1.0	(1 – 10)	
16	Analog Feel	0 – 10	(0 – 10)	

**[3] TEMPO FLANGER**

No.	Parameter	Range	Value	Table No.
1	LFO Speed	16th – 4thX16	(5 – 29)	12
2	LFO Depth	0 – 127	(0 – 127)	
3	Feedback Level	-63 – +63	(1 – 127)	
4	Delay Offset	0.0ms – 50.0ms	(0 – 127)	2
5	LFO Phase Reset	Off (free run), Key On Reset, SEQ Start Reset	(0 – 2)	
6 – 9: Same as the parameters shaded in gray in CROSS DELAY on page 33.				
10	Dry/Wet Balance	D63>W – D=W – D<W63	(1 – 127)	
11	EQ Mid Frequency (*2)	100Hz – 10.0kHz	(14 – 54)	3
12	EQ Mid Gain (*2)	-12dB – +12dB	(52 – 76)	
13	EQ Mid Width (*2)	0.1 – 12.0	(1 – 120)	
14	LFO Phase Difference	-180deg – +180deg	(4 – 124)	
15	—			
16	—			

\*2: Insertion Block only.

**Category — PHASER**

**[1] VCM PHASER MONO**

No.	Parameter	Range	Value	Table No.
1	Speed	0.100Hz – 10.00Hz	(0 – 252)	18
2	Manual	0 – 127	(0 – 127)	
3	Depth	0 – 127	(0 – 127)	
4	Feedback	0 – 127	(0 – 127)	
5	Stage	4, 6, 8, 10, 12, 16	(0 – 5)	
6	Mode	1, 2, 3	(0 – 2)	
7	Color	0 – 127	(0 – 127)	
8	—			
9	—			
10	—			
11	—			
12	—			
13	—			
14	—			
15	—			
16	—			

The Color parameter is not available in the following conditions: When Mode is set to 1 and Stage is set to 4, 6, 8, 12 or 16; or when Mode is set to 2 and Stage is set to 4 or 10.

**[2] VCM PHASER STEREO**

No.	Parameter	Range	Value	Table No.
1	Speed	0.100Hz – 10.00Hz	(0 – 252)	18
2	Manual	0 – 127	(0 – 127)	
3	Depth	0 – 127	(0 – 127)	
4	Feedback	0 – 127	(0 – 127)	
5	Stage	4, 6, 8, 10	(0 – 3)	
6	Mode	1, 2	(0 – 1)	
7	Color	0 – 127	(0 – 127)	
8	Spread	0 – 127	(0 – 127)	
9	—			
10	—			
11	—			
12	—			
13	—			
14	—			
15	—			
16	—			

The Color parameter is not available in the following conditions: When Mode is set to 1 and Stage is set to 4, 6, or 8; or when Mode is set to 2 and Stage is set to 4 or 10.

**[3] TEMPO PHASER**

No.	Parameter	Range	Value	Table No.
1	LFO Speed	16th – 4thX16	(5 – 29)	12
2	LFO Depth	0 – 127	(0 – 127)	
3	Phase Shift Offset	0 – 127	(0 – 127)	
4	Feedback Level	-63 – +63	(1 – 127)	
5	LFO Phase Reset	Off (free run), Key On Reset, SEQ Start Reset	(0 – 2)	
6 – 9: Same as the parameters shaded in gray in CROSS DELAY on page 33.				
10	Dry/Wet Balance	D63>W – D=W – D<W63	(1 – 127)	
11	Stage	4 – 22 (Chorus Block: 4 – 12)	(4 – 12)	
12	Diffusion	Mono, Stereo	(0 – 1)	
13	—			
14	—			
15	—			
16	—			

**Category — TREMOLO&ROTARY****[1] AUTO PAN**

No.	Parameter	Range	Value	Table No.
1	LFO Speed	0.0Hz – 39.70Hz	(0 – 127)	1
2	L/R Depth	0 – 127	(0 – 127)	
3	F/R Depth	0 – 127	(0 – 127)	
4	Pan Direction	L<>R, L>>R, L<<R, L Turn, R Turn, L/R	(0 – 5)	
5	LFO Wave	0 – 28	(0 – 28)	
6 – 9: Same as the parameters shaded in gray in CROSS DELAY on page 33.				
10	—			
11	EQ Mid Frequency	100Hz – 10.0kHz	(14 – 54)	3
12	EQ Mid Gain	-12dB – +12dB	(52 – 76)	
13	EQ Mid Width	0.1 – 12.0	(1 – 120)	
14	—			
15	Input Mode	Mono, Stereo	(0 – 1)	
16	—			

**[2] TREMOLO**

No.	Parameter	Range	Value	Table No.
1	LFO Speed	0.0Hz – 39.70Hz	(0 – 127)	1
2	AM Depth	0 – 127	(0 – 127)	
3	PM Depth	0 – 127	(0 – 127)	
4	—			
5	—			
6 – 9: Same as the parameters shaded in gray in CROSS DELAY on page 33.				
10	—			
11	EQ Mid Frequency	100Hz – 10.0kHz	(14 – 54)	3
12	EQ Mid Gain	-12dB – +12dB	(52 – 76)	
13	EQ Mid Width	0.1 – 12.0	(1 – 120)	
14	LFO Phase Difference	-180deg – +180deg	(4 – 124)	
15	Input Mode	Mono, Stereo	(0 – 1)	
16	—			

**[3] ROTARY SPEAKER**

No.	Parameter	Range	Value	Table No.
1	Rotor Speed Slow	0.0Hz – 2.65Hz	(0 – 63)	1
2	Horn Speed Slow	0.0Hz – 2.65Hz	(0 – 63)	1
3	Rotor Speed Fast	2.69Hz – 39.70Hz	(64 – 127)	1
4	Horn Speed Fast	2.69Hz – 39.70Hz	(64 – 127)	1
5	Slow-Fast Time of Rotor	0 – 127	(0 – 127)	
6	Slow-Fast Time of Horn	0 – 127	(0 – 127)	
7	Drive Rotor	0 – 127	(0 – 127)	
8	Drive Horn	0 – 127	(0 – 127)	
9	Rotor/Horn Balance	R63>H – R=H – R<H63	(1 – 127)	
10	—			
11 – 14: Same as the parameters shaded in gray in CROSS DELAY on page 33.				
15	Mic L-R Angle	0deg – 180deg	(0 – 60)	
16	Speed Control	Slow, Fast	(0 – 1)	

**Category — DISTORTION****[1] AMP SIMULATOR 1**

No.	Parameter	Range	Value	Table No.
1	Overdrive	0 – 100%	(0 – 100)	
2	Device	Transistor, Vintage Tube, Distortion 1, Distortion 2, Fuzz	(0 – 4)	
3	Speaker Type	Flat, Stack, Combo, Twin, Radio, Megaphone	(0 – 5)	
4	Presence	-10 – +10	(0 – 20)	
5	Output Level	0 – 100%	(0 – 100)	
6	—			
7	—			
8	—			
9	—			
10	Dry/Wet Balance	D63>W – D=W – D<W63	(1 – 127)	
11	—			
12	—			
13	—			
14	—			
15	—			
16	—			

**[2] AMP SIMULATOR 2**

No.	Parameter	Range	Value	Table No.
1	Overdrive	0 – 127	(0 – 127)	
2	AMP Type	Off, Stack, Combo, Tube, Crunch, Hi Gain, British	(0 – 6)	
3	LPF Cutoff Frequency	1.0kHz – 20.0kHz	(34 – 60)	3
4	Output Level	0 – 127	(0 – 127)	
5	—			
6	—			
7	—			
8	—			
9	—			
10	Dry/Wet Balance	D63>W – D=W – D<W63	(1 – 127)	
11	—			
12	—			
13	—			
14	—			
15	—			
16	—			

**[3] COMP DISTORTION**

No.	Parameter	Range	Value	Table No.
1	Overdrive	0 – 127	(0 – 127)	
2	EQ Low Frequency	32Hz – 2.0kHz	(4 – 40)	3
3	EQ Low Gain	-12dB – +12dB	(52 – 76)	
4	LPF Cutoff Frequency	1.0kHz – 20.0kHz	(34 – 60)	3
5	Output Level	0 – 127	(0 – 127)	
6	—			
7	EQ Mid Frequency	100Hz – 10.0kHz	(14 – 54)	3
8	EQ Mid Gain	-12dB – +12dB	(52 – 76)	
9	EQ Mid Width	0.1 – 12.0	(1 – 120)	
10	Dry/Wet Balance	D63>W – D=W – D<W63	(1 – 127)	
11	Edge	0 – 127	(0 – 127)	
12	Attack	1ms – 40ms	(0 – 19)	8
13	Release	10ms – 680ms	(0 – 15)	9
14	Threshold	-48dB – -6dB	(79 – 121)	
15	Ratio	1.0 – 20.0	(0 – 7)	10
16	—			

**[4] COMP DISTORTION DELAY**

No.	Parameter	Range	Value	Table No.
1	Overdrive	0 – 100%	(0 – 100)	
2	Device	Transistor, Vintage Tube, Distortion 1, Distortion 2, Fuzz	(0 – 4)	
3	Speaker Type	Flat, Stack, Combo, Twin, Radio, Megaphone	(0 – 5)	
4	Presence	-10 – 10	(0 – 20)	
5	Output Level	0 – 100%	(0 – 100)	
6	Delay Time L	0.1ms – 1638.3 ms	(1 – 16383)	
7	Delay Time R	0.1ms – 1638.3 ms	(1 – 16383)	
8	Feedback Time	0.1ms – 1638.3 ms	(1 – 16383)	
9	Feedback Level	-63 – +63	(1 – 127)	
10	Dry/Wet Balance	D63>W – D=W – D<W63	(1 – 127)	
11	Delay Mix	0 – 127	(0 – 127)	
12	Feedback High Damp	0.1 – 1.0	(1 – 10)	
13	Compress	-48dB – -6dB	(79 – 121)	
14	—			
15	—			
16	—			

**Category — COMPRESSOR****[1] VCM COMPRESSOR 376**

No.	Parameter	Range	Value	Table No.
1	Input Level	-∞ – 0.00dB	(0 – 200)	22
2	Output Level	-∞ – 0.00dB	(0 – 200)	22
3	Ratio	2, 4, 8, 12, 20	(0 – 4)	
4	Attack	0.022ms – 50.40ms	(0 – 200)	23
5	Release	10.88ms – 544.22ms	(0 – 200)	24
6	—			
7	—			
8	—			
9	—			
10	—			
11	—			
12	—			
13	—			
14	—			
15	—			
16	—			

**[2] CLASSIC COMPRESSOR**

No.	Parameter	Range	Value	Table No.
1	Attack	1ms – 40ms	(0 – 19)	8
2	Release	10ms – 680ms	(0 – 15)	9
3	Threshold	-48dB – -6dB	(79 – 121)	
4	Ratio	1 – 20.0	(0 – 7)	10
5	Output Level	0 – 127	(0 – 127)	
6	—			
7	—			
8	—			
9	—			
10	—			
11	—			
12	—			
13	—			
14	—			
15	—			
16	—			

**[3] MULTI BAND COMP**

No.	Parameter	Range	Value	Table No.
1	Low Attack	1ms – 200ms	(0 – 29)	8
2	Low Threshold	-54dB – -6dB	(73 – 121)	
3	Low Ratio	1.0 – 20.0	(0 – 7)	10
4	Low Gain	-∞ – +18dB	(0 – 55)	15
5	Mid Attack	1ms – 200ms	(0 – 29)	8
6	Mid Threshold	-54dB – -6dB	(73 – 121)	
7	Mid Ratio	1.0 – 20.0	(0 – 7)	10
8	Mid Gain	-∞ – +18dB	(0 – 55)	13
9	High Attack	1ms – 200ms	(0 – 29)	8
10	High Threshold	-54dB – -6dB	(73 – 121)	
11	High Ratio	1.0 – 20.0	(0 – 7)	10
12	High Gain	-∞ – +18dB	(0 – 55)	13
13	Divide Freq Low	16Hz – 20kHz	(0 – 124)	25
14	Divide Freq High	16Hz – 20kHz	(0 – 124)	25
15	Common Release	10ms – 3000ms	(0 – 23)	9
16	—			

**Category — WAH****[1] VCM AUTO WAH**

No.	Parameter	Range	Value	Table No.
1	Speed	0.100Hz – 20.00Hz	(0 – 254)	19
2	Bottom	0 – 127	(0 – 127)	
3	Top	0 – 127	(0 – 127)	
4	Resonance Offset	-12.0 – +12.0	(40 – 88)	
5	LFO Wave	Sine, Trp	(0 – 1)	
6	Type	High, Mid, Low, Bass	(0 – 3)	
7	Overdrive	0.0dB – +40.0dB	(0 – 80)	
8	Output	-20.0dB – +10.0dB	(24 – 84)	
9	—			
10	—			
11	—			
12	—			
13	—			
14	—			
15	—			
16	—			

When the value of Bottom is greater than Top, the sound will not be modulated and only the Bottom value is available.

**[2] VCM TOUCH WAH**

No.	Parameter	Range	Value	Table No.
1	Sensitivity	0 – 127	(0 – 127)	
2	Bottom	0 – 127	(0 – 127)	
3	Top	0 – 127	(0 – 127)	
4	Resonance Offset	-12.0 – +12.0	(40 – 88)	
5	Direction	Up, Down	(0 – 1)	
6	Type	High, Mid, Low, Bass	(0 – 3)	
7	Overdrive	0.0dB – +40.0dB	(0 – 80)	
8	Output	-20.0dB – +10.0dB	(24 – 84)	
9	—			
10	—			
11	Attack Offset	-5 – +5	(59 – 69)	
12	—			
13	—			
14	—			
15	—			
16	—			

When the value of Bottom is greater than Top, the sound will not be modulated and only the Bottom value is available.

**[3] VCM PEDAL WAH**

No.	Parameter	Range	Value	Table No.
1	Pedal Control	0 – 127	(0 – 127)	
2	Bottom	0 – 127	(0 – 127)	
3	Top	0 – 127	(0 – 127)	
4	Resonance Offset	-12.0 – +12.0	(40 – 88)	
5	Direction	Up, Down	(0 – 1)	
6	Type	High, Mid, Low, Bass	(0 – 3)	
7	Overdrive	0.0dB – +40.0dB	(0 – 80)	
8	Output	-20.0dB – +10.0dB	(24 – 84)	
9	—			
10	—			
11	—			
12	—			
13	—			
14	—			
15	—			
16	—			

When the value of Bottom is greater than Top, the sound will not be modulated and only the Bottom value is available.

**Category — Lo-Fi****[1] NOISY**

No.	Parameter	Range	Value	Table No.
1	Mod Depth	0 – 10	(0 – 10)	
2	Mod Speed	0 – 127	(0 – 127)	
3	Mod Feedback	-63 – +63	(1 – 127)	
4	Mod Mix Balance	1 – 127	(1 – 127)	
5	Drive	0 – 127	(0 – 127)	
6	AM Speed	0.00Hz – 39.7Hz	(0 – 127)	1
7	AM Depth	0 – 127	(0 – 127)	
8	LPF Cutoff Frequency	1.0kHz – 20.0kHz	(34 – 60)	3
9	LPF Resonance	1.0 – 12.0	(10 – 120)	
10	Dry/Wet Balance	D63>W – D=W – D<W63	(1 – 127)	
11	EQ Frequency	100Hz – 10.0kHz	(14 – 54)	3
12	EQ Gain	-12dB – +12dB	(52 – 76)	
13	EQ Width	1.0 – 12.0	(10 – 120)	
14	—			
15	—			
16	—			

**[2] DIGITAL TURNTABLE**

No.	Parameter	Range	Value	Table No.
1	Click Density	0 – 5	(0 – 5)	
2	Click Level	0 – 127	(0 – 127)	
3	Noise Tone	0 – 6	(0 – 6)	
4	Noise Mod Speed	0.00Hz – 39.7Hz	(0 – 127)	1
5	Noise Mod Depth	0 – 127	(0 – 127)	
6	Dry Send to Noise	0 – 127	(0 – 127)	
7	Noise LPF Cutoff Frequency	1.0kHz – 20.0kHz	(34 – 60)	3
8	Noise LPF Q	1.0 – 12.0	(10 – 120)	
9	Noise Level	0 – 127	(0 – 127)	
10	—			
11	Dry Level	0 – 127	(0 – 127)	
12	Dry LPF Cutoff Frequency	1.0kHz – 20.0kHz	(34 – 60)	3
13	—			
14	—			
15	—			
16	—			

**Category — TEC****[1] RING MODULATOR**

No.	Parameter	Range	Value	Table No.
1	OSC Frequency Coarse	0.5Hz – 5kHz	(0 – 127)	14
2	OSC Frequency Fine	0 – 127	(0 – 127)	
3	LFO Wave	Triangle, Sine	(0 – 1)	
4	LFO Depth	0 – 127	(0 – 127)	
5	LFO Speed	0.0Hz – 39.70Hz	(0 – 127)	1
6	HPF Cutoff Frequency	20Hz – 8.0kHz	(0 – 52)	3
7	LPF Cutoff Frequency	1.0kHz – 20.0kHz	(34 – 60)	3
8	—			
9	—			
10	Dry/Wet Balance	D63>W – D=W – D<W63	(1 – 127)	
11	—			
12	—			

13 – 16: Same as the parameters shaded in gray in CROSS DELAY on page 33.

**[2] AUTO SYNTH**

No.	Parameter	Range	Value	Table No.
1	Mod Speed	0 – 127	(0 – 127)	
2	Mod Wave Type	Type A, Type B, Type C, Type D	(0 – 3)	
3	Mod Depth	0 – 127	(0 – 127)	
4	Mod Depth Ofst R	-63 – +63	(1 – 127)	
5	HPF Cutoff Frequency	20Hz – 8.0kHz	(0 – 52)	3
6	LPF Cutoff Frequency	1.0kHz – 20.0kHz	(34 – 60)	3
7	Delay Time	0.1ms – 370.0ms	(1 – 3700)	
8	Delay Time Ofst R	0 – 884	(0 – 884)	
9	Delay Level	0 – 127	(0 – 127)	
10	Dry Mix Level	0 – 127	(0 – 127)	
11	Feedback Level	-63 – +63	(1 – 127)	
12	FB Level Ofst R	-63 – +63	(1 – 127)	
13	AM Speed	0.00Hz – 39.7Hz	(0 – 127)	1
14	AM Wave	Triangle, Sine, Saw Up, Saw Down	(0 – 3)	
15	AM Depth	0 – 127	(0 – 127)	
16	AM Inverse R	Normal, Inverse	(0 – 1)	

**[3] ISOLATOR**

No.	Parameter	Range	Value	Table No.
1	On/off Switch	On, Off	(0 – 1)	
2	Low Level	-64 – +63	(0 – 127)	
3	Mid Level	-64 – +63	(0 – 127)	
4	High Level	-64 – +63	(0 – 127)	
5	Low Mute	Off, On	(0 – 1)	
6	Mid Mute	Off, On	(0 – 1)	
7	High Mute	Off, On	(0 – 1)	
8	—			
9	—			
10	—			
11	—			
12	—			
13	—			
14	—			
15	—			
16	—			

**[4] TECH MODULATION**

No.	Parameter	Range	Value	Table No.
1	Mod Speed	0 – 127	(0 – 127)	
2	Mod Depth	0 – 127	(0 – 127)	
3	Mod Gain	-12 – +12dB	(52 – 76)	
4	Mod Mix Balance	D63>W – D=W – D<W63	(1 – 127)	
5	Pre Mod HPF Cutoff Frequency	20Hz – 8.0kHz	(0 – 52)	3
6	Mod LPF Cutoff Frequency	1.0kHz – 20.0kHz	(34 – 60)	3
7	Mod LPF Resonance	1.0 – 12.0	(10 – 120)	
8	Delay Time	0.1 – 740.0ms	(1 – 7400)	
9	Delay Time Ofst R	0 – 884	(0 – 884)	
10	Dry/Wet Balance	D63>W – D=W – D<W63	(1 – 127)	
11	Feedback Level	-63 – +63	(1 – 127)	
12	FB Level Ofst R	-63 – +63	(1 – 127)	
13	Feedback High Damp	0.1 – 1.0	(1 – 10)	
14	FB Hi Damp Ofst R	-0.9 – +0.9	(1 – 19)	
15	—			
16	—			

## Category — MISC

## [1] VCM EQ 501

No.	Parameter	Range	Value	Table No.
1	EQ1 (LSH) Frequency	31.5Hz – 2.0kHz	(12 – 84)	25
2	EQ1 (LSH) Gain	-12.0dB – +12.0dB	(60 – 300)	
3	EQ2 Q	0.50 – 16.00	(0 – 60)	26
4	EQ2 Frequency	50.0 Hz – 20.0kHz	(20 – 124)	25
5	EQ2 Gain	-18.0dB – +18.0dB	(0 – 360)	
6	EQ3 Q	0.50 – 16.00	(0 – 60)	26
7	EQ3 Frequency	50.0 Hz – 20.0kHz	(20 – 124)	25
8	EQ3 Gain	-18.0dB – +18.0dB	(0 – 360)	
9	EQ4 Q	0.50 – 16.00	(0 – 60)	26
10	EQ4 Frequency	50.0 Hz – 20.0kHz	(20 – 124)	25
11	EQ4 Gain	-18.0dB – +18.0dB	(0 – 360)	
12	EQ5 (HSH) Frequency	500Hz – 20.0kHz	(60 – 124)	21
13	EQ5 (HSH) Gain	-12.0dB – +12.0dB	(60 – 300)	
14	Output Level	-12.0dB – +12.0dB	(60 – 300)	
15	—			
16	—			

## [2] HARMONIC ENHANCER

No.	Parameter	Range	Value	Table No.
1	HPF Cutoff Frequency	500Hz – 16.0kHz	(28 – 58)	3
2	Drive	0 – 127	(0 – 127)	
3	Mix Level	0 – 127	(0 – 127)	
4	—			
5	—			
6	—			
7	—			
8	—			
9	—			
10	—			
11	—			
12	—			
13	—			
14	—			
15	—			
16	—			

## [3] TALKING MODULATOR

No.	Parameter	Range	Value	Table No.
1	Vowel	a, i, u, e, o	(0 – 4)	
2	Move Speed	1 – 62	(1 – 62)	
3	Drive	0 – 127	(0 – 127)	
4	Output Level	0 – 127	(0 – 127)	
5	—			
6	—			
7	—			
8	—			
9	—			
10	—			
11	—			
12	—			
13	—			
14	—			
15	—			
16	—			

## [4] DAMPER RESONANCE

No.	Parameter	Range	Value	Table No.
1	HPF Cutoff Frequency	20Hz – 8.0kHz	(0 – 52)	3
2	LPF Cutoff Frequency	1.0kHz – 20.0kHz	(34 – 60)	3
3	EQ Low Frequency	32Hz – 2.0kHz	(4 – 40)	3
4	EQ Low Gain	-12 – +12dB	(52 – 76)	
5	High Damp	0.1 – 1.0	(1 – 10)	
6	Pedal Response	Slow, Normal, Fast	(0 – 2)	
7	—			
8	—			
9	—			
10	Dry/Wet Balance	D63>W – D=W – D<W63	(1 – 127)	
11	—			
12	—			
13	—			
14	—			
15	—			
16	Damper Control	0 – 127	(0 – 127)	

## [5] PITCH CHANGE

No.	Parameter	Range	Value	Table No.
1	Pitch 1	-24 – +24	(40 – 88)	
2	Fine 1	-50 – +50	(14 – 114)	
3	Initial Delay 1	0.1ms – 400.0ms	(0 – 127)	7
4	Feedback Level 1	-63 – +63	(1 – 127)	
5	Pitch 2	-24 – +24	(40 – 88)	
6	Fine 2	-50 – +50	(14 – 114)	
7	Initial Delay 2	0.1ms – 400.0ms	(0 – 127)	7
8	Feedback Level 2	-63 – +63	(1 – 127)	
9	—			
10	Dry/Wet Balance	D63>W – D=W – D<W63	(1 – 127)	
11	Pan 1	L63 – C – R63	(1 – 127)	
12	Output Level1	0 – 127	(0 – 127)	
13	Pan 2	L63 – C – R63	(1 – 127)	
14	Output Level2	0 – 127	(0 – 127)	
15	—			
16	—			

## [6] EARLY REFLECTION

No.	Parameter	Range	Value	Table No.
1	Type	S-hall, L-hall, Random, Reverse, Plate, Spring	(0 – 5)	
2	Room Size	0.1 – 20.0	(0 – 127)	6
3	Diffusion	0 – 10	(0 – 10)	
4	Initial Delay	0.1ms – 200.0ms	(0 – 127)	5
5	Feedback Level	-63 – +63	(1 – 127)	
6	HPF Cutoff Frequency	20Hz – 8.0kHz	(0 – 52)	3
7	LPF Cutoff Frequency	1.0kHz – 20.0kHz	(34 – 60)	3
8	—			
9	—			
10	Dry/Wet Balance	D63>W – D=W – D<W63	(1 – 127)	
11	Liveness	0 – 10	(0 – 10)	
12	Density	0 – 3	(0 – 3)	
13	Feedback High Damp	0.1 – 1.0	(1 – 10)	
14	—			
15	—			
16	—			

## [7] NOISE GATE + COMP + EQ

No.	Parameter	Range	Value	Table No.
1	Comp Attack	1ms – 40ms	(0 – 19)	8
2	Comp Release	10ms – 680ms	(0 – 15)	9
3	Comp Threshold	-48dB – -6dB	(79 – 121)	
4	Comp Ratio	1.0 – 20.0	(0 – 7)	10
5	Comp Output Level	0 – 127	(0 – 127)	
6 – 9	Same as the parameters shaded in gray in CROSS DELAY on page 33.			
10	—			
11	Noise Gate Attack	1ms – 40ms	(0 – 19)	
12	Noise Gate Release	10ms – 680ms	(0 – 15)	
13	Noise Gate Threshold	-73dB – -30dB	(54 – 97)	
14	EQ Mid Frequency	100Hz – 10.0kHz	(14 – 54)	3
15	EQ Mid Gain	-12dB – +12dB	(52 – 76)	
16	EQ Mid Width	0.1 – 12.0	(1 – 120)	

## Master EQ Block

[0] MEQ

No.	Parameter	Range	Value	Table No.
1	EQ Low Gain	-12dB – +12dB	(52 – 76)	
2	EQ Low Frequency	32Hz – 2.0kHz	(4 – 40)	3
3	EQ Low Q	0.1 – 12.0	(1 – 120)	
4	EQ Low Shape	Shelving, Peaking	(0 – 1)	
5	EQ LowMid Gain	-12dB – +12dB	(52 – 76)	
6	EQ LowMid Frequency	100Hz – 10kHz	(14 – 54)	3
7	EQ LowMid Q	0.1 – 12.0	(1 – 120)	
8	—			
9	EQ Mid Gain	-12dB – +12dB	(52 – 76)	
10	EQ Mid Frequency	100Hz – 10kHz	(14 – 54)	3
11	EQ Mid Q	0.1 – 12.0	(1 – 120)	
12	—			
13	EQ HiMid Gain	-12dB – +12dB	(52 – 76)	
14	EQ HiMid Frequency	100Hz – 10kHz	(14 – 54)	3
15	EQ HiMid Q	0.1 – 12.0	(1 – 120)	
16	—			
17	EQ High Gain	-12dB – +12dB	(52 – 76)	
18	EQ High Frequency	500Hz – 16kHz	(28 – 58)	3
19	EQ High Q	0.1 – 12.0	(1 – 120)	
20	EQ High Shape	Shelving, Peaking	(0 – 1)	

When the EQ Shape 1 is set to Peaking, the range of EQ Frequency 1 is 63Hz – 2.0kHz (10 – 40).



# Effect Data Assign Table

**Table #1**  
LFO Frequency

Data	Value	Data	Value
0	0.00	64	2.69
1	0.04	65	2.78
2	0.08	66	2.86
3	0.13	67	2.94
4	0.17	68	3.03
5	0.21	69	3.11
6	0.25	70	3.20
7	0.29	71	3.28
8	0.34	72	3.37
9	0.38	73	3.45
10	0.42	74	3.53
11	0.46	75	3.62
12	0.51	76	3.70
13	0.55	77	3.87
14	0.59	78	4.04
15	0.63	79	4.21
16	0.67	80	4.37
17	0.72	81	4.54
18	0.76	82	4.71
19	0.80	83	4.88
20	0.84	84	5.05
21	0.88	85	5.22
22	0.93	86	5.38
23	0.97	87	5.55
24	1.01	88	5.72
25	1.05	89	6.06
26	1.09	90	6.39
27	1.14	91	6.73
28	1.18	92	7.07
29	1.22	93	7.40
30	1.26	94	7.74
31	1.30	95	8.08
32	1.35	96	8.41
33	1.39	97	8.75
34	1.43	98	9.08
35	1.47	99	9.42
36	1.51	100	9.76
37	1.56	101	10.1
38	1.60	102	10.8
39	1.64	103	11.4
40	1.68	104	12.1
41	1.72	105	12.8
42	1.77	106	13.5
43	1.81	107	14.1
44	1.85	108	14.8
45	1.89	109	15.5
46	1.94	110	16.2
47	1.98	111	16.8
48	2.02	112	17.5
49	2.06	113	18.2
50	2.10	114	19.5
51	2.15	115	20.9
52	2.19	116	22.2
53	2.23	117	23.6
54	2.27	118	24.9
55	2.31	119	26.2
56	2.36	120	27.6
57	2.40	121	28.9
58	2.44	122	30.3
59	2.48	123	31.6
60	2.52	124	33.0
61	2.57	125	34.3
62	2.61	126	37.0
63	2.65	127	39.7

**Table #2**  
Modulation Delay Offset

Data	Value	Data	Value
0	0.0	64	6.4
1	0.1	65	6.5
2	0.2	66	6.6
3	0.3	67	6.7
4	0.4	68	6.8
5	0.5	69	6.9
6	0.6	70	7.0
7	0.7	71	7.1
8	0.8	72	7.2
9	0.9	73	7.3
10	1.0	74	7.4
11	1.1	75	7.5
12	1.2	76	7.6
13	1.3	77	7.7
14	1.4	78	7.8
15	1.5	79	7.9
16	1.6	80	8.0
17	1.7	81	8.1
18	1.8	82	8.2
19	1.9	83	8.3
20	2.0	84	8.4
21	2.1	85	8.5
22	2.2	86	8.6
23	2.3	87	8.7
24	2.4	88	8.8
25	2.5	89	8.9
26	2.6	90	9.0
27	2.7	91	9.1
28	2.8	92	9.2
29	2.9	93	9.3
30	3.0	94	9.4
31	3.1	95	9.5
32	3.2	96	9.6
33	3.3	97	9.7
34	3.4	98	9.8
35	3.5	99	9.9
36	3.6	100	10.0
37	3.7	101	11.1
38	3.8	102	12.2
39	3.9	103	13.3
40	4.0	104	14.4
41	4.1	105	15.5
42	4.2	106	17.1
43	4.3	107	18.6
44	4.4	108	20.2
45	4.5	109	21.8
46	4.6	110	23.3
47	4.7	111	24.9
48	4.8	112	26.5
49	4.9	113	28.0
50	5.0	114	29.6
51	5.1	115	31.2
52	5.2	116	32.8
53	5.3	117	34.3
54	5.4	118	35.9
55	5.5	119	37.5
56	5.6	120	39.0
57	5.7	121	40.6
58	5.8	122	42.2
59	5.9	123	43.7
60	6.0	124	45.3
61	6.1	125	46.9
62	6.2	126	48.4
63	6.3	127	50.0

**Table #3**  
EQ Frequency

Data	Value
0	THRU (20)
1	22
2	25
3	28
4	32
5	36
6	40
7	45
8	50
9	56
10	63
11	70
12	80
13	90
14	100
15	110
16	125
17	140
18	160
19	180
20	200
21	225
22	250
23	280
24	315
25	355
26	400
27	450
28	500
29	560
30	630
31	700
32	800
33	900
34	1.0k
35	1.1k
36	1.2k
37	1.4k
38	1.6k
39	1.8k
40	2.0k
41	2.2k
42	2.5k
43	2.8k
44	3.2k
45	3.6k
46	4.0k
47	4.5k
48	5.0k
49	5.6k
50	6.3k
51	7.0k
52	8.0k
53	9.0k
54	10.0k
55	11.0k
56	12.0k
57	14.0k
58	16.0k
59	18.0k
60	THRU(20.0k)

**Table #4**  
Reverb time

Data	Value	Data	Value
0	0.3	64	17.0
1	0.4	65	18.0
2	0.5	66	19.0
3	0.6	67	20.0
4	0.7	68	25.0
5	0.8	69	30.0
6	0.9		
7	1.0		
8	1.1		
9	1.2		
10	1.3		
11	1.4		
12	1.5		
13	1.6		
14	1.7		
15	1.8		
16	1.9		
17	2.0		
18	2.1		
19	2.2		
20	2.3		
21	2.4		
22	2.5		
23	2.6		
24	2.7		
25	2.8		
26	2.9		
27	3.0		
28	3.1		
29	3.2		
30	3.3		
31	3.4		
32	3.5		
33	3.6		
34	3.7		
35	3.8		
36	3.9		
37	4.0		
38	4.1		
39	4.2		
40	4.3		
41	4.4		
42	4.5		
43	4.6		
44	4.7		
45	4.8		
46	4.9		
47	5.0		
48	5.5		
49	6.0		
50	6.5		
51	7.0		
52	7.5		
53	8.0		
54	8.5		
55	9.0		
56	9.5		
57	10.0		
58	11.0		
59	12.0		
60	13.0		
61	14.0		
62	15.0		
63	16.0		

**Table #5**  
Delay Time (0.1 – 200.0 [ms])

Data	Value	Data	Value
0	0.1	64	100.8
1	1.7	65	102.4
2	3.2	66	104.0
3	4.8	67	105.6
4	6.4	68	107.1
5	8.0	69	108.7
6	9.5	70	110.3
7	11.1	71	111.9
8	12.7	72	113.4
9	14.3	73	115.0
10	15.8	74	116.6
11	17.4	75	118.2
12	19.0	76	119.7
13	20.6	77	121.3
14	22.1	78	122.9
15	23.7	79	124.4
16	25.3	80	126.0
17	26.9	81	127.6
18	28.4	82	129.2
19	30.0	83	130.7
20	31.6	84	132.3
21	33.2	85	133.9
22	34.7	86	135.5
23	36.3	87	137.0
24	37.9	88	138.6
25	39.5	89	140.2
26	41.0	90	141.8
27	42.6	91	143.3
28	44.2	92	144.9
29	45.7	93	146.5
30	47.3	94	148.1
31	48.9	95	149.6
32	50.5	96	151.2
33	52.0	97	152.8
34	53.6	98	154.4
35	55.2	99	155.9
36	56.8	100	157.5
37	58.3	101	159.1
38	59.9	102	160.6
39	61.5	103	162.2
40	63.1	104	163.8
41	64.6	105	165.4
42	66.2	106	166.9
43	67.8	107	168.5
44	69.4	108	170.1
45	70.9	109	171.7
46	72.5	110	173.2
47	74.1	111	174.8
48	75.7	112	176.4
49	77.2	113	178.0
50	78.8	114	179.5
51	80.4	115	181.1
52	81.9	116	182.7
53	83.5	117	184.3
54	85.1	118	185.8
55	86.7	119	187.4
56	88.2	120	189.0
57	89.8	121	190.6
58	91.4	122	192.1
59	93.0	123	193.7
60	94.5	124	195.3
61	96.1	125	196.9
62	97.7	126	198.4
63	99.3	127	200.0

**Table #6**  
Room Size

Data	Value	Data	Value
0	0.1	64	10.1
1	0.3	65	10.3
2	0.4	66	10.4
3	0.6	67	10.6
4	0.7	68	10.8
5	0.9	69	10.9
6	1.0	70	11.1
7	1.2	71	11.2
8	1.4	72	11.4
9	1.5	73	11.5
10	1.7	74	11.7
11	1.8	75	11.9
12	2.0	76	12.0
13	2.1	77	12.2
14	2.3	78	12.3
15	2.5	79	12.5
16	2.6	80	12.6
17	2.8	81	12.8
18	2.9	82	12.9
19	3.1	83	13.1
20	3.2	84	13.3
21	3.4	85	13.4
22	3.5	86	13.6
23	3.7	87	13.7
24	3.9	88	13.9
25	4.0	89	14.0
26	4.2	90	14.2
27	4.3	91	14.4
28	4.5	92	14.5
29	4.6	93	14.7
30	4.8	94	14.8
31	5.0	95	15.0
32	5.1	96	15.1
33	5.3	97	15.3
34	5.4	98	15.5
35	5.6	99	15.6
36	5.7	100	15.8
37	5.9	101	15.9
38	6.1	102	16.1
39	6.2	103	16.2
40	6.4	104	16.4
41	6.5	105	16.6
42	6.7	106	16.7
43	6.8	107	16.9
44	7.0	108	17.0
45	7.2	109	17.2
46	7.3	110	17.3
47	7.5	111	17.5
48	7.6	112	17.6
49	7.8	113	17.8
50	7.9	114	18.0
51	8.1	115	18.1
52	8.2	116	18.3
53	8.4	117	18.4
54	8.6	118	18.6
55	8.7	119	18.7
56	8.9	120	18.9
57	9.0	121	19.1
58	9.2	122	19.2
59	9.3	123	19.4
60	9.5	124	19.5
61	9.7	125	19.7
62	9.8	126	19.8
63	10.0	127	20.0

**Table #7**  
Delay Time (0.1 – 400.0 [ms])

Data	Value	Data	Value
0	0.1	64	201.6
1	3.2	65	204.8
2	6.4	66	207.9
3	9.5	67	211.1
4	12.7	68	214.2
5	15.8	69	217.4
6	19.0	70	220.5
7	22.1	71	223.7
8	25.3	72	226.8
9	28.4	73	230.0
10	31.6	74	233.1
11	34.7	75	236.3
12	37.9	76	239.4
13	41.0	77	242.6
14	44.2	78	245.7
15	47.3	79	248.9
16	50.5	80	252.0
17	53.6	81	255.2
18	56.8	82	258.3
19	59.9	83	261.5
20	63.1	84	264.6
21	66.2	85	267.7
22	69.4	86	270.9
23	72.5	87	274.0
24	75.7	88	277.2
25	78.8	89	280.3
26	82.0	90	283.5
27	85.1	91	286.6
28	88.3	92	289.8
29	91.4	93	292.9
30	94.6	94	296.1
31	97.7	95	299.2
32	100.9	96	302.4
33	104.0	97	305.5
34	107.2	98	308.7
35	110.3	99	311.8
36	113.5	100	315.0
37	116.6	101	318.1
38	119.8	102	321.3
39	122.9	103	324.4
40	126.1	104	327.6
41	129.2	105	330.7
42	132.4	106	333.9
43	135.5	107	337.0
44	138.6	108	340.2
45	141.8	109	343.3
46	144.9	110	346.5
47	148.1	111	349.6
48	151.2	112	352.8
49	154.4	113	355.9
50	157.5	114	359.1
51	160.7	115	362.2
52	163.8	116	365.4
53	167.0	117	368.5
54	170.1	118	371.7
55	173.3	119	374.8
56	176.4	120	378.0
57	179.6	121	381.1
58	182.7	122	384.3
59	185.9	123	387.4
60	189.0	124	390.6
61	192.2	125	393.7
62	195.3	126	396.9
63	198.5	127	400.0

**Table #8**  
Compressor Attack Time

Data	Value
0	1
1	2
2	3
3	4
4	5
5	6
6	7
7	8
8	9
9	10
10	12
11	14
12	16
13	18
14	20
15	23
16	26
17	30
18	35
19	40
20	50
21	60
22	70
23	80
24	100
25	120
26	140
27	160
28	180
29	200

**Table #9**  
Compressor Release Time

Data	Value
0	10
1	15
2	25
3	35
4	45
5	55
6	65
7	75
8	85
9	100
10	115
11	140
12	170
13	230
14	340
15	680
16	850
17	1000
18	1200
19	1500
20	1700
21	2000
22	2400
23	3000

**Table #10**  
Compressor Ratio

Data	Value
0	1.0
1	1.5
2	2.0
3	3.0
4	5.0
5	7.0
6	10.0
7	20.0

**Table #11**  
Reverb Width; Depth; Height

Data	Value	Data	Value
0	0.5	64	17.6
1	0.8	65	17.9
2	1.0	66	18.2
3	1.3	67	18.5
4	1.5	68	18.8
5	1.8	69	19.1
6	2.0	70	19.4
7	2.3	71	19.7
8	2.6	72	20.0
9	2.8	73	20.2
10	3.1	74	20.5
11	3.3	75	20.8
12	3.6	76	21.1
13	3.9	77	21.4
14	4.1	78	21.7
15	4.4	79	22.0
16	4.6	80	22.4
17	4.9	81	22.7
18	5.2	82	23.0
19	5.4	83	23.3
20	5.7	84	23.6
21	5.9	85	23.9
22	6.2	86	24.2
23	6.5	87	24.5
24	6.7	88	24.9
25	7.0	89	25.2
26	7.2	90	25.5
27	7.5	91	25.8
28	7.8	92	26.1
29	8.0	93	26.5
30	8.3	94	26.8
31	8.6	95	27.1
32	8.8	96	27.5
33	9.1	97	27.8
34	9.4	98	28.1
35	9.6	99	28.5
36	9.9	100	28.8
37	10.2	101	29.2
38	10.4	102	29.5
39	10.7	103	29.9
40	11.0	104	30.2
41	11.2		
42	11.5		
43	11.8		
44	12.1		
45	12.3		
46	12.6		
47	12.9		
48	13.1		
49	13.4		
50	13.7		
51	14.0		
52	14.2		
53	14.5		
54	14.8		
55	15.1		
56	15.4		
57	15.6		
58	15.9		
59	16.2		
60	16.5		
61	16.8		
62	17.1		
63	17.3		

**Table #12**  
Tempo

Data	Value
0	32nd/3
1	64th.
2	32nd
3	16th/3
4	32nd.
5	16th
6	8th/3
7	16th.
8	8th
9	4th/3
10	8th.
11	4th
12	2nd/3
13	4th.
14	2nd
15	Whole/3
16	2nd.
17	4thX4
18	4thX5
19	4thX6
20	4thX7
21	4thX8
22	4thX9
23	4thX10
24	4thX11
25	4thX12
26	4thX13
27	4thX14
28	4thX15
29	4thX16

**Table #13**  
Multi Compressor  
Gain (dB)

Data	Value
0	-∞
1	-60
2	-57
3	-54
4	-51
5	-48
6	-45
7	-42
8	-39
9	-36
10	-33
11	-30
12	-27
13	-24
14	-23
15	-22
16	-21
17	-20
18	-19
19	-18
20	-17
21	-16
22	-15
23	-14
24	-13
25	-12
26	-11
27	-10
28	-9
29	-8
30	-7
31	-6
32	-5
33	-4
34	-3
35	-2
36	-1
37	0
38	1
39	2
40	3
41	4
42	5
43	6
44	7
45	8
46	9
47	10
48	11
49	12
50	13
51	14
52	15
53	16
54	17
55	18

**Table #14**  
Ring Mod OSC Freq Coarse (Hz)

Data	Value	Data	Value
0	0.5	64	151
1	1.5	65	160
2	2.0	66	169
3	2.5	67	179
4	3.5	68	189
5	4.0	69	200
6	4.5	70	211
7	5.5	71	223
8	6.0	72	236
9	6.5	73	249
10	7.5	74	264
11	8.0	75	279
12	8.4	76	295
13	8.9	77	311
14	9.4	78	329
15	9.9	79	348
16	10.5	80	368
17	11.1	81	389
18	11.7	82	411
19	12.4	83	435
20	13.1	84	459
21	13.9	85	486
22	14.7	86	513
23	15.5	87	543
24	16.4	88	574
25	17.3	89	607
26	18.3	90	641
27	19.4	91	678
28	20.5	92	717
29	21.7	93	757
30	22.9	94	801
31	24.2	95	846
32	25.6	96	895
33	27.1	97	946
34	28.6	98	1.00k
35	30.3	99	1.05k
36	32.0	100	1.11k
37	33.8	101	1.18k
38	35.8	102	1.24k
39	37.8	103	1.32k
40	40.0	104	1.39k
41	42.2	105	1.47k
42	44.7	106	1.55k
43	47.2	107	1.64k
44	49.9	108	1.74k
45	52.7	109	1.84k
46	55.8	110	1.94k
47	58.9	111	2.05k
48	62.3	112	2.17k
49	65.9	113	2.29k
50	69.6	114	2.43k
51	73.6	115	2.56k
52	77.8	116	2.71k
53	82.3	117	2.87k
54	87.0	118	3.03k
55	91.9	119	3.20k
56	97.2	120	3.39k
57	102	121	3.58k
58	108	122	3.79k
59	114	123	4.00k
60	121	124	4.23k
61	128	125	4.47k
62	135	126	4.73k
63	143	127	5.00k

**Table #15**  
Classic Flanger Delay Offset

Data	Value	Data	Value	Data	Value
0	0.09	64	4.72	128	31.38
1	0.11	65	4.96	129	31.82
2	0.13	66	5.21	130	32.25
3	0.15	67	5.47	131	32.69
4	0.18	68	5.75	132	33.13
5	0.20	69	6.04	133	33.57
6	0.22	70	6.35	134	34.01
7	0.24	71	6.67	135	34.45
8	0.27	72	7.01	136	34.89
9	0.29	73	7.37	137	35.33
10	0.31	74	7.74	138	35.77
11	0.34	75	8.13	139	36.21
12	0.36	76	8.54		
13	0.38	77	8.97		
14	0.40	78	9.41		
15	0.42	79	9.85		
16	0.43	80	10.29		
17	0.46	81	10.73		
18	0.48	82	11.17		
19	0.51	83	11.61		
20	0.53	84	12.05		
21	0.56	85	12.49		
22	0.59	86	12.93		
23	0.62	87	13.37		
24	0.65	88	13.81		
25	0.68	89	14.24		
26	0.72	90	14.68		
27	0.76	91	15.12		
28	0.79	92	15.56		
29	0.83	93	16.00		
30	0.88	94	16.44		
31	0.92	95	16.88		
32	0.97	96	17.32		
33	1.02	97	17.76		
34	1.07	98	18.20		
35	1.12	99	18.64		
36	1.18	100	19.08		
37	1.24	101	19.52		
38	1.30	102	19.96		
39	1.37	103	20.40		
40	1.44	104	20.83		
41	1.51	105	21.27		
42	1.59	106	21.71		
43	1.67	107	22.15		
44	1.76	108	22.59		
45	1.84	109	23.03		
46	1.94	110	23.47		
47	2.04	111	23.91		
48	2.14	112	24.35		
49	2.25	113	24.79		
50	2.36	114	25.23		
51	2.48	115	25.66		
52	2.61	116	26.10		
53	2.74	117	26.54		
54	2.88	118	26.98		
55	3.03	119	27.42		
56	3.18	120	27.86		
57	3.34	121	28.30		
58	3.51	122	28.74		
59	3.69	123	29.18		
60	3.87	124	29.62		
61	4.07	125	30.06		
62	4.28	126	30.50		
63	4.49	127	30.94		

**Table #16**  
Modulation Phase

Data	Value
0	-180
1	-158
2	-135
3	-113
4	-90
5	-68
6	-45
7	-23
8	0
9	23
10	45
11	68
12	90
13	113
14	135
15	158
16	180

**Table #17**  
VCM Flanger Speed

Data	Value	Data	Value	Data	Value	Data	Value
0	0.040	64	0.247	128	0.988	192	3.953
1	0.042	65	0.252	129	1.009	193	4.037
2	0.045	66	0.258	130	1.030	194	4.122
3	0.047	67	0.263	131	1.051	195	4.206
4	0.050	68	0.268	132	1.072	196	4.290
5	0.053	69	0.273	133	1.093	197	4.374
6	0.055	70	0.281	134	1.125	198	4.500
7	0.058	71	0.287	135	1.146	199	4.584
8	0.060	72	0.292	136	1.167	200	4.668
9	0.063	73	0.300	137	1.199	201	4.752
10	0.066	74	0.308	138	1.220	202	4.879
11	0.068	75	0.313	139	1.251	203	5.005
12	0.071	76	0.321	140	1.272	204	5.131
13	0.074	77	0.326	141	1.304	205	5.215
14	0.076	78	0.334	142	1.335	206	5.341
15	0.079	79	0.342	143	1.367	207	5.467
16	0.081	80	0.347	144	1.409	208	5.552
17	0.084	81	0.357	145	1.430	209	5.720
18	0.087	82	0.363	146	1.451	210	5.804
19	0.089	83	0.373	147	1.493	211	5.972
20	0.092	84	0.379	148	1.514	212	6.056
21	0.095	85	0.389	149	1.556	213	6.224
22	0.097	86	0.400	150	1.577	214	6.309
23	0.100	87	0.405	151	1.619	215	6.477
24	0.102	88	0.415	152	1.661	216	6.645
25	0.105	89	0.426	153	1.682	217	6.813
26	0.108	90	0.431	154	1.724	218	6.897
27	0.110	91	0.442	155	1.766	219	7.066
28	0.113	92	0.452	156	1.808	220	7.234
29	0.116	93	0.463	157	1.851	221	7.402
30	0.118	94	0.473	158	1.893	222	7.570
31	0.121	95	0.484	159	1.935	223	7.738
32	0.124	96	0.494	160	1.977	224	7.907
33	0.126	97	0.505	161	2.019	225	8.075
34	0.129	98	0.515	162	2.061	226	8.243
35	0.131	99	0.526	163	2.103	227	8.411
36	0.134	100	0.536	164	2.145	228	8.580
37	0.137	101	0.547	165	2.187	229	8.748
38	0.139	102	0.563	166	2.250	230	9.000
39	0.145	103	0.573	167	2.292	231	9.168
40	0.147	104	0.589	168	2.334	232	9.337
41	0.150	105	0.599	169	2.397	233	9.589
42	0.152	106	0.615	170	2.460	234	9.757
43	0.158	107	0.626	171	2.502	235	10.00
44	0.160	108	0.636	172	2.565		
45	0.163	109	0.652	173	2.608		
46	0.168	110	0.668	174	2.671		
47	0.171	111	0.683	175	2.733		
48	0.173	112	0.704	176	2.776		
49	0.179	113	0.715	177	2.860		
50	0.181	114	0.725	178	2.902		
51	0.187	115	0.747	179	2.986		
52	0.189	116	0.757	180	3.028		
53	0.195	117	0.778	181	3.112		
54	0.197	118	0.789	182	3.154		
55	0.202	119	0.810	183	3.238		
56	0.208	120	0.831	184	3.323		
57	0.210	121	0.852	185	3.365		
58	0.216	122	0.862	186	3.449		
59	0.221	123	0.883	187	3.533		
60	0.226	124	0.904	188	3.617		
61	0.231	125	0.925	189	3.701		
62	0.237	126	0.946	190	3.785		
63	0.242	127	0.967	191	3.869		

**Table #18**  
**VCM Phaser Speed**

Data	Value	Data	Value	Data	Value	Data	Value
0	0.100	64	0.334	128	1.062	192	3.365
1	0.103	65	0.342	129	1.083	193	3.449
2	0.105	66	0.347	130	1.104	194	3.491
3	0.108	67	0.357	131	1.125	195	3.575
4	0.110	68	0.363	132	1.146	196	3.659
5	0.113	69	0.368	133	1.167	197	3.701
6	0.116	70	0.373	134	1.188	198	3.785
7	0.118	71	0.379	135	1.209	199	3.827
8	0.121	72	0.389	136	1.230	200	3.911
9	0.124	73	0.394	137	1.251	201	3.995
10	0.126	74	0.400	138	1.272	202	4.080
11	0.129	75	0.410	139	1.304	203	4.122
12	0.131	76	0.415	140	1.325	204	4.206
13	0.134	77	0.426	141	1.346	205	4.290
14	0.137	78	0.431	142	1.367	206	4.374
15	0.139	79	0.442	143	1.410	207	4.458
16	0.142	80	0.447	144	1.430	208	4.500
17	0.145	81	0.457	145	1.451	209	4.584
18	0.147	82	0.463	146	1.472	210	4.668
19	0.150	83	0.473	147	1.493	211	4.752
20	0.152	84	0.478	148	1.535	212	4.837
21	0.155	85	0.489	149	1.556	213	4.921
22	0.158	86	0.499	150	1.577	214	5.047
23	0.160	87	0.510	151	1.619	215	5.131
24	0.163	88	0.515	152	1.640	216	5.215
25	0.166	89	0.526	153	1.682	217	5.299
26	0.168	90	0.536	154	1.703	218	5.383
27	0.171	91	0.547	155	1.724	219	5.551
28	0.173	92	0.557	156	1.767	220	5.636
29	0.179	93	0.568	157	1.808	221	5.720
30	0.181	94	0.578	158	1.829	222	5.804
31	0.184	95	0.589	159	1.872	223	5.888
32	0.187	96	0.599	160	1.893	224	6.056
33	0.192	97	0.610	161	1.935	225	6.140
34	0.195	98	0.620	162	1.977	226	6.224
35	0.200	99	0.631	163	2.000	227	6.393
36	0.202	100	0.641	164	2.040	228	6.477
37	0.205	101	0.652	165	2.082	229	6.561
38	0.210	102	0.668	166	2.124	230	6.729
39	0.213	103	0.683	167	2.145	231	6.813
40	0.218	104	0.694	168	2.187	232	6.981
41	0.221	105	0.704	169	2.229	233	7.066
42	0.226	106	0.715	170	2.271	234	7.234
43	0.229	107	0.725	171	2.313	235	7.318
44	0.234	108	0.747	172	2.355	236	7.486
45	0.237	109	0.758	173	2.397	237	7.654
46	0.242	110	0.768	174	2.439	238	7.774
47	0.247	111	0.789	175	2.503	239	7.907
48	0.250	112	0.799	176	2.544	240	8.075
49	0.255	113	0.810	177	2.587	241	8.159
50	0.260	114	0.831	178	2.629	242	8.327
51	0.265	115	0.841	179	2.671	243	8.496
52	0.271	116	0.862	180	2.734	244	8.664
53	0.276	117	0.873	181	2.776	245	8.832
54	0.281	118	0.894	182	2.860	246	9.000
55	0.287	119	0.904	183	2.902	247	9.168
56	0.289	120	0.925	184	2.944	248	9.337
57	0.294	121	0.936	185	2.986	249	9.505
58	0.300	122	0.957	186	3.028	250	9.673
59	0.308	123	0.967	187	3.070	251	9.841
60	0.310	124	0.988	188	3.154	252	10.00
61	0.318	125	1.000	189	3.196		
62	0.323	126	1.030	190	3.280		
63	0.329	127	1.051	191	3.323		

**Table #19**  
**VCM Wah Speed**

Data	Value	Data	Value	Data	Value	Data	Value
0	0.100	64	0.384	128	1.451	192	5.552
1	0.103	65	0.394	129	1.493	193	5.636
2	0.105	66	0.405	130	1.514	194	5.720
3	0.108	67	0.410	131	1.556	195	5.888
4	0.110	68	0.421	132	1.598	196	5.972
5	0.113	69	0.426	133	1.619	197	6.140
6	0.116	70	0.436	134	1.661	198	6.224
7	0.118	71	0.447	135	1.703	199	6.393
8	0.121	72	0.457	136	1.724	200	6.477
9	0.124	73	0.463	137	1.766	201	6.665
10	0.126	74	0.473	138	1.808	202	6.813
11	0.129	75	0.484	139	1.851	203	6.897
12	0.131	76	0.494	140	1.872	204	7.066
13	0.134	77	0.505	141	1.914	205	7.234
14	0.137	78	0.515	142	1.956	206	7.402
15	0.139	79	0.526	143	1.999	207	7.570
16	0.142	80	0.536	144	2.040	208	7.654
17	0.145	81	0.547	145	2.082	209	7.823
18	0.147	82	0.563	146	2.124	210	7.991
19	0.152	83	0.573	147	2.166	211	8.159
20	0.155	84	0.584	148	2.229	212	8.327
21	0.157	85	0.599	149	2.250	213	8.496
22	0.163	86	0.610	150	2.313	214	8.748
23	0.166	87	0.620	151	2.355	215	8.916
24	0.168	88	0.636	152	2.397	216	9.084
25	0.173	89	0.652	153	2.460	217	9.253
26	0.176	90	0.662	154	2.502	218	9.505
27	0.179	91	0.673	155	2.566	219	9.673
28	0.184	92	0.694	156	2.608	220	9.841
29	0.187	93	0.704	157	2.671	221	10.09
30	0.189	94	0.725	158	2.734	222	10.26
31	0.195	95	0.736	159	2.776	223	10.51
32	0.200	96	0.747	160	2.818	224	10.77
33	0.202	97	0.768	161	2.902	225	10.93
34	0.208	98	0.778	162	2.944	226	11.10
35	0.210	99	0.799	163	3.028	227	11.44
36	0.216	100	0.820	164	3.070	228	11.61
37	0.221	101	0.831	165	3.154	229	11.94
38	0.226	102	0.852	166	3.196	230	12.11
39	0.231	103	0.873	167	3.280	231	12.45
40	0.234	104	0.883	168	3.336	232	12.62
41	0.239	105	0.904	169	3.407	233	12.95
42	0.244	106	0.935	170	3.491	234	13.29
43	0.250	107	0.946	171	3.575	235	13.46
44	0.255	108	0.967	172	3.659	236	13.79
45	0.260	109	0.988	173	3.701	237	13.96
46	0.265	110	0.999	174	3.785	238	14.30
47	0.271	111	1.020	175	3.869	239	14.64
48	0.276	112	1.051	176	3.953	240	14.97
49	0.284	113	1.072	177	4.037	241	15.31
50	0.289	114	1.093	178	4.122	242	15.65
51	0.294	115	1.115	179	4.206	243	15.98
52	0.302	116	1.136	180	4.290	244	16.32
53	0.308	117	1.157	181	4.374	245	16.65
54	0.315	118	1.188	182	4.500	246	16.99
55	0.321	119	1.209	183	4.584	247	17.33
56	0.326	120	1.241	184	4.668	248	17.66
57	0.334	121	1.262	185	4.795	249	18.00
58	0.342	122	1.293	186	4.879	250	18.34
59	0.347	123	1.314	187	4.963	251	18.84
60	0.357	124	1.346	188	5.090	252	19.18
61	0.363	125	1.367	189	5.173	253	19.51
62	0.368	126	1.409	190	5.299	254	20.00
63	0.379	127	1.430	191	5.383		

**Table #20**  
Rev Hall Time

Data	Value	Data	Value
0	0.3	64	13.5
1	0.4	65	14.0
2	0.5	66	15.0
3	0.6	67	16.0
4	0.7	68	17.0
5	0.8	69	18.0
6	0.9		
7	1.0		
8	1.1		
9	1.2		
10	1.3		
11	1.4		
12	1.5		
13	1.6		
14	1.7		
15	1.8		
16	1.9		
17	2.0		
18	2.1		
19	2.2		
20	2.3		
21	2.4		
22	2.5		
23	2.6		
24	2.7		
25	2.8		
26	2.9		
27	3.0		
28	3.1		
29	3.2		
30	3.3		
31	3.4		
32	3.5		
33	3.6		
34	3.7		
35	3.8		
36	3.9		
37	4.0		
38	4.1		
39	4.2		
40	4.3		
41	4.4		
42	4.5		
43	4.6		
44	4.7		
45	4.8		
46	4.9		
47	5.0		
48	5.5		
49	6.0		
50	6.5		
51	7.0		
52	7.5		
53	8.0		
54	8.5		
55	9.0		
56	9.5		
57	10.0		
58	10.5		
59	11.0		
60	11.5		
61	12.0		
62	12.5		
63	13.0		

**Table #21**  
Rev Room Time

Data	Value	Data	Value
0	0.3	64	6.7
1	0.4	65	6.8
2	0.5	66	6.9
3	0.6	67	7.0
4	0.7	68	8.0
5	0.8	69	10.0
6	0.9		
7	1.0		
8	1.1		
9	1.2		
10	1.3		
11	1.4		
12	1.5		
13	1.6		
14	1.7		
15	1.8		
16	1.9		
17	2.0		
18	2.1		
19	2.2		
20	2.3		
21	2.4		
22	2.5		
23	2.6		
24	2.7		
25	2.8		
26	2.9		
27	3.0		
28	3.1		
29	3.2		
30	3.3		
31	3.4		
32	3.5		
33	3.6		
34	3.7		
35	3.8		
36	3.9		
37	4.0		
38	4.1		
39	4.2		
40	4.3		
41	4.4		
42	4.5		
43	4.6		
44	4.7		
45	4.8		
46	4.9		
47	5.0		
48	5.1		
49	5.2		
50	5.3		
51	5.4		
52	5.5		
53	5.6		
54	5.7		
55	5.8		
56	5.9		
57	6.0		
58	6.1		
59	6.2		
60	6.3		
61	6.4		
62	6.5		
63	6.6		

**Table #22**  
VCM Comp Level

Data	Value	Data	Value	Data	Value	Data	Value
0	--dB	64	-29.69dB	128	-11.63dB	192	-1.06dB
1	-138.0dB	65	-29.29dB	129	-11.43dB	193	-0.93dB
2	-120.0dB	66	-28.89dB	130	-11.23dB	194	-0.79dB
3	-109.4dB	67	-28.50dB	131	-11.03dB	195	-0.66dB
4	-101.9dB	68	-28.11dB	132	-10.83dB	196	-0.53dB
5	-96.12dB	69	-27.73dB	133	-10.63dB	197	-0.39dB
6	-91.37dB	70	-27.36dB	134	-10.44dB	198	-0.26dB
7	-87.36dB	71	-26.99dB	135	-10.24dB	199	-0.13dB
8	-83.88dB	72	-26.62dB	136	-10.05dB	200	0.00dB
9	-80.81dB	73	-26.26dB	137	-9.86dB		
10	-78.06dB	74	-25.91dB	138	-9.67dB		
11	-75.58dB	75	-25.56dB	139	-9.48dB		
12	-73.31dB	76	-25.21dB	140	-9.29dB		
13	-71.23dB	77	-24.87dB	141	-9.11dB		
14	-69.29dB	78	-24.54dB	142	-8.92dB		
15	-67.50dB	79	-24.20dB	143	-8.74dB		
16	-65.81dB	80	-23.88dB	144	-8.56dB		
17	-64.23dB	81	-23.55dB	145	-8.38dB		
18	-62.75dB	82	-23.23dB	146	-8.20dB		
19	-61.34dB	83	-22.92dB	147	-8.02dB		
20	-60.00dB	84	-22.61dB	148	-7.85dB		
21	-58.73dB	85	-22.30dB	149	-7.67dB		
22	-57.52dB	86	-21.99dB	150	-7.50dB		
23	-56.36dB	87	-21.69dB	151	-7.32dB		
24	-55.25dB	88	-21.39dB	152	-7.15dB		
25	-54.19dB	89	-21.10dB	153	-6.98dB		
26	-53.16dB	90	-20.81dB	154	-6.81dB		
27	-52.18dB	91	-20.52dB	155	-6.64dB		
28	-51.23dB	92	-20.23dB	156	-6.47dB		
29	-50.32dB	93	-19.95dB	157	-6.31dB		
30	-49.43dB	94	-19.67dB	158	-6.14dB		
31	-48.58dB	95	-19.40dB	159	-5.98dB		
32	-47.75dB	96	-19.13dB	160	-5.81dB		
33	-46.95dB	97	-18.86dB	161	-5.65dB		
34	-46.17dB	98	-18.59dB	162	-5.49dB		
35	-45.42dB	99	-18.32dB	163	-5.33dB		
36	-44.68dB	100	-18.06dB	164	-5.17dB		
37	-43.97dB	101	-17.80dB	165	-5.01dB		
38	-43.27dB	102	-17.55dB	166	-4.86dB		
39	-42.60dB	103	-17.29dB	167	-4.70dB		
40	-41.94dB	104	-17.04dB	168	-4.54dB		
41	-41.29dB	105	-16.79dB	169	-4.39dB		
42	-40.67dB	106	-16.54dB	170	-4.23dB		
43	-40.05dB	107	-16.30dB	171	-4.08dB		
44	-39.45dB	108	-16.06dB	172	-3.93dB		
45	-38.87dB	109	-15.82dB	173	-3.78dB		
46	-38.30dB	110	-15.58dB	174	-3.63dB		
47	-37.74dB	111	-15.34dB	175	-3.48dB		
48	-37.19dB	112	-15.11dB	176	-3.33dB		
49	-36.65dB	113	-14.88dB	177	-3.18dB		
50	-36.12dB	114	-14.65dB	178	-3.04dB		
51	-35.61dB	115	-14.42dB	179	-2.89dB		
52	-35.10dB	116	-14.19dB	180	-2.75dB		
53	-34.61dB	117	-13.97dB	181	-2.60dB		
54	-34.12dB	118	-13.75dB	182	-2.46dB		
55	-33.64dB	119	-13.53dB	183	-2.31dB		
56	-33.17dB	120	-13.31dB	184	-2.17dB		
57	-32.71dB	121	-13.09dB	185	-2.03dB		
58	-32.26dB	122	-12.88dB	186	-1.89dB		
59	-31.81dB	123	-12.67dB	187	-1.75dB		
60	-31.37dB	124	-12.46dB	188	-1.61dB		
61	-30.94dB	125	-12.25dB	189	-1.47dB		
62	-30.52dB	126	-12.04dB	190	-1.34dB		
63	-30.10dB	127	-11.83dB	191	-1.20dB		

**Table #23**  
VCM Comp Attack Time

Data	Value	Data	Value	Data	Value	Data	Value
0	0.022ms	64	2.941ms	128	16.53ms	192	45.51ms
1	0.023ms	65	3.056ms	129	16.86ms	193	46.10ms
2	0.024ms	66	3.174ms	130	17.18ms	194	46.70ms
3	0.025ms	67	3.295ms	131	17.52ms	195	47.31ms
4	0.026ms	68	3.418ms	132	17.85ms	196	47.91ms
5	0.028ms	69	3.544ms	133	18.19ms	197	48.53ms
6	0.031ms	70	3.673ms	134	18.53ms	198	49.15ms
7	0.035ms	71	3.805ms	135	18.88ms	199	49.77ms
8	0.039ms	72	3.940ms	136	19.23ms	200	50.40ms
9	0.045ms	73	4.077ms	137	19.59ms		
10	0.051ms	74	4.217ms	138	19.95ms		
11	0.059ms	75	4.361ms	139	20.31ms		
12	0.068ms	76	4.507ms	140	20.68ms		
13	0.077ms	77	4.656ms	141	21.05ms		
14	0.088ms	78	4.807ms	142	21.42ms		
15	0.101ms	79	4.962ms	143	21.80ms		
16	0.114ms	80	5.120ms	144	22.18ms		
17	0.129ms	81	5.281ms	145	22.57ms		
18	0.146ms	82	5.445ms	146	22.96ms		
19	0.163ms	83	5.611ms	147	23.36ms		
20	0.182ms	84	5.781ms	148	23.75ms		
21	0.203ms	85	5.954ms	149	24.16ms		
22	0.225ms	86	6.130ms	150	24.56ms		
23	0.249ms	87	6.309ms	151	24.97ms		
24	0.274ms	88	6.491ms	152	25.39ms		
25	0.301ms	89	6.677ms	153	25.81ms		
26	0.330ms	90	6.865ms	154	26.23ms		
27	0.360ms	91	7.057ms	155	26.66ms		
28	0.393ms	92	7.252ms	156	27.09ms		
29	0.426ms	93	7.450ms	157	27.53ms		
30	0.462ms	94	7.651ms	158	27.97ms		
31	0.500ms	95	7.855ms	159	28.41ms		
32	0.539ms	96	8.063ms	160	28.86ms		
33	0.580ms	97	8.274ms	161	29.31ms		
34	0.623ms	98	8.489ms	162	29.77ms		
35	0.668ms	99	8.706ms	163	30.23ms		
36	0.716ms	100	8.927ms	164	30.70ms		
37	0.765ms	101	9.151ms	165	31.17ms		
38	0.816ms	102	9.379ms	166	31.64ms		
39	0.869ms	103	9.610ms	167	32.12ms		
40	0.924ms	104	9.844ms	168	32.60ms		
41	0.982ms	105	10.09ms	169	33.09ms		
42	1.041ms	106	10.33ms	170	33.58ms		
43	1.103ms	107	10.57ms	171	34.07ms		
44	1.167ms	108	10.82ms	172	34.57ms		
45	1.233ms	109	11.07ms	173	35.08ms		
46	1.301ms	110	11.33ms	174	35.59ms		
47	1.372ms	111	11.59ms	175	36.10ms		
48	1.444ms	112	11.85ms	176	36.62ms		
49	1.520ms	113	12.11ms	177	37.14ms		
50	1.597ms	114	12.38ms	178	37.67ms		
51	1.677ms	115	12.66ms	179	38.20ms		
52	1.759ms	116	12.93ms	180	38.73ms		
53	1.844ms	117	13.21ms	181	39.27ms		
54	1.931ms	118	13.50ms	182	39.82ms		
55	2.021ms	119	13.78ms	183	40.36ms		
56	2.113ms	120	14.07ms	184	40.92ms		
57	2.207ms	121	14.37ms	185	41.48ms		
58	2.304ms	122	14.67ms	186	42.04ms		
59	2.404ms	123	14.97ms	187	42.61ms		
60	2.506ms	124	15.27ms	188	43.18ms		
61	2.611ms	125	15.58ms	189	43.75ms		
62	2.718ms	126	15.90ms	190	44.33ms		
63	2.828ms	127	16.21ms	191	44.92ms		

**Table #24**  
VCM Comp Release Time

Data	Value	Data	Value	Data	Value	Data	Value
0	10.88ms	64	65.50ms	128	229.34ms	192	502.40ms
1	10.90ms	65	67.22ms	129	232.76ms	193	507.54ms
2	10.94ms	66	68.96ms	130	236.22ms	194	512.70ms
3	11.00ms	67	70.74ms	131	239.70ms	195	517.88ms
4	11.10ms	68	72.54ms	132	243.20ms	196	523.10ms
5	11.22ms	69	74.36ms	133	246.74ms	197	528.34ms
6	11.36ms	70	76.22ms	134	250.30ms	198	533.60ms
7	11.54ms	71	78.10ms	135	253.88ms	199	538.90ms
8	11.74ms	72	80.00ms	136	257.50ms	200	544.22ms
9	11.96ms	73	81.94ms	137	261.14ms		
10	12.22ms	74	83.90ms	138	264.80ms		
11	12.50ms	75	85.88ms	139	268.50ms		
12	12.80ms	76	87.90ms	140	272.22ms		
13	13.14ms	77	89.94ms	141	275.96ms		
14	13.50ms	78	92.00ms	142	279.74ms		
15	13.88ms	79	94.10ms	143	283.54ms		
16	14.30ms	80	96.22ms	144	287.36ms		
17	14.74ms	81	98.36ms	145	291.22ms		
18	15.20ms	82	100.54ms	146	295.10ms		
19	15.70ms	83	102.74ms	147	299.00ms		
20	16.22ms	84	104.96ms	148	302.94ms		
21	16.76ms	85	107.22ms	149	306.90ms		
22	17.34ms	86	109.50ms	150	310.88ms		
23	17.94ms	87	111.80ms	151	314.90ms		
24	18.56ms	88	114.14ms	152	318.94ms		
25	19.22ms	89	116.50ms	153	323.00ms		
26	19.90ms	90	118.88ms	154	327.10ms		
27	20.60ms	91	121.30ms	155	331.22ms		
28	21.34ms	92	123.74ms	156	335.36ms		
29	22.10ms	93	126.20ms	157	339.54ms		
30	22.88ms	94	128.70ms	158	343.74ms		
31	23.70ms	95	131.22ms	159	347.96ms		
32	24.54ms	96	133.76ms	160	352.22ms		
33	25.40ms	97	136.34ms	161	356.50ms		
34	26.30ms	98	138.94ms	162	360.80ms		
35	27.22ms	99	141.56ms	163	365.14ms		
36	28.16ms	100	144.22ms	164	369.50ms		
37	29.14ms	101	146.90ms	165	373.88ms		
38	30.14ms	102	149.60ms	166	378.30ms		
39	31.16ms	103	152.34ms	167	382.74ms		
40	32.22ms	104	155.10ms	168	387.20ms		
41	33.30ms	105	157.88ms	169	391.70ms		
42	34.40ms	106	160.70ms	170	396.22ms		
43	35.54ms	107	163.54ms	171	400.76ms		
44	36.70ms	108	166.40ms	172	405.34ms		
45	37.88ms	109	169.30ms	173	409.94ms		
46	39.10ms	110	172.22ms	174	414.56ms		
47	40.34ms	111	175.16ms	175	419.22ms		
48	41.60ms	112	178.14ms	176	423.90ms		
49	42.90ms	113	181.14ms	177	428.60ms		
50	44.22ms	114	184.16ms	178	433.34ms		
51	45.56ms	115	187.22ms	179	438.10ms		
52	46.94ms	116	190.30ms	180	442.88ms		
53	48.34ms	117	193.40ms	181	447.70ms		
54	49.76ms	118	196.54ms	182	452.54ms		
55	51.22ms	119	199.70ms	183	457.40ms		
56	52.70ms	120	202.88ms	184	462.30ms		
57	54.20ms	121	206.10ms	185	467.22ms		
58	55.74ms	122	209.34ms	186	472.16ms		
59	57.30ms	123	212.60ms	187	477.14ms		
60	58.88ms	124	215.90ms	188	482.14ms		
61	60.50ms	125	219.22ms	189	487.16ms		
62	62.14ms	126	222.56ms	190	492.22ms		
63	63.80ms	127	225.94ms	191	497.30ms		

**Table #25**  
VCM EQ Frequency

Data	Value	Data	Value	Data	Value
0	16.0Hz	64	630Hz	128	25.0kHz
1	17.0Hz	65	670Hz	129	26.5kHz
2	18.0Hz	66	710Hz	130	28.0kHz
3	19.0Hz	67	750Hz	131	30.0kHz
4	20.0Hz	68	800Hz	132	31.5kHz
5	21.2Hz	69	850Hz	133	33.5kHz
6	22.4Hz	70	900Hz	134	35.5kHz
7	23.6Hz	71	950Hz	135	37.5kHz
8	25.0Hz	72	1.00kHz	136	40.0kHz
9	26.5Hz	73	1.06kHz		
10	28.0Hz	74	1.12kHz		
11	30.0Hz	75	1.18kHz		
12	31.5Hz	76	1.25kHz		
13	33.5Hz	77	1.32kHz		
14	35.5Hz	78	1.40kHz		
15	37.5Hz	79	1.50kHz		
16	40.0Hz	80	1.60kHz		
17	42.5Hz	81	1.70kHz		
18	45.0Hz	82	1.80kHz		
19	47.5Hz	83	1.90kHz		
20	50.0Hz	84	2.00kHz		
21	53.0Hz	85	2.12kHz		
22	56.0Hz	86	2.24kHz		
23	60.0Hz	87	2.36kHz		
24	63.0Hz	88	2.50kHz		
25	67.0Hz	89	2.65kHz		
26	71.0Hz	90	2.80kHz		
27	75.0Hz	91	3.00kHz		
28	80.0Hz	92	3.15kHz		
29	85.0Hz	93	3.35kHz		
30	90.0Hz	94	3.55kHz		
31	95.0Hz	95	3.75kHz		
32	100Hz	96	4.00kHz		
33	106Hz	97	4.25kHz		
34	112Hz	98	4.50kHz		
35	118Hz	99	4.75kHz		
36	125Hz	100	5.00kHz		
37	132Hz	101	5.30kHz		
38	140Hz	102	5.60kHz		
39	150Hz	103	6.00kHz		
40	160Hz	104	6.30kHz		
41	170Hz	105	6.70kHz		
42	180Hz	106	7.10kHz		
43	190Hz	107	7.50kHz		
44	200Hz	108	8.00kHz		
45	212Hz	109	8.50kHz		
46	224Hz	110	9.00kHz		
47	236Hz	111	9.50kHz		
48	250Hz	112	10.0kHz		
49	265Hz	113	10.6kHz		
50	280Hz	114	11.2kHz		
51	300Hz	115	11.8kHz		
52	315Hz	116	12.5kHz		
53	335Hz	117	13.2kHz		
54	355Hz	118	14.0kHz		
55	375Hz	119	15.0kHz		
56	400Hz	120	16.0kHz		
57	425Hz	121	17.0kHz		
58	450Hz	122	18.0kHz		
59	475Hz	123	19.0kHz		
60	500Hz	124	20.0kHz		
61	530Hz	125	21.2kHz		
62	560Hz	126	22.4kHz		
63	600Hz	127	23.6kHz		

**Table #26**  
VCM EQ Q

Data	Value
0	0.50
1	0.53
2	0.56
3	0.59
4	0.63
5	0.67
6	0.71
7	0.75
8	0.79
9	0.84
10	0.89
11	0.94
12	1.00
13	1.06
14	1.12
15	1.19
16	1.26
17	1.33
18	1.41
19	1.50
20	1.59
21	1.68
22	1.78
23	1.89
24	2.00
25	2.12
26	2.24
27	2.38
28	2.52
29	2.67
30	2.83
31	3.00
32	3.17
33	3.36
34	3.56
35	3.78
36	4.00
37	4.24
38	4.49
39	4.76
40	5.04
41	5.34
42	5.66
43	5.99
44	6.35
45	6.73
46	7.13
47	7.55
48	8.00
49	8.48
50	8.98
51	9.51
52	10.08
53	10.68
54	11.31
55	11.99
56	12.70
57	13.45
58	14.25
59	15.10
60	16.00



# Effect Preset List

Category	Effect Type Name	Preset Name
Reverb	Rev-X Hall	Basic Small Hall Clean Church Bright Hall
	R3 Hall	Basic Big Hall Backstage Ballad Light
	SPX Hall	Basic Big Hall Backstage Light Gymnasium
	Rev-X Room	Basic Basement Garage Bedroom
	R3 Room	Basic Open Wide Tight
	SPX Room	Basic Open Wide Tight
	R3 Plate	Basic Bright Vocal Smooth Vocal Short Bright Metal Splash
	SPX Stage	Basic Small Big
	Space Simulator	Tunnel Basement Canyon White Room Small Room Live Room 3 Walls
Delay	Control Delay	Basic
	Cross Delay	Basic Short Long Very Long
	Tempo Cross Delay	4beat Echo Dotted 8th Echo 8beat Echo Triplet Echo 2beat Echo
	Tempo Delay Mono	4beat Echo Mono Out 4beat Dotted 8th Echo 8beat Echo Mono Out Dot8 Mono Out 8beat Triplet Echo Triplet Mono Analog Delay
	Tempo Delay Stereo	4beat Echo Dotted 8th Echo 8beat Echo Triplet Echo
	Delay LR	Basic Mono Doubling Short Fast Long Very Long Analog Delay Ping Pong Bounce
	Delay LCR	Bounce Analog Delay
	Delay LR Stereo	Basic Doubling Short Fast Long Very Long Analog Delay

Category	Effect Type Name	Preset Name
Chorus	G Chorus	Basic Fast Deep Mist Bright
	2 Modulator	Basic Fast Deep Mist Multi Panning Mod Vibrator Wonder Shimmer
	SPX Chorus	Basic Fast Deep Slow Flangy
	Symphonic	Basic Fast Deep Slow Analog
	Ensemble Detune	Basic Soft Wide Deep Wide Stereo Sim
	VCM Flanger	Basic Deep Mod1 Deep Mod2 Mad Mod
Flanger	Classic Flanger	Basic Flange Chorus Psychedelic Jet
	Tempo Flanger	Deep Mod Flange Chorus Metallic Psychedelic Jet
	VCM Phaser Mono	E.Piano Orange90 Two Phase Deep Six Deep Eight Lite Eight Deep Sweeper Orange100 Red Twelve Blue Sixteen Clavi1 Clavi2 E.Guitar1 E.Guitar2 E.Guitar3 Vibrato1 Vibrato2 Vibrato3 Ambience1 Ambience2
Phaser	VCM Phaser Stereo	Deep Sweeper E.Piano1 E.Piano2 Clavi1 Clavi2 E.Guitar1 E.Guitar2 E.Guitar3 Deep Six Deep Eight Vibrato1 Vibrato2 Vibrato3 Ambience1 Ambience2
	Tempo Phaser	Basic Deep Phase

Category	Effect Type Name	Preset Name
Tremolo&Rotary	Auto Pan	E.Piano Smooth Oval Right Turn Super Slow
	Tremolo	Fast Slow Super Fast Stereo Vibrato Spring Relax
	Rotary Speaker	Basic Horn Mic Light Heavy Rotor Fast First
Distortion	Amp Simulator 1	Stack1 Stack2 Twin Boost Old Amp Transistor Modern US-Clean J-Clean Fuzz Small Blues Buzzy Bottom Beat Crunch Beat Drive
	Amp Simulator 2	Stack1 Stack2 Combo Crunch Hi Gain British Tube Drive Tube Clean
	Comp Distortion	Basic Booster School Boy Detroit Long Lead 80s Clean
	Comp Distortion Delay	Hard1 Hard2 Grunge Voodoo Texas Rockabilly LA Session Thin Techno
Compressor	VCM Compressor 376	Basic Comp Sustainer 60s DrumKit Natural Kick Old Piano Tube Bass Hard Basic Fast Atk + Boost Soft Atk + Boost Attack & Tight Hard Atk + Boost Vocal Comp 117x Unplugged Attack Comp Punchy Master Pinched
	Classic Compressor	Basic Attack For Vintage Keys Pack Comp Gate Tight Pop Rhythm Cutting Comp Basic Bass Old Record Piano
	Multi Band Comp	Basic Maximizer Wild Attacky Hard Hip Club Slap Bass(ch)

Category	Effect Type Name	Preset Name
Wah	VCM Auto Wah	Low High For Bass
	VCM Touch Wah	Follow Hi Q For Bass Reverse
	VCM Pedal Wah	Low High
Lo-Fi	Noisy	Noisy Tremolo Noise Fuzz Noise
	Digital Turntable	Old Record1 Old Record2 Short Wave Radio
Tech	Ring Modulator	Basic Slow Tremolo Crazy
	Auto Synth	Echo Space Walking Robot Delay
	Isolator	Mid Only Near Flat
	Tec Modulation	Star Train Numerator Active Dist Astonish Drift Armor
MISC	VCM EQ 501	Flat Radio Speaker Dance Bd & Sn
	Harmonic Enhancer	Edge Hi Edge Mid Edge
	Talking Modulator	Basic
	Damper Resonance	Basic
	Pitch Change	Detune Oct Echo Octaver Plus 4th Minus 4th Oval Step Up Step Down
	Early Reflections	Close Far Reverse Gate 70s Gate
	NOISE GATE+COMP+EQ	Basic

# Remote Control Assignments

## DAW

<b>Cubase</b>	Cubase 6 or later
<b>Logic</b>	Logic Pro 9
<b>SONAR</b>	SONAR X1 Producer
<b>Digital Performer</b>	Digital Performer 7

## Remote Control Function

	<b>Cubase</b>	<b>Logic</b>	<b>SONAR</b>	<b>Digital Performer</b>
<b>[PIANO]/[KEYBOARD]</b>	Changes the Control Template	←	←	←
<b>Knob Function</b>	Changes the functions assigned to Knobs [A] – [D].	←	←	←
<b>SEQ TRANSPORT Stop</b>	Stops recording or playback	←	←	←
<b>SEQ TRANSPORT Play</b>	Starts playback from the current point	←	←	←
<b>[SYN COMP]</b>	Opens/closes the [Add Instrument Track] dialog.	Mackie Control F1	Mackie Control F1	—
<b>[CHROMATIC PERCUSSION]</b>	Opens the VSTi display for the selected Track.	Mackie Control F2	Mackie Control F2	—
<b>[DRUM/PERCUSSION]</b>	Opens/closes the settings window for the channel of the selected Track.	Mackie Control F3	Mackie Control F3	—
<b>[SOUND EFX]</b>	Switches Automation Read for the selected Track on or off.	Mackie Control F4	Mackie Control F4	—
<b>[MUSICAL EFX]</b>	Switches Automation Write for the selected Track on or off.	Mackie Control F5	Mackie Control F5	—
<b>[ETHNIC]</b>	Delete	Mackie Control F6	Mackie Control F6	—
<b>[ORGAN] – [SAX/WOODWIND]</b>	Assignable functions For information on the default functions, refer to the "Reference Manual" PDF document.	Mackie Control F7 – F12	Mackie Control F7 – F12	—
<b>EXIT</b>	Escape key on computer keyboard	←	←	←
<b>ENTER</b>	Enter key on computer keyboard	←	←	←
<b>Cursor button</b>	Cursor key on computer keyboard	←	←	←
<b>[INC]/[DEC]</b>	Changes the Program	←	←	←
<b>[DATA] dial</b>	Operates the parameter specified via the mouse pointer (when the [JOG]/[LOCK] button is set to off). Functions as AI KNOB (when the [JOG]/[LOCK] button is set to on).	—	—	—
<b>[UTILITY]</b>	Calls up the display for the Utility settings dedicated to the Remote mode	←	←	←

# Control List

## Controller Set Destination

No.	Parameter		Voice	Drum
0	off	Common	O	O
1	Insertion Effect A Parameter 1	:	O	O
	:	:	O	O
16	Insertion Effect A Parameter 16	:	O	O
17	reserved	:	-	-
	:	:	-	-
64	reserved	:	-	-
65	Volume	:	O	O
66	Reverb Send	:	O	O
67	Chorus Send	:	O	O
68	Common LFO Speed	:	O	-
69	Common LFO Depth 1	:	O	-
70	Common LFO Depth 2	:	O	-
71	Common LFO Depth 3	:	O	-
72	Portamento Time	:	O	-
73	Element Level	Element	O	-
74	Element Pan	:	O	-
75	Key On Delay Time	:	O	-
76	Element LFO Speed	:	O	-
77	Element LFO PMD	:	O	-
78	Element LFO AMD	:	O	-
79	Element LFO FMD	:	O	-
80	Coarse Tune	:	O	-
81	Fine Tune	:	O	-
82	PEG Depth	:	O	-
83	PEG Hold Time	:	O	-
84	PEG Attack Time	:	O	-
85	PEG Decay 1 Time	:	O	-
86	PEG Decay 2 Time	:	O	-
87	PEG Release Time	:	O	-
88	AEG Attack Time	:	O	-
89	AEG Decay 1 Time	:	O	-
90	AEG Decay 2 Time	:	O	-
91	AEG Release Time	:	O	-
92	FEG Depth	:	O	-
93	FEG Hold Time	:	O	-
94	FEG Attack Time	:	O	-
95	FEG Decay 1 Time	:	O	-
96	FEG Decay 2 Time	:	O	-
97	FEG Release Time	:	O	-
98	Cutoff Frequency	:	O	-
99	Resonance	:	O	-
100	reserved	:	-	-
101	Mono/Poly	Common	O	-

## LFO Box Destination

No.	Parameter		Voice
0	Insertion Effect A Parameter 1	Common	O
	:	:	O
15	Insertion Effect A Parameter 16	:	O
16	reserved	:	-
	:	:	-
63	reserved	:	-
64	Amplitude Modulation	Element	O
65	Pitch Modulation	:	O
66	Filter Modulation	:	O
67	Resonance	:	O
68	Pan	:	O
69	LFO Speed	:	O

# MIDI Data Format

Many MIDI messages listed in the MIDI Data Format section are expressed in hexadecimal or binary numbers. Hexadecimal numbers may include the letter "H" as a suffix. The letter "n" indicates a certain whole number.

The chart below lists the corresponding decimal number for each hexadecimal number.

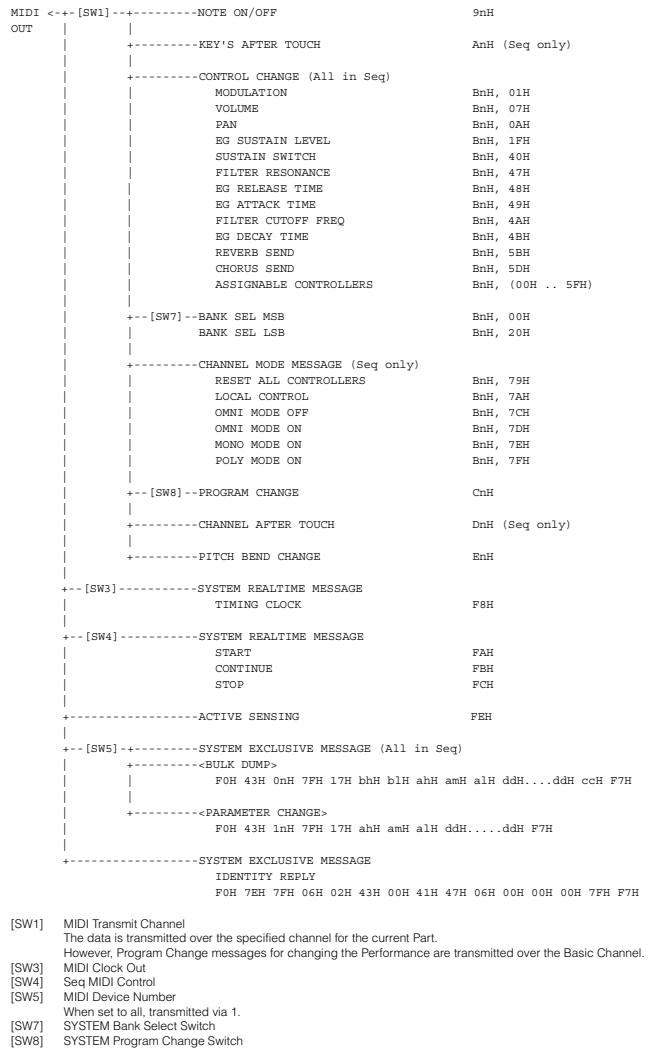
Decimal	Hexadecimal	Decimal	Hexadecimal
0	0	64	40
1	1	65	41
2	2	66	42
3	3	67	43
4	4	68	44
5	5	69	45
6	6	70	46
7	7	71	47
8	8	72	48
9	9	73	49
10	0A	74	4A
11	0B	75	4B
12	0C	76	4C
13	0D	77	4D
14	0E	78	4E
15	0F	79	4F
16	10	80	50
17	11	81	51
18	12	82	52
19	13	83	53
20	14	84	54
21	15	85	55
22	16	86	56
23	17	87	57
24	18	88	58
25	19	89	59
26	1A	90	5A
27	1B	91	5B
28	1C	92	5C
29	1D	93	5D
30	1E	94	5E
31	1F	95	5F
32	20	96	60
33	21	97	61
34	22	98	62
35	23	99	63
36	24	100	64
37	25	101	65
38	26	102	66
39	27	103	67
40	28	104	68
41	29	105	69
42	2A	106	6A
43	2B	107	6B
44	2C	108	6C
45	2D	109	6D
46	2E	110	6E
47	2F	111	6F
48	30	112	70
49	31	113	71
50	32	114	72
51	33	115	73
52	34	116	74
53	35	117	75
54	36	118	76
55	37	119	77
56	38	120	78
57	39	121	79
58	3A	122	7A
59	3B	123	7B
60	3C	124	7C
61	3D	125	7D
62	3E	126	7E
63	3F	127	7F

### Additional Notes

- For example, 144 – 159(Decimal)/9nH/1001 0000 – 1001 1111(Binary) indicate the note-on messages for the channels 1 through 16 respectively. 176 – 191/BnH/1011 0000 – 1011 1111 indicate the control change messages for the channels 1 through 16 respectively. 192 – 207/CnH/1100 0000 – 1100 1111 indicate the program change messages for the channels 1 through 16 respectively. 240/F0H/1111 0000 is positioned at the beginning of data to indicate a system exclusive message. 247/F7H/1111 0111 is positioned at the end of the system exclusive message.
- aaH (Hexadecimal)/0aaaaaaa (Binary) indicates the data addresses. The data address consists of High, Mid and Low.
- bbH/0bbbbbbb indicates byte counts.
- ccH/0ccccccc indicates check sums.
- ddH/0ddddddd indicates data/value.

## SYNTHESIZER/SEQUENCER PART

### (1) TRANSMIT FLOW



(2) RECEIVE FLOW

```

MIDI>-- [SW10]-----NOTE OFF                8nH
-----NOTE ON/OFF                            9nH
-----KEY'S APTER TOUCH                      AnH (Seq only)
-----CONTROL CHANGE (All in Seq)
  MODULATION                                BnH, 01H
  PORTAMENTO TIME                            BnH, 05H
  DATA ENTRY MSB                            BnH, 06H
  DATA ENTRY LSB                            BnH, 26H
  MAIN VOLUME                                BnH, 07H
  PAN                                         BnH, 0AH
  EXPRESSION                                  BnH, 0BH
  EG SUSTAIN LEVEL                           BnH, 1FH
  SUSTAIN SWITCH                             BnH, 40H
  PORTAMENTO SWITCH                           BnH, 41H
  SOSTENUTO                                  BnH, 42H
  HARMONIC CONTENT                           BnH, 47H
  EG RELEASE TIME                             BnH, 48H
  EG ATTACK TIME                             BnH, 49H
  BRIGHTNESS                                 BnH, 4AH
  EG DECAY TIME                              BnH, 4BH
  EFFECT1 DEPTH                              BnH, 5BH
  EFFECT3 DEPTH                              BnH, 5DH
  DATA ENTRY INC                             BnH, 60H
  DATA ENTRY DEC                             BnH, 61H
  ALL SOUND OFF                              BnH, 78H
  ASSIGNABLE CONTROLLER                      BnH, (00H .. 5FH)
  RPN
    PITCH BEND SEN.S.                        BnH, 64H, 00H, 65H, 00H, 06H,
    mmH
    FINE TUNING                              BnH, 64H, 01H, 65H, 00H, 06H,
    mmH, 26H, 11H
    COARSE TUNING                            BnH, 64H, 02H, 65H, 00H, 06H,
    mmH
    RPN RESET                                BnH, 64H, 7FH, 65H, 7FH

-- [SW7]--BANK SEL MSB                        BnH, 00H
BANK SEL LSB                                BnH, 20H

-----CHANNEL MODE MESSAGE
  RESET ALL CONTROLLERS                      BnH, 79H
  LOCAL CONTROL                              BnH, 7AH
  OMNI MODE OFF                              BnH, 7CH
  OMNI MODE ON                               BnH, 7DH
  MONO MODE ON                               BnH, 7EH
  POLY MODE ON                               BnH, 7FH

-- [SW8]--PROGRAM CHANGE                      CnH
-----CHANNEL AFTER TOUCH                      DnH
-----PITCH BEND CHANGE                      EnH

-- [SW3]-----SYSTEM REALTIME MESSAGE
  TIMING CLOCK                              F8H

-- [SW4]-----SYSTEM REALTIME MESSAGE
  START                                      FAH
  CONTINUE                                   FBH
  STOP                                       FCH

-----ACTIVE SENSING                          FEH

-- [SW5]-----SYSTEM EXCLUSIVE MESSAGE (All in Seq)
  MIDI MASTER VOLUME                         FOH 7FH 7FH 04H 01H 11H mmH F7H

-- [SW9]--<BULK DUMP>
  FOH 43H 0nH 7FH 17H bhH b1H ahH amH alH ddH...ddH ccH F7H

-- [SW6]--<PARAMETER CHANGE>
  FOH 43H 1nH 7FH 17H ahH amH alH ddH...ddH F7H

-- [SW6]--<BULK DUMP REQUEST>
  FOH 43H 2nH 7FH 17H ahH amH alH ddH...ddH F7H

-- [SW6]--<PARAMETER REQUEST>
  FOH 43H 3nH 7FH 17H ahH amH alH F7H

-----GM MODE ON
  FOH 7EH 7FH 09H 01H F7H

-----SYSTEM EXCLUSIVE MESSAGE
  IDENTITY REQUEST                           FOH 7EH 0nH 06H 01H F7H
  
```

- [SW3] MIDI Sync (Determines whether Song/Pattern/Arpeggio playback will be synchronized to the instrument's internal clock or an external MIDI clock.)
- [SW4] Seq MIDI Control
- [SW5] MIDI Device Number  
When this is not set to off, the MIDI Master Volume can be received in any mode.
- [SW6] The System data can be transmitted/recognized in any mode.
- [SW7] SYSTEM Bank Select Switch
- [SW8] SYSTEM Program Change Switch
- [SW9] SYSTEM Bulk Protect and same as SW6.
- [SW10] Complies with Part Receive Channel and Part Receive Switch.  
The Program Change of the Performance complies with Basic Channel.

(3) TRANSMIT/RECEIVE DATA

(3-1) CHANNEL VOICE MESSAGES

(3-1-1) NOTE OFF

```

STATUS          100nH (8nH)          n = 0 - 15 CHANNEL NUMBER
NOTE No.        0kkkkkkk             k = 0 (C-2) - 127 (G8)
VELOCITY        0vvvvvvv             v: ignored
Receive only
  
```

(3-1-2) NOTE ON/OFF

```

STATUS          1001nnH (9nH)        n = 0 - 15 CHANNEL NUMBER
NOTE NUMBER     0kkkkkkk             k = 0 (C-2) - 127 (G8)
VELOCITY NOTE ON 0vvvvvvv (v≠0)
NOTE OFF        0vvvvvvv (v=0)
  
```

(3-1-3) CONTROL CHANGE

```

STATUS          1011nnH (BnH)        n = 0 - 15 CHANNEL NUMBER
CONTROL NUMBER  0ccccccc
CONTROL VALUE   0vvvvvvv
  
```

\*TRANSMITTED CONTROL NUMBER

c = 0	BANK SEL MSB	; v = 0 - 127	*3
c = 32	BANK SEL LSB	; v = 0 - 127	*3
c = 1	MODULATION	; v = 0 - 127	
c = 7	MAIN VOLUME	; v = 0 - 127	
c = 10	PAN	; v = 0 - 127	
c = 11	EXPRESSION	; v = 0 - 127	
c = 31	EG SUSTAIN LEVEL	; v = 0: -64 - 64: 0 - 127: +63	
c = 64	SUSTAIN SWITCH	; v = 0 - 127	*5
c = 71	FILTER RESONANCE	; v = 0: -64 - 64: 0 - 127: +63	
c = 72	EG RELEASE TIME	; v = 0: -64 - 64: 0 - 127: +63	
c = 73	EG ATTACK TIME	; v = 0: -64 - 64: 0 - 127: +63	
c = 74	FILTER CUTOFF FREQ	; v = 0: -64 - 64: 0 - 127: +63	
c = 75	EG DECAY TIME	; v = 0: -64 - 64: 0 - 127: +63	
c = 91	REVERB SEND	; v = 0, 127	
c = 93	CHORUS SEND	; v = 0, 127	
c = 0..95	ASSIGNABLE CONTROLLERS	; v = 0 - 127	*4

The Song/Pattern Playing block will play back all recorded control change messages.

\* RECEIVED CONTROL NUMBER

c = 0	BANK SEL MSB	; v = 0 - 127	*3
c = 32	BANK SEL LSB	; v = 0 - 127	*3
c = 1	MODULATION	; v = 0 - 127	
c = 5	PORTAMENTO TIME	; v = 0 - 127	*2
c = 6	DATA ENTRY MSB	; v = 0 - 127	*1
c = 38	DATA ENTRY LSB	; v = 0 - 127	*1
c = 7	MAIN VOLUME	; v = 0 - 127	
c = 10	PAN	; v = 0 - 127	
c = 11	EXPRESSION	; v = 0 - 127	
c = 31	EG SUSTAIN LEVEL	; v = 0: -64 - 64: 0 - 127: +63	*2
c = 64	SUSTAIN SWITCH	; v = 0 - 127	
c = 65	PORTAMENTO SWITCH	; v = 0 - 63: OFF, 64 - 127: ON	*2
c = 66	SOSTENUTO	; v = 0 - 63: OFF, 64 - 127: ON	
c = 71	HARMONIC CONTENT	; v = 0: -64 - 64: 0 - 127: +63	
c = 72	EG RELEASE TIME	; v = 0: -64 - 64: 0 - 127: +63	*2
c = 73	EG ATTACK TIME	; v = 0: -64 - 64: 0 - 127: +63	
c = 74	BRIGHTNESS	; v = 0: -64 - 64: 0 - 127: +63	
c = 75	EG DECAY TIME	; v = 0: -64 - 64: 0 - 127: +63	
c = 91	EFFECT1 DEPTH	; v = 0 - 127	
c = 93	EFFECT3 DEPTH	; v = 0 - 127	
c = 96	DATA ENTRY INC	; v = 127	*1
c = 97	DATA ENTRY DEC	; v = 127	*1
c = 0..95	ASSIGNABLE CONTROLLER	; v = 0 - 127	*4

\*1 Used only when a value is set using RPN.  
\*2 Invalid with Drum Voices.  
\*3 Relation between BANK CHANGE and PROGRAM is as follows:

CATEGORY	MSB	LSB	PROGRAM No.
GM Voice	0	0	0..127
GM Drum Voice	127	0	0
Normal Voice Preset 1	63	0	0..127
Preset 2	63	1	0..127
Preset 3	63	2	0..127
Preset 4	63	3	0..127
Preset 5	63	4	0..127
Preset 6	63	5	0..127
Preset 7	63	6	0..127
Preset 8	63	7	0..127
User 1	63	8	0..127
Drum Voice Preset	63	32	0..63
User	63	40	0..7
Performance User 1	63	80	0..127

\*4 The default CONTROL NUMBERS of ASSIGNABLE CONTROLLER are as follows:

```

BREATH CONTROLLER    2
FOOT CONTROLLER      4
Assign 1              16
Assign 2              17
FOOT SWITCH          64
  
```

\*5 When the sustain pedal is set to something other than "FC3 (Half On)," operating the sustain pedal transmits only values of 0 (off) or 127 (on).

PORTAMENTO TIME sets the time it takes for the pitch to reach the next note played when PORTAMENTO SWITCH is set to on.  
PAN position relatively changes according to the preset value for each voice.  
EFFECT1 DEPTH controls reverb send level.  
EFFECT3 DEPTH controls chorus send level.  
HARMONIC CONTENT adjusts the resonance preset for each voice. Setting a value adds to or subtracts from the center value, 64, since it is an offset parameter.  
The larger the value more resonant sound will be produced.  
The effective range may be narrower than the range you can designate depending on the selected voice.  
The parameters, EG ATTACK TIME, EG DECAY TIME, EG SUSTAIN LEVEL, EG RELEASE TIME adjust the envelopes preset for each voice. Setting these values add to or subtract from the center value, 64, since these are offset parameters.  
BRIGHTNESS adjusts the cutoff frequency preset for each voice. Setting a value adds to or subtracts from the center value, 64, since it is an offset parameter. The smaller the value the cutoff frequency will be lowered. The effective range may be narrower than the range you can designate depending on the selected voice.  
Bank Select will be actually executed when the Program Change message is received. Bank Select and Program Change numbers that are not supported by Yamaha will be ignored.

**(3-1-4) PROGRAM CHANGE**

STATUS	1100nnnn (CnH)	n = 0 - 15 CHANNEL NUMBER
PROGRAM NUMBER	0ppppppp	p = 0 - 127

**(3-1-5) CHANNEL AFTER TOUCH**

STATUS	1101nnnn (DnH)	n = 0 - 15 CHANNEL NUMBER
VALUE	0vvvvvvv	v = 0 - 127 AFTER TOUCH VALUE

**(3-1-6) PITCH BEND CHANGE**

STATUS	1110nnnn (EnH)	n = 0 - 15 CHANNEL NUMBER
LSB	0vvvvvvv	PITCH BEND CHANGE LSB
MSB	0vvvvvvv	PITCH BEND CHANGE MSB

Transmitted with a resolution of 7 bits.

**(3-2) CHANNEL MODE MESSAGES**

STATUS	1011nnnn (BnH)	n = 0 - 15 CHANNEL NUMBER
CONTROL NUMBER	0ccccccc	c = CONTROL NUMBER
CONTROL VALUE	0vvvvvvv	v = DATA VALUE

**(3-2-1) ALL SOUND OFF (CONTROL NUMBER = 78H, DATA VALUE = 0)**

All the sounds currently played including the channel messages such as note-on and hold-on in a certain channel are muted when receiving this message.

**(3-2-2) RESET ALL CONTROLLERS (CONTROL NUMBER = 79H, DATA VALUE = 0)**

Resets the values set for the following controllers.

PITCH BEND CHANGE	0 (center)
CHANNEL AFTER TOUCH	0 (minimum)
MODULATION	0 (minimum)
EXPRESSION	127 (maximum)
BREATH CONTROLLER	127 (maximum)
FOOT CONTROLLER 1	127 (maximum)
FOOT CONTROLLER 2	127 (maximum)
FOOT SWITCH	0 (off)
Assign 1	0 (center)
Assign 2	0 (center)
RIBBON CONTROLLER	0 (center)
ASSIGNABLE FUNCTION 1	0 (off)
ASSIGNABLE FUNCTION 2	0 (off)
SUSTAIN SWITCH	0 (off)
SOUSTENUTO SWITCH	0 (off)
RPN	Not assigned; No change

Doesn't reset the following data:

PROGRAM CHANGE, BANK SELECT MSB/LSB, VOLUME, PAN, HARMONIC CONTENT, SUSTAIN LEVEL, RELEASE TIME, ATTACK TIME, DECAY TIME, BRIGHTNESS, EFFECT SEND LEVEL 1, EFFECT SEND LEVEL 3, PORTAMENTO SWITCH, PITCH BEND SENSITIVITY, FINE TUNING, COARSE TUNING

**(3-2-3) ALL NOTE OFF (CONTROL NUMBER = 7BH, DATA VALUE = 0)**

All notes currently set to on in certain channel(s) are muted when receiving this message. However, if Sustain or Sostenuto is on, notes will continue sounding until these are turned off.

**(3-2-4) OMNI MODE OFF (CONTROL NUMBER = 7CH, DATA VALUE = 0)**

Performs the same function as when receiving ALL NOTES OFF.

**(3-2-5) OMNI MODE ON (CONTROL NUMBER = 7DH, DATA VALUE = 0)**

Performs the same function as when receiving ALL NOTES OFF.

**(3-2-6) MONO (CONTROL NUMBER = 7EH, DATA VALUE = 0..16)**

Performs the same function as when receiving ALL SOUNDS OFF. If the 3rd byte (mono) is within 0 through 16, the channel will be Mode 4 (m = 1).

**(3-2-7) POLY (CONTROL NUMBER = 7FH, DATA VALUE = 0)**

Performs the same function as when receiving ALL SOUNDS OFF. The channel will be Mode 3.

**(3-3) REGISTERED PARAMETER NUMBER**

STATUS	1011nnnn (BnH)	n = 0 - 15 CHANNEL NUMBER
LSB	01100100 (64H)	
RPN LSB	0ppppppp	p = RPN LSB (Refer to the table as shown below.)
MSB	01100101 (65H)	
RPN MSB	0qqqqqqq	q = RPN MSB (Refer to the table as shown below.)
DATA ENTRY MSB	00000110 (06H)	
DATA VALUE	0mmmmmmm	m = Data Value
DATA ENTRY LSB	00100110 (26H)	
DATA VALUE	01111111	l = Data Value

First, designate the parameter using RPN MSB/LSB numbers. Then, set its value with data entry MSB/LSB.

RPN	D. ENTRY		
LSB MSB MSB LSB	PARAMETER NAME	DATA RANGE	
00H 00H mmH ---	PITCH BEND SENSITIVITY	00H - 18H (0 - 24 semitones)	
01H 00H mmH 11H	MASTER FINE TUNE	{mmH, 11H} = {00H, 00H} - {40H, 00H} - {7FH, 7FH}	
		(-8192*100/8192) - 0 - (+8191*100/8192)	
02H 00H mmH ---	MASTER COARSE TUNE	28H - 40H - 58H (-24 - 0 - +24 semitones)	
7FH 7FH --- ---	RPN RESET		

RPN numbers will be left not designated.  
The internal values are not affected.

**(3-4) NON-REGISTERED PARAMETER NUMBER**

There are no applicable parameters.

**(3-5) SYSTEM REAL TIME MESSAGES****(3-5-1) ACTIVE SENSING**

STATUS	11111110 (FEH)
--------	----------------

Transmitted at every 200 msec.

Once this code is received, the instrument starts sensing. When no status nor data is received for over approximately 350 ms, MIDI receiving buffer will be cleared, and the sounds currently played and the Sustain Switch are forcibly turned off. Also, the values of the Controllers are reset to the default settings.

**(3-6) SYSTEM EXCLUSIVE MESSAGE****(3-6-1) UNIVERSAL NON REALTIME MESSAGE****(3-6-1-1) GENERAL MIDI MODE ON**

F0H 7EH 7FH 09H 01H F7H
-------------------------

**(3-6-1-2) IDENTITY REQUEST (Receive only)**

F0H 7EH 0nH 06H 01H F7H
-------------------------

("n" = Device No. However, this instrument receives under "omni.")

**(3-6-1-3) IDENTITY REPLY (Transmit only)**

F0H 7EH 7FH 06H 02H 43H 00H 41H ddH ddH 00H 00H 00H 7FH F7H
---

dd; Device Number Code  
47 06

**(3-6-2) UNIVERSAL REALTIME MESSAGE****(3-6-2-1) MIDI MASTER VOLUME**

F0H 7FH 7FH 04H 01H 11H mmH F7H
---------------------------------

Sets the MASTER VOLUME value.

The value "mm" is used to set the master volume (the value "l" should be ignored).

**(3-6-3) PARAMETER CHANGE****(3-6-3-1) NATIVE PARAMETER CHANGE, MODE CHANGE**

11110000	F0	Exclusive Status
01000011	43	YAMAHA ID
0001nnnn	1n	Device Number
01111111	7F	Model ID
00010100	17	Model ID
0aaaaaaaa	aaaaaaaa	Address High
0aaaaaaaa	aaaaaaaa	Address Mid
0aaaaaaaa	aaaaaaaa	Address Low
0ddddddd	ddddddd	Data
11110111	F7	End of Exclusive

For parameters with data size of 2 or more, the appropriate number of data bytes will be transmitted. See the following MIDI Data Table for Address and Byte Count.

**(3-6-4) BULK DUMP**

11110000	F0	Exclusive Status
01000011	43	YAMAHA ID
0000nnnn	0n	Device Number
01111111	7F	Model ID
00010100	17	Model ID
0bbbbbbb	bbbbbbb	Byte Count
0bbbbbbb	bbbbbbb	Byte Count
0aaaaaaaa	aaaaaaaa	Address High
0aaaaaaaa	aaaaaaaa	Address Mid
0aaaaaaaa	aaaaaaaa	Address Low
0	0	Data
0ccccccc	ccccccc	Check-sum
11110111	F7	End of Exclusive

See the following BULK DUMP Table for Address and Byte Count.

The Check sum is the value that results in a value of 0 for the lower 7 bits when the Byte Count, Start Address, Data and Check sum itself are added.

**(3-6-5) DUMP REQUEST**

11110000	F0	Exclusive Status
01000011	43	YAMAHA ID
0010nnnn	2n	Device Number
01111111	7F	Model ID
00010100	17	Model ID
0aaaaaaaa	aaaaaaaa	Address High
0aaaaaaaa	aaaaaaaa	Address Mid
0aaaaaaaa	aaaaaaaa	Address Low
11110111	F7	End of Exclusive

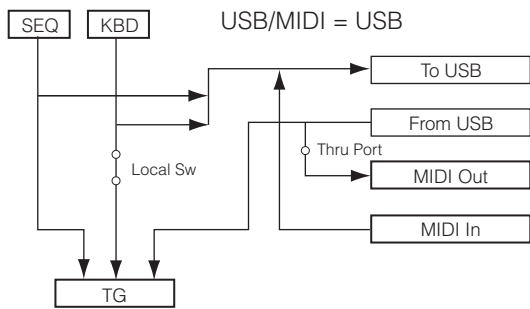
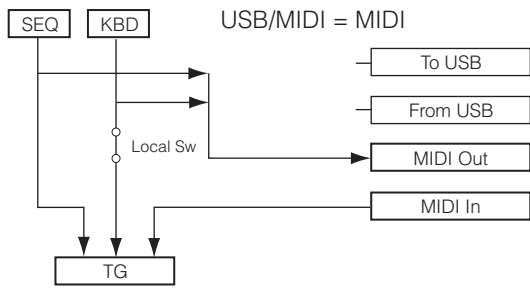
See the following DUMP REQUEST Table for Address and Byte Count.

**(3-6-6) PARAMETER REQUEST**

11110000	F0	Exclusive Status
01000011	43	YAMAHA ID
0010nnnn	3n	Device Number
01111111	7F	Model ID
00010100	17	Model ID
0aaaaaaaa	aaaaaaaa	Address High
0aaaaaaaa	aaaaaaaa	Address Mid
0aaaaaaaa	aaaaaaaa	Address Low
11110111	F7	End of Exclusive

See the following MIDI Data Table for Address.

**(4) SYSTEM OVERVIEW (Keyboard, Sequencer and Tone Generator)**



Although three types of note on/note off data, received via MIDI, played by the internal sequencer and played on the keyboard will be distinguished, the other controllers (channel messages) equally affect the entire notes.

ALL SOUND OFF clears all the sounds in the specific channel(s) played by both the keyboard and the data via MIDI.  
 ALL NOTES OFF received via MIDI clears the sounds in the specific channel(s) played via MIDI.



# MIDI Data Table

## Bank Select

### Available Bank Select/Program Change

MSB (HEX)	LSB (HEX)	Program No.	Type	Memory	Description		
0	00	0 - 00	Normal Voice	GM Voice			
127	7F	0	Drum Voice	GM Drum			
63	3F	0 - 127	Normal Voice	Preset 1			
		1 - 01		Preset 2			
		2 - 02		Preset 3			
		3 - 03		Preset 4			
		4 - 04		Preset 5			
		5 - 05		Preset 6			
		6 - 06		Preset 7			
		7 - 07		Preset 8			
		8 - 08		User			
		32 - 20		0 - 63	Drum Voice	Preset	
		40 - 28		0 - 7	User		
63	3F	80 - 50	Performance	User			

## Parameter Base Address

Model ID = 7F 17

Parameter Block	Top Address			Description
	High	Mid	Low	
	SYSTEM	00	00	
	00	05	00	Sequencer Setup
	00	06	00	Remote
PART SET CONTROL for MIX VOICE	0D	00	00	Part Set Control for Mix Voice
BULK CONTROL	0E	00	00	Header
	0F	00	00	Footer
MULTIPLE BULK CONTROL	10	00	00	Header
	11	00	00	Footer
MULTI COMMON	36	00	00	Common
	36	01	00	Reverb
	36	02	00	Chorus
	36	10	00	Master EQ
	36	30	00	Arpeggio Common
MULTI PART	37	pp	00	Part 1 - 16 (pp: 00 - 0F)
	38	pp	00	Arpeggio Part 1 - 16 (pp: 00 - 0F)
NORMAL VOICE COMMON	40	00	00	Common
	40	03	00	Insertion A
	40	06	00	Controller+LFO
	40	30	00	Arpeggio
NORMAL VOICE ELEMENT GROUP 1	41	ee	00	Element Group 1 (ee: 00 - 07)
NORMAL VOICE ELEMENT GROUP 2	42	ee	00	Element Group 2 (ee: 00 - 07)
DRUM COMMON	46	00	00	Common
	46	03	00	Insertion A
	46	08	00	Controller
	46	30	00	Arpeggio
DRUM ELEMENT GROUP	47	ee	00	Element Group (ee: 0 - 72)

## Bulk Dump Block

"Top Address" indicates the top address of each block designated by bulk dump operation. "Byte Count" indicates the data size contained in each block designated by bulk dump operation.

The Block from the Bulk Header to the Bulk Footer of the Performance and Voice can be received regardless their order. They can be received even if all of them are not transmitted. They cannot be received if the irrelevant Block is included.

To execute 1 Performance/1 Voice bulk dump request, designate its corresponding Bulk Header address.

For the information about "mm" and "nn" shown in the following list, refer to MIDI PARAMETER CHANGE TABLE (BULK CONTROL) below.

Model ID = 7F 17

Parameter Block	Description	Byte Count		Top Address			
		Dec	Hex	High	Mid	Low	
SYSTEM	System	68	44	00	00	00	
	Sequencer Setup	22	16	00	05	00	
	Remote	6	06	00	06	00	
MULTI	Bulk Header	0	00	0E	mm	nn	
	COMMON	Common	80	50	36	00	00
		Reverb	38	26	36	01	00
		Chorus	40	28	36	02	00
		Master EQ	20	14	36	10	00
		Arpeggio Common	14	0E	36	30	00
	PART	Part 1	62	3E	37	00	00
		:			:		
		Part 16				0F	
		Arpeggio Part 1	72	48	38	00	00
		:			:		
		Arpeggio Part 16				0F	
		Bulk Footer	0	00	0F	mm	nn
VOICE (NORMAL)	Bulk Header	0	00	0E	mm	nn	
	COMMON	Common	80	50	40	00	00
		Insertion A	36	24	40	03	00
		Controller+LFO	60	3C	40	06	00
		Arpeggio	86	56	40	30	00
	ELEMENT	Osc+Amp+Pit Element 1	88	58	41	00	00
		:			:		
		Osc+Amp+Pit Element 8				07	
		Fit+EQ+LFO Element 1	74	4A	42	00	00
		:			:		
	Fit+EQ+LFO Element 8				07		
		Bulk Footer	0	00	0F	mm	nn
	VOICE (DRUM)	Bulk Header	0	00	0E	mm	nn
COMMON		Common	72	48	46	00	00
		Insertion A	36	24	46	03	00
		Controller	24	18	46	08	00
		Arpeggio	86	56	46	30	00
KEY		Key C0	46	2E	47	00	00
		:			:		
		Key C6				48	
		Bulk Footer	0	00	0F	mm	nn

Message Type	Data
Parameter Change	F0, 43, 1n, id, id, ah, am, al, dt, ... F7
Parameter Request	F0, 43, 3n, id, id, ah, am, al, F7
Bulk Dump	F0, 43, 0n, id, id, bh, bl, ah, am, al, dt, ..., cc, F7
Bulk Request	F0, 43, 2n, id, id, ah, am, al, F7

n: Device Number  
id: Model ID  
bh: Byte Count High  
bl: Byte Count Low  
ah: Parameter Address High  
am: Parameter Address Middle  
al: Parameter Address Low  
dt: Data  
cc: Check Sum of Data

### MIDI PARAMETER CHANGE TABLE (PART SET CONTROL for MIX VOICE)

Model ID = 7F 17

Address			Size	Data Range (HEX)	Parameter Name	Settings	Default (HEX)	Notes
High	Mid	Low						
0D	00	00	1	00 - 0F	Part Set Control for Mix Voice	0 - 15		

TOTAL SIZE = 1 01 (HEX)

### MIDI PARAMETER CHANGE TABLE (BULK CONTROL)

Model ID = 7F 17

Address			Size	Data Range (HEX)	Parameter Name	Settings	Default (HEX)	Notes	
High	Mid	Low							
0E	00	nn	1	-	Bulk Header	Normal Voice PRE 1 (nn = 0 - 127)	-		
	01	nn	1	-		Normal Voice PRE 2 (nn = 0 - 127)	-		
	02	nn	1	-		Normal Voice PRE 3 (nn = 0 - 127)	-		
	03	nn	1	-		Normal Voice PRE 4 (nn = 0 - 127)	-		
	04	nn	1	-		Normal Voice PRE 5 (nn = 0 - 127)	-		
	05	nn	1	-		Normal Voice PRE 6 (nn = 0 - 127)	-		
	06	nn	1	-		Normal Voice PRE 7 (nn = 0 - 127)	-		
	07	nn	1	-		Normal Voice PRE 8 (nn = 0 - 127)	-		
	09	nn	1	-		Normal Voice GM (nn = 0 - 127)	-		
	0A	nn	1	-		Normal Voice USER 1 (nn = 0 - 127)	-		
	0F	nn	1	-		Normal Voice Edit Buffer (nn = 0)	-		
	20	nn	1	-		Drum Voice PRE (nn = 0 - 63)	-		
	21	nn	1	-		Drum Voice GM (nn = 0)	-		
	28	nn	1	-		Drum Voice USER (nn = 0 - 7)	-		
	29	nn	1	-		reserved	-		
	2F	nn	1	-		Drum Voice Edit Buffer (nn = 0)	-		
	30	nn	1	-		Mixing Part Voice Edit Buffer (nn = 0 - 15) nn: part	-		
	50	nn	1	-		Performance USER 1 (nn = 0 - 127)	-		
	5F	nn	1	-		Performance Edit Buffer (nn = 0)	-		
0F	00	nn	1	-		Bulk Footer	Normal Voice PRE 1 (nn = 0 - 127)	-	
	01	nn	1	-			Normal Voice PRE 2 (nn = 0 - 127)	-	
	02	nn	1	-			Normal Voice PRE 3 (nn = 0 - 127)	-	
	03	nn	1	-			Normal Voice PRE 4 (nn = 0 - 127)	-	
	04	nn	1	-			Normal Voice PRE 5 (nn = 0 - 127)	-	
	05	nn	1	-			Normal Voice PRE 6 (nn = 0 - 127)	-	
	06	nn	1	-			Normal Voice PRE 7 (nn = 0 - 127)	-	
	07	nn	1	-			Normal Voice PRE 8 (nn = 0 - 127)	-	
	09	nn	1	-			Normal Voice GM (nn = 0 - 127)	-	
	0A	nn	1	-			Normal Voice USER 1 (nn = 0 - 127)	-	
	0F	nn	1	-			Normal Voice Edit Buffer (nn = 0)	-	
	20	nn	1	-	Drum Voice PRE (nn = 0 - 63)		-		
	21	nn	1	-	Drum Voice GM (nn = 0)		-		
	28	nn	1	-	Drum Voice USER (nn = 0 - 7)		-		
	29	nn	1	-	reserved		-		
	2F	nn	1	-	Drum Voice Edit Buffer (nn = 0)		-		
	30	nn	1	-	Mixing Part Voice Edit Buffer (nn = 0 - 15) nn: part		-		
	50	nn	1	-	Performance USER 1 (nn = 0 - 127)		-		
	5F	nn	1	-	Performance Edit Buffer (nn = 0)		-		

### MIDI PARAMETER CHANGE TABLE (SYSTEM)

Model ID = 7F 17

Address			Size	Data Range (HEX)	Parameter Name	Description	Default (HEX)	Notes
High	Mid	Low						
00	00	00	1	00 - 7F	Master Volume	0 - 127	7F	MIDI Master Volume
		01	1	28 - 58	Master Note Shift	-24 - +24 [semitones]	40	
		02	4	00 - 00 00 - 07 00 - 0F 00 - 0F	Master Tune	-102.4 - +102.3[cent] 1st bit 3-0 → bit 15-12 2nd bit 3-0 → bit 11-8 3rd bit 3-0 → bit 7-4 4th bit 3-0 → bit 3-0	00 04 00 00	MIDI Master Tuning (04 00)
		06	1	00 - 01	Controller Reset	hold, reset	01	Determines the status of the controllers when switching between Voices.
		07	1	35 - 4B	Master Transpose	-11 - +11 (semitones)	40	
		08	1	3D - 43	Master Octave Shift	-3 - +3	40	
		09	1	00 - 01	Local Switch	off, on	01	
		0A	1	00 - 0F, 7F	Basic Channel	1 - 16, off	00	
		0B	1		reserved			
		0C	1		reserved			
		0D	1		reserved			
		0E	1		reserved			
		0F	1		reserved			
		10	1	00 - 01	Direct Monitor Switch Part	off, on	01	for the audio signal which is output via USB Audio.
		11	1	00 - 04	Keyboard Velocity Curve	normal, soft, hard, wide, fixed	00	
		12	1	01 - 7F	Keyboard Fixed Velocity	1 - 127	40	
		13	1		reserved			
		14	1	00 - 01	Receive/Transmit Bank Select	off, on	01	
		15	1	00 - 01	Receive/Transmit Program Change	off, on	01	
		16	1		reserved			
		17	1		reserved			
		18	1	00 - 01	MIDI In/Out	MIDI, USB	01	
		19	1		reserved			
		1A	1		reserved			
		1B	1	00 - 01	Knob Function Display Switch	off, on	01	
		1C	1	00 - 07	Knob Display Time	off, 1, 1.5, 2, 3, 4, 5, keep [sec]	02	
		1D	1	00 - 7F	WAV Volume	0 - 127	64	
		1E	1	00 - 7F	Startup	0 - 127	0	
		1F	1	00 - 12	Bulk Dump Interval	0, 10, 20, 30, 40, 50, 60, 70, 80, 90, 100, 200, 300, 400, 500, 600, 700, 800, 900ms	00	
		20	1		reserved		00	
		21	1		reserved			
		22	1	00 - 07	LCD Contrast	1 - 8	04	
		23	1		reserved			
		24	1		reserved			
		25	1		reserved			
		26	1		reserved			
		27	1	00-7F	DAW Level	0 - 127	64	
		28	1		reserved			
		29	1		reserved			
		2A	1	00 - 5F	RB Control Number	off, 1 - 95	16	
		2B	1	00 - 64	Foot Switch Assign	off, 1 - 95, arp sw, play/stop, PC inc, PC dec, octave reset	40	
		2C	1	00 - 5F	Control Number Assign 1	off, 1 - 95	10	
		2D	1	00 - 5F	Control Number Assign 2	off, 1 - 95	11	
		2E	1	00 - 5F	Control Number Breath Controller	off, 1 - 95	02	
		2F	1	00 - 5F	Control Number Foot Controller 1	off, 1 - 95	0B	
		30	1	00 - 5F	Control Number Foot Controller 2	off, 1 - 95	04	
		31	1	00 - 5F	Control Number Assignable Function 1	off, 1 - 95	56	
		32	1	00 - 5F	Control Number Assignable Function 2	off, 1 - 95	57	
		33	1	00 - 02	Foot Switch Pedal Select	FC3 (Half On), FC3 (Half Off), FC4/5	00	
		34	1		reserved		00	
		35	1		reserved			
		36	1		reserved			
		37	1		reserved			
		38	1		reserved			
		39	1		reserved			
		3A	1		reserved			
		3B	1		reserved			

### MIDI PARAMETER CHANGE TABLE (MULTI COMMON)

▒: The parameter can be controlled only by incoming MIDI messages.

Model ID = 7F 17

Address			Size	Data Range (HEX)	Parameter Name	Description	Default (HEX)	Notes
High	Mid	Low						
		3C	1		reserved			
		3D	1		reserved			
		3E	1		reserved			
		3F	1		reserved			
		40	1		reserved			
		41	1		reserved			
		42	1		reserved			
		43	1		reserved			

TOTAL SIZE = 68 44 (HEX)

Address			Size	Data Range (HEX)	Parameter Name	Description	Default (HEX)	Notes
High	Mid	Low						
00	05	00	1		reserved			
		01	1		reserved			
		02	1		reserved			
		03	1		reserved			
		04	1		reserved			
		05	1		reserved			
		06	1		reserved			
		07	1		reserved			
		08	1		reserved			
		09	1		reserved			
		0A	1		reserved			
		0B	1	00 - 02	MIDI Sync	internal, external, auto	02	for SEQ
		0C	1	00 - 01	MIDI Clock Out	off, on	01	for SEQ
		0D	1	00 - 03	Sequencer Control	off, in, out, in/out	03	for SEQ
		0E	1		reserved			
		0F	1		reserved			
		10	1		reserved			
		11	1		reserved			
		12	1		reserved			
		13	1		reserved			
		14	1		reserved			
		15	1		reserved			

TOTAL SIZE = 22 16 (HEX)

Address			Size	Data Range (HEX)	Parameter Name	Description	Default (HEX)	Notes
High	Mid	Low						
00	06	00	1	00 - 03	DAW Select	Cubase, LogicPro, Digital Performer, SONAR	00	
		01	1	00 - 02	Program Change Mode	remote, PC, auto	02	This is available only when "DAW Select" is set to "Cubase."
		02	1		reserved			
		03	1		reserved			
		04	1		reserved			
		05	1		reserved			

TOTAL SIZE = 6 06 (HEX)

Address			Size	Data Range (HEX)	Parameter Name	Description	Default (HEX)	Notes
High	Mid	Low						
36	00	00	1	20 - 7F	Performance Name 1	32 .. 127 (ASCII)	l	
		01	1	20 - 7E	Performance Name 2	32 .. 127 (ASCII)	n	
		02	1	20 - 7E	Performance Name 3	32 .. 127 (ASCII)	i	
		03	1	20 - 7E	Performance Name 4	32 .. 127 (ASCII)	t	
		04	1	20 - 7E	Performance Name 5	32 .. 127 (ASCII)	P	
		05	1	20 - 7E	Performance Name 6	32 .. 127 (ASCII)	e	
		06	1	20 - 7E	Performance Name 7	32 .. 127 (ASCII)	r	
		07	1	20 - 7E	Performance Name 8	32 .. 127 (ASCII)	f	
		08	1	20 - 7E	Performance Name 9	32 .. 127 (ASCII)		
		09	1	20 - 7E	Performance Name 10	32 .. 127 (ASCII)		
		0A	1		reserved			
		0B	1		reserved			
		0C	1		reserved			
		0D	1		reserved			
		0E	1		reserved			
		0F	1		reserved			
		10	1		reserved			
		11	1		reserved			
		12	1		reserved			
		13	1		reserved			
		14	1		reserved			
		15	1		reserved			
		16	1		reserved			
		17	1		reserved			
		18	1		reserved			
		19	1		reserved			
		1A	1		reserved			
		1B	1		reserved			
		1C	1		reserved			
		1D	1		reserved			
36	00	1E	1	0 - 2	Knob Function Select	tone 1, tone 2, tone 3	00	
		1F	1	01 - 7F	Pan	L63..C..R63	40	
		20	1		reserved			
		21	1	00 - 7F	AEG Attack Time	-64..+63	40	
		22	1	00 - 7F	AEG Decay Time	-64..+63	40	
		23	1	00 - 7F	AEG Sustain Level	-64..+63	40	
		24	1	00 - 7F	AEG Release Time	-64..+63	40	
		25	1		reserved			
		26	1		reserved			
		27	1		reserved			
		28	1		reserved			
		29	1		reserved			
		2A	1	00 - 7F	Cutoff Frequency	-64..+63	40	Part 1, 2 Offset
		2B	1	00 - 7F	Resonance	-64..+63	40	Part 1, 2 Offset
		2C	1	00 - 7F	Assign Knob 1	-64..+63	40	Part 1, 2 Offset
		2D	1	00 - 7F	Assign Knob 2	-64..+63	40	Part 1, 2 Offset
		2E	1		reserved			
		2F	1		reserved			
		30	1		reserved			
		31	1		reserved			
		32	1		reserved			
		33	1		reserved			
		34	1		reserved			
		35	1		reserved			
		36	1		reserved			
		37	1		reserved			
		38	1	00 - 7F	Volume	0..127	7F	
		39	1		reserved			
		3A	1		reserved			
		3B	1	00 - 7F	Reverb Send	0.. 127	7F	
		3C	1	00 - 7F	Chorus Send	0.. 127	7F	
36	00	3D	1		reserved			
		3E	1		reserved			
		3F	1		reserved			
		40	1		reserved			
		41	1	00 - 02	Keyboard Mode	single, layer, split	00	
		42	1	01 - 7F	Split Point	C#-2..G8	48	
		43	1		reserved			
		44	1	00 - 01	Part1-2 Link	off, on	00	
		45	1		reserved			
		46	1		reserved			
		47	2	00 - 01 00 - 4F	Pattern Number		00 00	
		49	1	00 - 01	Auto Key On Start	off, on	00	
		4A	1		reserved			
		4B	1		reserved			

Address			Size	Data Range (HEX)	Parameter Name	Description	Default (HEX)	Notes
High	Mid	Low						
		4C	4	00-00 00-03 00-C0 00-00	Insertion Part Sw	1st bit 6-0: reserved 2nd bit 6: reserved 2nd bit 5: reserved 2nd bit 4: reserved 2nd bit 3: reserved 2nd bit 2: reserved 2nd bit 1: off, on Part 16 2nd bit 0: off, on Part 15 3rd bit 6: off, on Part 14 3rd bit 5: off, on Part 13 3rd bit 4: off, on Part 12 3rd bit 3: off, on Part 11 3rd bit 2: off, on Part 10 3rd bit 1: off, on Part 9 3rd bit 0: off, on Part 8 4th bit 6: off, on Part 7 4th bit 5: off, on Part 6 4th bit 4: off, on Part 5 4th bit 3: off, on Part 4 4th bit 2: off, on Part 3 4th bit 1: off, on Part 2 4th bit 0: off, on Part 1	00 04 00 07	Up to four parts can be turned on simultaneously.

TOTAL SIZE = 80 50 (HEX)

Address			Size	Data Range (HEX)	Parameter Name	Description	Default (HEX)	Notes
High	Mid	Low						
36	30	00	1	00-05	ARP SF Select	SF1-SF6	00	
		01	1		reserved			
		02	2	00-02 05-2C	Tempo	5 ... 300	00 5A	
		04	1	00-01	ARP Common Switch	off, on	00	
		05	1	00-07	ARP Synchro Quantize Value	off, 32nd, 16th_Triplet, 16th, 8th_Triplet, 8th, 4th_Triplet, 4th	00	
		06	2	00-01 1C-64	ARP Quantize Strength Offset	-100 ... +100	01 00	
		08	2	00-01 1C-64	ARP Gate Time Rate Offset	-100 ... +100	01 00	
		0A	2	00-01 1C-64	ARP Velocity Rate Offset	-100 ... +100	01 00	
		0C	2	00-01 08-78	ARP Swing Offset	-120 ... +120	01 00	

TOTAL SIZE = 14 0E (HEX)

Address			Size	Data Range (HEX)	Parameter Name	Settings	Default (HEX)	Notes
High	Mid	Low						
36	01	00	2	00-7F 00-7F	Reverb Type	Refer to the "Effect Type List."	01 00	Rev-X Hall
		02	1	00-7F	Preset Number		00	Basic
		03	1		reserved			
		04	2	00-7F 00-7F	Reverb Parameter 1	Refer to the "Effect Parameter List."		Init value for Rev-X Hall / Basic
		06	2	00-7F 00-7F	Reverb Parameter 2	:		Init value for Rev-X Hall / Basic
		08	2	00-7F 00-7F	Reverb Parameter 3	:		Init value for Rev-X Hall / Basic
		0A	2	00-7F 00-7F	Reverb Parameter 4	:		Init value for Rev-X Hall / Basic
		0C	2	00-7F 00-7F	Reverb Parameter 5	:		Init value for Rev-X Hall / Basic
		0E	2	00-7F 00-7F	Reverb Parameter 6	:		Init value for Rev-X Hall / Basic
		10	2	00-7F 00-7F	Reverb Parameter 7	:		Init value for Rev-X Hall / Basic
		12	2	00-7F 00-7F	Reverb Parameter 8	:		Init value for Rev-X Hall / Basic
		14	2	00-7F 00-7F	Reverb Parameter 9	:		Init value for Rev-X Hall / Basic
		16	2	00-7F 00-7F	Reverb Parameter 10	:		Init value for Rev-X Hall / Basic
		18	2	00-7F 00-7F	Reverb Parameter 11	:		Init value for Rev-X Hall / Basic
		1A	2	00-7F 00-7F	Reverb Parameter 12	:		Init value for Rev-X Hall / Basic
		1C	2	00-7F 00-7F	Reverb Parameter 13	:		Init value for Rev-X Hall / Basic
		1E	2	00-7F 00-7F	Reverb Parameter 14	:		Init value for Rev-X Hall / Basic
		20	2	00-7F 00-7F	Reverb Parameter 15	:		Init value for Rev-X Hall / Basic
		22	2	00-7F 00-7F	Reverb Parameter 16	:		Init value for Rev-X Hall / Basic
		24	1	00-7F	Reverb Return	--dB...0dB...+6dB (0...96...127)	40	
		25	1	01-7F	Reverb Pan	L63...C...R63	40	

TOTAL SIZE = 38 26 (HEX)

Address			Size	Data Range (HEX)	Parameter Name	Settings	Default (HEX)	Notes
High	Mid	Low						
36	02	00	2	00-7F 00-7F	Chorus Type	Refer to the "Effect Type List."	03 10	2 Modulator
		02	1	00-7F	Preset Number		00	Basic
		03	1		reserved			
		04	2	00-7F 00-7F	Chorus Parameter 1	Refer to the "Effect Parameter List."		Init value for G Chorus / Basic
		06	2	00-7F 00-7F	Chorus Parameter 2	:		Init value for G Chorus / Basic
		08	2	00-7F 00-7F	Chorus Parameter 3	:		Init value for G Chorus / Basic
		0A	2	00-7F 00-7F	Chorus Parameter 4	:		Init value for G Chorus / Basic
		0C	2	00-7F 00-7F	Chorus Parameter 5	:		Init value for G Chorus / Basic
		0E	2	00-7F 00-7F	Chorus Parameter 6	:		Init value for G Chorus / Basic
		10	2	00-7F 00-7F	Chorus Parameter 7	:		Init value for G Chorus / Basic
		12	2	00-7F 00-7F	Chorus Parameter 8	:		Init value for G Chorus / Basic
		14	2	00-7F 00-7F	Chorus Parameter 9	:		Init value for G Chorus / Basic
		16	2	00-7F 00-7F	Chorus Parameter 10	:		Init value for G Chorus / Basic
		18	2	00-7F 00-7F	Chorus Parameter 11	:		Init value for G Chorus / Basic
		1A	2	00-7F 00-7F	Chorus Parameter 12	:		Init value for G Chorus / Basic
		1C	2	00-7F 00-7F	Chorus Parameter 13	:		Init value for G Chorus / Basic
		1E	2	00-7F 00-7F	Chorus Parameter 14	:		Init value for G Chorus / Basic
		20	2	00-7F 00-7F	Chorus Parameter 15	:		Init value for G Chorus / Basic
		22	2	00-7F 00-7F	Chorus Parameter 16	:		Init value for G Chorus / Basic
		24	1	00-7F	Chorus Return	--dB...0dB...+6dB (0...96...127)	60	
		25	1	01-7F	Chorus Pan	L63...C...R63	40	
		26	1	00-7F	Send Chorus To Reverb	--dB...0dB (0...127)	00	
		27	1		reserved			

TOTAL SIZE = 40 28 (HEX)

Address			Size	Data Range (HEX)	Parameter Name	Settings	Default (HEX)	Notes
High	Mid	Low						
36	10	00	1	34-4C	EQ Low Gain	-12 - +12 [dB]	40	
		01	1	04-28	EQ Low Frequency	32 - 2000 [Hz]	0C	When setting the EQ shape peaking type, the range is 63Hz - 2.0kHz.
		02	1	01-78	EQ Low Q	0.1 - 12.0	07	When setting the EQ shape shelving type, this is not available.
		03	1	00-01	EQ Low Shape	shelv, peak	00	
		04	1	34-4C	EQ Low-Mid Gain	-12 - +12 [dB]	40	
		05	1	0E-36	EQ Low-Mid Frequency	100 - 10.0 [kHz]	14	
		06	1	01-78	EQ Low-Mid Q	0.1 - 12.0	07	
		07	1		reserved		01	
		08	1	34-4C	EQ Mid Gain	-12 - +12 [dB]	40	
		09	1	0E-36	EQ Mid Frequency	100 - 10.0 [kHz]	1C	
		0A	1	01-78	EQ Mid Q	0.1 - 12.0	07	
		0B	1		reserved		01	
		0C	1	34-4C	EQ High-Mid Gain	-12 - +12 [dB]	40	
		0D	1	0E-36	EQ High-Mid Frequency	100 - 10.0 [kHz]	2C	
		0E	1	01-78	EQ High-Mid Q	0.1 - 12.0	07	
		0F	1		reserved		01	
		10	1	34-4C	EQ High Gain	-12 - +12 [dB]	40	
		11	1	1C-3A	EQ High Frequency	0.5 - 16.0 [kHz]	34	
		12	1	01-78	EQ High Q	0.1 - 12.0	07	When setting the EQ shape shelving type, this is not available.
		13	1	00-01	EQ High Shape	shelv, peak	00	

TOTAL SIZE = 20 14 (HEX)

Address			Size	Data Range (HEX)	Parameter Name	Description	Default (HEX)	Notes
High	Mid	Low						
37	pp	00	1		reserved			
		01	1	00 - 7F	Bank Select MSB	0 - 127	3F	
		02	1	00 - 7F	Bank Select LSB	0 - 127	00	
		03	1	00 - 7F	Program Number	1 - 128	00	
		04	1	00 - 0F, 7F	Receive Channel	1..16, off (7F)	Part No.	
		05	1	00 - 01	Mono/Poly	mono, poly	01	
		06	1	01 - 7F	Velocity Limit Low	1 - 127	01	
		07	1	01 - 7F	Velocity Limit High	1 - 127	7F	
		08	1	00 - 7F	Note Limit Low	C-2 - G8	00	
		09	1	00 - 7F	Note Limit High	C-2 - G8	7F	
		0A	1	10 - 4C	Pitch Bend Range Upper	-48 - +12	42	
		0B	1	10 - 4C	Pitch Bend Range Lower	-48 - +12	3E	
		0C	1	00 - 7F	Velocity Sensitivity Depth	0 - 127	40	
		0D	1	00 - 7F	Velocity Sensitivity Offset	0 - 127	40	
		0E	1	00 - 7F	Volume	0 - 127	64	
		0F	1	01 - 7F	Pan	L63 - C - R63	40	
		10	2	00 - 0F, 00 - 0F	Detune	-12.8 - +12.7 [Hz] 1st bit 3-0 → bit 7-4, 2nd bit 3-0 → bit 3-0	08 00 (80)	
		12	1	00 - 7F	Reverb Send	0 - 127	0C	
		13	1	00 - 7F	Chorus Send	0 - 127	00	
		14	1		reserved			
		15	1	00 - 7F	Dry Level	0 - 127	7F	
		16	1	28 - 58	Note Shift	-24 - +24 [semitones]	40	
		17	1		reserved			
		18	1	00 - 01	Param. with Voice	off, on	01	
		19	1		reserved			
		1A	1	00 - 01	Portamento Switch	off, on	00	
		1B	1	00 - 7F	Portamento Time	0 - 127	40	
		1C	1	00 - 01	Portamento Mode	fingered, fulltime	01	
		1D	1		reserved			
		1E	1		reserved			
37	pp	1F	1	18 - 7C	Receive PB Receive AT Receive Program Change Receive Bank Select Receive Control Change reserved	bit 6: off, on PB bit 5: off, on AT bit 4: off, on Program Change bit 3: off, on Bank Select bit 2: off, on Control Change bit 1-0: reserved	7C	
		20	1	02 - 6F	Receive FC2 Receive FC1 reserved Receive MW Receive Sustain/Sostenuto Receive Pan Receive Volume/Expression	bit 6: off, on FC2 bit 5: off, on FC1 bit 4: reserved bit 3: off, on MW bit 2: off, on Sustain/Sostenuto bit 1: off, on Pan bit 0: off, on Volume/Expression	6F	
		21	1	00 - 7F	Receive Assignable Switch 2 Receive Assignable Switch 1 Receive Assignable Knob 2 Receive Assignable Knob 1 Receive RB Receive BC Receive FS	bit 6: off, on ASW2 bit 5: off, on ASW1 bit 4: off, on AKN2 bit 3: off, on AKN1 bit 2: off, on RB bit 1: off, on BC bit 0: off, on FS	7F	
37	pp	22	1	00 - 01	Voice Element Pan	off, on	01	
		23	1	00 - 7F	AEG Attack Time	-64 - +63	40	
		24	1	00 - 7F	AEG Decay Time	-64 - +63	40	
		25	1	00 - 7F	AEG Sustain Level	-64 - +63	40	Only for Normal Voice
		26	1	00 - 7F	AEG Release Time	-64 - +63	40	Only for Normal Voice
		27	1	00 - 7F	FEG Attack Time	-64 - +63	40	Only for Normal Voice
		28	1	00 - 7F	FEG Decay Time	-64 - +63	40	Only for Normal Voice
		29	1	00 - 7F	FEG Sustain Level	-64 - +63	40	Only for Normal Voice
		2A	1	00 - 7F	FEG Release Time	-64 - +63	40	Only for Normal Voice
		2B	1	00 - 7F	FEG Depth	-64 - +63	40	Only for Normal Voice
		2C	1		reserved			
		2D	1	00 - 7F	Filter Cutoff Frequency	-64 - +63	40	
		2E	1	00 - 7F	Filter Resonance	-64 - +63	40	
37	pp	2F	1		reserved			
		30	1		reserved			
		31	1		reserved			
		32	1		reserved			
		33	1		reserved			
		34	1		reserved			
		35	1		reserved			

Address			Size	Data Range (HEX)	Parameter Name	Description	Default (HEX)	Notes
High	Mid	Low						
		36	1		reserved			
		37	1		reserved			
		38	1		reserved			
		39	1		reserved			
		3A	1		reserved			
		3B	1		reserved			
37	pp	3C	1	00 - 7F	Assignable Knob 1 Value	-64 - +63	40	
		3D	1	00 - 7F	Assignable Knob 2 Value	-64 - +63	40	

TOTAL SIZE = 62 3E (HEX)  
pp = part number 00 - 0F

Address			Size	Data Range (HEX)	Parameter Name	Description	Default (HEX)	Notes
High	Mid	Low						
38	pp	00	1	00 - 01	ARP Switch	off, on	00	
		01	1	00 - 01	ARP MIDI Out Switch	off, on	00	
		02	1	00 - 0F	ARP Transmit Channel	1..16	Part No.	
		03	1	00 - 01	ARP Play Only	off, on	00	Determines whether or not the current Part plays only the note events of the Arpeggio playback
		04	1		reserved			
		05	1		reserved			
		06	1	00 - 01	ARP Loop	off, on	01	
		07	1	00 - 02	ARP Hold	sync-off, off, on	01	
		08	1	00 - 06	ARP Unit Multiply	50%, 66%, 75%, 100%, 133%, 150%, 200%	03	
		09	1	00 - 7F	ARP Note Limit Low	C-2..G8	00	
		0A	1	00 - 7F	ARP Note Limit High	C-2..G8	7F	
		0B	1	01 - 7F	ARP Velocity Limit Low	1 - 127	01	
		0C	1	01 - 7F	ARP Velocity Limit High	1 - 127	7F	
		0D	1	00 - 04	ARP Key Mode	sort, thru, direct, sort+direct, thru+direct	00	
		0E	1	00 - 01	ARP Velocity Mode	original, thru	00	
		0F	1	00 - 01	ARP Change Timing	realtime, measure	01	
		10	1	01 - 07	ARP Quantize Value	32th, 16th_Triplet, 16th, 8th_Triplet, 8th, 4th_Triplet, 4th	03	
		11	1	00 - 64	ARP Quantize Strength	0..100%	00	
		12	2	00 - 01, 00 - 48	ARP Velocity Rate	0..200%	00 64	
		14	2	00 - 01, 00 - 48	ARP Gate Time Rate	0..200%	00 64	
		16	1		reserved			
		17	1		reserved			
		18	1		reserved			
		19	1		reserved			
		1A	2	00 - 01, 08 - 78	ARP Swing	-120 ... 0 ... +120	01 00	
		1C	1	00 - 7F	ARP Accent Velocity Threshold	off, 1 ... 127	40	
		1D	1	00 - 01	ARP Accent Start Quantize	off, on	01	
		1E	1	3D - 43	ARP Octave Range	-3 ... 0 ... +3	40	
		1F	1	36 - 4A	ARP Output Octave Shift	-10 ... 0 ... +10	40	
		20	1	00 - 01	ARP Trigger Mode	gate, toggle	00	
		21	1	00 - 01	ARP Random SFX	off, on	01	
		22	1	00 - 01	ARP Random SFX Key On Control	off, on	01	
		23	1	00 - 7F	ARP Random SFX Velocity Offset	-64 ... 0 ... +63	40	
		24	2	00 - 01, 1C - 64	ARP Assign Velocity Rate Offset SF1	-100 ... 0 ... +100	01 00	
		26	2	00 - 01, 1C - 64	ARP Assign Gate Time Offset SF1	-100 ... 0 ... +100	01 00	
		28	2	00 - 01, 1C - 64	ARP Assign Velocity Rate Offset SF2	-100 ... 0 ... +100	01 00	
		2A	2	00 - 01, 1C - 64	ARP Assign Gate Time Offset SF2	-100 ... 0 ... +100	01 00	
		2C	2	00 - 01, 1C - 64	ARP Assign Velocity Rate Offset SF3	-100 ... 0 ... +100	01 00	
		2E	2	00 - 01, 1C - 64	ARP Assign Gate Time Offset SF3	-100 ... 0 ... +100	01 00	
		30	2	00 - 01, 1C - 64	ARP Assign Velocity Rate Offset SF4	-100 ... 0 ... +100	01 00	
		32	2	00 - 01, 1C - 64	ARP Assign Gate Time Offset SF4	-100 ... 0 ... +100	01 00	
		34	2	00 - 01, 1C - 64	ARP Assign Velocity Rate Offset SF5	-100 ... 0 ... +100	01 00	
		36	2	00 - 01, 1C - 64	ARP Assign Gate Time Offset SF5	-100 ... 0 ... +100	01 00	
		38	2	00 - 01, 1C - 64	ARP Assign Velocity Rate Offset SF6	-100 ... 0 ... +100	01 00	
		3A	2	00 - 01, 1C - 64	ARP Assign Gate Time Offset SF6	-100 ... 0 ... +100	01 00	

Address			Size	Data Range (HEX)	Parameter Name	Description	Default (HEX)	Notes
High	Mid	Low						
	3C		2	00 - 07 00 - 67	ARP SF1 Assign Type	off, 001 ... 999	00 53	PfArp1
	3E		2	00 - 07 00 - 67	ARP SF2 Assign Type	off, 001 ... 999	00 00	off
	40		2	00 - 07 00 - 67	ARP SF3 Assign Type	off, 001 ... 999	00 00	off
	42		2	00 - 07 00 - 67	ARP SF4 Assign Type	off, 001 ... 999	00 00	off
	44		2	00 - 07 00 - 67	ARP SF5 Assign Type	off, 001 ... 999	00 00	off
	46		2	00 - 07 00 - 67	ARP SF6 Assign Type	off, 001 ... 999	00 00	off

TOTAL SIZE = 72 48 (HEX)  
pp = part number 00 - 0F

### MIDI PARAMETER CHANGE TABLE (NORMAL VOICE COMMON)

: The parameter can be controlled only by incoming MIDI messages.

Model ID = 7F 17

Address			Size	Data Range (HEX)	Parameter Name	Description	Default (HEX)	Notes
High	Mid	Low						
40	00	00	1	20 - 7E	Voice Name 1	32 .. 126 (ASCII)		l
		01	1	20 - 7E	Voice Name 2	32 .. 126 (ASCII)		n
		02	1	20 - 7E	Voice Name 3	32 .. 126 (ASCII)		i
		03	1	20 - 7E	Voice Name 4	32 .. 126 (ASCII)		t
		04	1	20 - 7E	Voice Name 5	32 .. 126 (ASCII)		i
		05	1	20 - 7E	Voice Name 6	32 .. 126 (ASCII)		a
		06	1	20 - 7E	Voice Name 7	32 .. 126 (ASCII)		l
		07	1	20 - 7E	Voice Name 8	32 .. 126 (ASCII)		i
		08	1	20 - 7E	Voice Name 9	32 .. 126 (ASCII)		z
		09	1	20 - 7E	Voice Name 10	32 .. 126 (ASCII)		e
		0A	1		reserved			
		0B	1		reserved			
		0C	1		reserved			
		0D	1		reserved			
		0E	1		reserved			
		0F	1		reserved			
		10	1		reserved			
		11	1		reserved			
		12	1		reserved			
		13	1		reserved			
		14	1		reserved			
		15	1		reserved			
		16	1		reserved			
		17	1		reserved			
		18	1	00 - 11	Voice Category (Main)	0, 1, 2, 3, 4, 5, 6, 7, 8, 9, 10, 11, 13, 14, 15, 17		11 (NoAsg)
		1A	1		reserved			
		1B	1		reserved			
		1C	1		reserved			
		1D	1		reserved			
40	00	1E	1		reserved			
		27	1		reserved			
		2C	1		reserved			
		2D	1		reserved			
		2E	1		reserved			
		2F	1		reserved			
		30	1		reserved			
		31	1		reserved			
		32	1		reserved			
		33	1		reserved			
		34	1		reserved			
		35	1		reserved			
		36	1		reserved			
		37	1		reserved			
		3A	1		reserved			
		3B	1		reserved			
		3C	1		reserved			
		3D	1		reserved			
		3E	1		reserved			
40	00	3F	1	00 - 7F	Volume	0 - 127		7F
		40	1	00 - 01	Key Assign Mode	single, multi		01
		41	1		reserved			
		42	1	00 - 0C	Micro Tuning Scale	Equal, PureMajor, PureMinor, Werckmeister, Kimberger, Vallot&Yng, 1/4Shift, 1/4Tone, 1/8Tone, Indian, Arabic1, Arabic2, Arabic3,		00
		43	1	00 - 0B	Micro Tuning Root	C - B		00
		44	1		reserved			
		45	1		reserved			
		46	1		reserved			
		47	1		reserved			
		48	1		reserved			
		49	1	00 - 03	Portamento Time Mode	rate 1, time 1, rate 2, time 2		00
		4A	1	00 - 07	Legato Slope	0 - 7		00
		4B	1		reserved			
		4C	1		reserved			
40	00	4D	1		reserved			
		4E	1		reserved			
		4F	1		reserved			

TOTAL SIZE = 80 50 (HEX)

Address			Size	Data Range (HEX)	Parameter Name	Description	Default (HEX)	Notes
High	Mid	Low						
40	03	00	2	00-7F 00-7F	Insertion A Type	Refer to the "Effect Type List."	00 00	
		02	1	00-7F	Preset Number		00	
		03	1		reserved			
		04	2	00-7F 00-7F	Insertion A Parameter 1	Refer to the "Effect Parameter List."	00 00	
		06	2	00-7F 00-7F	Insertion A Parameter 2	:	00 00	
		08	2	00-7F 00-7F	Insertion A Parameter 3	:	00 00	
		0A	2	00-7F 00-7F	Insertion A Parameter 4	:	00 00	
		0C	2	00-7F 00-7F	Insertion A Parameter 5	:	00 00	
		0E	2	00-7F 00-7F	Insertion A Parameter 6	:	00 00	
		10	2	00-7F 00-7F	Insertion A Parameter 7	:	00 00	
		12	2	00-7F 00-7F	Insertion A Parameter 8	:	00 00	
		14	2	00-7F 00-7F	Insertion A Parameter 9	:	00 00	
		16	2	00-7F 00-7F	Insertion A Parameter 10	:	00 00	
		18	2	00-7F 00-7F	Insertion A Parameter 11	:	00 00	
		1A	2	00-7F 00-7F	Insertion A Parameter 12	:	00 00	
		1C	2	00-7F 00-7F	Insertion A Parameter 13	:	00 00	
		1E	2	00-7F 00-7F	Insertion A Parameter 14	:	00 00	
		20	2	00-7F 00-7F	Insertion A Parameter 15	:	00 00	
		22	2	00-7F 00-7F	Insertion A Parameter 16	:	00 00	

TOTAL SIZE = 36 24 (HEX)

Address			Size	Data Range (HEX)	Parameter Name	Description	Default (HEX)	Notes
High	Mid	Low						
40	06	00	1	00-7F	Controller Set1 Depth	-64 - +63	40	
		01	1	00-0E	Controller Set1 Source	0:PB, 1:MW, 3:AT, 4:FC, 5:FS, 6:RB, 7:BC, 8:AKN1, 9:AKN2, 12:FC2, 13:ASW1, 14:ASW2	01	
		02	2	00-00 00-65	Controller Set1 Destination	0 - 16, 65 - 101 (Refer to the "Control List")	00 00	
		04	1	00-7F	Controller Set2 Depth	-64 - +63	40	
		05	1	00-0E	Controller Set2 Source	0:PB, 1:MW, 3:AT, 4:FC, 5:FS, 6:RB, 7:BC, 8:AKN1, 9:AKN2, 12:FC2, 13:ASW1, 14:ASW2	01	
		06	2	00-00 00-65	Controller Set2 Destination	0 - 16, 65 - 101 (Refer to the "Control List")	00 00	
		08	1	00-7F	Controller Set3 Depth	-64 - +63	40	
		09	1	00-0E	Controller Set3 Source	0:PB, 1:MW, 3:AT, 4:FC, 5:FS, 6:RB, 7:BC, 8:AKN1, 9:AKN2, 12:FC2, 13:ASW1, 14:ASW2	01	
		0A	2	00-00 00-65	Controller Set3 Destination	0 - 16, 65 - 101 (Refer to the "Control List")	00 00	
		0C	1	00-7F	Controller Set4 Depth	-64 - +63	40	
		0D	1	00-0E	Controller Set4 Source	0:PB, 1:MW, 3:AT, 4:FC, 5:FS, 6:RB, 7:BC, 8:AKN1, 9:AKN2, 12:FC2, 13:ASW1, 14:ASW2	08	
		0E	2	00-00 00-65	Controller Set4 Destination	0 - 16, 65 - 101 (Refer to the "Control List")	00 00	
		10	1	00-7F	Controller Set5 Depth	-64 - +63	40	
		11	1	00-0E	Controller Set5 Source	0:PB, 1:MW, 3:AT, 4:FC, 5:FS, 6:RB, 7:BC, 8:AKN1, 9:AKN2, 12:FC2, 13:ASW1, 14:ASW2	09	
		12	2	00-00 00-65	Controller Set5 Destination	0 - 16, 65 - 101 (Refer to the "Control List")	00 00	
		14	1	00-7F	Controller Set6 Depth	-64 - +63	40	
		15	1	00-0E	Controller Set6 Source	0:PB, 1:MW, 3:AT, 4:FC, 5:FS, 6:RB, 7:BC, 8:AKN1, 9:AKN2, 12:FC2, 13:ASW1, 14:ASW2	03	
		16	2	00-00 00-65	Controller Set6 Destination	0 - 16, 65 - 101 (Refer to the "Control List")	00 00	
40	06	18	1	00-05	LFO Phase	0, 90, 120, 180, 240, 270	00	
		19	1	00-0C	LFO Wave	tri, tri+, sawup, sawdown, squ1/4, squ1/3, squ, squ2/3, squ3/4, trpzd, S/ H1, S/H2, user	00	
		1A	1	00-3F	LFO Speed	0 - 63	20	This is available only when Tempo Sync is set to off.

Address			Size	Data Range (HEX)	Parameter Name	Description	Default (HEX)	Notes
High	Mid	Low						
		1B	1	05 - 18	LFO Tempo Speed	16th, 8th/3, 16th., 8th, 4th/3, 8th., 4th, 2th/3, 4th., 2nd, Whole/3, 2nd., 4thX4, 4thX5, 4thX6, 4thX7, 4thX8, 4thX16, 4thX32, 4thX64	0B	This is available only when Tempo Sync is set to on.
		1C	1	00 - 01	LFO Tempo Sync	off, on	00	
		1D	1	00 - 7F	LFO Delay Time	0 - 127	00	
		1E	1	00 - 7F	LFO Fade In Time	0 - 127	00	
		1F	1	00 - 7F	LFO Hold Time	0 - 126, hold	7F	
		20	1	00 - 7F	LFO Fade Out Time	0 - 127	40	
		21	1	00 - 02	LFO Key On Reset	off, each-on, 1st-on	02	
		22	1	00 - 01	LFO Play Mode	LOOP, ONE SHOT	00	
		23	1	00 - 7F	LFO Set 1 Depth	0 - 127	00	
		24	1	00 - 45	LFO Set 1 Destination	Refer to the "Control List."	02	
		25	1	00 - 7F	LFO Set 2 Depth	0 - 127	00	
		26	1	00 - 45	LFO Set 2 Destination	Refer to the "Control List."	04	
		27	1	00 - 7F	LFO Set 3 Depth	0 - 127	00	
		28	1	00 - 45	LFO Set 3 Destination	Refer to the "Control List."	04	
		29	1	00 - 06	User Wave Total Step	2, 3, 4, 6, 8, 12, 16	06	
		2A	1	00 - 03	User Wave Slope	OFF, UP, DOWN, UP&DOWN	00	
		2B	1	00 - 7F	User Wave Step Value 1	0 - 127	40	
		2C	1	00 - 7F	User Wave Step Value 2	0 - 127	40	
		2D	1	00 - 7F	User Wave Step Value 3	0 - 127	40	
		2E	1	00 - 7F	User Wave Step Value 4	0 - 127	40	
		2F	1	00 - 7F	User Wave Step Value 5	0 - 127	40	
		30	1	00 - 7F	User Wave Step Value 6	0 - 127	40	
		31	1	00 - 7F	User Wave Step Value 7	0 - 127	40	
		32	1	00 - 7F	User Wave Step Value 8	0 - 127	40	
		33	1	00 - 7F	User Wave Step Value 9	0 - 127	40	
		34	1	00 - 7F	User Wave Step Value 10	0 - 127	40	
		35	1	00 - 7F	User Wave Step Value 11	0 - 127	40	
		36	1	00 - 7F	User Wave Step Value 12	0 - 127	40	
		37	1	00 - 7F	User Wave Step Value 13	0 - 127	40	
		38	1	00 - 7F	User Wave Step Value 14	0 - 127	40	
		39	1	00 - 7F	User Wave Step Value 15	0 - 127	40	
		3A	1	00 - 7F	User Wave Step Value 16	0 - 127	40	
		3B	1	00 - 7F	LFO Random Speed Depth	0 - 127	00	

TOTAL SIZE = 60 3C (HEX)

Address			Size	Data Range (HEX)	Parameter Name	Description	Default (HEX)	Notes
High	Mid	Low						
41	ee	00	1	00 - 01	Element Switch	off, on	01 (only EL1)	
		01	1		reserved			
		02	2	00 - 0C 00 - 7F	Wave Number	1 - 1566	00 01	
		04	1	00 - 07	Element Group Number	1 - 8	00	
		05	1	01 - 7F	Pan	L63 - C - R63	40	
		06	1	00 - 7F	Random Pan Depth	0 - 127	00	
		07	1	00 - 7F	Alternate Pan Depth	L64 - 0 - R63	40	
		08	1	00 - 7F	Scaling Pan Depth	-64 - +63	40	
		09	1	00 - 07	XA Control	normal, legato, key off sound, wave cycle, wave random, all AF off, AF 1 on, AF 2 on	00	
		0A	1	00 - 7F	Note Limit Low	0 - 127	00	
		0B	1	00 - 7F	Note Limit High	0 - 127	7F	
		0C	1	01 - 7F	Velocity Limit Low	1 - 127	01	
		0D	1	01 - 7F	Velocity Limit High	1 - 127	7F	
		0E	1	00 - 7F	Velocity Cross Fade	0 - 127	00	
		0F	1	00 - 7F	Key On Delay	0 - 127	00	This is available only when Tempo Sync is set to off.
		10	1	00 - 01	Key On Delay Tempo Sync	off, on	00	
		11	1	00 - 01	Insertion Effect	thru, ins	01	
		12	2	00 - 00 00 - 3F	Controller Set Element Sw	1st bit 6-0: reserved 2nd bit 6: reserved 2nd bit 5: off, on set 6 2nd bit 4: off, on set 5 2nd bit 3: off, on set 4 2nd bit 2: off, on set 3 2nd bit 1: off, on set 2 2nd bit 0: off, on set 1	00 3F	
		14	2	00 - 00 00 - 07	LFO Set Element Sw	1st bit 6-0: reserved 2nd bit 6-3: reserved 2nd bit 2: off, on box 3 2nd bit 1: off, on box 2 2nd bit 0: off, on box 1	00 07	

Address			Size	Data Range (HEX)	Parameter Name	Description	Default (HEX)	Notes
High	Mid	Low						
		16	1	05 – 15	Key On Delay Tempo	16th, 8th/3, 16th., 8th, 4th/3, 8th., 4th, 2th/3, 4th., 2nd, Whole/3, 2nd., 4thX4, 4thX5, 4,thX6, 4thX7, 4thX8	0B	This is available only when Tempo Sync is set to on.
		17	1	00 – 01	Half Damper Switch	off, on	00	
		18	1		reserved			
		19	1		reserved			
41	ee	1A	1	00 – 7F	Element Level	0 – 127	7F	
		1B	1	00 – 7F	Level Velocity Sensitivity	-64 – +63	40	
		1C	1	00 – 7F	Level Velocity Sensitivity Offset	0 – 127	00	
		1D	1	00 – 04	Level Velocity Sensitivity Curve	00 – 04 	03	
		1E	1	00 – 7F	AEG Attack Time	0 – 127	00	
		1F	1	00 – 7F	AEG Decay1 Time	0 – 127	40	
		20	1	00 – 7F	AEG Decay2 Time	0 – 127	40	
		21	1	00 – 7F	Half Damper Time	0 – 127	7F	
		22	1	00 – 7F	AEG Release Time	0 – 127	32	
		23	1	00 – 7F	AEG Init Level	0 – 127	00	
		24	1	00 – 7F	AEG Attack Level	0 – 127	7F	
		25	1	00 – 7F	AEG Decay1 Level	0 – 127	7F	
		26	1	00 – 7F	AEG Decay2 Level	0 – 127	7F	
		27	1		reserved			
		28	1	00 – 04	AEG Time Velocity Segment	ATK, ATK+DCY, DCY, ATK+RLS, ALL	04	
		29	1	00 – 7F	AEG Time Velocity Sensitivity	-64 – +63	40	
		2A	1	00 – 7F	AEG Time Key Follow Sensitivity	-64 – +63	40	
		2B	1	00 – 7F	AEG Time Key Follow Center Key	C-2 – G8	18	
		2C	1	00 – 7C	Level Scaling Break Point 1	C-2 – E8	24	BP1<BP2 <BP3<BP4
		2D	1	01 – 7D	Level Scaling Break Point 2	C#-2 – F8	30	BP1<BP2 <BP3<BP4
		2E	1	02 – 7E	Level Scaling Break Point 3	D-2 – F#8	3C	BP1<BP2 <BP3<BP4
		2F	1	03 – 7F	Level Scaling Break Point 4	D#-2 – G8	48	BP1<BP2 <BP3<BP4
		30	2	00 – 01 00 – 7F	Level Scaling Offset 1	-128 – +127	01 00	
		32	2	00 – 01 00 – 7F	Level Scaling Offset 2	-128 – +127	01 00	
		34	2	00 – 01 00 – 7F	Level Scaling Offset 3	-128 – +127	01 00	
		36	2	00 – 01 00 – 7F	Level Scaling Offset 4	-128 – +127	01 00	
		38	1	00 – 7F	Level Key Follow Sensitivity	-200% – +200%	40	
		39	1	00 – 7F	AEG Time Key Follow Sensitivity Release Adjustment	-64 – +63	40	
		3A	1	10 – 70	Coarse Tune	-48 – +48	40	
		3B	1	00 – 7F	Fine Tune	-64 – +63	40	
		3C	1	00 – 7F	Pitch Velocity Sensitivity	-64 – +63	40	
		3D	1	00 – 7F	Random Pitch Depth	0 – 127	00	
		3E	1	00 – 7F	Pitch Key Follow Sensitivity	-200% – +200%	60	
		3F	1	00 – 7F	Pitch Key Follow Sensitivity Center Key	C-2 – G8	3C	
		40	1	00 – 7F	Pitch Fine Scaling Sensitivity	-64 – +63	40	
		41	1	00 – 7F	PEG Hold Time	0 – 127	00	
		42	1	00 – 7F	PEG Attack Time	0 – 127	28	
		43	1	00 – 7F	PEG Decay1 Time	0 – 127	40	
		44	1	00 – 7F	PEG Decay2 Time	0 – 127	40	
		45	1	00 – 7F	PEG Release Time	0 – 127	40	
		46	2	00 – 01 00 – 7F	PEG Hold Level	-128 – +127 (-4800 – +4800 [cent])	01 00	
		48	2	00 – 01 00 – 7F	PEG Attack Level	-128 – +127 (-4800 – +4800 [cent])	01 00	
		4A	2	00 – 01 00 – 7F	PEG Decay1 Level	-128 – +127 (-4800 – +4800 [cent])	01 00	
		4C	2	00 – 01 00 – 7F	PEG Decay2 Level	-128 – +127 (-4800 – +4800 [cent])	01 00	
		4E	2	00 – 01 00 – 7F	PEG Release Level	-128 – +127 (-4800 – +4800 [cent])	01 00	
		50	1	00 – 7F	PEG Depth	-64 – +63	54	
		51	1	00 – 04	PEG Time Velocity Sensitivity Segment	ATK, ATK+DCY, DCY, ATK+RLS, ALL	04	
		52	1	00 – 7F	PEG Time Velocity Sensitivity	-64 – +63	40	
		53	1	00 – 7F	PEG Depth Velocity Sensitivity	-64 – +63	40	
		54	1	00 – 04	PEG Depth Velocity Sensitivity Curve	00 – 04 	02	
		55	1	00 – 7F	PEG Time Key Follow Sensitivity	-64 – +63	40	
		56	1	00 – 7F	PEG Time Key Follow Sensitivity Center Key	C-2 – G8	3C	
		57	1		reserved			

TOTAL SIZE = 88 58 (HEX)  
ee = element number 00 – 07

Address			Size	Data Range (HEX)	Parameter Name	Description	Default (HEX)	Notes
High	Mid	Low						
42	ee	00	1	00 – 15	Filter Type	0:LPF24, 2:LPF18, 4:LPF12, 5:LPF6, 21:THRU	04	
		01	1		reserved			
		02	2	00 – 01 00 – 7F	Filter Cutoff Frequency	0 – 255	01 20	
		04	1	00 – 7F	Filter Cutoff Velocity Sensitivity	-64 – +63	40	
		05	1	08 – 47	Filter Resonance	8 – 71	08	
		06	1	00 – 7F	Filter Resonance Velocity Sensitivity	-64 – +63	40	
		07	1		reserved			
		08	1		reserved			
		09	1		reserved			
		0A	1		reserved			
		0B	1		reserved			
		0C	2	00 – 01 00 – 7F	Filter Gain	0 – 255	01 66	
		0E	1	00 – 7F	FEG Hold Time	0 – 127	00	
		0F	1	00 – 7F	FEG Attack Time	0 – 127	00	
		10	1	00 – 7F	FEG Decay1 Time	0 – 127	40	
		11	1	00 – 7F	FEG Decay2 Time	0 – 127	40	
		12	1	00 – 7F	FEG Release Time	0 – 127	50	
		13	1		reserved			
		14	2	00 – 01 00 – 7F	FEG Hold Level	-128 – +127 (-9600 – +9600 [cent])	01 00	
		16	2	00 – 01 00 – 7F	FEG Attack Level	-128 – +127 (-9600 – +9600 [cent])	01 7F	
		18	2	00 – 01 00 – 7F	FEG Decay1 Level	-128 – +127 (-9600 – +9600 [cent])	01 7F	
		1A	2	00 – 01 00 – 7F	FEG Decay2 Level	-128 – +127 (-9600 – +9600 [cent])	01 7F	
		1C	2	00 – 01 00 – 7F	FEG Release Level	-128 – +127 (-9600 – +9600 [cent])	01 00	
		1E	1	00 – 7F	FEG Depth	-64 – +63	68	
		1F	1	00 – 04	FEG Time Velocity Sensitivity Segment	ATK, ATK+DCY, DCY, ATK+RLS, ALL	04	
		20	1	00 – 7F	FEG Time Velocity Sensitivity	-64 – +63	40	
		21	1	00 – 7F	FEG Depth Velocity Sensitivity	-64 – +63	40	
		22	1	00 – 04	FEG Depth Velocity Sensitivity Curve	00 – 04 	02	
		23	1	00 – 7F	FEG Time Key Follow Sensitivity	-64 – +63	40	
		24	1	00 – 7F	FEG Time Key Follow Sensitivity Center Key	C-2 – G8	18	
		25	1	00 – 7C	Filter Cutoff Scaling Break Point 1	C-2 – E8	24	BP1<BP2 <BP3<BP4
		26	1	01 – 7D	Filter Cutoff Scaling Break Point 2	C#-2 – F8	30	BP1<BP2 <BP3<BP4
		27	1	02 – 7E	Filter Cutoff Scaling Break Point 3	D-2 – F#8	3C	BP1<BP2 <BP3<BP4
		28	1	03 – 7F	Filter Cutoff Scaling Break Point 4	D#-2 – G8	48	BP1<BP2 <BP3<BP4
		29	1		reserved			
		2A	2	00 – 01 00 – 7F	Filter Cutoff Scaling Offset 1	-128 – +127	01 00	
		2C	2	00 – 01 00 – 7F	Filter Cutoff Scaling Offset 2	-128 – +127	01 00	
		2E	2	00 – 01 00 – 7F	Filter Cutoff Scaling Offset 3	-128 – +127	01 00	
		30	2	00 – 01 00 – 7F	Filter Cutoff Scaling Offset 4	-128 – +127	01 00	
		32	1	00 – 7F	Filter Cutoff Key Follow Sensitivity	-200% – +200%	4A	
		33	1		reserved			
42	ee	34	1		reserved			
		35	1		reserved			
		36	1		reserved			
		37	1		reserved			
		38	1		reserved			
		39	1		reserved			
		3A	1		reserved			
		3B	1		reserved			
		3C	1		reserved			
		3D	1		reserved			
42	ee	3E	1	00 – 01	LFO Wave	saw, tri	01	
		3F	1	00 – 01	LFO Key On Reset	off, on	01	
		40	1	00 – 7F	LFO Key On Delay Time	0 – 127	00	
		41	1	00 – 3F	LFO Speed	1 – 62	26	
		42	1	00 – 7F	LFO AMod Depth	0 – 119	00	
		43	1	00 – 5F	LFO PMod Depth	0 – 95	00	
		44	1	00 – 7F	LFO FMod Depth	0 – 127	00	
		45	1	00 – 7F	LFO Fade In Time	0 – 127	00	



### MIDI PARAMETER CHANGE TABLE (DRUM VOICE COMMON)

☐: The parameter can be controlled only by incoming MIDI messages.

Model ID = 7F 17

Address			Size	Data Range (HEX)	Parameter Name	Description	Default (HEX)	Notes
High	Mid	Low						
42	ee	46	1	00 - 05	Common LFO Phase Offset	+0, +90, +120, +180, +240, +270	00	
		47	1	00 - 7F	Common LFO Box1 Depth Ratio	0 - 127	7F	
		48	1	00 - 7F	Common LFO Box2 Depth Ratio	0 - 127	7F	
		49	1	00 - 7F	Common LFO Box3 Depth Ratio	0 - 127	7F	

TOTAL SIZE = 74 4A (HEX)  
ee = element number 00 - 07

Address			Size	Data Range (HEX)	Parameter Name	Description	Default (HEX)	Notes
High	Mid	Low						
46	00	00	1	20 - 7E	Voice Name 1	32 .. 126 (ASCII)	i	
		01	1	20 - 7E	Voice Name 2	32 .. 126 (ASCII)	n	
		02	1	20 - 7E	Voice Name 3	32 .. 126 (ASCII)	i	
		03	1	20 - 7E	Voice Name 4	32 .. 126 (ASCII)	t	
		04	1	20 - 7E	Voice Name 5	32 .. 126 (ASCII)	i	
		05	1	20 - 7E	Voice Name 6	32 .. 126 (ASCII)	a	
		06	1	20 - 7E	Voice Name 7	32 .. 126 (ASCII)	l	
		07	1	20 - 7E	Voice Name 8	32 .. 126 (ASCII)	i	
		08	1	20 - 7E	Voice Name 9	32 .. 126 (ASCII)	z	
		09	1	20 - 7E	Voice Name 10	32 .. 126 (ASCII)	e	
		0A	1		reserved			
		0B	1		reserved			
		0C	1		reserved			
		0D	1		reserved			
		0E	1		reserved			
		0F	1		reserved			
		10	1		reserved			
		11	1		reserved			
		12	1		reserved			
		13	1		reserved			
		14	1		reserved			
		15	1		reserved			
		16	1		reserved			
		17	1		reserved			
		18	1	0C - 11	Voice Category 1 (Main)	12, 17	11 (NoAsg)	
		19	1		reserved			
		1A	1		reserved			
		1B	1		reserved			
		1C	1		reserved			
		1D	1		reserved			
46	00	1E	1		reserved			
		1F	1		reserved			
		20	1		reserved			
		21	1		reserved			
		22	1		reserved			
		23	1		reserved			
		24	1		reserved			
		25	1		reserved			
		26	1		reserved			
		27	1		reserved			
		28	1		reserved			
		29	1		reserved			
		2A	1		reserved			
		2B	1		reserved			
		2C	1		reserved			
		2D	1		reserved			
		2E	1		reserved			
		2F	1		reserved			
		30	1		reserved			
		31	1		reserved			
		32	1		reserved			
		33	1		reserved			
		34	1		reserved			
		35	1		reserved			
		36	1		reserved			
		37	1		reserved			
		38	1		reserved			
		39	1		reserved			
		3A	1		reserved			
		3B	1		reserved			
		3C	1		reserved			
		3D	1		reserved			
		3E	1		reserved			
46	00	3F	1	00 - 7F	Volume	0 - 127	7F	
		40	1		reserved			
		41	1		reserved			
		42	1		reserved			
		43	1		reserved			
		44	1		reserved			
46	00	45	1		reserved			
		46	1	00 - 7F	Ins-EF Reverb Send Level	0 - 127	00	
		47	1	00 - 7F	Ins-EF Chorus Send Level	0 - 127	00	

TOTAL SIZE = 72 48 (HEX)

Address			Size	Data Range (HEX)	Parameter Name	Description	Default (HEX)	Notes
High	Mid	Low						
46	03	00	2	00 - 7F 00 - 7F	Insertion A Type	Refer to the "Effect Type List."	00 00	
	02	1	1	00 - 7F	Preset Number		00	Basic
	03	1	1		reserved			
	04	2	2	00 - 7F 00 - 7F	Insertion A Parameter 1	Refer to the "Effect Parameter List."	00 00	
	06	2	2	00 - 7F 00 - 7F	Insertion A Parameter 2	:	00 00	
	08	2	2	00 - 7F 00 - 7F	Insertion A Parameter 3	:	00 00	
	0A	2	2	00 - 7F 00 - 7F	Insertion A Parameter 4	:	00 00	
	0C	2	2	00 - 7F 00 - 7F	Insertion A Parameter 5	:	00 00	
	0E	2	2	00 - 7F 00 - 7F	Insertion A Parameter 6	:	00 00	
	10	2	2	00 - 7F 00 - 7F	Insertion A Parameter 7	:	00 00	
	12	2	2	00 - 7F 00 - 7F	Insertion A Parameter 8	:	00 00	
	14	2	2	00 - 7F 00 - 7F	Insertion A Parameter 9	:	00 00	
	16	2	2	00 - 7F 00 - 7F	Insertion A Parameter 10	:	00 00	
	18	2	2	00 - 7F 00 - 7F	Insertion A Parameter 11	:	00 00	
	1A	2	2	00 - 7F 00 - 7F	Insertion A Parameter 12	:	00 00	
	1C	2	2	00 - 7F 00 - 7F	Insertion A Parameter 13	:	00 00	
	1E	2	2	00 - 7F 00 - 7F	Insertion A Parameter 14	:	00 00	
	20	2	2	00 - 7F 00 - 7F	Insertion A Parameter 15	:	00 00	
	22	2	2	00 - 7F 00 - 7F	Insertion A Parameter 16	:	00 00	

TOTAL SIZE = 36 24 (HEX)

Address			Size	Data Range (HEX)	Parameter Name	Description	Default (HEX)	Notes
High	Mid	Low						
46	08	00	1	00 - 7F	Controller Set1 Depth	-64 - +63	40	
	01	1	1	00 - 0E	Controller Set1 Source	0:PB, 1:MW, 3:AT, 4:FC, 5:FS, 6:RB, 7:BC, 8:AKN1, 9:AKN2, 12:FC2, 13:ASW1, 14:ASW2	01	
	02	2	2	00 - 00 00 - 20, 00 - 00 41 - 43	Controller Set1 Destination	0 - 16, 65 - 67	00 00	
	04	1	1	00 - 7F	Controller Set2 Depth	-64 - +63	40	
	05	1	1	00 - 0E	Controller Set2 Source	0:PB, 1:MW, 3:AT, 4:FC, 5:FS, 6:RB, 7:BC, 8:AKN1, 9:AKN2, 12:FC2, 13:ASW1, 14:ASW2	01	
	06	2	2	00 - 00 00 - 20, 00 - 00 41 - 43	Controller Set2 Destination	0 - 16, 65 - 67	00 00	
	08	1	1	00 - 7F	Controller Set3 Depth	-64 - +63	40	
	09	1	1	00 - 0E	Controller Set3 Source	0:PB, 1:MW, 3:AT, 4:FC, 5:FS, 6:RB, 7:BC, 8:AKN1, 9:AKN2, 12:FC2, 13:ASW1, 14:ASW2	01	
	0A	2	2	00 - 00 00 - 20, 00 - 00 41 - 43	Controller Set3 Destination	0 - 16, 65 - 67	00 00	
	0C	1	1	00 - 7F	Controller Set4 Depth	-64 - +63	40	
	0D	1	1	00 - 0E	Controller Set4 Source	0:PB, 1:MW, 3:AT, 4:FC, 5:FS, 6:RB, 7:BC, 8:AKN1, 9:AKN2, 12:FC2, 13:ASW1, 14:ASW2	08	
	0E	2	2	00 - 00 00 - 20, 00 - 00 41 - 43	Controller Set4 Destination	0 - 16, 65 - 67	00 00	
	10	1	1	00 - 7F	Controller Set5 Depth	-64 - +63	40	
	11	1	1	00 - 0E	Controller Set5 Source	0:PB, 1:MW, 3:AT, 4:FC, 5:FS, 6:RB, 7:BC, 8:AKN1, 9:AKN2, 12:FC2, 13:ASW1, 14:ASW2	09	
	12	2	2	00 - 00 00 - 20, 00 - 00 41 - 43	Controller Set5 Destination	0 - 16, 65 - 67	00 00	
	14	1	1	00 - 7F	Controller Set6 Depth	-64 - +63	40	
	15	1	1	00 - 0E	Controller Set6 Source	0:PB, 1:MW, 3:AT, 4:FC, 5:FS, 6:RB, 7:BC, 8:AKN1, 9:AKN2, 12:FC2, 13:ASW1, 14:ASW2	03	
	16	2	2	00 - 00 00 - 20, 00 - 00 41 - 43	Controller Set6 Destination	0 - 16, 65 - 67	00 00	

TOTAL SIZE = 24 18 (HEX)

Address			Size	Data Range (HEX)	Parameter Name	Description	Default (HEX)	Notes
High	Mid	Low						
47	ee	00	1	00 - 01	Element Switch	off, on	01	
		01	1		reserved			
		02	2	00 - 0C 00 - 7F	Wave Number	1 - 1566	08 3C	
		04	1	00 - 01	Receive Note Off	off, on	00	
		05	1	00 - 01	Key Assign Mode	single, multi	01	*1
		06	1	00 - 7F	Alternate Group	0: off, 1 - 127	00	
		07	1	01 - 7F	Pan	L63 - C - R63	40	
		08	1	00 - 7F	Random Pan Depth	0 - 127	00	
		09	1	00 - 7F	Alternate Pan Depth	L64 - 0 - R63	40	
		0A	1	00 - 7F	Reverb Send Level	0 - 127	5A	
		0B	1	00 - 7F	Chorus Send Level	0 - 127	00	
		0C	1	00 - 01	Insertion Effect	thru, ins	00	
		0D	1		reserved			
47	ee	0E	1	00 - 7F	Element Level	0 - 127	7F	
		0F	1	00 - 7F	Level Velocity Sensitivity	-64 - +63	40	
		10	1		reserved			
		11	1	00 - 7F	AEG Attack Time	0 - 127	00	
		12	1	00 - 7F	AEG Decay1 Time	0 - 127	60	
		13	1	00 - 7F	AEG Decay2 Time	0 - 126, hold	50	
		14	1		reserved			
		15	1		reserved			
		16	1		reserved			
		17	1	00 - 7F	AEG Decay1 Level	0 - 127	7F	
		18	1		reserved			
		19	1		reserved			
47	ee	1A	1	10 - 70	Coarse Tune	-48 - +48	40	
		1B	1	00 - 7F	Fine Tune	-64 - +63	40	
		1C	1	00 - 7F	Pitch Velocity Sensitivity	-64 - +63	40	
		1D	1		reserved			
47	ee	1E	2	00 - 01 00 - 7F	LPF Cutoff Frequency	0 - 255	01 7F	
		20	1	00 - 7F	LPF Cutoff Velocity Sensitivity	-64 - +63	40	
		21	1	08 - 47	LPF Resonance	8 - 71	08	
		22	1		reserved			
		23	1		reserved			
		24	1		reserved			
		25	1		reserved			
		26	1		reserved			
		27	1		reserved			
		28	1		reserved			
		29	1		reserved			
		2A	1		reserved			
		2B	1		reserved			
		2C	1		reserved			
		2D	1		reserved			

TOTAL SIZE = 46 2E (HEX)  
ee = element number (00 - 48: C0 - C6)

Function...		Transmitted	Recognized	Remarks
Basic Channel	Default Changed	1 - 16 1 - 16	1 - 16 1 - 16	Memorized
Mode	Default Messages Altered	3 X *****	1 1 - 4 (m=1) *2 X	Memorized
Note Number : True voice		0 - 127 *****	0 - 127 0 - 127	Transpose
Velocity	Note ON Note OFF	O 9nH, v=1-127 X 9nH, v=0	O v=1-127 X	
After Touch	Key's Ch's	X O *3	X O *1	
Pitch Bend		O	O *1	
Control Change	0,32	O	O *1	Bank Select
	1,7,10,11	O	O *1	
	5	X	O *1	Portamento Time
	6,38	X	O *1	Data Entry
	64	O	O *1	Sustain Sw
	65	X	O *1	Portamento Sw
	66	X	O *1	Sostenuto
	71-75	O	O *1	Sound Controller
	91,93	O	O *1	Effect Depth
	96-97	X	O *1	RPN Inc,Dec
100-101	X	O *1	RPN LSB,MSB	
1-95	O	O *1	Assignable Cntrl	
Prog Change : True #		O 0 - 127 *****	O 0 - 127 0 - 127	
System Exclusive		O	O	
Common : Song Pos. : Song Sel. : Tune		X X X	X X X	
System : Clock Real Time : Commands		X X	O X	
Aux : All Sound Off : Reset All Cntrls : Local ON/OFF Mes- : All Notes OFF sages: Active Sense : Reset		X X X X O X	O (120,126,127) O (121) X O (123-125) O X	

Notes: \*1 Recognized if receive switch is on.  
 \*2 "m" is always treated as "1" regardless of its actual value.  
 \*3 Even though the keyboard itself doesn't support after touch control, after touch data can be transmitted via the Arpeggio function when a User Arpeggio with after touch data is selected.

Mode 1 : OMNI ON , POLY                      Mode 2 : OMNI ON , MONO                      O : Yes  
 Mode 3 : OMNI OFF, POLY                      Mode 4 : OMNI OFF, MONO                      X : No

Function...	Transmitted	Recognized	Remarks
Basic Channel Default Changed	1 - 16 X	X X	Memorized
Mode Default Messages Altered	X X *****	X X X	
Note Number : True voice	0 - 127 *****	X	
Velocity Note ON Note OFF	O 9nH, v=1-127 X 9nH, v=0	X X	
After Touch Key's Ch's	O O	X X	
Pitch Bend	O	X	
Control Change 0-121	O	X	
Prog Change : True #	O 0 - 127 *****	X	
System Exclusive	O	X	
Common : Song Pos. : Song Sel. : Tune	O *1 O *1 X	X X X	
System : Clock Real Time : Commands	O *2 O *1	O *3 O *1	
Aux : All Sound Off : Reset All Cntrls : Local ON/OFF Mes- : All Notes OFF sages: Active Sense : Reset	O O O X X X	X X X X X X	
Notes: *1 if Seq Control in/out is enabled. *2 if MIDI Clock Out is on. *3 if MIDI Sync is MIDI.			

Mode 1 : OMNI ON , POLY  
 Mode 3 : OMNI OFF, POLY

Mode 2 : OMNI ON , MONO  
 Mode 4 : OMNI OFF, MONO

O : Yes  
 X : No

Yamaha Web Site (English only)  
<https://www.yamahasyth.com/>  
Yamaha Downloads  
<http://download.yamaha.com/>