



データリスト

MUSIC PRODUCTION SYNTHESIZER

Integrated Sampling Sequencer / Modular Synthesis Plug-in System / Real-time External Control Surface

MOTIF ES6

MOTIF ES7

MOTIF ES8

目次

ボイスリスト	2
ドラムボイスリスト	8
ドラムボイスネームリスト	8
ドラムキットアサインリスト	9
ウェーブフォームリスト	22
パフォーマンスリスト	25
エフェクトタイプリスト	26
エフェクトパラメーターリスト	28
エフェクトデータアサインテーブル	36
コントロールリスト	42
ミキシングテンプレートリスト	42
アルペジオタイプリスト	43
プリセットフレーズリスト	55
リモートコントロール機能一覧表	58
MIDIについて	63
MIDIデータフォーマット	63
MIDIデータテーブル	67
MIDIインプリメンテーションチャート	86

NEW
FIT
TO
YOU

ボイスリスト

PRE1 (MSB=63, LSB=0)

Number	Voice Name	Category	Sub Category
1	A01	Full Grand	Ap A PIANO
2	A02	BriteGrand	Ap A PIANO
3	A03	Dark Grand	Ap A PIANO
4	A04	RomanticPf	Ap A PIANO
5	A05	Glasgow	Ap A PIANO
6	A06	Mono Grand	Ap A PIANO
7	A07	Tacky	Ap A PIANO
8	A08	Ragtime	Ap A PIANO
9	A09	Aggressive	Ap A PIANO
10	A10	HousePiano	Ap A PIANO
11	A11	Home Piano	Ap A PIANO
12	A12	Old Blues	Ap A PIANO
13	A13	1968	Ap A PIANO
14	A14	Mono Comp	Ap A PIANO
15	A15	78rpmPiano	Ap A PIANO
16	A16	BalladKey	Ap OTHER
17	B01	80s Layer	Ap OTHER
18	B02	BaladStack	Ap OTHER
19	B03	PianoBack	Ap OTHER
20	B04	Piano&Strg	Ap OTHER
21	B05	Piano&Ooh	Ap OTHER
22	B06	HardCP80	Ap E GRAND
23	B07	CP80&EP	Kb E.PIANO
24	B08	Yama EP's	Kb E.PIANO
25	B09	DynoStrait	Kb E.PIANO
26	B10	ChorusDyno	Kb E.PIANO
27	B11	ChorusHard	Kb E.PIANO
28	B12	80th Boost	Kb E.PIANO
29	B13	R&B Soft	Kb E.PIANO
30	B14	Neo Soul	Kb E.PIANO
31	B15	HrdVintage	Kb E.PIANO
32	B16	Phaser Vin	Kb E.PIANO
33	C01	1983	Kb E.PIANO
34	C02	Soft Case	Kb E.PIANO
35	C03	Early 70's	Kb E.PIANO
36	C04	Vintage74	Kb E.PIANO
37	C05	Sweetness	Kb E.PIANO
38	C06	VintagFase	Kb E.PIANO
39	C07	Max Tine	Kb E.PIANO
40	C08	Early Fusn	Kb E.PIANO
41	C09	VintagCase	Kb E.PIANO
42	C10	Contempo	Kb E.PIANO
43	C11	Mr. Klank	Kb E.PIANO
44	C12	E.PianoPad	Kb OTHER
45	C13	BellChorus	Kb E.PIANO
46	C14	FM E.Piano	Kb E.PIANO
47	C15	BalladEP	Kb E.PIANO
48	C16	SparkleTin	Kb E.PIANO
49	D01	TX802	Kb E.PIANO
50	D02	Bell DX	Kb E.PIANO
51	D03	Dark DX	Kb E.PIANO
52	D04	Beauty DX	Kb E.PIANO
53	D05	GS Tines	Kb E.PIANO
54	D06	AnaPiano	Kb E.PIANO
55	D07	AhrAml	Kb E.PIANO
56	D08	Tine EP	Kb E.PIANO
57	D09	Analog EP	Kb E.PIANO
58	D10	WurliTrem	Kb E.PIANO
59	D11	WurliAmped	Kb E.PIANO
60	D12	Wurlix	Kb E.PIANO
61	D13	Vintg Clav	Kb CLAVI
62	D14	SuperClavi	Kb CLAVI
63	D15	StereoClav	Kb CLAVI
64	D16	HollowClav	Kb CLAVI

PRE2 (MSB=63, LSB=1)

Number	Voice Name	Category	Sub Category
1	A01	LeftManual	Or ELEC.
2	A02	DrawContri	Or ELEC.
3	A03	GosplSplit	Or ELEC.
4	A04	Soulemn	Or ELEC.
5	A05	Fully	Or ELEC.
6	A06	Progressy	Or ELEC.
7	A07	Crunchy	Or ELEC.
8	A08	Rocky	Or ELEC.
9	A09	DistFull	Or ELEC.
10	A10	Early Bird	Or ELEC.
11	A11	AnaDrwrbr	Or ELEC.
12	A12	Tiny	Or ELEC.
13	A13	Paddy	Or ELEC.
14	A14	Mellow Org	Or ELEC.
15	A15	ResoDrbrs	Or ELEC.
16	A16	OrgPad	Or OTHER
17	B01	Panther	Or ELEC.
18	B02	SawCombo	Or OTHER
19	B03	1967 Keys	Or ELEC.
20	B04	YD-45C	Or ELEC.
21	B05	Compact	Or ELEC.
22	B06	Spanish	Gt A.GTR
23	B07	Nylon+Harm	Gt A.GTR
24	B08	SimplSteel	Gt A.GTR
25	B09	SteelCmprs	Gt A.GTR
26	B10	Mute&Slide	Gt A.GTR
27	B11	Ac&Harmnic	Gt A.GTR
28	B12	SteelSwtch	Gt A.GTR
29	B13	Mega Steel	Gt A.GTR
30	B14	2StlStrngs	Gt A.GTR
31	B15	12Strings	Gt A.GTR
32	B16	12Str Mono	Gt A.GTR
33	C01	Mega 12str	Gt A.GTR
34	C02	El 12Strng	Gt E.GTR
35	C03	Strange 12	Gt E.GTR
36	C04	CleanEl&Ac	Gt A.GTR
37	C05	Jazzy Pick	Gt E.GTR
38	C06	JazzGtMelo	Gt E.GTR
39	C07	Velo Jazz	Gt E.GTR
40	C08	2CoilAmp1	Gt E.GTR
41	C09	2CoilAmp2	Gt E.GTR
42	C10	60sClean1	Gt E.GTR
43	C11	60sClean2	Gt E.GTR
44	C12	CleanSlap	Gt E.GTR
45	C13	Distant	Gt E.GTR
46	C14	SomeHair	Gt E.GTR
47	C15	MiddyTrem	Gt E.GTR
48	C16	CompDream	Gt E.GTR
49	D01	RotoGtr	Gt E.GTR
50	D02	Alt Rocker	Gt E.GTR
51	D03	Spanky	Gt E.GTR
52	D04	Vin Strum	Gt E.GTR
53	D05	1CoilChors	Gt E.GTR
54	D06	VinTremolo	Gt E.GTR
55	D07	HittlHard	Gt E.GTR
56	D08	PaddyClean	Gt E.GTR
57	D09	Policia	Gt E.GTR
58	D10	Rockabilly	Gt E.GTR
59	D11	Rotator	Gt E.GTR
60	D12	Baby	Gt E.GTR
61	D13	TouchWah	Gt E.GTR
62	D14	Mega Clean	Gt E.GTR
63	D15	OverDriven	Gt E.GTR
64	D16	TexBoogie	Gt E.GTR

PRE3 (MSB=63, LSB=2)

Number	Voice Name	Category	Sub Category
65	E01	DynamicAmp	Gt E.GTR
66	E02	Drive	Gt E.GTR
67	E03	SnakeFingr	Gt E.GTR
68	E04	Feedbacker	Gt E.GTR
69	E05	KilrWhammy	Gt E.GTR
70	E06	Voodoooman	Gt E.GTR
71	E07	CrunchyGtr	Gt E.GTR
72	E08	SmallAmp	Gt E.GTR
73	E09	LatinLover	Gt E.GTR
74	E10	Still Blue	Gt E.GTR
75	E11	59 Combo	Gt E.GTR
76	E12	BlueLead	Gt E.GTR
77	E13	Chugga	Gt E.GTR
78	E14	Metal Mute	Gt E.GTR
79	E15	OverTheTop	Gt E.GTR
80	E16	Beater	Gt E.GTR
81	F01	Mega OvrDv	Gt E.GTR
82	F02	Mega Dist	Gt E.GTR
83	F03	Upright	Ba A.BASS
84	F04	Groovin'Bs	Ba A.BASS
85	F05	VeloGrowl	Ba A.BASS
86	F06	Mega Acous	Ba A.BASS
87	F07	FingerPBs	Ba E.BASS
88	F08	PrecFW	Ba E.BASS
89	F09	RoundWound	Ba E.BASS
90	F10	ActiveP	Ba E.BASS
91	F11	FretBuzzy	Ba E.BASS
92	F12	3 Sixty Bs	Ba E.BASS
93	F13	S-VeeTee	Ba E.BASS
94	F14	GnarlyBs	Ba E.BASS
95	F15	Reggae	Ba E.BASS
96	F16	BaCement	Ba E.BASS
97	G01	MidRngFngR	Ba E.BASS
98	G02	HybridBs1	Ba E.BASS
99	G03	HybridBs2	Ba E.BASS
100	G04	PrecAmped	Ba E.BASS
101	G05	FingBsAmp	Ba E.BASS
102	G06	PBasFngDst	Ba E.BASS
103	G07	FuzzBass	Ba E.BASS
104	G08	MegaFngHrm	Ba E.BASS
105	G09	Velo Bass	Ba E.BASS
106	G10	SlapSwitch	Ba E.BASS
107	G11	Mega Fingr	Ba E.BASS
108	G12	Mega Slap	Ba E.BASS
109	G13	Chilli	Ba E.BASS
110	G14	PickOpen	Ba E.BASS
111	G15	PickPull	Ba E.BASS
112	G16	PickMuteDr	Ba E.BASS
113	H01	New Pick	Ba E.BASS
114	H02	Mega Pick	Ba E.BASS
115	H03	FretlesDry	Ba E.BASS
116	H04	FretlsSolo	Ba E.BASS
117	H05	Mega Frtls	Ba E.BASS
118	H06	Violin 1	St SOLO
119	H07	Violin 2	St SOLO
120	H08	Fiddler	St SOLO
121	H09	Viola 1	St SOLO
122	H10	Viola 2	St SOLO
123	H11	Cello 1	St SOLO
124	H12	Cello 2	St SOLO
125	H13	Solo 1	St SOLO
126	H14	Solo 2	St SOLO
127	H15	SoloSpicat	St SOLO
128	H16	ContraBass	St SOLO

Number	Voice Name	Category	Sub Category
1	A01	2 Violins	St ENSEM.
2	A02	2 Violas	St ENSEM.
3	A03	2 Cellos	St ENSEM.
4	A04	Cello Duet	St ENSEM.
5	A05	2 Solos	St ENSEM.
6	A06	CelloEnsem	St ENSEM.
7	A07	ViolaEnsem	St ENSEM.
8	A08	ViolnEnsem	St ENSEM.
9	A09	CB. Sect	St ENSEM.
10	A10	SmallSect1	St ENSEM.
11	A11	SmallSect2	St ENSEM.
12	A12	MediumEns	St ENSEM.
13	A13	Violin Mix	St ENSEM.
14	A14	Spicalines	St ENSEM.
15	A15	Hard Bow	St ENSEM.
16	A16	BackGround	St ENSEM.
17	B01	Hophead	St ENSEM.
18	B02	HoleString	St ENSEM.
19	B03	Ens Mix	St ENSEM.
20	B04	Hard Ens	St ENSEM.
21	B05	VeloString	St ENSEM.
22	B06	BigStrings	St ENSEM.
23	B07	Lush	St ENSEM.
24	B08	MutedSect	St ENSEM.
25	B09	BigSymphny	St ENSEM.
26	B10	3 8ve Lush	St ENSEM.
27	B11	3 8ve Hard	St ENSEM.
28	B12	BeautyHarp	Gt PLUCK
29	B13	StereoHarp	Gt PLUCK
30	B14	PizzEns	St ENSEM.
31	B15	PizzSect	St ENSEM.
32	B16	Oct Pizz	St ENSEM.
33	C01	OrchstrlPI	St ENSEM.
34	C02	PWMStrings	St SYNTH
35	C03	Lightpad	St SYNTH
36	C04	Noble Pad	St SYNTH
37	C05	Romantic	St SYNTH
38	C06	Stringy	St SYNTH
39	C07	MournStrgs	St SYNTH
40	C08	JP Strings	St SYNTH
41	C09	3Osc Vintg	St SYNTH
42	C10	Superstrgs	St SYNTH
43	C11	VP Soft	St SYNTH
44	C12	PWM Simple	St SYNTH
45	C13	DbiChorus	St SYNTH
46	C14	Old String	St ENSEM.
47	C15	PhaseStrgs	St SYNTH
48	C16	Oct String	St SYNTH
49	D01	3 Octave	St SYNTH
50	D02	StrMachine	St SYNTH
51	D03	SS-40	St SYNTH
52	D04	TapeStrngs	St SYNTH
53	D05	SlowSuckr	St SYNTH
54	D06	TrpRomantc	Br SOLO
55	D07	PiccoloTpt	Br SOLO
56	D08	DynoTrumpt	Br SOLO
57	D09	SoftJazzTp	Br SOLO
58	D10	BaroqTrpt	Br SOLO
59	D11	Phase Mute	Br SOLO
60	D12	Legend	Br SOLO
61	D13	2 Trumpets	Br SECTION
62	D14	Fluegel	Br SOLO
63	D15	JazyFlugel	Br SOLO
64	D16	Trombone	Br SOLO

Number	Voice Name	Category	Sub Category
65	E01	BlownBone	Br SOLO
66	E02	BoneSectn	Br SECTION
67	E03	FrenchHorn	Br SOLO
68	E04	FtHornSect	Br SECTION
69	E05	Big French	Br SECTION
70	E06	MovieHorns	Br SECTION
71	E07	Symphonic	Br SECTION
72	E08	Symphony	Br SECTION
73	E09	SymphoBrs	Br SECTION
74	E10	SlowAttack	Br SECTION
75	E11	SoftVeloBr	Br SECTION
76	E12	Soft Brass	Br SECTION
77	E13	Velo Brass	Br SECTION
78	E14	SmlBrSect	Br SECTION
79	E15	Fanfare	Br SECTION
80	E16	Big&Brite	Br SECTION
81	F01	PowerSect	Br SECTION
82	F02	VeloFalls	Br SECTION
83	F03	StabDance	Br SECTION
84	F04	Mono Sect	Br SECTION
85	F05	Sforzando	Br SECTION
86	F06	Big Band 1	Br SECTION
87	F07	Big Band 2	Br SECTION
88	F08	SaxBigBand	Br SECTION
89	F09	Hybrid	Br SECTION
90	F10	HybridSect	Br SECTION
91	F11	VeloSynBr	Br SECTION
92	F12	CS-90	Br SYNTH
93	F13	FM Brass	Br SYNTH
94	F14	Thinth	Br SYNTH
95	F15	QuietBrass	Br SYNTH
96	F16	Big Syn	Br SYNTH
97	G01	ObStuff	Br SYNTH
98	G02	OberBrass	Br SYNTH
99	G03	OberHorns	Br SYNTH
100	G04	ObSoft	Br SYNTH
101	G05	T Brass	Br SYNTH
102	G06	BigSquish	Br SYNTH
103	G07	Slow PWM	Br SYNTH
104	G08	Soft 5th	Br SYNTH
105	G09	Timeless	Br SYNTH
106	G10	After 1984	Br SYNTH
107	G11	Prophy	Br SYNTH
108	G12	Kustom	Br SYNTH
109	G13	Soprano	Rp SAX/RD
110	G14	SoprnoSoft	Rp SAX/RD
111	G15	Alto Vib	Rp SAX/RD
112	G16	Velo Alto	Rp SAX/RD
113	H01	Tenor Soft	Rp SAX/RD
114	H02	TenorSax1	Rp SAX/RD
115	H03	Hip Bari	Rp SAX/RD
116	H04	4 Brothers	Rp SAX/RD
117	H05	Sweet Oboe	Rp SAX/RD
118	H06	SmoothOboe	Rp SAX/RD
119	H07	BassoonVib	Rp SAX/RD
120	H08	Clarinet 1	Rp SAX/RD
121	H09	WW Trio	Rp SAX/RD
122	H10	DbiRdQuart	Rp SAX/RD
123	H11	C Flute	Rp PIPE
124	H12	SweetFlute	Rp PIPE
125	H13	TapeFlute	Rp PIPE
126	H14	IrishPipe	Rp PIPE
127	H15	BluzDistrt	Rp OTHER
128	H16	Campfire	Rp OTHER

PRE4 (MSB=63, LSB=3)

Number	Voice Name	Category	Sub Category
1	A01	TootsyHarp	Rp OTHER
2	A02	WoodyHarp	Rp OTHER
3	A03	Santur	Gt PLUCK
4	A04	Baglama	Gt PLUCK
5	A05	Kotoun	Gt PLUCK
6	A06	Kanun	Gt PLUCK
7	A07	Bazouk	Gt PLUCK
8	A08	Bouzouki	Gt PLUCK
9	A09	Oud	Gt PLUCK
10	A10	SazFeeze	Gt PLUCK
11	A11	IndianFlai	Pd BRIGHT
12	A12	Tamburax	Pd BRIGHT
13	A13	WhereAml?	Gt PLUCK
14	A14	Sakura	Gt PLUCK
15	A15	Nomad	Gt PLUCK
16	A16	Ney	Rp PIPE
17	B01	Kawala	Rp PIPE
18	B02	Shukran	Co SPLIT
19	B03	Zurna	Rp OTHER
20	B04	Pungi	Rp OTHER
21	B05	Shehnai 1	Rp OTHER
22	B06	Digido	Rp PIPE
23	B07	Gagaku	Co SPLIT
24	B08	Kodo	Cp PERC.
25	B09	Djerimbe	Cp PERC.
26	B10	Mbira	Cp PERC.
27	B11	GlassMbira	Cp PERC.
28	B12	Tabla	Dr PERC.
29	B13	Tabla 2	Dr PERC.
30	B14	Tabla Zone	Dr PERC.
31	B15	Udu	Dr PERC.
32	B16	Djembe	Dr PERC.
33	C01	Dhol	Dr PERC.
34	C02	Kemence	St SOLO
35	C03	Kemen Wet	St SOLO
36	C04	Kokyu	St SOLO
37	C05	Yayli	St ENSEM.
38	C06	ChurchOohs	Pd CHOIR
39	C07	Dark Ooh	Pd CHOIR
40	C08	BrightHaah	Pd CHOIR
41	C09	Ooh-Aah	Pd CHOIR
42	C10	SynChoir	Pd CHOIR
43	C11	Nativity	Pd CHOIR
44	C12	PeaceVox	Pd CHOIR
45	C13	AngelVoice	Pd CHOIR
46	C14	SpaceChoir	Pd CHOIR
47	C15	Nebulae	Pd CHOIR
48	C16	GlassChoir	Pd CHOIR
49	D01	Shandala	Pd CHOIR
50	D02	AquaStop	Pd CHOIR
51	D03	Talk Box	Pd CHOIR
52	D04	Paradies	Pd BRIGHT
53	D05	Westerlies	Pd BRIGHT
54	D06	Tibet Ens.	Pd BRIGHT
55	D07	Pan Sphere	Pd SOFT
56	D08	Homesick	Pd SOFT
57	D09	Atlantis	Me MOTION
58	D10	Forest	Me MOTION
59	D11	Analog	Pd SOFT
60	D12	MellowAnlg	Pd SOFT
61	D13	Square	Pd SOFT
62	D14	BackPad MW	Pd SOFT
63	D15	PWM Soft	Pd SOFT
64	D16	Sine Pad	Pd SOFT

PRE5 (MSB=63, LSB=4)

Number	Voice Name	Category	Sub Category
65	E01	HighSine	Pd SOFT
66	E02	The Synth	Pd SOFT
67	E03	Ana Dreams	Pd BRIGHT
68	E04	BrassMover	Pd SOFT
69	E05	Dark Light	Pd SOFT
70	E06	Twist Pad	Pd BRIGHT
71	E07	Fat Eight	Pd BRIGHT
72	E08	X-Shower	Pd BRIGHT
73	E09	Digi Stuff	Pd BRIGHT
74	E10	Pure Syn	Pd BRIGHT
75	E11	Voxy Air	Pd BRIGHT
76	E12	SmoothBlue	Pd SOFT
77	E13	DarkVox	Pd SOFT
78	E14	Ore	Pd SOFT
79	E15	Fazer Pad	Pd BRIGHT
80	E16	GreenGiant	Pd BRIGHT
81	F01	Love me	Pd BRIGHT
82	F02	Pearls	Pd BRIGHT
83	F03	Ohm-Like	Pd SOFT
84	F04	AllYouNeed	Pd BRIGHT
85	F05	FrozenVox	Pd CHOIR
86	F06	Sand Pad	Pd BRIGHT
87	F07	Digi Sheen	Pd BRIGHT
88	F08	Eclipse	Me MOTION
89	F09	Arc-light	Pd BRIGHT
90	F10	Grass Arp	Pd SOFT
91	F11	SabreOrgan	Pd BRIGHT
92	F12	Don't Cry!	Pd BRIGHT
93	F13	Vapor	Pd SOFT
94	F14	Silverlake	Pd SOFT
95	F15	FrozenPad	Pd BRIGHT
96	F16	Shine on	Pd SOFT
97	G01	DarkTower	Pd BRIGHT
98	G02	Sadness	Pd BRIGHT
99	G03	Whisperer	Pd BRIGHT
100	G04	MagicSquif	Pd SOFT
101	G05	Keli Mutu	Pd SOFT
102	G06	Mini Three	Ld HARD
103	G07	VintageSaw	Ld HARD
104	G08	Punch Lead	Ld HARD
105	G09	Bright Saw	Ld HARD
106	G10	OrbitSine	Ld SOFT
107	G11	DuckLead	Ld SOFT
108	G12	FunkyPulse	Ld HARD
109	G13	Trojan	Ld HARD
110	G14	Feeling	Ld SOFT
111	G15	Crying	Ld HARD
112	G16	WoodPanel	Ld HARD
113	H01	VocoLead	Ld HARD
114	H02	JustASync	Ld HARD
115	H03	ThinkSync	Ld HARD
116	H04	Atk Reso	Ld SOFT
117	H05	Early Lead	Ld SOFT
118	H06	FlangeFilt	Ld HARD
119	H07	Free LFO	Ld HARD
120	H08	G-Funk	Ld SOFT
121	H09	Lucky	Ld SOFT
122	H10	PulseWound	Ld HARD
123	H11	PWM Lead	Ld HARD
124	H12	Rap Lead 1	Ld SOFT
125	H13	Rap Lead 2	Ld HARD
126	H14	Soft RnB	Ld SOFT
127	H15	Sine Lead	Ld SOFT
128	H16	Singleline	Ld SOFT

Number	Voice Name	Category	Sub Category
1	A01	Soft Lead	Ld SOFT
2	A02	SpaceLead	Ld HARD
3	A03	I.C.U.2.	Ld SOFT
4	A04	Mr. Finger	Ld SOFT
5	A05	Mini Soft	Ld SOFT
6	A06	Green Eyes	Ld SOFT
7	A07	PulseWidth	Ld HARD
8	A08	Inda Night	Ld SOFT
9	A09	NuMini	Ld SOFT
10	A10	Clicky Saw	Ld SOFT
11	A11	SimpleBass	Ba SYNTH
12	A12	Fat Sine	Ba SYNTH
13	A13	Dark Bass	Ba SYNTH
14	A14	OneVoice	Ba SYNTH
15	A15	BobbyBass	Ba SYNTH
16	A16	RnBass	Ba SYNTH
17	B01	Mini Sub	Ba SYNTH
18	B02	Fundamentl	Ba SYNTH
19	B03	FatSineRes	Ba SYNTH
20	B04	BalladBass	Ba SYNTH
21	B05	SingleOsc	Ba SYNTH
22	B06	Pro-Atack	Ba SYNTH
23	B07	SimpleReso	Ba SYNTH
24	B08	Funky Res	Ba SYNTH
25	B09	Unison	Ba SYNTH
26	B10	Moonbass	Ba SYNTH
27	B11	Long Spit	Ba SYNTH
28	B12	Sweeper	Ba SYNTH
29	B13	Bass&Comp!	Ba SYNTH
30	B14	Short PWM	Ba SYNTH
31	B15	Lately	Ba SYNTH
32	B16	Boogie A	Ba SYNTH
33	C01	Dark Uni	Ba SYNTH
34	C02	Boogie B	Ba SYNTH
35	C03	UniPunch	Ba SYNTH
36	C04	Boogie C	Ba SYNTH
37	C05	Clickie	Ba SYNTH
38	C06	Dry Syn	Ba SYNTH
39	C07	Baseline	Ba SYNTH
40	C08	KickBass	Ba SYNTH
41	C09	SomeDoubt	Ba SYNTH
42	C10	MiniClassc	Ba SYNTH
43	C11	West Coast	Ba SYNTH
44	C12	NeedleBs	Ba SYNTH
45	C13	Wazzo	Ba SYNTH
46	C14	VeloMaster	Ba SYNTH
47	C15	KeepDancin	Ba SYNTH
48	C16	Dave	Se SYNTH
49	D01	Willows	Se SYNTH
50	D02	Space	Se SYNTH
51	D03	Network	Se SYNTH
52	D04	Lazerzz	Se SYNTH
53	D05	Wind Blows	Se NATUR.
54	D06	Fire!	Se NATUR.
55	D07	Bullrushes	Se SYNTH
56	D08	Spacecraft	Se SYNTH
57	D09	Storm	Se NATUR.
58	D10	Liama Myst	Se NATUR.
59	D11	Signals	Se SYNTH
60	D12	FX-MWSweep	Se SYNTH
61	D13	Dream Text	Se SYNTH
62	D14	The Gate	Se SYNTH
63	D15	Insanity	Se SYNTH
64	D16	Crazy Mod	Se SYNTH

PRE6 (MSB=63, LSB=5)

Number	Voice Name	Category	Sub Category
65	E01 Doppler	Se	SYNTH
66	E02 Tron Blip	Se	SYNTH
67	E03 NevRepeat	Se	SYNTH
68	E04 StoneArp	Se	SYNTH
69	E05 Hellfire	Me	MOTION
70	E06 Omniflow	Me	MOTION
71	E07 Flutter	Me	MOTION
72	E08 Prisoner	Me	MOTION
73	E09 Chromosome	Me	MOTION
74	E10 Thieves	Me	MOTION
75	E11 Lynch Mob	Me	MOTION
76	E12 Ivi Atua	Me	MOTION
77	E13 Cwmcarn	Me	MOTION
78	E14 Alioth	Me	MOTION
79	E15 China Bird	Me	MOTION
80	E16 Arctis MW	Me	MOTION
81	F01 Pad&Loop	Me	MOTION
82	F02 Vespers	Me	MOTION
83	F03 MIDI Rain	Me	MOTION
84	F04 Missing	Me	MOTION
85	F05 Algae	Me	MOTION
86	F06 Glacy	Me	MOTION
87	F07 Orch Hits	Me	HIT
88	F08 80's Hit	Me	HIT
89	F09 Chaser	Me	MOTION
90	F10 CosmicRain	Me	MOTION
91	F11 Galactic	Pd	CHOIR
92	F12 Mckinley	Me	MOTION
93	F13 Glass Tube	Me	MOTION
94	F14 ModrnWinds	Me	MOTION
95	F15 Red Dragon	Me	MOTION
96	F16 Wireman	Sc	HARD
97	G01 After All	Sc	SOFT
98	G02 QuickPunch	Sc	HARD
99	G03 PolyMaster	Sc	HARD
100	G04 BigComp	Sc	HARD
101	G05 NoizRezz	Sc	HARD
102	G06 RezzPunch	Sc	HARD
103	G07 Straight	Sc	HARD
104	G08 Light Comp	Sc	HARD
105	G09 Cool Tech	Sc	HARD
106	G10 Talker	Sc	HARD
107	G11 Icing	Sc	SOFT
108	G12 Wobbly	Sc	SOFT
109	G13 A.J.	Sc	HARD
110	G14 NightWatch	Sc	HARD
111	G15 StringBell	Sc	SOFT
112	G16 Nightfall	Sc	SOFT
113	H01 Antares	Sc	HARD
114	H02 Airy Nylon	Sc	SOFT
115	H03 Retro	Sc	HARD
116	H04 NeoCrystal	Sc	HARD
117	H05 Sweetland	Sc	SOFT
118	H06 Soleil	Sc	SOFT
119	H07 PopularSyn	Sc	HARD
120	H08 Twilight	Sc	SOFT
121	H09 Long Walk	Sc	SOFT
122	H10 GX1	Sc	HARD
123	H11 PWM Percu	Sc	HARD
124	H12 ResoClavi	Sc	HARD
125	H13 Ore-Tech	Sc	HARD
126	H14 PlukdThing	Sc	HARD
127	H15 PluckBells	Sc	HARD
128	H16 Sine Comp	Sc	SOFT

Number	Voice Name	Category	Sub Category
1	A01 Aggressor	Co	SEQ
2	A02 PNut Brit	Co	SEQ
3	A03 British	Co	SEQ
4	A04 Wavepanner	Co	SEQ
5	A05 Pounder	Co	SEQ
6	A06 Teck-no	Co	SEQ
7	A07 FreshCut	Co	SEQ
8	A08 Zhuffle	Co	SEQ
9	A09 Vanilla	Co	SEQ
10	A10 XDance	Br	SYNTH
11	A11 TrncHook	Ld	HARD
12	A12 Portatone	Ld	HARD
13	A13 Mayday MW	Ld	SOFT
14	A14 Moon Dots	Sc	SOFT
15	A15 Dyna Ring	Me	MOTION
16	A16 Flangewall	Pd	BRIGHT
17	B01 Seraphim	Pd	CHOIR
18	B02 BPFx	Pd	BRIGHT
19	B03 HPF+LPPFpad	Pd	BRIGHT
20	B04 PWM Wall	Pd	BRIGHT
21	B05 Trance MW	Pd	BRIGHT
22	B06 Long HiPa	Me	MOTION
23	B07 Pad&Syn	Pd	BRIGHT
24	B08 LFO String	St	SYNTH
25	B09 Phat Dino	Ld	HARD
26	B10 Big Drone	Ld	HARD
27	B11 Big Lead	Ld	HARD
28	B12 TrncMelody	Ld	SOFT
29	B13 FaaatDance	Sc	HARD
30	B14 Fast PWM	Ba	SYNTH
31	B15 Phat Three	Ba	SYNTH
32	B16 BassPedal	Ba	SYNTH
33	C01 Hyperveilo	Ba	SYNTH
34	C02 NoiseBass	Ba	SYNTH
35	C03 Alias Bass	Ba	SYNTH
36	C04 BassBubble	Ba	SYNTH
37	C05 Boom Bass	Ba	SYNTH
38	C06 Doom Bass	Ba	SYNTH
39	C07 Pulse Step	Ba	SYNTH
40	C08 Acidd	Ba	SYNTH
41	C09 TranceBass	Ba	SYNTH
42	C10 Ambi Bass	Co	SEQ
43	C11 Deep Point	Ba	SYNTH
44	C12 Phat Step	Ba	SYNTH
45	C13 WinterBlue	Me	MOTION
46	C14 Sprocket	Se	SYNTH
47	C15 Zippers	Se	SYNTH
48	C16 Ringvoxx	Se	SYNTH
49	D01 Crazy Bird	Se	SYNTH
50	D02 Bitzz MW	Se	SYNTH
51	D03 Dirtbox	Se	SYNTH
52	D04 P.S.O.L.	Me	MOTION
53	D05 ProtoType	Me	MOTION
54	D06 Bit Stream	Me	MOTION
55	D07 Asp	Se	SYNTH
56	D08 XtremeRezz	Me	MOTION
57	D09 Ambi Bite	Me	HIT
58	D10 RevReality	Se	SYNTH
59	D11 Francios	Me	MOTION
60	D12 LoFi-Maj7	Pd	SOFT
61	D13 Ambi Pizz	St	ENSEM.
62	D14 Dark'n'Lit	Me	MOTION
63	D15 MirrorRing	Me	MOTION
64	D16 Clusters	Me	MOTION

Number	Voice Name	Category	Sub Category
65	E01 Interlude	Me	MOTION
66	E02 C Theme	Me	MOTION
67	E03 Horizon	Me	MOTION
68	E04 Talkmaster	Me	MOTION
69	E05 Bit Space	Me	MOTION
70	E06 Thexism	Se	SYNTH
71	E07 Cardomen	Me	MOTION
72	E08 EkoWhistle	Me	MOTION
73	E09 Fathoms	Pd	SOFT
74	E10 Moai	Sc	HARD
75	E11 M-Trance	Sc	HARD
76	E12 HPF Dance	Ld	HARD
77	E13 PowerWheel	Ld	HARD
78	E14 ShineChord	Sc	HARD
79	E15 Hip Voice	Sc	HARD
80	E16 Vocotouch	Sc	HARD
81	F01 Voxy Ninth	Sc	HARD
82	F02 Stabby	Sc	HARD
83	F03 DetroitSta	Sc	HARD
84	F04 Corrado	Sc	HARD
85	F05 Hit&Down	Me	HIT
86	F06 FilterHit	Me	HIT
87	F07 Griffin	Sc	HARD
88	F08 Olde Skool	Sc	HARD
89	F09 Four Skids	Co	SPLIT
90	F10 TranceStab	Sc	HARD
91	F11 UFOric	Co	SEQ
92	F12 Strong Jam	Co	SEQ
93	F13 Poly HPF	Co	SEQ
94	F14 SweetNoize	Co	SEQ
95	F15 Bollinger	Or	OTHER
96	F16 Moet	Or	OTHER
97	G01 Step Dance	Co	SEQ
98	G02 QuadSwell	Me	MOTION
99	G03 Slice Pad	Me	MOTION
100	G04 Wake Up	Pd	BRIGHT
101	G05 CrushPadMW	Me	MOTION
102	G06 EuroKidz	Co	SEQ
103	G07 Oxide	Ba	SYNTH
104	G08 DistortoBa	Ba	SYNTH
105	G09 Old House	Ba	SYNTH
106	G10 Dee Tune	Ba	SYNTH
107	G11 VolumePedl	Gt	E.GTR
108	G12 PolyTrance	Co	SEQ
109	G13 SimplyRndm	Co	SEQ
110	G14 Euro	Co	SEQ
111	G15 Soft Ice	Co	SEQ
112	G16 The Ripper	Se	SYNTH
113	H01 X-fade Pad	Pd	SOFT
114	H02 ChillGtr	Gt	E.GTR
115	H03 QuietNight	Me	MOTION
116	H04 Taken	Me	MOTION
117	H05 Lost Ring	Me	MOTION
118	H06 PlasmaWarp	Me	MOTION
119	H07 Queens	Sc	HARD
120	H08 Mizar	Sc	HARD
121	H09 PulseSus	Sc	HARD
122	H10 Pinz	Sc	SOFT
123	H11 Secrets	Me	MOTION
124	H12 Ar-tic	Me	MOTION
125	H13 My Reality	Me	MOTION
126	H14 Gladiator	Me	MOTION
127	H15 Chordz	Ld	HARD
128	H16 Trancious	Pd	BRIGHT

USR1 (MSB=63, LSB=8)

Number	Voice Name	Category	Sub Category
1	A01	Unplugged	Gt A.GTR
2	A02	FolkGuitar	Gt A.GTR
3	A03	Strum12Str	Gt A.GTR
4	A04	Thin Pick	Gt A.GTR
5	A05	ThickStrum	Gt A.GTR
6	A06	LazyChorus	Gt A.GTR
7	A07	Latin Jam	Gt A.GTR
8	A08	Slippery	Gt A.GTR
9	A09	Nylon Arp	Gt A.GTR
10	A10	WackaWacka	Gt E.GTR
11	A11	Touch Funk	Gt A.GTR
12	A12	Funk Star	Gt E.GTR
13	A13	Clean Funk	Gt E.GTR
14	A14	Riff Rock	Gt E.GTR
15	A15	Dist. Lick	Gt E.GTR
16	A16	VintageAmp	Gt E.GTR
17	B01	RockBackin	Gt E.GTR
18	B02	Wah Lead	Gt E.GTR
19	B03	OverTopArp	Gt E.GTR
20	B04	1stJazzBas	Ba A.BASS
21	B05	GroovinArp	Ba A.BASS
22	B06	FunkFinger	Ba E.BASS
23	B07	Basman12/8	Ba E.BASS
24	B08	Slapper	Ba E.BASS
25	B09	No Frettin	Ba E.BASS
26	B10	PickedBass	Ba E.BASS
27	B11	Buzzy Pick	Ba E.BASS
28	B12	MellowBass	Ba E.BASS
29	B13	FingerComp	Ba E.BASS
30	B14	Salsalicio	Ap A.PIANO
31	B15	Montuno	Ap A.PIANO
32	B16	Mutey Arp	Ap A.PIANO
33	C01	1FingerRck	Ap A.PIANO
34	C02	ClubBackin	Ap A.PIANO
35	C03	VintageArp	Kb E.PIANO
36	C04	Arp Clavi	Kb CLAVI
37	C05	House Org	Or ELEC.
38	C06	Bali Bells	Cp BELL
39	C07	Bell Shop	Cp BELL
40	C08	StringPart	St ENSEM.
41	C09	The Sneak	St ENSEM.
42	C10	Pizz Arp	St ENSEM.
43	C11	Harp Arp	St SOLO
44	C12	HeavenSent	Co SEQ
45	C13	Quiet Orch	Br SECTION
46	C14	Funk Bros	Br SECTION
47	C15	Fall Arp	Br SECTION
48	C16	Velo Flute	Rp PIPE
49	D01	OrcDrummer	Dr DRUMS
50	D02	BaglamaArp	Gt PLUCK
51	D03	Karbala 1	Gt PLUCK
52	D04	Karbala 2	Gt PLUCK
53	D05	Ney Arp	Rp PIPE
54	D06	Sunny	Co SEQ
55	D07	Afro	Co SEQ
56	D08	Ethnology	Co SEQ
57	D09	Funk Delhi	Gt PLUCK
58	D10	FX Jam	Se SYNTH
59	D11	Rap Top	Co SEQ
60	D12	MouthShots	Se SYNTH
61	D13	R&B Solo	Ld HARD
62	D14	Kick Off	Co SEQ
63	D15	Embassy	Co SEQ
64	D16	Mocha	Co SEQ

USR2 (MSB=63, LSB=9)

Number	Voice Name	Category	Sub Category
65	E01	Safari	Co SEQ
66	E02	Punchy Saw	Co SEQ
67	E03	Mr. Groovy	Co SEQ
68	E04	StarDrop	Co SEQ
69	E05	SyncArp 1	Co SEQ
70	E06	Madhouse	Co SEQ
71	E07	CompingPd	Co SEQ
72	E08	80's Ens	Co SEQ
73	E09	Tribal	Dr PERC.
74	E10	SyncArp 2	Co SEQ
75	E11	Orongo	Co SEQ
76	E12	Chinese	Co SEQ
77	E13	Neptune	Co SEQ
78	E14	Magician	Co SEQ
79	E15	Basic Arp	Co SEQ
80	E16	Soundwork	Co SEQ
81	F01	For Bertje	Co SEQ
82	F02	ANbasicARP	Co SEQ
83	F03	Particle	Co SEQ
84	F04	FuzzMorf	Co SEQ
85	F05	LighTek	Co SEQ
86	F06	Creme Cafe	Co SEQ
87	F07	Tangerine	Co SEQ
88	F08	Chocolate	Co SEQ
89	F09	Sushima	Co SEQ
90	F10	Metaloop	Co SEQ
91	F11	Technokrat	Co SEQ
92	F12	Hi 2 Lo MW	Co SEQ
93	F13	Engineer	Co SEQ
94	F14	Ghana Rain	Co SEQ
95	F15	SeqPad	Co SEQ
96	F16	Creamy	Co SEQ
97	G01	Waterproof	Me MOTION
98	G02	RingBell	Co SEQ
99	G03	SpectrmArp	Me MOTION
100	G04	The Hunter	Co SEQ
101	G05	Himalya	Co SEQ
102	G06	Bass'n Pad	Co SEQ
103	G07	Multi Mod	Co SEQ
104	G08	Surprise	Co SEQ
105	G09	Quo Vadis	Co SEQ
106	G10	Metal Arp	Co SEQ
107	G11	DreaminOfU	Co SEQ
108	G12	TransmittR	Co SEQ
109	G13	Zynitas	Co SEQ
110	G14	Pistachio	Co SEQ
111	G15	X-Wave	Co SEQ
112	G16	Cherry	Co SEQ
113	H01	Elec Drum	Co SEQ
114	H02	SimpleSize	Co SEQ
115	H03	Straighter	Co SEQ
116	H04	BollogPuls	Co SEQ
117	H05	Strawberry	Co SEQ
118	H06	Neon Soda	Co SEQ
119	H07	Magnetics	Me MOTION
120	H08	Etc.Music	Co SEQ
121	H09	ChillOut	Co SEQ
122	H10	In My Head	Se SYNTH
123	H11	Racer	Se SYNTH
124	H12	Jitter	Co SEQ
125	H13	Sand ES	Me MOTION
126	H14	V.S.E.Seq	Co SEQ
127	H15	Dawn	Co SEQ
128	H16	LuxAeterna	Me MOTION

Number	Voice Name	Category	Sub Category
1	A01	Vanilla	Co SEQ
2	A02	Nightfall	Sc SOFT
3	A03	BigStrings	St ENSEM.
4	A04	Full Grand	Ap A.PIANO
5	A05	Progressy	Or ELEC.
6	A06	Analog	Pd SOFT
7	A07	Unplugged	Gt A.GTR
8	A08	FunkFinger	Ba E.BASS
9	A09	Missing	Me MOTION
10	A10	Oud	Gt PLUCK
11	A11	FaatDance	Sc HARD
12	A12	Vintage74	Kb E.PIANO
13	A13	Big&Brite	Br SECTION
14	A14	Pearls	Pd BRIGHT
15	A15	Velo Flute	Rp PIPE
16	A16	SimpleBass	Ba SYNTH
17	B01	Bass'n Pad	Co SEQ
18	B02	Stack Bell	Cp BELL
19	B03	2 Violins	St ENSEM.
20	B04	Piano&Strg	Ap OTHER
21	B05	BreathPipe	Or PIPE
22	B06	Homesick	Pd SOFT
23	B07	Wah Lead	Gt E.GTR
24	B08	VeloGrowl	Ba A.BASS
25	B09	NevrRepeat	Se SYNTH
26	B10	PizzSect	St ENSEM.
27	B11	Big Drone	Ld HARD
28	B12	WurlTrem	Kb E.PIANO
29	B13	TrpRomanc	Br SOLO
30	B14	PhaseStrgs	St SYNTH
31	B15	Alto Vib	Rp SAX/RD
32	B16	JustASync	Ld HARD
33	C01	Zhuffie	Co SEQ
34	C02	Paradies	Pd BRIGHT
35	C03	BackGround	St ENSEM.
36	C04	Old Blues	Ap A.PIANO
37	C05	Soulemn	Or ELEC.
38	C06	Ooh-Aah	Pd CHOIR
39	C07	OverDriven	Gt E.GTR
40	C08	SlapSwitch	Ba E.BASS
41	C09	Network	Se SYNTH
42	C10	Santur	Gt PLUCK
43	C11	HPF Dance	Ld HARD
44	C12	Nu Phasing	Kb CLAVI
45	C13	MovieHorns	Br SECTION
46	C14	Forest	Me MOTION
47	C15	Ney	Rp PIPE
48	C16	Pro-Attack	Ba SYNTH
49	D01	Wavepanner	Co SEQ
50	D02	J-Pop	Cp BELL
51	D03	SmallSect1	St ENSEM.
52	D04	Ragtime	Ap A.PIANO
53	D05	Sunday	Or PIPE
54	D06	X-Shower	Pd BRIGHT
55	D07	Nylon+Harm	Gt A.GTR
56	D08	FretBuzzy	Ba E.BASS
57	D09	P.S.O.L.	Me MOTION
58	D10	StereoHarp	Gt PLUCK
59	D11	TrncMelody	Ld SOFT
60	D12	Bell DX	Kb E.PIANO
61	D13	Legend	Br SOLO
62	D14	Eclipse	Me MOTION
63	D15	Sweet Oboe	Rp SAX/RD
64	D16	Soft RnB	Ld SOFT

GM (MSB=0, LSB=0)

Number	Voice Name	Category	Sub Category
65	E01	PNut Brit	Co SEQ
66	E02	StringBell	Sc SOFT
67	E03	MediumEns	St ENSEM.
68	E04	RomanticPf	Ap A PIANO
69	E05	Full/CVib	Or ELEC.
70	E06	ChurchOohs	Pd CHOIR
71	E07	Baby	Gt E.GTR
72	E08	FretlsSolo	Ba E.BASS
73	E09	Sprocket	Se SYNTH
74	E10	Tabla Zone	Dr PERC.
75	E11	Hypervelo	Ba SYNTH
76	E12	Contempo	Kb E.PIANO
77	E13	SmBrSect	Br SECTION
78	E14	Tibet Ens.	Pd BRIGHT
79	E15	Kawala	Rp PIPE
80	E16	Boogie A	Ba SYNTH
81	F01	Engineer	Co SEQ
82	F02	Bell Chiff	Cp BELL
83	F03	CelloEnsem	St ENSEM.
84	F04	Aggressive	Ap A PIANO
85	F05	Dave's B	Or ELEC.
86	F06	PWM Soft	Pd SOFT
87	F07	60sClean1	Gt E.GTR
88	F08	PickMuteDr	Ba E.BASS
89	F09	StoneArp	Se SYNTH
90	F10	IndianFlai	Pd BRIGHT
91	F11	Portatone	Ld HARD
92	F12	SuperClavi	Kb CLAVI
93	F13	VeloFalls	Br SECTION
94	F14	Silverlake	Pd SOFT
95	F15	TenorSax1	Rp SAX/RD
96	F16	OrbitSine	Ld SOFT
97	G01	80's Ens	Co SEQ
98	G02	Soleil	Sc SOFT
99	G03	Hophead	St ENSEM.
100	G04	BriteGrand	Ap A PIANO
101	G05	Amped	Or ELEC.
102	G06	BrightHaah	Pd CHOIR
103	G07	Feedbacker	Gt E.GTR
104	G08	S-VeeTee	Ba E.BASS
105	G09	Crazy Mod	Se SYNTH
106	G10	Dhol	Dr PERC.
107	G11	Dyna Ring	Me MOTION
108	G12	R&B Soft	Kb E.PIANO
109	G13	HybridSect	Br SECTION
110	G14	ModrnWinds	Me MOTION
111	G15	IrishPipe	Rp PIPE
112	G16	Short PWM	Ba SYNTH
113	H01	Pounder	Co SEQ
114	H02	Wireman	Sc HARD
115	H03	HoleString	St ENSEM.
116	H04	CP80&EP	Kb E.PIANO
117	H05	Ooh Pipes	Or PIPE
118	H06	Old String	St ENSEM.
119	H07	1CoilChors	Gt E.GTR
120	H08	New Pick	Ba E.BASS
121	H09	Spacecraft	Se SYNTH
122	H10	Log&Drum	Cp PERC.
123	H11	Mayday MW	Ld SOFT
124	H12	DynoStrait	Kb E.PIANO
125	H13	Trombone	Br SOLO
126	H14	Lynch Mob	Me MOTION
127	H15	DbIRdQuart	Rp SAX/RD
128	H16	SpaceLead	Ld HARD

Number	Voice Name	Category	Sub Category
1	A01	ConcertGnd	Ap A PIANO
2	A02	Rock Brite	Ap A PIANO
3	A03	CP 2001	Ap E GRAND
4	A04	Honkytonk	Ap A PIANO
5	A05	E.Piano 1	Kb E.PIANO
6	A06	E.Piano 2	Kb E.PIANO
7	A07	Harpsicord	Kb OTHER
8	A08	Brite Clav	Kb CLAVI
9	A09	Celeste	Cp MALLET
10	A10	Glocken	Cp MALLET
11	A11	Music Box	Cp PERC.
12	A12	Vibes	Cp MALLET
13	A13	Marimba	Cp MALLET
14	A14	Xylophone	Cp MALLET
15	A15	TubulrBel	Cp BELL
16	A16	Dulcimar	Cp PERC.
17	B01	Draw Organ	Or ELEC.
18	B02	Perc Organ	Or ELEC.
19	B03	Rock Organ	Or ELEC.
20	B04	ChurchOrgn	Or PIPE
21	B05	Reed Organ	Or OTHER
22	B06	Accordion	Kb OTHER
23	B07	Harmonica	Rp OTHER
24	B08	TangoAccrd	Kb OTHER
25	B09	Velo Nylon	Gt A.GTR
26	B10	Steel	Gt A.GTR
27	B11	ModernJazz	Gt E.GTR
28	B12	Clean Gt	Gt E.GTR
29	B13	Mute	Gt E.GTR
30	B14	Overdrive	Gt E.GTR
31	B15	Distortion	Gt E.GTR
32	B16	Harmonics	Gt E.GTR
33	C01	Acoustic	Ba A.BASS
34	C02	FingerBass	Ba E.BASS
35	C03	PickBass	Ba E.BASS
36	C04	Fretless	Ba E.BASS
37	C05	SimpleSlap	Ba E.BASS
38	C06	FingSlp SW	Ba E.BASS
39	C07	SynthBass1	Ba SYNTH
40	C08	SynthBass2	Ba SYNTH
41	C09	Violin 3	St SOLO
42	C10	Viola 3	St SOLO
43	C11	Cello 3	St SOLO
44	C12	Contrabass	St SOLO
45	C13	TremoloStr	St ENSEM.
46	C14	Pizz	St ENSEM.
47	C15	Harp	Gt PLUCK
48	C16	Tmpni+Cym	Cp PERC.
49	D01	StereoSt1	St ENSEM.
50	D02	StereoSt2	St ENSEM.
51	D03	Grand Saw	St SYNTH
52	D04	SynString	St SYNTH
53	D05	Aah Choir	Pd CHOIR
54	D06	Ooh Choir	Pd CHOIR
55	D07	Syn Voice	Pd CHOIR
56	D08	Orch.Hit	Me HIT
57	D09	Trumpet	Br SOLO
58	D10	Trombone2	Br SOLO
59	D11	Tuba	Br SOLO
60	D12	MuteTrprt	Br SOLO
61	D13	F.Horns	Br SECTION
62	D14	Brass Sect	Br SECTION
63	D15	SynthBrass	Br SYNTH
64	D16	SoftBrs GM	Br SYNTH

Number	Voice Name	Category	Sub Category
65	E01	Soprano2	Rp SAX/RD
66	E02	Alto Sax	Rp SAX/RD
67	E03	TenorSax2	Rp SAX/RD
68	E04	Bari Sax	Rp SAX/RD
69	E05	Oboe	Rp SAX/RD
70	E06	Eng.Horn	Rp SAX/RD
71	E07	Bassoon	Rp SAX/RD
72	E08	Clarinet 2	Rp SAX/RD
73	E09	Piccolo	Rp PIPE
74	E10	Flute	Rp PIPE
75	E11	Recorder	Rp PIPE
76	E12	Panflute	Rp PIPE
77	E13	Bottle	Rp PIPE
78	E14	Shakuhachi	Rp PIPE
79	E15	Whistle	Rp PIPE
80	E16	Ocarina	Rp PIPE
81	F01	Square Ld	Ld HARD
82	F02	Saw Ld	Ld HARD
83	F03	Caliop Ld	Ld SOFT
84	F04	Chiff Ld	Ld HARD
85	F05	Charan Ld	Ld HARD
86	F06	Voice Ld	Ld SOFT
87	F07	Fifth Ld	Ld HARD
88	F08	Bass&Ld	Ld HARD
89	F09	New Age	Pd BRIGHT
90	F10	Warm Pad	Pd SOFT
91	F11	Poly Synth	Pd BRIGHT
92	F12	Choir Pad	Pd CHOIR
93	F13	BowedPad	Pd SOFT
94	F14	Metal Pad	Pd BRIGHT
95	F15	Halo Pad	Pd BRIGHT
96	F16	Sweep Pad	Pd BRIGHT
97	G01	Rain Pad	Me MOTION
98	G02	SoundTrack	Pd BRIGHT
99	G03	Crystal	Cp BELL
100	G04	Atmosphere	Pd SOFT
101	G05	Brightness	Sc HARD
102	G06	Goblin	Me MOTION
103	G07	Echoes	Me MOTION
104	G08	Sci-Fi	Pd BRIGHT
105	G09	Sitar	Gt PLUCK
106	G10	Banjo	Gt PLUCK
107	G11	Shamisen	Gt PLUCK
108	G12	Koto	Gt PLUCK
109	G13	Kalimba	Cp PERC.
110	G14	Bagpipe	Rp SAX/RD
111	G15	Fiddle	St SOLO
112	G16	Shehnai 2	Rp SAX/RD
113	H01	Tinkerbel	Cp BELL
114	H02	Agogo	Dr PERC.
115	H03	Steeldrum	Cp MALLET
116	H04	Woodblock	Dr PERC.
117	H05	Taikodrum	Dr PERC.
118	H06	MelodicTom	Dr DRUMS
119	H07	Synth Drum	Dr DRUMS
120	H08	Rev Cymbal	Se SYNTH
121	H09	Fret Noise	Se NATUR.
122	H10	BreathNoiz	Se NATUR.
123	H11	Seashore	Se NATUR.
124	H12	Tweet	Se NATUR.
125	H13	Telephone	Se NATUR.
126	H14	Helicopter	Se NATUR.
127	H15	Applause	Se NATUR.
128	H16	Gunshot	Se NATUR.

ドラムボイスリスト

ドラムボイスネームリスト

Preset (MSB=63, LSB=32)

Pre No.	Voice Name	
1	Hyper Std	
2	DryStandrd	
3	NewRock	
4	RockSt1	
5	RockSt2	
6	RockMono1	
7	RockMono2	
8	Hip Hop1	
9	Hip Hop2	
10	Hip Hop3	
11	Hip Hop4	
12	Hip Hop5	
13	Hip Hop6	
14	HipStick1	
15	HipStick2	
16	HipStick3	
17	HipStick4	
18	T9HipKit1	
19	T9HipKit2	
20	R&B Kit1	ほぼ GM Kitの配列に準拠した各ジャンルのドラムキットです。
21	R&B Kit2	
22	R&B Kit3	
23	AnalogT9	
24	AnalogT8	
25	Tekno Kit	
26	House Kit1	
27	House Kit2	
28	Big Kit	
29	Break Kit	
30	Drum'nBass	
31	Acid Kit	
32	Jungle Kit	
33	Electric	
34	Human Kit	
35	Hard Kit	
36	Distorted	
37	Ambient	
38	Jazz Kit	
39	Orchestral	
40	Garage	
41	All Round	独自の配列で使いやすさを追求したドラムキットです。
42	Rock Multi	
43	Hip Multi	
44	Percussion	楽器や効果音を種類ごとにあつめたキットです。
45	Latin Perc	
46	Gtr/Bs Fx	
47	Wacko Kit	
48	Wood Bits	
49	Metal Bits	
50	Hands Kit	
51	Scratches	
52	AcstSnares	
53	StSnares	
54	AllKicks	
55	DanceKick	
56	EasySnares	
57	Cuban	
58	SynPopKit	
59	Arabic Mix	
60	BellyDance	
61	DanceSnare	
62	SpecialSFX	
63	Synthetic	
64	SFX Kit	

GM (MSB=127, LSB=0)

GM Drum No.	Voice Name	
1	Stereo GM	

ドラムキットアサインリスト

PRE 1 Hyper Std

Note	Wave No.	Wave Name
C 0	933	Pc Clave
C#0	1391	Dr SdBmM1St
D 0	1397	Dr SdBrsWrSt
D#0	1394	Dr SdBmM2St
E 0	1400	Dr SdBswrAtSt
F 0	1387	Dr SdLvRolSt
F#0	932	Pc Castanet
G 0	1200	Dr SdNm1St
G#0	930	Pc Stick
A 0	1029	Dr BdFkSonSt
A#0	1232	Dr SdBsSt1-3
B 0	973	Dr BdSnap1
C 1	1023	Dr BdHsonSt
C#1	1376	Dr SdClRmSt
D 1	1247	Dr SdSonSt1-4
D#1	953	Pc ClapT9
E 1	1297	Dr SdTgtSt1-4
F 1	1636	Dr TomFlr St
F#1	1546	Dr HHClfSt
G 1	1636	Dr TomFlr St
G#1	1550	Dr HHfPd2St
A 1	1632	Dr TomLowSt
A#1	1554	Dr HHOp2St
B 1	1632	Dr TomLowSt
C 2	1628	Dr TomMidSt
C#2	1673	Dr CrashRL
D 2	1624	Dr TomHiSt
D#2	1682	Dr RideCymSt
E 2	1701	Dr ChinaSt
F 2	1690	Dr RideCupSt
F#2	912	Pc TambrrnSw
G 2	1706	Dr SplashSt
G#2	946	Pc Cowbell2
A 2	1673	Dr CrashRL
A#2	935	Pc Vibraslap
B 2	1685	Dr RideCym RL
C 3	873	Pc Bongo H1
C#3	872	Pc Bongo L
D 3	859	Pc CongaTip
D#3	857	Pc Conga Opn
E 3	866	Pc TumbaOpen
F 3	875	Pc TmbaleH1-3
F#3	879	Pc TmbaleL1-3
G 3	922	Pc AgogoHi
G#3	923	Pc AgogoLo
A 3	893	Pc Cabasa1-2
A#3	891	Pc MaracasSir
B 3	936	Pc Whistle
C 4	936	Pc Whistle
C#4	926	Pc GuiroShort
D 4	925	Pc GuiroLong
D#4	933	Pc Clave
E 4	934	Pc WoodBlock
F 4	934	Pc WoodBlock
F#4	871	Pc CuicaHi
G 4	870	Pc CuicaLo
G#4	939	Pc TriangleMt
A 4	938	Pc TriangleOp
A#4	899	Pc Shaker 1
B 4	951	Pc SleighBel
C 5	952	Pc BellTree
C#5	1114	Dr SdBldSt1-4
D 5	1267	Dr SdBIL1-3
D#5	1290	Dr SdBHr1-3
E 5	1317	Dr SdHipSt1-2
F 5	1194	Dr SdNmSt1-4
F#5	1355	Dr SdLdwHMono
G 5	1135	Dr SdSolSt1-3
G#5	1358	Dr SdHeavy
A 5	1218	Dr SdFk1St
A#5	1000	Dr BdNm1St
B 5	1029	Dr BdFkSonSt
C 6	972	Dr BdSnap1-2

PRE 2 DryStandrd

Note	Wave No.	Wave Name
C 0	933	Pc Clave
C#0	1391	Dr SdBmM1St
D 0	1397	Dr SdBrsWrSt
D#0	1394	Dr SdBmM2St
E 0	1400	Dr SdBswrAtSt
F 0	1387	Dr SdLvRolSt
F#0	932	Pc Castanet
G 0	1200	Dr SdNm1St
G#0	930	Pc Stick
A 0	1008	Dr BdFkSt1-2
A#0	1234	Dr SdBsSt2-3
B 0	1017	Dr BdHiSt
C 1	999	Dr BdNmSt1-2
C#1	1376	Dr SdClRmSt
D 1	1194	Dr SdNmSt1-4
D#1	953	Pc ClapT9
E 1	1233	Dr SdBsSt1-2
F 1	1636	Dr TomFlr St
F#1	1498	Dr HHClf1-4St
G 1	1636	Dr TomFlr St
G#1	1521	Dr HHfPd3 St
A 1	1632	Dr TomLowSt
A#1	1534	Dr HHOpn1-2St
B 1	1632	Dr TomLowSt
C 2	1628	Dr TomMidSt
C#2	1673	Dr CrashRL
D 2	1624	Dr TomHiSt
D#2	1682	Dr RideCymSt
E 2	1701	Dr ChinaSt
F 2	1690	Dr RideCupSt
F#2	912	Pc TambrrnSw
G 2	1706	Dr SplashSt
G#2	946	Pc Cowbell2
A 2	1673	Dr CrashRL
A#2	935	Pc Vibraslap
B 2	1685	Dr RideCym RL
C 3	873	Pc Bongo H1
C#3	872	Pc Bongo L
D 3	858	Pc CongaOpSlp
D#3	857	Pc Conga Opn
E 3	866	Pc TumbaOpen
F 3	875	Pc TmbaleH1-3
F#3	879	Pc TmbaleL1-3
G 3	922	Pc AgogoHi
G#3	923	Pc AgogoLo
A 3	893	Pc Cabasa1-2
A#3	891	Pc MaracasSir
B 3	936	Pc Whistle
C 4	936	Pc Whistle
C#4	926	Pc GuiroShort
D 4	925	Pc GuiroLong
D#4	933	Pc Clave
E 4	934	Pc WoodBlock
F 4	934	Pc WoodBlock
F#4	871	Pc CuicaHi
G 4	870	Pc CuicaLo
G#4	939	Pc TriangleMt
A 4	938	Pc TriangleOp
A#4	899	Pc Shaker 1
B 4	951	Pc SleighBel
C 5	952	Pc BellTree
C#5	1114	Dr SdBldSt1-4
D 5	1274	Dr SdBIL1-3
D#5	1317	Dr SdBHr1-3
E 5	1214	Dr SdFkSt1-3
F 5	1136	Dr SdSolSt2-4
F#5	1355	Dr SdLdwHMono
G 5	1358	Dr SdHeavy
G#5	1297	Dr SdTgtSt1-4
A 5	1285	Dr SdBHSt1/3
A#5	972	Dr BdSnap1-2
B 5	981	Dr BdTgt1-2
C 6	1008	Dr BdFkSt1-2

PRE 3 NewRock

Note	Wave No.	Wave Name
C 0	933	Pc Clave
C#0	1391	Dr SdBmM1St
D 0	1397	Dr SdBrsWrSt
D#0	1394	Dr SdBmM2St
E 0	1400	Dr SdBswrAtSt
F 0	1387	Dr SdLvRolSt
F#0	932	Pc Castanet
G 0	1326	Dr SdRkOp1St
G#0	930	Pc Stick
A 0	1032	Dr BdRk1St
A#0	1183	Dr SdRngSt4
B 0	991	Dr BdAmb2
C 1	992	Dr BdAmb2
C#1	1360	Dr SdRkStk1St
D 1	1175	Dr SdRngSt1-3
D#1	953	Pc ClapT9
E 1	1154	Dr SdPwrSt1-4
F 1	1636	Dr TomFlr St
F#1	1558	Dr HHClfRkStSw
G 1	1632	Dr TomLowSt
G#1	1586	Dr HHfOpRkSt
A 1	1632	Dr TomRkLowSt
A#1	1584	Dr HHOpRkSt
B 1	1628	Dr TomMid St
C 2	1628	Dr TomMidSt
C#2	1669	Dr CrashCymRL
D 2	1624	Dr TomHiSt
D#2	1686	Dr RideSt
E 2	1701	Dr ChinaSt
F 2	1694	Dr CupSt
F#2	912	Pc TambrrnSw
G 2	1706	Dr SplashSt
G#2	946	Pc Cowbell2
A 2	1666	Dr CrashCymSt
A#2	935	Pc Vibraslap
B 2	1693	Dr RideCup RL
C 3	873	Pc Bongo H1
C#3	872	Pc Bongo L
D 3	859	Pc CongaTip
D#3	857	Pc Conga Opn
E 3	866	Pc TumbaOpen
F 3	875	Pc TmbaleH1-3
F#3	879	Pc TmbaleL1-3
G 3	922	Pc AgogoHi
G#3	923	Pc AgogoLo
A 3	893	Pc Cabasa1-2
A#3	891	Pc MaracasSir
B 3	936	Pc Whistle
C 4	936	Pc Whistle
C#4	926	Pc GuiroShort
D 4	925	Pc GuiroLong
D#4	933	Pc Clave
E 4	934	Pc WoodBlock
F 4	934	Pc WoodBlock
F#4	871	Pc CuicaHi
G 4	870	Pc CuicaLo
G#4	939	Pc TriangleMt
A 4	938	Pc TriangleOp
A#4	899	Pc Shaker 1
B 4	951	Pc SleighBel
C 5	952	Pc BellTree
C#5	1274	Dr SdBIL1-3
D 5	1297	Dr SdTgtSt1-4
D#5	1290	Dr SdBHr1-3
E 5	1317	Dr SdHipSt1-2
F 5	1020	Dr BdLoSt
F#5	1355	Dr SdLdwHMono
G 5	1075	Dr BdR&B1
G#5	1358	Dr SdHeavy
A 5	1043	Dr BdRoom1
A#5	1352	Dr SdAmb
B 5	1029	Dr BdFkSonSt
C 6	1044	Dr BdRoom2

PRE 4 RockSt1

Note	Wave No.	Wave Name
C 0	971	Pc AnaClick
C#0	1391	Dr SdBmM1St
D 0	1397	Dr SdBrsWrSt
D#0	1394	Dr SdBmM2St
E 0	1400	Dr SdBswrAtSt
F 0	1381	Dr SdRkRolSt
F#0	932	Pc Castanet
G 0	1335	Dr SdRkOp2St
G#0	930	Pc Stick
A 0	992	Dr BdAmb2
A#0	1332	Dr SdRkRim1St
B 0	1035	Dr BdRk2St
C 1	1032	Dr BdRk1St
C#1	1360	Dr SdRkStk1St
D 1	1326	Dr SdRkOp1St
D#1	940	Pc HandClapSt
E 1	1329	Dr SdRkMte1St
F 1	1648	Dr TomRkLoSt
F#1	1558	Dr HHClfRkStSw
G 1	1648	Dr TomRkLoSt
G#1	1570	Dr HHfOpRkStSw
A 1	1644	Dr TomRkMdSt
A#1	1582	Dr HHOpRkStSw
B 1	1644	Dr TomRkMdSt
C 2	1640	Dr TomRkHiSt
C#2	1669	Dr CrashCymRL
D 2	1640	Dr TomRkHiSt
D#2	1686	Dr RideSt
E 2	1701	Dr ChinaSt
F 2	1694	Dr CupSt
F#2	963	Pc TambrrnRX5
G 2	1706	Dr SplashSt
G#2	945	Pc Cowbell1
A 2	1666	Dr CrashCymSt
A#2	935	Pc Vibraslap
B 2	1689	Dr RideRL
C 3	873	Pc Bongo H1
C#3	872	Pc Bongo L
D 3	859	Pc CongaTip
D#3	857	Pc Conga Opn
E 3	866	Pc TumbaOpen
F 3	875	Pc TmbaleH1-3
F#3	879	Pc TmbaleL1-3
G 3	922	Pc AgogoHi
G#3	923	Pc AgogoLo
A 3	893	Pc Cabasa1-2
A#3	891	Pc MaracasSir
B 3	936	Pc Whistle
C 4	936	Pc Whistle
C#4	926	Pc GuiroShort
D 4	925	Pc GuiroLong
D#4	933	Pc Clave
E 4	934	Pc WoodBlock
F 4	934	Pc WoodBlock
F#4	871	Pc CuicaHi
G 4	870	Pc CuicaLo
G#4	939	Pc TriangleMt
A 4	938	Pc TriangleOp
A#4	899	Pc Shaker 1
B 4	951	Pc SleighBel
C 5	952	Pc BellTree
C#5	1344	Dr SdRkFimSt
D 5	1335	Dr SdRkOp2St
D#5	1341	Dr SdRkRim2St
E 5	1338	Dr SdRkMte2St
F 5	1009	Dr BdFk1St
F#5	1384	Dr SdRkRolDSt
G 5	1023	Dr BdHsonSt
G#5	1297	Dr SdTgtSt1-4
A 5	1029	Dr BdFkSonSt
A#5	1255	Dr SdSon3St
B 5	1012	Dr BdLsonSt
C 6	1023	Dr BdRk1St

PRE 5 RockSt2

Note	Wave No.	Wave Name
C 0	971	Pc AnaClick
C#0	1391	Dr SdBmM1St
D 0	1397	Dr SdBrsWrSt
D#0	1394	Dr SdBmM2St
E 0	1400	Dr SdBswrAtSt
F 0	1381	Dr SdRkRolSt
F#0	932	Pc Castanet
G 0	1335	Dr SdRkOp2St
G#0	930	Pc Stick
A 0	991	Dr BdAmb1
A#0	1341	Dr SdRkRim2St
B 0	992	Dr BdAmb2
C 1	1035	Dr BdRk2St
C#1	1363	Dr SdRkStk2St
D 1	1335	Dr SdRkOp2St
D#1	940	Pc HandClapSt
E 1	1338	Dr SdRkMte2St
F 1	1648	Dr TomRkLoSt
F#1	1574	Dr HHClfRk2St
G 1	1648	Dr TomRkLoSt
G#1	1586	Dr HHfOpRkSt
A 1	1644	Dr TomRkMdSt
A#1	1584	Dr HHOpRkSt
B 1	1644	Dr TomRkMdSt
C 2	1640	Dr TomRkHiSt
C#2	1670	Dr CrashSt
D 2	1640	Dr TomRkHiSt
D#2	1686	Dr RideSt
E 2	1701	Dr ChinaSt
F 2	1694	Dr CupSt
F#2	963	Pc TambrrnRX5
G 2	1706	Dr SplashSt
G#2	945	Pc Cowbell1
A 2	1673	Dr CrashRL
A#2	935	Pc Vibraslap
B 2	1689	Dr RideRL
C 3	873	Pc Bongo H1
C#3	872	Pc Bongo L
D 3	859	Pc CongaTip
D#3	857	Pc Conga Opn
E 3	866	Pc TumbaOpen
F 3	875	Pc TmbaleH1-3
F#3	879	Pc TmbaleL1-3
G 3	922	Pc AgogoHi
G#3	923	Pc AgogoLo
A 3	893	Pc Cabasa1-2
A#3	891	Pc MaracasSir
B 3	936	Pc Whistle
C 4	936	Pc Whistle
C#4	926	Pc GuiroShort
D 4	925	Pc GuiroLong
D#4	933	Pc Clave
E 4	934	Pc WoodBlock
F 4	934	Pc WoodBlock
F#4	871	Pc CuicaHi
G 4	870	Pc CuicaLo
G#4	939	Pc TriangleMt
A 4	938	Pc TriangleOp
A#4	899	Pc Shaker 1
B 4	951	Pc SleighBel
C 5	952	Pc BellTree
C#5	1344	Dr SdRkFimSt
D 5	1326	Dr SdRkOp1St
D#5	1332	Dr SdRkRim1St
E 5	1329	Dr SdRkMte1St
F 5	1032	Dr BdRk1St
F#5	1384	Dr SdRkRolDSt
G 5	1010	Dr BdFk2St
G#5	1297	Dr SdTgtSt1-4
A 5	1017	Dr BdHiSt
A#5	1256	Dr SdSon4St
B 5	1026	Dr BdLsonSt
C 6	1032	Dr BdRk1St

PRE 6 RockMono1

Note	Wave No.	Wave Name
C 0	971	Pc AnaClick
C#0	1392	Dr SdBmTML
D 0	1398	Dr SdBrsWrL
D#0	1395	Dr SdBmM2L
E 0	1401	Dr SdBrsWrAtL
F 0	1388	Dr SdLvRoL
F#0	932	Pc Castanet
G 0	1307	Dr SdTgtL1-4
G#0	930	Pc Stick
A 0	1038	Dr BdDry1
A#0	1296	Dr SdBh3R
B 0	1007	Dr BdBm2R
C 1	1045	Dr BdRoom3
C#1	1379	Dr SdClRm2
D 1	1263	Dr SdSon3L
D#1	941	Pc HandClapL
E 1	1266	Dr SdSon4R
F 1	1637	Dr TomFir L
F#1	1576	Dr HHClRk2R
G 1	1633	Dr TomLow L
G#1	1580	Dr HHPdlRkR
A 1	1629	Dr TomMid L
A#1	1590	Dr HHOprkR
B 1	1629	Dr TomMid L
C 2	1626	Dr TomHi R
C#2	1671	Dr CrashL
D 2	1626	Dr TomHi R
D#2	1698	Dr RideMono
E 2	1701	Dr ChinaSt
F 2	1700	Dr CupMono2
F#2	912	Pc TambrnSw
G 2	1708	Dr SplashR
G#2	945	Pc Cowbell1
A 2	1671	Dr CrashL
A#2	935	Pc Vibraslap
B 2	1698	Dr RideMono
C 3	873	Pc Bongo H1
C#3	872	Pc Bongo L
D 3	859	Pc CongaTip
D#3	857	Pc Conga Opn
E 3	866	Pc TumbaOpen
F 3	875	Pc TmbaleH1-3
F#3	879	Pc TmbaleL1-3
G 3	922	Pc AgogoHi
G#3	923	Pc AgogoLo
A 3	893	Pc Cabasa1-2
A#3	891	Pc MaracasSir
B 3	936	Pc Whistle
C 4	936	Pc Whistle
C#4	926	Pc GuiroShort
D 4	925	Pc GuiroLong
D#4	933	Pc Clave
E 4	934	Pc WoodBlock
F 4	934	Pc WoodBlock
F#4	871	Pc CuicaHi
G 4	870	Pc CuicaLo
G#4	939	Pc TriangleMt
A 4	938	Pc TriangleOp
A#4	899	Pc Shaker 1
B 4	951	Pc SleighBel
C 5	952	Pc BellTree
C#5	1378	Dr SdClRmR
D 5	1358	Dr SdHeavy
D#5	1334	Dr SdRkRim1R
E 5	1355	Dr SdLdwHMono
F 5	1036	Dr BdRk2L
F#5	1321	Dr SdHipR1-2
G 5	1082	Dr BdBreakHrd
G#5	1316	Dr SdTgt4R
A 5	1018	Dr BdHil
A#5	1290	Dr SdBhR1-3
B 5	1015	Dr BdFKHL
C 6	1030	Dr BdFKSonL

PRE 7 RockMono2

Note	Wave No.	Wave Name
C 0	971	Pc AnaClick
C#0	1392	Dr SdBmTML
D 0	1398	Dr SdBrsWrL
D#0	1395	Dr SdBmM2L
E 0	1401	Dr SdBrsWrAtL
F 0	1388	Dr SdLvRoL
F#0	932	Pc Castanet
G 0	1312	Dr SdTgt2R
G#0	930	Pc Stick
A 0	1040	Dr BdPop
A#0	1315	Dr SdTgt4L
B 0	1007	Dr BdBm2R
C 1	1038	Dr BdDry1
C#1	1378	Dr SdClRmR
D 1	1275	Dr SdBIR1-3
D#1	941	Pc HandClapL
E 1	1308	Dr SdTgtR1-4
F 1	1649	Dr TomRkLoL
F#1	1576	Dr HHClRk2R
G 1	1649	Dr TomRkLoL
G#1	1580	Dr HHPdlRkR
A 1	1645	Dr TomRkMdL
A#1	1590	Dr HHOprkR
B 1	1645	Dr TomRkMdL
C 2	1642	Dr TomRkHIR
C#2	1671	Dr CrashL
D 2	1642	Dr TomRkHIR
D#2	1688	Dr RideR
E 2	1703	Dr ChinaR
F 2	1696	Dr CupR
F#2	963	Pc TambrnRX5
G 2	1708	Dr SplashR
G#2	945	Pc Cowbell1
A 2	1671	Dr CrashL
A#2	935	Pc Vibraslap
B 2	1698	Dr RideMono
C 3	873	Pc Bongo H1
C#3	872	Pc Bongo L
D 3	859	Pc CongaTip
D#3	857	Pc Conga Opn
E 3	866	Pc TumbaOpen
F 3	875	Pc TmbaleH1-3
F#3	879	Pc TmbaleL1-3
G 3	922	Pc AgogoHi
G#3	923	Pc AgogoLo
A 3	893	Pc Cabasa1-2
A#3	891	Pc MaracasSir
B 3	936	Pc Whistle
C 4	936	Pc Whistle
C#4	926	Pc GuiroShort
D 4	925	Pc GuiroLong
D#4	933	Pc Clave
E 4	934	Pc WoodBlock
F 4	934	Pc WoodBlock
F#4	871	Pc CuicaHi
G 4	870	Pc CuicaLo
G#4	939	Pc TriangleMt
A 4	938	Pc TriangleOp
A#4	899	Pc Shaker 1
B 4	951	Pc SleighBel
C 5	952	Pc BellTree
C#5	1364	Dr SdRkStk2L
D 5	1351	Dr SdMdRim
D#5	1325	Dr SdHip2R
E 5	1350	Dr SdMid
F 5	1043	Dr BdRoom1
F#5	1313	Dr SdTgt3L
G 5	1077	Dr BdHipDp
G#5	1316	Dr SdTgt4R
A 5	1025	Dr BdHsonR
A#5	1327	Dr SdRkOp1L
B 5	1040	Dr BdPop
C 6	1044	Dr BdRoom2

PRE 8 Hip Hop1

Note	Wave No.	Wave Name
C 0	1367	Dr SdHpStk2
C#0	815	Se VoxHitRev
D 0	821	Se TurnTable
D#0	768	Me HitBrass
E 0	844	Se ScratchSdR
F 0	1389	Dr SdLvRoLR
F#0	969	Pc ClaveT8
G 0	1325	Dr SdHip2R
G#0	1373	Dr SdHpStk6R
A 0	1077	Dr BdHipDp
A#0	1488	Dr SdDodgL
B 0	1063	Dr BdT8-3
C 1	1062	Dr BdT8-2
C#1	1367	Dr SdHpStk2
D 1	1484	Dr SdClpAna
D#1	942	Pc HandClapR
E 1	1465	Dr SdR&B2
F 1	1660	Dr TomT8
F#1	1599	Dr HHClT8-1
G 1	1660	Dr TomT8
G#1	1600	Dr HHOpT8-1
A 1	1660	Dr TomT8
A#1	1600	Dr HHOpT8-1
B 1	1660	Dr TomT8
C 2	1660	Dr TomT8
C#2	1675	Dr Crash2
D 2	1660	Dr TomT8
D#2	1688	Dr RideR
E 2	1711	Dr CrashT8
F 2	1713	Dr RideT9
F#2	963	Pc TambrnRX5
G 2	1708	Dr SplashR
G#2	949	Pc MamboBdy
A 2	1710	Dr CrashT9
A#2	935	Pc Vibraslap
B 2	1713	Dr RideT9
C 3	873	Pc Bongo H1
C#3	872	Pc Bongo L
D 3	859	Pc CongaTip
D#3	857	Pc Conga Opn
E 3	866	Pc TumbaOpen
F 3	875	Pc TmbaleH1-3
F#3	879	Pc TmbaleL1-3
G 3	922	Pc AgogoHi
G#3	923	Pc AgogoLo
A 3	893	Pc Cabasa1-2
A#3	891	Pc MaracasSir
B 3	936	Pc Whistle
C 4	936	Pc Whistle
C#4	926	Pc GuiroShort
D 4	925	Pc GuiroLong
D#4	933	Pc Clave
E 4	934	Pc WoodBlock
F 4	934	Pc WoodBlock
F#4	871	Pc CuicaHi
G 4	870	Pc CuicaLo
G#4	939	Pc TriangleMt
A 4	938	Pc TriangleOp
A#4	899	Pc Shaker 1
B 4	951	Pc SleighBel
C 5	952	Pc BellTree
C#5	1375	Dr SdHipStk8
D 5	1457	Dr SdJngl3
D#5	942	Pc HandClapR
E 5	1474	Dr SdHipRm5
F 5	834	Se Scratch H
F#5	835	Se Scratch L
G 5	836	Se ScratchDwn
G#5	838	Se ScratchHIR
A 5	841	Se ScratchBdF
A#5	853	Se ScratchCmb
B 5	846	Se ScratchVoR
C 6	1080	Dr BdBreak2

PRE 9 Hip Hop2

Note	Wave No.	Wave Name
C 0	1063	Dr BdT8-3
C#0	1448	Dr SdT8Rim
D 0	1466	Dr SdHip1
D#0	953	Pc ClapT9
E 0	1491	Dr SdSyn
F 0	1389	Dr SdLvRoLR
F#0	1369	Dr SdHpStk4
G 0	495	Pc DjembeEd
G#0	1371	Dr SdHpStk6St
A 0	1061	Dr BdT8-1
A#0	1464	Dr SdR&B1Rm
B 0	1081	Dr BdBreakHvy
C 1	1077	Dr BdHipDp
C#1	1446	Dr SdT8-4
D 1	1468	Dr SdHip3
D#1	940	Pc HandClapSt
E 1	1496	Dr SdLofi
F 1	1638	Dr TomFir R
F#1	1617	Dr HHClLoFi
G 1	1633	Dr TomLow L
G#1	1606	Dr HHClBreak
A 1	1633	Dr TomLow L
A#1	1618	Dr HHOpLoFi
B 1	1633	Dr TomLow L
C 2	1625	Dr TomHi L
C#2	1674	Dr Crash
D 2	1625	Dr TomHi L
D#2	1713	Dr RideT9
E 2	1705	Dr China
F 2	1699	Dr CupMono
F#2	963	Pc TambrnRX5
G 2	1674	Dr Crash
G#2	959	Pc CowBelRX11
A 2	1672	Dr CrashR
A#2	958	Pc CowBelT8
B 2	1713	Dr RideT9
C 3	873	Pc Bongo H1
C#3	872	Pc Bongo L
D 3	859	Pc CongaTip
D#3	858	Pc CongaOpSlp
E 3	857	Pc Conga Opn
F 3	753	Me RadioNz
F#3	753	Me RadioNz
G 3	923	Pc AgogoLo
G#3	923	Pc AgogoLo
A 3	894	Pc Cabasa1
A#3	967	Pc MarcsT8
B 3	818	Se FxGun2
C 4	819	Se FxGun1
C#4	848	Se ScratchSpn
D 4	847	Se ScratchStp
D#4	969	Pc ClaveT8
E 4	823	Se DoorSqk
F 4	814	Se HiQ2
F#4	841	Se ScratchBdF
G 4	842	Se ScratchBdR
G#4	939	Pc TriangleMt
A 4	938	Pc TriangleOp
A#4	962	Pc AnaShaker
B 4	913	Pc TambrnHit
C 5	952	Pc BellTree
C#5	1454	Dr SdHuman2
D 5	1479	Dr SdBreakRol
D#5	771	Me StabHard
E 5	1455	Dr SdJngl1
F 5	1032	Dr BdRk1St
F#5	836	Se ScratchDwn
G 5	494	Pc Wataiko
G#5	740	Me HH Hit
A 5	772	Me StabOrgan2
A#5	765	Me Sonar1
B 5	821	Se TurnTable
C 6	822	Se Police

PRE 10 Hip Hop3

Note	Wave No.	Wave Name
C 0	1448	Dr SdT8Rim
C#0	815	Se VoxHitRev
D 0	821	Se TurnTable
D#0	771	Me StabHard
E 0	846	Se ScratchVoR
F 0	1390	Dr SdRollMono
F#0	969	Pc ClaveT8
G 0	1323	Dr SdHip1R
G#0	1369	Dr SdHpStk4
A 0	1065	Dr BdAnCR
A#0	1472	Dr SdHipRm3
B 0	1056	Dr BdT9-3
C 1	1077	Dr BdHipDp
C#1	1370	Dr SdHpStk5
D 1	1469	Dr SdHipGate
D#1	942	Pc HandClapR
E 1	1496	Dr SdLofi
F 1	1660	Dr TomT8
F#1	1614	Dr HHClHip
G 1	1660	Dr TomT8
G#1	1615	Dr HHPdlHip
A 1	1660	Dr TomT8
A#1	1616	Dr HHOprHip
B 1	1660	Dr TomT8
C 2	1660	Dr TomT8
C#2	1675	Dr Crash2
D 2	1660	Dr TomT8
D#2	1688	Dr RideR
E 2	1711	Dr CrashT8
F 2	1713	Dr RideT9
F#2	963	Pc TambrnRX5
G 2	1708	Dr SplashR
G#2	949	Pc MamboBdy
A 2	1710	Dr CrashT9
A#2	935	Pc Vibraslap
B 2	1713	Dr RideT9
C 3	873	Pc Bongo H1
C#3	872	Pc Bongo L
D 3	859	Pc CongaTip
D#3	858	Pc CongaOpSlp
E 3	857	Pc Conga Opn
F 3	875	Pc TmbaleH1-3
F#3	879	Pc TmbaleL1-3
G 3	922	Pc AgogoHi
G#3	923	Pc AgogoLo
A 3	902	Pc ShakerHip1
A#3	891	Pc MaracasSir
B 3	936	Pc Whistle
C 4	936	Pc Whistle
C#4	926	Pc GuiroShort
D 4	925	Pc GuiroLong
D#4	933	Pc Clave
E 4	934	Pc WoodBlock
F 4	934	Pc WoodBlock
F#4	871	Pc CuicaHi
G 4	870	Pc CuicaLo
G#4	939	Pc TriangleMt
A 4	938	Pc TriangleOp
A#4	899	Pc Shaker 1
B 4	951	Pc SleighBel
C 5	952	Pc BellTree
C#5	1366	Dr SdHpStk1
D 5	1455	Dr SdJngl1
D#5	942	Pc HandClapR
E 5	1478	Dr SdBreakHvy
F 5	835	Se Scratch L
F#5	836	Se ScratchDwn
G 5	837	Se ScratchHif
G#5	839	Se ScratchLoF
A 5	840	Se ScratchLoR
A#5	841	Se ScratchBdF
B 5	842	Se ScratchBdR
C 6	1081	Dr BdBreakHvy

PRE 11 Hip Hop4

Note	Wave No.	Wave Name
C 0	1367	Dr SdHpStk2
C#0	814	Se HiQ2
D 0	821	Se TurnTable
D#0	767	Me HitOrch1
E 0	848	Se ScratchSpn
F 0	1383	Dr SdRkRoLR
F#0	969	Pc ClaveT8
G 0	1477	Dr SdBk3
G#0	1374	Dr SdHpStk7
A 0	1076	Dr BdR&B2
A#0	1464	Dr SdR&B1Rm
B 0	1057	Dr BdT9-4
C 1	1055	Dr BdT9-2
C#1	1368	Dr SdHpStk3
D 1	1472	Dr SdHpRm3
D#1	942	Pc HandClapR
E 1	1473	Dr SdHpRm4
F 1	1063	Dr BdT8-3
F#1	1597	Dr HHClT9
G 1	1063	Dr BdT8-3
G#1	1598	Dr HHOpT9
A 1	1063	Dr BdT8-3
A#1	1598	Dr HHOpT9
B 1	1063	Dr BdT8-3
C 2	1063	Dr BdT8-3
C#2	1675	Dr Crash2
D 2	1063	Dr BdT8-3
D#2	1688	Dr RideR
E 2	1711	Dr CrashT8
F 2	1713	Dr RideT9
F#2	963	Pc TambrnRX5
G 2	1708	Dr SplashR
G#2	949	Pc MamboBdy
A 2	1710	Dr CrashT9
A#2	935	Pc Vibraslap
B 2	1713	Dr RideT9
C 3	873	Pc Bongo H1
C#3	872	Pc Bongo L
D 3	859	Pc CongaTip
D#3	858	Pc CongaOpSlp
E 3	857	Pc Conga Opn
F 3	875	Pc TmbaleH1-3
F#3	879	Pc TmbaleL1-3
G 3	922	Pc AgogoHi
G#3	923	Pc AgogoLo
A 3	902	Pc ShakerHip1
A#3	891	Pc MaracasSlr
B 3	936	Pc Whistle
C 4	936	Pc Whistle
C#4	926	Pc GuiroShort
D 4	925	Pc GuiroLong
D#4	933	Pc Clave
E 4	934	Pc WoodBlock
F 4	934	Pc WoodBlock
F#4	871	Pc CuicaHi
G 4	870	Pc CuicaLo
G#4	939	Pc TriangleMt
A 4	938	Pc TriangleOp
A#4	899	Pc Shaker 1
B 4	951	Pc SleighBel
C 5	952	Pc BellTree
C#5	1376	Dr SdClRmSt
D 5	1458	Dr SdJnglFx
D#5	942	Pc HandClapSt
E 5	1479	Dr SdBkRm3
F 5	838	Se ScratchHIR
F#5	839	Se ScratchLoF
G 5	840	Se ScratchLoR
G#5	841	Se ScratchBdF
A 5	842	Se ScratchBdR
A#5	843	Se ScratchSdF
B 5	844	Se ScratchSdR
C 6	1082	Dr BdBreakHrd

PRE 12 Hip Hop5

Note	Wave No.	Wave Name
C 0	1366	Dr SdHpStk1
C#0	813	Se HiQ1
D 0	821	Se TurnTable
D#0	774	Me Hit Uhh
E 0	847	Se ScratchStp
F 0	1388	Dr SdLvRoLR
F#0	969	Pc ClaveT8
G 0	1486	Dr SdCut
G#0	1362	Dr SnRkStk1R
A 0	1055	Dr BdT9-2
A#0	1470	Dr SdHipRm1
B 0	1061	Dr BdT8-1
C 1	1078	Dr BdBrkDp
C#1	1380	Dr SdClRm3
D 1	1471	Dr SdHipRm2
D#1	942	Pc HandClapR
E 1	1463	Dr SdR&B1
F 1	957	Pc CongaT8
F#1	1599	Dr HHClT8-1
G 1	957	Pc CongaT8
G#1	1601	Dr HHClT8-2
A 1	957	Pc CongaT8
A#1	1602	Dr HHOpT8-2
B 1	957	Pc CongaT8
C 2	957	Pc CongaT8
C#2	1675	Dr Crash2
D 2	957	Pc CongaT8
D#2	1688	Dr RideR
E 2	1711	Dr CrashT8
F 2	1713	Dr RideT9
F#2	963	Pc TambrnRX5
G 2	1708	Dr SplashR
G#2	949	Pc MamboBdy
A 2	1710	Dr CrashT9
A#2	935	Pc Vibraslap
B 2	1713	Dr RideT9
C 3	873	Pc Bongo H1
C#3	872	Pc Bongo L
D 3	859	Pc CongaTip
D#3	857	Pc Conga Opn
E 3	866	Pc TumbaOpen
F 3	875	Pc TmbaleH1-3
F#3	879	Pc TmbaleL1-3
G 3	922	Pc AgogoHi
G#3	923	Pc AgogoLo
A 3	893	Pc Cabasa1-2
A#3	891	Pc MaracasSlr
B 3	936	Pc Whistle
C 4	936	Pc Whistle
C#4	926	Pc GuiroShort
D 4	925	Pc GuiroLong
D#4	933	Pc Clave
E 4	934	Pc WoodBlock
F 4	934	Pc WoodBlock
F#4	871	Pc CuicaHi
G 4	870	Pc CuicaLo
G#4	939	Pc TriangleMt
A 4	938	Pc TriangleOp
A#4	899	Pc Shaker 1
B 4	951	Pc SleighBel
C 5	952	Pc BellTree
C#5	1378	Dr SdClRmR
D 5	1450	Dr SdAnSmRim
D#5	940	Pc HandClapSt
E 5	1468	Dr SdHip3
F 5	844	Se ScratchSdR
F#5	849	Se ScratchHip
G 5	842	Se ScratchBdR
G#5	846	Se ScratchVoR
A 5	850	Se ScratchHp2
A#5	854	Se ScratchCb2
B 5	856	Se ScratchCb4
C 6	1077	Dr BdHipDp

PRE 13 Hip Hop6

Note	Wave No.	Wave Name
C 0	1366	Dr SdHpStk1
C#0	797	Se Zap2
D 0	821	Se TurnTable
D#0	790	Se Ripper
E 0	850	Se ScratchHp2
F 0	1388	Dr SdLvRoLR
F#0	969	Pc ClaveT8
G 0	1476	Dr SdBk2
G#0	1464	Dr SdRkStk2L
A 0	1043	Dr BdRoom1
A#0	1468	Dr SdHip3
B 0	1066	Dr BdT9-3
C 1	1075	Dr BdR&B1
C#1	1364	Dr SdRkStk2L
D 1	1466	Dr SdHip1
D#1	942	Pc HandClapR
E 1	1467	Dr SdHip2
F 1	957	Pc CongaT8
F#1	1614	Dr HHClHip
G 1	957	Pc CongaT8
G#1	1615	Dr HHPdIHip
A 1	957	Pc CongaT8
A#1	1616	Dr HHOpHIp
B 1	957	Pc CongaT8
C 2	957	Pc CongaT8
C#2	1675	Dr Crash2
D 2	957	Pc CongaT8
D#2	1688	Dr RideR
E 2	1711	Dr CrashT8
F 2	1713	Dr RideT9
F#2	963	Pc TambrnRX5
G 2	1708	Dr SplashR
G#2	949	Pc MamboBdy
A 2	1710	Dr CrashT9
A#2	935	Pc Vibraslap
B 2	1713	Dr RideT9
C 3	873	Pc Bongo H1
C#3	872	Pc Bongo L
D 3	859	Pc CongaTip
D#3	857	Pc Conga Opn
E 3	866	Pc TumbaOpen
F 3	875	Pc TmbaleH1-3
F#3	879	Pc TmbaleL1-3
G 3	922	Pc AgogoHi
G#3	923	Pc AgogoLo
A 3	893	Pc Cabasa1-2
A#3	891	Pc MaracasSlr
B 3	936	Pc Whistle
C 4	936	Pc Whistle
C#4	926	Pc GuiroShort
D 4	925	Pc GuiroLong
D#4	933	Pc Clave
E 4	934	Pc WoodBlock
F 4	934	Pc WoodBlock
F#4	871	Pc CuicaHi
G 4	870	Pc CuicaLo
G#4	939	Pc TriangleMt
A 4	938	Pc TriangleOp
A#4	899	Pc Shaker 1
B 4	951	Pc SleighBel
C 5	952	Pc BellTree
C#5	1380	Dr SdClRmR
D 5	1449	Dr SdAnSm
D#5	940	Pc HandClapSt
E 5	1465	Dr SdR&B2
F 5	834	Se Scratch H
F#5	835	Se Scratch L
G 5	836	Se ScratchDwn
G#5	837	Se ScratchHIF
A 5	838	Se ScratchHIR
A#5	839	Se ScratchLoF
B 5	840	Se ScratchLoR
C 6	1071	Dr BdJngl2

PRE 14 HipStick1

Note	Wave No.	Wave Name
C 0	1473	Dr SdHipRm4
C#0	813	Se HiQ1
D 0	821	Se TurnTable
D#0	767	Me HitOrch1
E 0	842	Se ScratchBdR
F 0	1389	Dr SdLvRoLR
F#0	971	Pc AnaClick
G 0	1472	Dr SdHipRm3
G#0	1452	Dr SdAnCRim
A 0	1077	Dr BdHipDp
A#0	1450	Dr SdAnSmRim
B 0	1063	Dr BdT8-3
C 1	1062	Dr BdT8-2
C#1	1448	Dr SdTRim
D 1	1366	Dr SdHpStk1
D#1	942	Pc HandClapR
E 1	1367	Dr SdHpStk2
F 1	1660	Dr TomT8
F#1	1599	Dr HHClT8-1
G 1	1660	Dr TomT8
G#1	1600	Dr HHOpT8-1
A 1	1600	Dr TomT8
A#1	1600	Dr HHOpT8-1
B 1	1660	Dr TomT8
C 2	1660	Dr TomT8
C#2	1675	Dr Crash2
D 2	1660	Dr TomT8
D#2	1688	Dr RideR
E 2	1711	Dr CrashT8
F 2	1713	Dr RideT9
F#2	963	Pc TambrnRX5
G 2	1708	Dr SplashR
G#2	949	Pc MamboBdy
A 2	1710	Dr CrashT9
A#2	935	Pc Vibraslap
B 2	1713	Dr RideT9
C 3	873	Pc Bongo H1
C#3	872	Pc Bongo L
D 3	859	Pc CongaTip
D#3	857	Pc Conga Opn
E 3	866	Pc TumbaOpen
F 3	875	Pc TmbaleH1-3
F#3	879	Pc TmbaleL1-3
G 3	922	Pc AgogoHi
G#3	923	Pc AgogoLo
A 3	893	Pc Cabasa1-2
A#3	891	Pc MaracasSlr
B 3	936	Pc Whistle
C 4	936	Pc Whistle
C#4	926	Pc GuiroShort
D 4	925	Pc GuiroLong
D#4	933	Pc Clave
E 4	934	Pc WoodBlock
F 4	934	Pc WoodBlock
F#4	871	Pc CuicaHi
G 4	870	Pc CuicaLo
G#4	939	Pc TriangleMt
A 4	938	Pc TriangleOp
A#4	899	Pc Shaker 1
B 4	951	Pc SleighBel
C 5	952	Pc BellTree
C#5	1449	Dr SdAnSm
D 5	1380	Dr SdClRim3
D#5	971	Pc AnaClick
E 5	1379	Dr SdClRim2
F 5	834	Se Scratch H
F#5	835	Se ScratchDwn
G 5	836	Se ScratchDwn
G#5	838	Se ScratchHIR
A 5	841	Se ScratchBdF
A#5	853	Se ScratchCmb
B 5	846	Se ScratchVoR
C 6	1071	Dr BdJngl2

PRE 15 HipStick2

Note	Wave No.	Wave Name
C 0	1473	Dr SdHipRm4
C#0	795	Se NzBurst
D 0	821	Se TurnTable
D#0	774	Me Hit Uhh
E 0	842	Se ScratchBdR
F 0	1389	Dr SdLvRoLR
F#0	969	Pc ClaveT8
G 0	1450	Dr SdAnSmRim
G#0	1469	Dr SdHipGate
A 0	1056	Dr BdT9-3
A#0	1448	Dr SdTRim
B 0	1062	Dr BdT8-2
C 1	1054	Dr BdT9-1
C#1	1472	Dr SdHipRm3
D 1	1368	Dr SdHpStk3
D#1	942	Pc HandClapR
E 1	1369	Dr SdHpStk4
F 1	1659	Dr TomT9Lo
F#1	1597	Dr HHClT9
G 1	1659	Dr TomT9Lo
G#1	1598	Dr HHOpT9
A 1	1659	Dr TomT9Lo
A#1	1598	Dr HHOpT9
B 1	1658	Dr TomT9Hi
C 2	1658	Dr TomT9Hi
C#2	1675	Dr Crash2
D 2	1658	Dr TomT9Hi
D#2	1688	Dr RideR
E 2	1711	Dr CrashT8
F 2	1713	Dr RideT9
F#2	963	Pc TambrnRX5
G 2	1708	Dr SplashR
G#2	949	Pc MamboBdy
A 2	1710	Dr CrashT9
A#2	935	Pc Vibraslap
B 2	1713	Dr RideT9
C 3	873	Pc Bongo H1
C#3	872	Pc Bongo L
D 3	859	Pc CongaTip
D#3	858	Pc CongaOpSlp
E 3	857	Pc Conga Opn
F 3	875	Pc TmbaleH1-3
F#3	879	Pc TmbaleL1-3
G 3	922	Pc AgogoHi
G#3	923	Pc AgogoLo
A 3	902	Pc ShakerHip1
A#3	891	Pc MaracasSlr
B 3	936	Pc Whistle
C 4	936	Pc Whistle
C#4	926	Pc GuiroShort
D 4	925	Pc GuiroLong
D#4	933	Pc Clave
E 4	934	Pc WoodBlock
F 4	934	Pc WoodBlock
F#4	871	Pc CuicaHi
G 4	870	Pc CuicaLo
G#4	939	Pc TriangleMt
A 4	938	Pc TriangleOp
A#4	899	Pc Shaker 1
B 4	951	Pc SleighBel
C 5	952	Pc BellTree
C#5	1450	Dr SdAnSmRim
D 5	1378	Dr SdClRmR
D#5	1473	Dr SdHipRm4
E 5	1380	Dr SdClRim3
F 5	835	Se Scratch L
F#5	836	Se ScratchDwn
G 5	837	Se ScratchHIF
G#5	839	Se ScratchLoF
A 5	842	Se ScratchBdR
A#5	854	Se ScratchCb2
B 5	847	Se ScratchStp
C 6	1069	Dr BdBlpHd

PRE 16 HipStick3

Note	Wave No.	Wave Name
C 0	1490	Dr SdFMRim
C#0	816	Se Bomb
D 0	821	Se TurnTable
D#0	776	Me VoxDrum
E 0	841	Se ScratchBdF
F 0	1389	Dr SdLvRoIR
F#0	934	Pc WoodBlock
G 0	1452	Dr SdAnCRrim
G#0	1468	Pc HdHip3
A 0	1063	Dr BdT8-3
A#0	1442	Dr SdT9Rim
B 0	1061	Dr BdT8-1
C 1	1055	Dr BdT9-2
C#1	1473	Dr SdHipRm4
D 1	1370	Dr SdHpStk5
D#1	942	Pc HandClapR
E 1	1371	Dr SdHpStk6St
F 1	1063	Dr BdT8-3
F#1	1614	Dr HHClHip
G 1	1063	Dr BdT8-3
G#1	1615	Dr HHpdHip
A 1	1063	Dr BdT8-3
A#1	1616	Dr HHOpHip
B 1	1063	Dr BdT8-3
C 2	1063	Dr BdT8-3
C#2	1675	Dr Crash2
D 2	1063	Dr BdT8-3
D#2	1688	Dr RideR
E 2	1711	Dr CrashT8
F 2	1713	Dr RideT9
F#2	963	Pc TambrnRX5
G 2	1708	Dr SplashR
G#2	949	Pc MamboBdy
A 2	1710	Dr CrashT9
A#2	935	Pc Vibraslap
B 2	1713	Dr RideT9
C 3	873	Pc Bongo H1
C#3	872	Pc Bongo L
D 3	859	Pc CongaTip
D#3	857	Pc Conga Opn
E 3	866	Pc TumbaOpen
F 3	875	Pc TmbaleH1-3
F#3	879	Pc TmbaleL1-3
G 3	922	Pc AgogoHi
G#3	923	Pc AgogoLo
A 3	893	Pc Cabasa1-2
A#3	891	Pc MaracasSir
B 3	936	Pc Whistle
C 4	936	Pc Whistle
C#4	926	Pc GuiroShort
D 4	925	Pc GuiroLong
D#4	933	Pc Clave
E 4	934	Pc WoodBlock
F 4	934	Pc WoodBlock
F#4	871	Pc CuicaHi
G 4	870	Pc CuicaLo
G#4	939	Pc TriangleMt
A 4	938	Pc TriangleOp
A#4	899	Pc Shaker 1
B 4	951	Pc SleighBel
C 5	952	Pc BellTree
C#5	1450	Dr SdAnSmRim
D 5	1378	Dr SdClRmR
D#5	1473	Dr SdHipRm4
E 5	1379	Dr SdClRim2
F 5	835	Se Scratch L
F#5	836	Se ScratchDwn
G 5	837	Se ScratchHIF
G#5	839	Se ScratchLoF
A 5	842	Se ScratchBdR
A#5	854	Se ScratchCb2
B 5	847	Se ScratchStp
C 6	1068	Dr BdBlip

PRE 17 HipStick4

Note	Wave No.	Wave Name
C 0	1497	Dr SdRimSE
C#0	953	Pc ClapT9
D 0	821	Se TurnTable
D#0	816	Se Bomb
E 0	853	Se ScratchCmb
F 0	1390	Dr SdRollMono
F#0	1442	Dr SdT9Rim
G 0	1472	Dr SdHipRm3
G#0	1455	Dr SdJngl1
A 0	1045	Dr BdRoom3
A#0	1372	Dr SdHpStk6L
B 0	1056	Dr BdT9-3
C 1	1057	Dr BdT9-4
C#1	1473	Dr SdHipRm4
D 1	1374	Dr SdHpStk7
D#1	942	Pc HandClapR
E 1	1375	Dr SdHipStk8
F 1	957	Pc CongaT8
F#1	1612	Dr HHClHip
G 1	957	Pc CongaT8
G#1	1604	Dr HHClAnCR
A 1	957	Pc CongaT8
A#1	1613	Dr HHOpTek
B 1	957	Pc CongaT8
C 2	957	Pc CongaT8
C#2	1675	Dr Crash2
D 2	957	Pc CongaT8
D#2	1688	Dr RideR
E 2	1711	Dr CrashT8
F 2	1713	Dr RideT9
F#2	963	Pc TambrnRX5
G 2	1708	Dr SplashR
G#2	949	Pc MamboBdy
A 2	1710	Dr CrashT9
A#2	935	Pc Vibraslap
B 2	1713	Dr RideT9
C 3	873	Pc Bongo H1
C#3	872	Pc Bongo L
D 3	859	Pc CongaTip
D#3	857	Pc Conga Opn
E 3	866	Pc TumbaOpen
F 3	875	Pc TmbaleH1-3
F#3	879	Pc TmbaleL1-3
G 3	922	Pc AgogoHi
G#3	923	Pc AgogoLo
A 3	893	Pc Cabasa1-2
A#3	891	Pc MaracasSir
B 3	936	Pc Whistle
C 4	936	Pc Whistle
C#4	926	Pc GuiroShort
D 4	925	Pc GuiroLong
D#4	933	Pc Clave
E 4	934	Pc WoodBlock
F 4	934	Pc WoodBlock
F#4	871	Pc CuicaHi
G 4	870	Pc CuicaLo
G#4	939	Pc TriangleMt
A 4	938	Pc TriangleOp
A#4	899	Pc Shaker 1
B 4	951	Pc SleighBel
C 5	952	Pc BellTree
C#5	1450	Dr SdAnSmRim
D 5	1440	Dr SdT9-5
D#5	1472	Dr SdHipRm3
E 5	1377	Dr SdClRmL
F 5	839	Se ScratchLoF
F#5	840	Se ScratchLoR
G 5	841	Se ScratchBdF
G#5	842	Se ScratchBdR
A 5	843	Se ScratchSdF
A#5	844	Se ScratchLoF
B 5	845	Se ScratchVoF
C 6	1062	Dr BdT8-2

PRE 18 T9HipKit1

Note	Wave No.	Wave Name
C 0	969	Pc ClaveT8
C#0	1440	Dr SdT9-5
D 0	821	Se TurnTable
D#0	761	Me Quiek
E 0	855	Se ScratchCb3
F 0	1388	Dr SdLvRoIL
F#0	971	Pc AnaClick
G 0	1441	Dr SdT9Gate
G#0	1497	Dr SdRimSE
A 0	1056	Dr BdT9-3
A#0	1438	Dr SdT9-3
B 0	1059	Dr BdT9-2
C 1	1054	Dr BdT9-1
C#1	1442	Dr SdT9Rim
D 1	1440	Dr SdT9-5
D#1	953	Pc ClapT9
E 1	1439	Dr SdT9-4
F 1	1659	Dr TomT9Lo
F#1	1597	Dr HHClT9
G 1	1659	Dr TomT9Lo
G#1	1598	Dr HHOpT9
A 1	1659	Dr TomT9Lo
A#1	1598	Dr HHOpT9
B 1	1659	Dr TomT9Lo
C 2	1658	Dr TomT9Hi
C#2	1710	Dr CrashT9
D 2	1658	Dr TomT9Hi
D#2	1713	Dr RideT9
E 2	1710	Dr CrashT9
F 2	1713	Dr RideT9
F#2	963	Pc TambrnRX5
G 2	1710	Dr CrashT9
G#2	960	Pc CowBelAnCR
A 2	1710	Dr CrashT9
A#2	935	Pc Vibraslap
B 2	1713	Dr RideT9
C 3	873	Pc Bongo H1
C#3	872	Pc Bongo L
D 3	859	Pc CongaTip
D#3	857	Pc Conga Opn
E 3	866	Pc TumbaOpen
F 3	875	Pc TmbaleH1-3
F#3	879	Pc TmbaleL1-3
G 3	922	Pc AgogoHi
G#3	923	Pc AgogoLo
A 3	893	Pc Cabasa1-2
A#3	891	Pc MaracasSir
B 3	936	Pc Whistle
C 4	936	Pc Whistle
C#4	926	Pc GuiroShort
D 4	925	Pc GuiroLong
D#4	933	Pc Clave
E 4	934	Pc WoodBlock
F 4	934	Pc WoodBlock
F#4	871	Pc CuicaHi
G 4	870	Pc CuicaLo
G#4	939	Pc TriangleMt
A 4	938	Pc TriangleOp
A#4	899	Pc Shaker 1
B 4	951	Pc SleighBel
C 5	952	Pc BellTree
C#5	1442	Dr SdT9Rim
D 5	1441	Dr SdT9Gate
D#5	940	Pc ClapT9
E 5	1440	Dr SdT9-5
F 5	834	Se Scratch L
F#5	835	Se Scratch H
G 5	836	Se ScratchDwn
G#5	837	Se ScratchHIF
A 5	838	Se ScratchHIR
A#5	839	Se ScratchLoF
B 5	840	Se ScratchLoR
C 6	1058	Dr BdT9Hd1

PRE 19 T9HipKit2

Note	Wave No.	Wave Name
C 0	969	Pc ClaveT8
C#0	1440	Dr SdT9-5
D 0	821	Se TurnTable
D#0	761	Me Quiek
E 0	855	Se ScratchCb3
F 0	1388	Dr SdLvRoIL
F#0	971	Pc AnaClick
G 0	1441	Dr SdT9Gate
G#0	1452	Dr SdAnCRrim
A 0	1060	Dr BdT9Hd3
A#0	1437	Dr SdT9-2
B 0	1059	Dr BdT9Hd2
C 1	1058	Dr BdT9Hd1
C#1	1442	Dr SdT9Rim
D 1	1436	Dr SdT9-1
D#1	953	Pc ClapT9
E 1	1440	Dr SdT9-5
F 1	1659	Dr TomT9Lo
F#1	1597	Dr HHClT9
G 1	1659	Dr TomT9Lo
G#1	1598	Dr HHOpT9
A 1	1659	Dr TomT9Lo
A#1	1598	Dr HHOpT9
B 1	1659	Dr TomT9Lo
C 2	1658	Dr TomT9Hi
C#2	1710	Dr CrashT9
D 2	1658	Dr TomT9Hi
D#2	1713	Dr RideT9
E 2	1710	Dr CrashT9
F 2	1713	Dr RideT9
F#2	963	Pc TambrnRX5
G 2	1710	Dr CrashT9
G#2	960	Pc CowBelAnCR
A 2	1710	Dr CrashT9
A#2	935	Pc Vibraslap
B 2	1713	Dr RideT9
C 3	873	Pc Bongo H1
C#3	872	Pc Bongo L
D 3	859	Pc CongaTip
D#3	857	Pc Conga Opn
E 3	866	Pc TumbaOpen
F 3	875	Pc TmbaleH1-3
F#3	879	Pc TmbaleL1-3
G 3	922	Pc AgogoHi
G#3	923	Pc AgogoLo
A 3	893	Pc Cabasa1-2
A#3	891	Pc MaracasSir
B 3	936	Pc Whistle
C 4	936	Pc Whistle
C#4	926	Pc GuiroShort
D 4	925	Pc GuiroLong
D#4	933	Pc Clave
E 4	934	Pc WoodBlock
F 4	934	Pc WoodBlock
F#4	871	Pc CuicaHi
G 4	870	Pc CuicaLo
G#4	939	Pc TriangleMt
A 4	938	Pc TriangleOp
A#4	899	Pc Shaker 1
B 4	951	Pc SleighBel
C 5	952	Pc BellTree
C#5	1442	Dr SdT9Rim
D 5	1440	Dr SdT9-5
D#5	953	Pc ClapT9
E 5	1439	Dr SdT9-4
F 5	834	Se Scratch H
F#5	835	Se ScratchLoF
G 5	836	Se ScratchDwn
G#5	837	Se ScratchHIF
A 5	838	Se ScratchHIR
A#5	839	Se ScratchLoF
B 5	840	Se ScratchLoR
C 6	1054	Dr BdT9-1

PRE 20 R&B Kit1

Note	Wave No.	Wave Name
C 0	1060	Dr BdT9Hd3
C#0	1451	Dr SdAnCR
D 0	1450	Dr SdAnSmRim
D#0	1484	Dr SdClpAna
E 0	1441	Dr SdT9Gate
F 0	1390	Dr SdRollMono
F#0	1493	Dr SdTimbr
G 0	1490	Dr SdFMRim
G#0	1458	Dr SdJnglFx
A 0	1041	Dr BdVar1
A#0	1470	Dr SdHipRm1
B 0	1062	Dr BdT8-2
C 1	1092	Dr BdZapMid
C#1	1448	Dr SdT8Rim
D 1	1471	Dr SdHipRm2
D#1	940	Pc HandClapSt
E 1	1451	Dr SdAnCR
F 1	1063	Dr BdT8-3
F#1	1601	Dr HHClT8-2
G 1	1063	Dr BdT8-3
G#1	1604	Dr HHClAnCR
A 1	1063	Dr BdT8-3
A#1	1602	Dr HHOpT8-2
B 1	1063	Dr BdT8-3
C 2	1063	Dr BdT8-3
C#2	1674	Dr Crash
D 2	1063	Dr BdT8-3
D#2	1713	Dr RideT9
E 2	1705	Dr China
F 2	1699	Dr CupMono
F#2	913	Pc TambrnHit
G 2	1674	Dr Crash
G#2	945	Pc Cowbell1
A 2	1710	Dr CrashT9
A#2	958	Pc CowBelT8
B 2	1682	Dr RideCym St
C 3	873	Pc Bongo H1
C#3	872	Pc Bongo L
D 3	859	Pc CongaTip
D#3	858	Pc CongaOpSlp
E 3	857	Pc Conga Opn
F 3	813	Se HiQ1
F#3	813	Se HiQ1
G 3	923	Pc AgogoLo
G#3	923	Pc AgogoLo
A 3	962	Pc AnaShaker
A#3	891	Pc MaracasSir
B 3	776	Me VoxDrum
C 4	776	Me VoxDrum
C#4	813	Se HiQ1
D 4	814	Se HiQ2
D#4	969	Pc ClaveT8
E 4	813	Se HiQ1
F 4	848	Se ScratchSpn
F#4	838	Se ScratchHIR
G 4	837	Se ScratchHIF
G#4	939	Pc TriangleMt
A 4	938	Pc TriangleOp
A#4	900	Pc Shaker 2
B 4	913	Pc TambrnHit
C 5	952	Pc BellTree
C#5	1479	Dr SdBkRmRol
D 5	795	Se NzBurst
D#5	731	Me VoxBell
E 5	1463	Dr SdR&B1
F 5	741	Me VoxAlk
F#5	519	Pc Udo Hi
G 5	736	Me TranCho
G#5	750	Me Swarm
A 5	1040	Dr BdPop
A#5	1464	Dr SdR&B1Rm
B 5	1076	Dr BdR&B2
C 6	1674	Dr Crash

PRE 21 R&B Kit2

Note	Wave No.	Wave Name
C 0	1043	Dr BdRoom1
C#0	971	Pc AnaClick
D 0	494	Pc Wataiko
D#0	1369	Dr SdHpStk4
E 0	862	Pc Quint1Opn
F 0	506	Pc SmlTablTak
F#0	1442	Dr SdT9Rim
G 0	1194	Dr SdNmSt1-4
G#0	1464	Dr SdR&B1Rm
A 0	999	Dr BdNmSt1-2
A#0	1228	Dr SdFk3R
B 0	1063	Dr BdT8-3
C 1	1075	Dr BdR&B1
C#1	1380	Dr SdClRim3
D 1	1348	Dr SdPcRim
D#1	940	Pc HandClapSt
E 1	1464	Dr SdR&B1Rm
F 1	1063	Dr BdT8-3
F#1	1601	Dr HHClT8-2
G 1	1063	Dr BdT8-3
G#1	1599	Dr HHClT8-1
A 1	1063	Dr BdT8-3
A#1	1602	Dr HHOpT8-2
B 1	1063	Dr BdT8-3
C 2	1660	Dr TomT8
C#2	1670	Dr CrashSt
D 2	1660	Dr TomT8
D#2	1682	Dr RideCym St
E 2	1701	Dr ChinaSt
F 2	1690	Dr RideCup St
F#2	912	Pc TambrnSw
G 2	1674	Dr Crash
G#2	945	Pc CowBell1
A 2	1710	Dr CrashT9
A#2	958	Pc CowBellT8
B 2	1682	Dr RideCym St
C 3	873	Pc Bongo H1
C#3	872	Pc Bongo L
D 3	859	Pc CongaTip
D#3	858	Pc CongaOpSlp
E 3	857	Pc Conga Opn
F 3	813	Se HiQ1
F#3	813	Se HiQ1
G 3	923	Pc AgogoLo
G#3	962	Pc AnaShaker
A 3	962	Pc AnaShaker
A#3	891	Pc MaracasSlr
B 3	776	Me VoxDrum
C 4	776	Me VoxDrum
C#4	813	Se HiQ1
D 4	814	Se HiQ2
D#4	969	Pc ClaveT8
E 4	813	Se HiQ1
F 4	848	Se ScratchSpn
F#4	838	Se ScratchHIR
G 4	837	Se ScratchHIF
G#4	939	Pc TriangleMt
A 4	938	Pc TriangleOp
A#4	900	Pc Shaker 2
B 4	913	Pc TambrnHit
C 5	952	Pc BellTree
C#5	1496	Dr SdLofi
D 5	1363	Dr SdRkStk2St
D#5	1347	Dr SdPicol
E 5	1465	Dr SdR&B2
F 5	1076	Dr BdR&B2
F#5	1489	Dr SdFM
G 5	1077	Dr BdHipDp
G#5	1495	Dr SdHammr
A 5	1100	Dr BdSlimy
A#5	740	Me HH Hit
B 5	1063	Dr BdT8-3
C 6	821	Se TurnTable

PRE 22 R&B Kit3

Note	Wave No.	Wave Name
C 0	265	Gt PlayFx Mix
C#0	1835	Se Ab FX08
D 0	1833	Se Ab FX06
D#0	1718	Se Ag FX02 St
E 0	1848	Se Eb FX 12
F 0	1852	Se Eb FX 16
F#0	1513	Dr HHCl1s-4RL
G 0	999	Dr BdNmSt1-2
G#0	1521	Dr HHPdI3 St
A 0	1194	Dr SdNmSt1-4
A#0	1536	Dr HHOpn2 St
B 0	1063	Dr BdT8-3
C 1	1075	Dr BdR&B1
C#1	1380	Dr SdClRim3
D 1	1348	Dr SdPcRim
D#1	940	Pc HandClapSt
E 1	1464	Dr SdR&B1Rm
F 1	1063	Dr BdT8-3
F#1	1601	Dr HHClT8-2
G 1	1063	Dr BdT8-3
G#1	1599	Dr HHClT8-1
A 1	1063	Dr BdT8-3
A#1	1602	Dr HHOpT8-2
B 1	1063	Dr BdT8-3
C 2	1660	Dr TomT8
C#2	1670	Dr CrashSt
D 2	1660	Dr TomT8
D#2	1682	Dr RideCym St
E 2	1701	Dr ChinaSt
F 2	1690	Dr RideCup St
F#2	912	Pc TambrnSw
G 2	1674	Dr Crash
G#2	962	Pc AnaShaker
A 2	962	Pc AnaShaker
A#2	967	Pc MarcsT8
B 2	967	Pc MarcsT8
C 3	887	Pc GanzAc
C#3	888	Pc GanzBk
D 3	889	Pc GanzFw
D#3	890	Pc Maracas1-2
E 3	891	Pc MaracasSlr
F 3	893	Pc Cabasa1-2
F#3	894	Pc Cabasa1
G 3	895	Pc Cabasa2
G#3	896	Pc Caxixi1-2
A 3	962	Pc AnaShaker
A#3	898	Pc Caxixi2
B 3	899	Pc Shaker 1
C 4	899	Pc Shaker 1
C#4	902	Pc ShakerHip1
D 4	905	Pc ShakerHip4
D#4	969	Pc ClaveT8
E 4	863	Pc Quint1Slp
F 4	848	Se ScratchSpn
F#4	838	Se ScratchHIR
G 4	837	Se ScratchHIF
G#4	939	Pc TriangleMt
A 4	938	Pc TriangleOp
A#4	917	Pc PandierTip
B 4	913	Pc TambrnHit
C 5	1095	Dr BdHardLong
C#5	1496	Dr SdLofi
D 5	1363	Dr SdRkStk2St
D#5	1347	Dr SdPicol
E 5	821	Se TurnTable
F 5	1465	Dr SdR&B2
F#5	1546	Dr HHClFSt
G 5	1077	Dr BdHipDp
G#5	1550	Dr HHHiI2St
A 5	1100	Dr BdSlimy
A#5	1554	Dr HHOp2St
B 5	736	Me TranCho
C 6	1063	Dr BdT8-3

PRE 23 AnalogT9

Note	Wave No.	Wave Name
C 0	1055	Dr BdT9-2
C#0	1451	Dr SdAnCR
D 0	1440	Dr SdT9-5
D#0	954	Pc ClapAnSm
E 0	1441	Dr SdT9Gate
F 0	1381	Dr SdRkRolSt
F#0	1438	Dr SdT9-3
G 0	1439	Dr SdT9-4
G#0	1441	Dr SdT9Gate
A 0	1057	Dr BdT9-4
A#0	1440	Dr SdT9-5
B 0	1054	Dr BdT9-1
C 1	1056	Dr BdT9-3
C#1	1442	Dr SdT9Rim
D 1	1436	Dr SdT9-1
D#1	953	Pc ClapT9
E 1	1437	Dr SdT9-2
F 1	1659	Dr TomT9Lo
F#1	1597	Dr HHClT9
G 1	1659	Dr TomT9Lo
G#1	1598	Dr HHOpT9
A 1	1659	Dr TomT9Lo
A#1	1598	Dr HHOpT9
B 1	1658	Dr TomT9Hi
C 2	1658	Dr TomT9Hi
C#2	1710	Dr CrashT9
D 2	1658	Dr TomT9Hi
D#2	1713	Dr RideT9
E 2	1705	Dr China
F 2	1699	Dr CupMono
F#2	963	Pc TambrnRX5
G 2	1674	Dr Crash
G#2	945	Pc CowBell1
A 2	1675	Dr Crash2
A#2	958	Pc CowBellT8
B 2	1688	Dr RideR
C 3	957	Pc CongaT8
C#3	957	Pc CongaT8
D 3	859	Pc CongaTip
D#3	858	Pc CongaOpSlp
E 3	857	Pc Conga Opn
F 3	875	Pc TmbaleH1-3
F#3	879	Pc TmbaleL1-3
G 3	971	Pc AnaClick
G#3	957	Pc CongaT8
A 3	893	Pc Cabasa1-2
A#3	891	Pc MaracasSlr
B 3	818	Se FxGun2
C 4	819	Se FxGun1
C#4	834	Se Scratch H
D 4	836	Se ScratchDwn
D#4	813	Se HiQ1
E 4	813	Se HiQ1
F 4	814	Se HiQ2
F#4	835	Se Scratch L
G 4	835	Se Scratch L
G#4	939	Pc TriangleMt
A 4	938	Pc TriangleOp
A#4	962	Pc AnaShaker
B 4	951	Pc SleighBel
C 5	952	Pc BellTree
C#5	1347	Dr SdPicol
D 5	1447	Dr SdT8-5
D#5	1384	Dr SdRkRolDSt
E 5	1394	Dr SdBrmI2St
F 5	1069	Dr BdBlpHd
F#5	1455	Dr SdJngl1
G 5	1093	Dr BdSus
G#5	1459	Dr SdD&B1
A 5	1080	Dr BdBreak2
A#5	1485	Dr SdDodgH
B 5	1094	Dr BdTekPower
C 6	1088	Dr BdDistIRM

PRE 24 AnalogT8

Note	Wave No.	Wave Name
C 0	1061	Dr BdT8-1
C#0	1451	Dr SdAnCR
D 0	1446	Dr SdT8-4
D#0	1484	Dr SdClpAna
E 0	1445	Dr SdT8-3
F 0	1660	Dr TomT8
F#0	1447	Dr SdT8-5
G 0	1063	Dr BdT8-3
G#0	1446	Dr SdT8-4
A 0	1062	Dr BdT8-2
A#0	1445	Dr SdT8-3
B 0	617	Wv T8KickBass
C 1	1061	Dr BdT8-1
C#1	1448	Dr SdT8Rim
D 1	1444	Dr SdT8-2
D#1	953	Pc ClapT9
E 1	1443	Dr SdT8-1
F 1	1660	Dr TomT8
F#1	1601	Dr HHClT8-2
G 1	1660	Dr TomT8
G#1	1600	Dr HHOpT8-1
A 1	1660	Dr TomT8
A#1	1600	Dr HHOpT8-1
B 1	1660	Dr TomT8
C 2	1660	Dr TomT8
C#2	1711	Dr CrashT8
D 2	1660	Dr TomT8
D#2	1713	Dr RideT9
E 2	1705	Dr China
F 2	1699	Dr CupMono
F#2	963	Pc TambrnRX5
G 2	1708	Dr SplashR
G#2	958	Pc CowBellT8
A 2	1675	Dr Crash2
A#2	935	Pc Vibraslap
B 2	1688	Dr RideR
C 3	957	Pc CongaT8
C#3	957	Pc CongaT8
D 3	957	Pc CongaT8
D#3	957	Pc CongaT8
E 3	957	Pc CongaT8
F 3	876	Pc TmbaleH11-3
F#3	880	Pc TmbaleLo1-3
G 3	791	Se Glass
G#3	791	Se Glass
A 3	893	Pc Cabasa1-2
A#3	967	Pc MarcsT8
B 3	818	Se FxGun2
C 4	819	Se FxGun1
C#4	962	Pc AnaShaker
D 4	962	Pc AnaShaker
D#4	969	Pc ClaveT8
E 4	813	Se HiQ1
F 4	814	Se HiQ2
F#4	835	Se Scratch L
G 4	835	Se Scratch L
G#4	939	Pc TriangleMt
A 4	938	Pc TriangleOp
A#4	962	Pc AnaShaker
B 4	951	Pc SleighBel
C 5	952	Pc BellTree
C#5	1466	Dr SdHip1
D 5	1467	Dr SdHip2
D#5	1469	Dr SdHipGate
E 5	1475	Dr SdBreak1
F 5	1068	Dr BdBlip
F#5	1480	Dr SdFxm
G 5	1090	Dr BdFxmHmr
G#5	1495	Dr SdHammr
A 5	1091	Dr BdZapHrd
A#5	1488	Dr SdDodgH
B 5	1094	Dr BdTekPower
C 6	1100	Dr BdSlimy

PRE 25 Tekno Kit

Note	Wave No.	Wave Name
C 0	1100	Dr BdSlimy
C#0	1442	Dr SdT9Rim
D 0	1447	Dr SdT8-5
D#0	953	Pc ClapT9
E 0	1438	Dr SdT9-3
F 0	1453	Dr SdHuman1
F#0	1468	Dr SdHip3
G 0	1439	Dr SdT9-4
G#0	1467	Dr SdHip2
A 0	1099	Dr BdThkSkn
A#0	1437	Dr SdT9-2
B 0	1086	Dr BdDist4
C 1	1092	Dr BdZapMid
C#1	1448	Dr SdT8Rim
D 1	1447	Dr SdT8-5
D#1	953	Pc ClapT9
E 1	1491	Dr SdSyn
F 1	1660	Dr TomT8
F#1	1617	Dr HHClLoFi
G 1	1660	Dr TomT8
G#1	1618	Dr HHOpLoFi
A 1	1660	Dr TomT8
A#1	1618	Dr HHOpLoFi
B 1	1660	Dr TomT8
C 2	1660	Dr TomT8
C#2	1711	Dr CrashT8
D 2	1660	Dr TomT8
D#2	1713	Dr RideT9
E 2	1674	Dr Crash
F 2	1699	Dr CupMono
F#2	964	Pc TambrnAnCR
G 2	1671	Dr CrashL
G#2	958	Pc CowBellT8
A 2	1710	Dr CrashT9
A#2	958	Pc CowBellT8
B 2	1712	Dr CrashSyn
C 3	957	Pc CongaT8
C#3	957	Pc CongaT8
D 3	957	Pc CongaT8
D#3	957	Pc CongaT8
E 3	957	Pc CongaT8
F 3	875	Pc TmbaleH11-3
F#3	879	Pc TmbaleL1-3
G 3	791	Se Glass
G#3	791	Se Glass
A 3	894	Pc Cabasa1
A#3	967	Pc MarcsT8
B 3	818	Se FxGun2
C 4	819	Se FxGun1
C#4	834	Se Scratch H
D 4	836	Se ScratchDwn
D#4	813	Se HiQ1
E 4	813	Se HiQ1
F 4	814	Se HiQ2
F#4	835	Se Scratch L
G 4	835	Se Scratch L
G#4	939	Pc TriangleMt
A 4	938	Pc TriangleOp
A#4	962	Pc AnaShaker
B 4	951	Pc SleighBel
C 5	1104	Dr BdElec4
C#5	1107	Dr BdEiComp3
D 5	1109	Dr BdEiFX2
D#5	1111	Dr BdEiClick
E 5	1112	Dr BdEiPwr1
F 5	1113	Dr BdEiPwr2
F#5	1103	Dr BdElec3
G 5	1101	Dr BdElec1
G#5	1429	Dr SdElec6
A 5	1430	Dr SdElec7
A#5	1431	Dr SdElec8
B 5	1432	Dr SdElec9
C 6	1435	Dr SdElec12

PRE 26 House Kit1

Note	Wave No.	Wave Name
C 0	1057	Dr BdT9-4
C#0	1448	Dr SdT8Rim
D 0	1447	Dr SdT8-5
D#0	940	Pc HandClapSt
E 0	1488	Dr SdDodgL
F 0	1387	Dr SdLvRoISt
F#0	1438	Dr SdT9-3
G 0	1443	Dr SdT8-1
G#0	1440	Dr SdT9-5
A 0	1054	Dr BdT9-1
A#0	1441	Dr SdT9Gate
B 0	1055	Dr BdT9-2
C 1	1056	Dr BdT9-3
C#1	1442	Dr SdT9Rim
D 1	1436	Dr SdT9-1
D#1	953	Pc ClapT9
E 1	1437	Dr SdT9-2
F 1	1659	Dr TomT9Lo
F#1	1599	Dr HHClT8-1
G 1	1659	Dr TomT9Lo
G#1	1598	Dr HHOpT9
A 1	1659	Dr TomT9Lo
A#1	1598	Dr HHOpT9
B 1	1658	Dr TomT9Hi
C 2	1658	Dr TomT9Hi
C#2	1710	Dr CrashT9
D 2	1658	Dr TomT9Hi
D#2	1713	Dr RideT9
E 2	1674	Dr Crash
F 2	1699	Dr CupMono
F#2	913	Pc TambrnHit
G 2	1674	Dr Crash
G#2	945	Pc Cowbell1
A 2	1670	Dr CrashSt
A#2	958	Pc CowBelT8
B 2	1682	Dr RideCym St
C 3	873	Pc Bongo H1
C#3	872	Pc Bongo L
D 3	859	Pc CongaTip
D#3	858	Pc CongaOpSlp
E 3	857	Pc Conga Opn
F 3	876	Pc TimbaleH1
F#3	876	Pc TimbaleH1
G 3	923	Pc AgogoLo
G#3	923	Pc AgogoLo
A 3	894	Pc Cabasa1
A#3	891	Pc MaracasSlr
B 3	776	Me VoxDrum
C 4	776	Me VoxDrum
C#4	926	Pc GuiroShort
D 4	925	Pc GuiroLong
D#4	933	Pc Clave
E 4	934	Pc WoodBlock
F 4	934	Pc WoodBlock
F#4	871	Pc CuicaHi
G 4	870	Pc CuicaLo
G#4	939	Pc TriangleMt
A 4	938	Pc TriangleOp
A#4	962	Pc AnaShaker
B 4	951	Pc SleighBel
C 5	952	Pc BellTree
C#5	1479	Dr SdBkRim
D 5	795	Se NzBurst
D#5	731	Me VoxBell
E 5	1463	Dr SdR&B1
F 5	741	Me VoxAlk
F#5	519	Pc Udo Hi
G 5	736	Me TranCho
G#5	750	Me Swarm
A 5	1040	Dr BdPop
A#5	1464	Dr SdR&B1Rm
B 5	1076	Dr BdR&B2
C 6	1674	Dr Crash

PRE 27 House Kit2

Note	Wave No.	Wave Name
C 0	1055	Dr BdT9-4
C#0	1448	Dr SdT8Rim
D 0	523	Pc Dohol H
D#0	953	Pc ClapT9
E 0	1437	Dr SdT9-2
F 0	1441	Dr SdT9Gate
F#0	1454	Dr SdHuman2
G 0	1480	Dr SdFx1
G#0	1496	Dr SdLofi
A 0	1059	Dr BdT9Hd2
A#0	1442	Dr SdT9Rim
B 0	1056	Dr BdT9-3
C 1	1058	Dr BdT9Hd1
C#1	1442	Dr SdT9Rim
D 1	1437	Dr SdT9-2
D#1	795	Se NzBurst
E 1	1164	Dr SdPwL1-4
F 1	1491	Dr SdSyn
F#1	1597	Dr HHClT9
G 1	1491	Dr SdSyn
G#1	1598	Dr HHOpT9
A 1	1491	Dr SdSyn
A#1	1598	Dr HHOpT9
B 1	1491	Dr SdSyn
C 2	1491	Dr SdSyn
C#2	1710	Dr CrashT9
D 2	1491	Dr SdSyn
D#2	1713	Dr RideT9
E 2	1712	Dr CrashSyn
F 2	1699	Dr CupMono
F#2	913	Pc TambrnHit
G 2	1711	Dr CrashT8
G#2	945	Pc Cowbell1
A 2	1674	Dr Crash
A#2	958	Pc CowBelT8
B 2	1682	Dr RideCym St
C 3	873	Pc Bongo H1
C#3	872	Pc Bongo L
D 3	860	Pc CongaBtm
D#3	858	Pc CongaOpSlp
E 3	857	Pc Conga Opn
F 3	1661	Dr TomSyn1
F#3	1661	Dr TomSyn1
G 3	971	Pc AnaClick
G#3	1497	Dr SdRimSE
A 3	894	Pc Cabasa1
A#3	891	Pc MaracasSlr
B 3	776	Me VoxDrum
C 4	776	Me VoxDrum
C#4	964	Pc TambrnAnCR
D 4	962	Pc AnaShaker
D#4	969	Pc ClaveT8
E 4	963	Pc TambrnRX5
F 4	959	Pc CowBelRX11
F#4	962	Pc AnaShaker
G 4	837	Se ScratchHIF
G#4	939	Pc TriangleMt
A 4	938	Pc TriangleOp
A#4	962	Pc AnaShaker
B 4	951	Pc SleighBel
C 5	952	Pc BellTree
C#5	499	Pc TablaBya
D 5	500	Pc TablaNah
D#5	501	Pc TablaMut
E 5	731	Me VoxBell
F 5	1040	Dr BdPop
F#5	519	Pc Udo Hi
G 5	1053	Dr BdFXGate
G#5	795	Se NzBurst
A 5	1054	Dr BdT9-1
A#5	1479	Dr SdBkRim
B 5	1674	Dr Crash
C 6	821	Se TurnTable

PRE 28 Big Kit

Note	Wave No.	Wave Name
C 0	1053	Dr BdFXGate
C#0	872	Pc Bongo L
D 0	1359	Dr SdGM
D#0	940	Pc HandClapSt
E 0	1354	Dr SdGate2
F 0	1381	Dr SdRkRoISt
F#0	1332	Dr SdRkRim1St
G 0	1347	Dr SdPicol
G#0	1344	Dr SdRkFimSt
A 0	1044	Dr BdRoom2
A#0	1360	Dr SdRkStk1St
B 0	1045	Dr BdRoom3
C 1	1052	Dr BdGate
C#1	1351	Dr SdMdRim
D 1	1353	Dr SdGate1
D#1	954	Pc ClapAnSm
E 1	1352	Dr SdAmb
F 1	1657	Dr TomAmbLo
F#1	1608	Dr HHClRkSR
G 1	1657	Dr TomAmbLo
G#1	1609	Dr HHPdlD&B
A 1	1657	Dr TomAmbLo
A#1	1610	Dr HHPdlD&B
B 1	1656	Dr TomAmbHi
C 2	1656	Dr TomAmbHi
C#2	1670	Dr CrashSt
D 2	1656	Dr TomAmbHi
D#2	1682	Dr RideCym St
E 2	1701	Dr ChinaSt
F 2	1699	Dr CupMono
F#2	913	Pc TambrnHit
G 2	1674	Dr Crash
G#2	945	Pc Cowbell1
A 2	1670	Dr CrashSt
A#2	935	Pc Vibraslap
B 2	1682	Dr RideCym St
C 3	873	Pc Bongo H1
C#3	872	Pc Bongo L
D 3	859	Pc CongaTip
D#3	858	Pc CongaOpSlp
E 3	857	Pc Conga Opn
F 3	1089	Dr Bd+HH
F#3	1089	Dr Bd+HH
G 3	923	Pc AgogoLo
G#3	923	Pc AgogoLo
A 3	894	Pc Cabasa1
A#3	891	Pc MaracasSlr
B 3	818	Se FxGun2
C 4	819	Se FxGun1
C#4	834	Se Scratch H
D 4	836	Se ScratchDwn
D#4	933	Pc Clave
E 4	934	Pc WoodBlock
F 4	934	Pc WoodBlock
F#4	835	Se Scratch L
G 4	835	Se Scratch L
G#4	939	Pc TriangleMt
A 4	938	Pc TriangleOp
A#4	900	Pc Shaker 2
B 4	951	Pc SleighBel
C 5	952	Pc BellTree
C#5	1485	Dr SdDist
D 5	1489	Dr SdFM
D#5	1490	Dr SdFMrim
E 5	1492	Dr SdClappy
F 5	1045	Dr BdRoom3
F#5	1493	Dr SdTimbr
G 5	1032	Dr BdRk1St
G#5	1497	Dr SdRimSE
A 5	1035	Dr BdRk2St
A#5	1479	Dr SdBkRim
B 5	1073	Dr BdD&B1
C 6	1044	Dr BdRoom2

PRE 29 Break Kit

Note	Wave No.	Wave Name
C 0	1078	Dr BdBrkDp
C#0	1318	Dr SdHip1St
D 0	1496	Dr SdLofi
D#0	1492	Dr SdClappy
E 0	1355	Dr SdLdwHMMono
F 0	1384	Dr SdRkRoISt
F#0	1353	Dr SdGate1
G 0	1350	Dr SdMid
G#0	1356	Dr SdBrim
A 0	1081	Dr BdBreakHvy
A#0	1473	Dr SdHipRm4
B 0	1080	Dr BdBreak2
C 1	1079	Dr BdBreak1
C#1	1470	Dr SdHipRm1
D 1	1477	Dr SdBkRim
D#1	1475	Dr SdBkRim
E 1	1476	Dr SdBkRim
F 1	1632	Dr TomLow St
F#1	1567	Dr HHClRkSR
G 1	1632	Dr TomLow St
G#1	1580	Dr HHPdlRkR
A 1	1632	Dr TomLow St
A#1	1592	Dr HHPdlRkR
B 1	1624	Dr TomHi St
C 2	1624	Dr TomHi St
C#2	1671	Dr CrashL
D 2	1624	Dr TomHi St
D#2	1687	Dr RideL
E 2	1702	Dr ChinaL
F 2	1699	Dr CupMono
F#2	913	Pc TambrnHit
G 2	1674	Dr Crash
G#2	945	Pc Cowbell1
A 2	1672	Dr CrashR
A#2	959	Pc CowBelRX11
B 2	1698	Dr RideCym St
C 3	873	Pc Bongo H1
C#3	872	Pc Bongo L
D 3	859	Pc CongaTip
D#3	858	Pc CongaOpSlp
E 3	857	Pc Conga Opn
F 3	873	Pc Bongo H1
F#3	872	Pc Bongo L
G 3	857	Pc Conga Opn
G#3	923	Pc AgogoLo
A 3	894	Pc Cabasa1
A#3	891	Pc MaracasSlr
B 3	876	Pc TimbaleH1
C 4	880	Pc TimbaleL1
C#4	834	Se Scratch H
D 4	836	Se ScratchDwn
D#4	933	Pc Clave
E 4	934	Pc WoodBlock
F 4	934	Pc WoodBlock
F#4	835	Se Scratch L
G 4	835	Se Scratch L
G#4	939	Pc TriangleMt
A 4	938	Pc TriangleOp
A#4	900	Pc Shaker 2
B 4	951	Pc SleighBel
C 5	821	Se TurnTable
C#5	1479	Dr SdBkRim
D 5	622	Wv FMBass5
D#5	757	Me Mind Bell
E 5	1480	Dr SdFx1
F 5	1035	Dr BdRk2St
F#5	762	Me LfoSeq
G 5	790	Se Ripper
G#5	795	Se NzBurst
A 5	822	Se Police
A#5	755	Me Fairwave
B 5	750	Me Swarm
C 6	753	Me RadioNz

PRE 30 Drum'nBass

Note	Wave No.	Wave Name
C 0	1077	Dr BdHipDp
C#0	872	Pc Bongo L
D 0	1465	Dr SdR&B2
D#0	1493	Dr SdTimbr
E 0	1461	Dr SdD&B3
F 0	1495	Dr SdHammr
F#0	791	Se Glass
G 0	1074	Dr BdD&B2
G#0	1521	Dr HHPdl3 St
A 0	1077	Dr BdHipDp
A#0	1554	Dr HHPdl2St
B 0	1082	Dr BdBreakHrd
C 1	1073	Dr BdD&B1
C#1	1351	Dr SdMdRim
D 1	1459	Dr SdD&B1
D#1	795	Se NzBurst
E 1	1460	Dr SdD&B2
F 1	1657	Dr TomAmbLo
F#1	1608	Dr HHClD&B
G 1	1657	Dr TomAmbLo
G#1	1609	Dr HHPdlD&B
A 1	1657	Dr TomAmbLo
A#1	1610	Dr HHPdlD&B
B 1	1656	Dr TomAmbHi
C 2	1656	Dr TomAmbHi
C#2	1671	Dr CrashL
D 2	1656	Dr TomAmbHi
D#2	1682	Dr RideCym St
E 2	1705	Dr China
F 2	1699	Dr CupMono
F#2	913	Pc TambrnHit
G 2	1674	Dr Crash
G#2	945	Pc Cowbell1
A 2	1670	Dr CrashSt
A#2	935	Pc Vibraslap
B 2	1682	Dr RideCym St
C 3	873	Pc Bongo H1
C#3	872	Pc Bongo L
D 3	859	Pc CongaTip
D#3	858	Pc CongaOpSlp
E 3	857	Pc Conga Opn
F 3	1462	Dr SdD&B4
F#3	1611	Dr HHRvD&B
G 3	923	Pc AgogoLo
G#3	923	Pc AgogoLo
A 3	894	Pc Cabasa1
A#3	891	Pc MaracasSlr
B 3	818	Se FxGun2
C 4	819	Se FxGun1
C#4	926	Pc GuiroShort
D 4	925	Pc GuiroLong
D#4	933	Pc Clave
E 4	805	Se ElPerc8
F 4	799	Se ElPerc2
F#4	650	Wv P50-1
G 4	810	Se ElPerc13
G#4	821	Se TurnTable
A 4	938	Pc TriangleOp
A#4	900	Pc Shaker 2
B 4	951	Pc SleighBel
C 5	952	Pc BellTree
C#5	1485	Dr SdDist
D 5	1489	Dr SdFM
D#5	1490	Dr SdFMrim
E 5	1492	Dr SdClappy
F 5	1073	Dr BdD&B1
F#5	1493	Dr SdTimbr
G 5	1087	Dr BdDist5
G#5	1497	Dr SdRimSE
A 5	1086	Dr BdDist4
A#5	1468	Dr SdHip3
B 5	1100	Dr BdSlimy
C 6	1089	Dr Bd+HH

PRE 31 Acid Kit

Note	Wave No.	Wave Name
C 0	1096	Dr BdATite
C#0	1448	Dr SdT8Rim
D 0	1457	Dr SdJngl3
D#0	940	Pc HandClapSt
E 0	1443	Dr SdT8-1
F 0	1661	Dr TomSyn1
F#0	1289	Dr SdBhL1-3
G 0	1296	Dr SdBh3R
G#0	1248	Dr SdSonSt1-3
A 0	1008	Dr BdfkSt1-2
A#0	1232	Dr SdBsSt1-3
B 0	1068	Dr BdBlip
C 1	1057	Dr BdT9-4
C#1	1442	Dr SdT9Rim
D 1	1489	Dr SdFM
D#1	953	Pc ClapT9
E 1	1451	Dr SdAnCR
F 1	1659	Dr TomT9Lo
F#1	1612	Dr HHClITek
G 1	1659	Dr TomT9Lo
G#1	1612	Dr HHClITek
A 1	1659	Dr TomT9Lo
A#1	1613	Dr HHOpTek
B 1	1658	Dr TomT9Hi
C 2	1658	Dr TomT9Hi
C#2	1710	Dr CrashT9
D 2	1658	Dr TomT9Hi
D#2	1713	Dr RideT9
E 2	1674	Dr Crash
F 2	1695	Dr CupL
F#2	913	Pc TambrnHit
G 2	1674	Dr Crash
G#2	945	Pc Cowbell1
A 2	1706	Dr SplashSt
A#2	958	Pc CowBelT8
B 2	1698	Dr RideMono
C 3	873	Pc Bongo H1
C#3	872	Pc Bongo L
D 3	859	Pc CongaTip
D#3	858	Pc CongaOpSlp
E 3	857	Pc Conga Opn
F 3	876	Pc TmbaleH1
F#3	876	Pc TmbaleH1
G 3	922	Pc AgogoHi
G#3	923	Pc AgogoLo
A 3	894	Pc Cabasa1
A#3	891	Pc MaracasSlr
B 3	818	Se FxGun2
C 4	819	Se FxGun1
C#4	834	Se Scratch H
D 4	836	Se ScratchDwn
D#4	813	Se HIQ1
E 4	813	Se HIQ1
F 4	814	Se HIQ2
F#4	835	Se Scratch L
G 4	835	Se Scratch L
G#4	939	Pc TriangleMt
A 4	938	Pc TriangleOp
A#4	962	Pc AnaShaker
B 4	951	Pc SleighBel
C 5	952	Pc BellTree
C#5	1440	Dr SdT9-5
D 5	1440	Dr SdT9-5
D#5	1440	Dr SdT9-5
E 5	1440	Dr SdT9-5
F 5	1066	Dr BdHuman1
F#5	1459	Dr SdD&B1
G 5	1830	Se Ab FX03
G#5	681	Wv DigiOsc4
A 5	680	Wv DigiOsc3
A#5	1475	Dr SdBreak1
B 5	1070	Dr BdJngl1
C 6	1081	Dr BdBreakHvy

PRE 32 Jungle Kit

Note	Wave No.	Wave Name
C 0	1071	Dr BdJngl2
C#0	1351	Dr SdMdRim
D 0	1457	Dr SdJngl3
D#0	1457	Dr SdJngl3
E 0	1348	Dr SdPcRim
F 0	1390	Dr SdRollMono
F#0	1494	Dr SdWood
G 0	1465	Dr SdR&B2
G#0	1460	Dr SdD&B2
A 0	1071	Dr BdJngl2
A#0	1458	Dr SdJnglFx
B 0	1061	Dr BdT8-1
C 1	1070	Dr BdJngl1
C#1	1473	Dr SdHipRm4
D 1	1456	Dr SdJngl2
D#1	1458	Dr SdJnglFx
E 1	1457	Dr SdJngl3
F 1	1637	Dr TomFlr L
F#1	1565	Dr HHClIRSw
G 1	1633	Dr TomLow L
G#1	1573	Dr HHPdIRkRSw
A 1	1630	Dr TomMid R
A#1	1588	Dr HHOpRkRSw
B 1	1630	Dr TomMid R
C 2	1626	Dr TomHi R
C#2	1671	Dr CrashL
D 2	1626	Dr TomHi R
D#2	1688	Dr RideR
E 2	1705	Dr China
F 2	1699	Dr CupMono
F#2	913	Pc TambrnHit
G 2	1674	Dr Crash
G#2	945	Pc Cowbell1
A 2	1670	Dr CrashSt
A#2	935	Pc Vibraslap
B 2	1682	Dr RideCym St
C 3	873	Pc Bongo H1
C#3	872	Pc Bongo L
D 3	859	Pc CongaTip
D#3	858	Pc CongaOpSlp
E 3	857	Pc Conga Opn
F 3	500	Pc TablaNah
F#3	499	Pc TablaBya
G 3	923	Pc AgogoLo
G#3	923	Pc AgogoLo
A 3	894	Pc Cabasa1
A#3	891	Pc MaracasSlr
B 3	876	Pc TmbaleH1
C 4	880	Pc TmbaleLo1
C#4	926	Pc GuiroShort
D 4	925	Pc GuiroLong
D#4	933	Pc Clave
E 4	934	Pc WoodBlock
F 4	934	Pc WoodBlock
F#4	871	Pc CuicaHi
G 4	870	Pc CuicaLo
G#4	939	Pc TriangleMt
A 4	938	Pc TriangleOp
A#4	900	Pc Shaker 2
B 4	951	Pc SleighBel
C 5	952	Pc BellTree
C#5	1611	Dr HHRvD&B
D 5	833	Se RainLoop
D#5	834	Se Scratch H
E 5	835	Se Scratch L
F 5	1069	Dr BdBlipHd
F#5	1491	Dr SdSyn
G 5	794	Se IndusTom
G#5	915	Pc PandieroOp
A 5	790	Se Ripper
A#5	828	Se TelRing
B 5	840	Se ScratchLoR
C 6	817	Se TapeRewnd

PRE 33 Electric

Note	Wave No.	Wave Name
C 0	1065	Dr BdAnCR
C#0	1068	Dr BdBlip
D 0	1447	Dr SdT8-5
D#0	954	Pc ClapAnSm
E 0	1471	Dr SdHipRm2
F 0	1390	Dr SdRollMono
F#0	1443	Dr SdT8-1
G 0	1451	Dr SdAnCR
G#0	1444	Dr SdT8-2
A 0	1061	Dr BdT8-1
A#0	1446	Dr SdT8-4
B 0	1068	Dr BdHuman2
C 1	1062	Dr BdT8-2
C#1	1448	Dr SdT8Rim
D 1	1445	Dr SdT8-3
D#1	953	Pc ClapT9
E 1	954	Pc ClapAnSm
F 1	1662	Dr TomSyn2
F#1	1601	Dr HHClIT8-2
G 1	1662	Dr TomSyn2
G#1	1600	Dr HHOpT8-1
A 1	1662	Dr TomSyn2
A#1	1602	Dr HHOpT8-2
B 1	1662	Dr TomSyn2
C 2	1662	Dr TomSyn2
C#2	1710	Dr CrashT9
D 2	1662	Dr TomSyn2
D#2	1713	Dr RideT9
E 2	1674	Dr Crash
F 2	1712	Dr CrashSyn
F#2	1711	Dr CrashT8
G 2	1674	Dr Crash
G#2	1497	Dr SdRimSE
A 2	1670	Dr CrashSt
A#2	958	Pc CowBelT8
B 2	1712	Dr CrashSyn
C 3	1660	Dr TomT8
C#3	1660	Dr TomT8
D 3	1660	Dr TomT8
D#3	1660	Dr TomT8
E 3	1660	Dr TomT8
F 3	832	Se Applause
F#3	823	Se DoorSgk
G 3	824	Se HeartBeat
G#3	816	Se Bomb
A 3	1618	Dr HHOpLoFi
A#3	899	Pc Shaker 1
B 3	797	Se Zap2
C 4	796	Se Zap1
C#4	834	Se Scratch H
D 4	835	Se Scratch L
D#4	813	Se HIQ1
E 4	813	Se HIQ1
F 4	814	Se HIQ2
F#4	835	Se Scratch L
G 4	775	Me HitOrch2
G#4	1621	Dr HHClIFx
A 4	1622	Dr HHOpFx
A#4	962	Pc AnaShaker
B 4	962	Pc AnaShaker
C 5	821	Se TurnTable
C#5	1479	Dr SdBkRim1R
D 5	622	Wv FMBass5
D#5	757	Me Mind Bell
E 5	1476	Dr SdBkRim2
F 5	1035	Dr BdRk2St
F#5	753	Me RadioNz
G 5	790	Se Ripper
G#5	795	Se NzBurst
A 5	848	Se ScratchSpn
A#5	743	Me BellChoir
B 5	745	Me HiLo
C 6	753	Me RadioNz

PRE 34 Human Kit

Note	Wave No.	Wave Name
C 0	1066	Dr BdHuman1
C#0	845	Se ScratchVoF
D 0	774	Me Hit Uhh
D#0	846	Se ScratchVoR
E 0	1458	Dr SdJnglFx
F 0	1381	Dr SdRkRolSt
F#0	1475	Dr SdBkRim1
G 0	1451	Dr SdAnCR
G#0	1436	Dr SdT9-1
A 0	1093	Dr BdSus
A#0	1366	Dr SdHpStk1
B 0	1067	Dr BdHuman2
C 1	1067	Dr BdHuman2
C#1	1494	Dr SdWood
D 1	1453	Dr SdHuman1
D#1	1487	Dr SdDodgH
E 1	1454	Dr SdHuman2
F 1	1066	Dr BdHuman1
F#1	1623	Dr HHOpHuman
G 1	1066	Dr BdHuman1
G#1	1623	Dr HHOpHuman
A 1	1066	Dr BdHuman1
A#1	1623	Dr HHOpHuman
B 1	1066	Dr BdHuman1
C 2	1066	Dr BdHuman1
C#2	795	Se NzBurst
D 2	1066	Dr BdHuman1
D#2	1711	Dr CrashT8
E 2	1705	Dr China
F 2	1699	Dr CupMono
F#2	844	Se ScratchSdR
G 2	1706	Dr SplashSt
G#2	776	Me VoxDrum
A 2	1675	Dr Crash2
A#2	966	Pc ElTambrn2
B 2	773	Me StabAah
C 3	873	Pc Bongo H1
C#3	872	Pc Bongo L
D 3	859	Pc CongaTip
D#3	858	Pc CongaOpSlp
E 3	857	Pc Conga Opn
F 3	875	Pc TmbaleH1-3
F#3	879	Pc Tmbale1-3
G 3	923	Pc AgogoLo
G#3	923	Pc AgogoLo
A 3	894	Pc Cabasa1
A#3	891	Pc MaracasSlr
B 3	818	Se FxGun2
C 4	816	Se Bomb
C#4	834	Se Scratch H
D 4	836	Se ScratchDwn
D#4	839	Se ScratchLoF
E 4	840	Se ScratchLoR
F 4	814	Se HIQ2
F#4	835	Se Scratch L
G 4	835	Se Scratch L
G#4	939	Pc TriangleMt
A 4	938	Pc TriangleOp
A#4	900	Pc Shaker 2
B 4	951	Pc SleighBel
C 5	821	Se TurnTable
C#5	1334	Dr SdRkRim1R
D 5	825	Se Helicopter
D#5	771	Me StabHard
E 5	1353	Dr SdGate1
F 5	1032	Dr BdRk1St
F#5	836	Se ScratchDwn
G 5	1064	Dr BdAnSm
G#5	765	Me Sonar1
A 5	494	Pc Wataiko
A#5	494	Pc Wataiko
B 5	740	Me HH Hit
C 6	772	Me StabOrgan2

PRE 35 Hard Kit

Note	Wave No.	Wave Name
C 0	1085	Dr BdDist3
C#0	1494	Dr SdWood
D 0	1353	Dr SdGate1
D#0	940	Pc HandClapSt
E 0	1354	Dr SdGate2
F 0	1390	Dr SdRollMono
F#0	1484	Dr SdClpAna
G 0	1468	Dr SdHip3
G#0	790	Se Ripper
A 0	1088	Dr BdDistRM
A#0	1448	Dr SdT8Rim
B 0	1044	Dr BdDist2
C 1	1083	Dr BdDist1
C#1	1351	Dr SdMdRim
D 1	1485	Dr SdDist
D#1	795	Se NzBurst
E 1	1481	Dr SdFx2
F 1	1665	Dr TomDistLo
F#1	1597	Dr HHClIT9
G 1	1665	Dr TomDistLo
G#1	1598	Dr HHOpT9
A 1	1665	Dr TomDistLo
A#1	1598	Dr HHOpT9
B 1	1664	Dr TomDistHi
C 2	1664	Dr TomDistHi
C#2	1710	Dr CrashT9
D 2	1664	Dr TomDistHi
D#2	1713	Dr RideT9
E 2	1705	Dr China
F 2	1699	Dr CupMono
F#2	964	Pc TambrnAnCR
G 2	1674	Dr Crash
G#2	958	Pc CowBelT8
A 2	1670	Dr CrashSt
A#2	935	Pc Vibraslap
B 2	1682	Dr RideCym St
C 3	1493	Dr SdTimbr
C#3	1493	Dr SdTimbr
D 3	859	Pc CongaTip
D#3	858	Pc CongaOpSlp
E 3	857	Pc Conga Opn
F 3	1089	Dr Bd+HH
F#3	1089	Dr Bd+HH
G 3	791	Se Glass
G#3	791	Se Glass
A 3	894	Pc Cabasa1
A#3	891	Pc MaracasSlr
B 3	818	Se FxGun2
C 4	819	Se FxGun1
C#4	834	Se Scratch H
D 4	836	Se ScratchDwn
D#4	813	Se HIQ1
E 4	813	Se HIQ1
F 4	814	Se HIQ2
F#4	835	Se Scratch L
G 4	835	Se Scratch L
G#4	939	Pc TriangleMt
A 4	938	Pc TriangleOp
A#4	962	Pc AnaShaker
B 4	951	Pc SleighBel
C 5	952	Pc BellTree
C#5	1485	Dr SdDist
D 5	1489	Dr SdFM
D#5	1490	Dr SdFMRim
E 5	1492	Dr SdClappy
F 5	1090	Dr BdFxHmr
F#5	794	Se IndusTom
G 5	1073	Dr BdD&B1
G#5	794	Se IndusTom
A 5	1045	Dr BdRoom3
A#5	794	Se IndusTom
B 5	1057	Dr BdT9-4
C 6	1495	Dr SdHammr

PRE 36 Distorted

Note	Wave No.	Wave Name
C 0	971	Pc AnaClick
C#0	1391	Dr SdBm1St
D 0	1397	Dr SdBrsWrSt
D#0	1394	Dr SdBm2St
E 0	1400	Dr SdBsWrAtSt
F 0	1387	Dr SdLvRolSt
F#0	932	Pc Castanet
G 0	1200	Dr SdNm1St
G#0	930	Pc Stick
A 0	1037	Dr BdRk2R
A#0	1303	Dr SdTgt1St
B 0	1079	Dr BdBreak1
C 1	1037	Dr BdRk2R
C#1	1365	Dr SdBkStk2R
D 1	1259	Dr SdSon1L
D#1	941	Pc HandClapL
E 1	1348	Dr SdPcRim
F 1	1657	Dr TomAmbLo
F#1	1576	Dr HHClRk2R
G 1	1657	Dr TomAmbLo
G#1	1580	Dr HHPdlRkR
A 1	1657	Dr TomAmbLo
A#1	1590	Dr HHOprRkR
B 1	1656	Dr TomAmbHi
C 2	1656	Dr TomAmbHi
C#2	1671	Dr CrashL
D 2	1656	Dr TomAmbHi
D#2	1688	Dr RideR
E 2	1702	Dr ChinaL
F 2	1696	Dr CupR
F#2	912	Pc TambnSw
G 2	1708	Dr SplashR
G#2	948	Pc MambobI2
A 2	1671	Dr CrashL
A#2	935	Pc Vibraslap
B 2	1682	Dr RideCym St
C 3	873	Pc Bongo H1
C#3	872	Pc Bongo L
D 3	859	Pc CongaTip
D#3	858	Pc CongaOpSlp
E 3	857	Pc Conga Opn
F 3	875	Pc TmbaleH1-3
F#3	879	Pc TmbaleL1-3
G 3	922	Pc AgogoHi
G#3	923	Pc AgogoLo
A 3	893	Pc Cabasa1-2
A#3	891	Pc MaracasSir
B 3	936	Pc Whistle
C 4	936	Pc Whistle
C#4	926	Pc GuiroShort
D 4	925	Pc GuiroLong
D#4	933	Pc Clave
E 4	934	Pc WoodBlock
F 4	934	Pc WoodBlock
F#4	854	Se ScratchCb2
G 4	838	Se ScratchHir
G#4	939	Pc TriangleMt
A 4	938	Pc TriangleOp
A#4	899	Pc Shaker 1
B 4	951	Pc SleighBel
C 5	952	Pc BellTree
C#5	1347	Dr SdPicol
D 5	1358	Dr SdHeavy
D#5	1484	Dr SdClpAna
E 5	1348	Dr SdPcRim
F 5	1044	Dr BdRoom2
F#5	1350	Dr SdMid
G 5	1045	Dr BdRoom3
G#5	1351	Dr SdMdRim
A 5	1052	Dr BdGate
A#5	1353	Dr SdGate1
B 5	1053	Dr BdFXGate
C 6	1073	Dr BdD&B1

PRE 37 Ambient

Note	Wave No.	Wave Name
C 0	1068	Dr BdBlip
C#0	814	Se HIQ2
D 0	1349	Dr SdPcRim2
D#0	813	Se HIQ1
E 0	1451	Dr SdAnCR
F 0	1661	Dr TomSyn1
F#0	1619	Dr HHClSyn
G 0	1661	Dr TomSyn1
G#0	1621	Dr HHClFx
A 0	1662	Dr TomSyn2
A#0	1620	Dr HHOpsyn
B 0	1065	Dr BdAnCR
C 1	1054	Dr BdT9-1
C#1	1368	Dr SdHpStk3
D 1	1455	Dr SdJngl1
D#1	953	Pc ClapT9
E 1	1455	Dr SdJngl1
F 1	1660	Dr TomT8
F#1	1601	Dr HHClT8-2
G 1	1660	Dr TomT8
G#1	1600	Dr HHOpt8-1
A 1	1660	Dr TomT8
A#1	1602	Dr HHOpt8-2
B 1	1660	Dr TomT8
C 2	1660	Dr TomT8
C#2	1712	Dr CrashSyn
D 2	1660	Dr TomT8
D#2	1713	Dr RideT9
E 2	1674	Dr Crash
F 2	1699	Dr CupMono
F#2	913	Pc TambnHit
G 2	1674	Dr Crash
G#2	958	Pc CowBellT8
A 2	1670	Dr CrashSt
A#2	935	Pc Vibraslap
B 2	1682	Dr RideCym St
C 3	873	Pc Bongo H1
C#3	872	Pc Bongo L
D 3	859	Pc CongaTip
D#3	858	Pc CongaOpSlp
E 3	857	Pc Conga Opn
F 3	875	Pc TmbaleH1-3
F#3	879	Pc TmbaleL1-3
G 3	791	Se Glass
G#3	791	Se Glass
A 3	894	Pc Cabasa1
A#3	967	Pc MarcasT8
B 3	829	Se Bird
C 4	779	Me EngrnRoomSt
C#4	811	Se ElPerc14
D 4	831	Se Gunshot
D#4	969	Pc ClaveT8
E 4	934	Pc WoodBlock
F 4	934	Pc WoodBlock
F#4	964	Pc TambnAnCR
G 4	960	Pc CowBelAnCR
G#4	939	Pc TriangleMt
A 4	938	Pc TriangleOp
A#4	962	Pc AnaShaker
B 4	951	Pc SleighBel
C 5	952	Pc BellTree
C#5	1447	Dr SdT8-5
D 5	765	Me Sonar1
D#5	1447	Dr SdT8-5
E 5	765	Me Sonar1
F 5	749	Me Bubble
F#5	1447	Dr SdT8-5
G 5	749	Me Bubble
G#5	1447	Dr SdT8-5
A 5	738	Me Eery
A#5	1447	Dr SdT8-5
B 5	733	Me WindChime
C 6	733	Me WindChime

PRE 38 Jazz Kit

Note	Wave No.	Wave Name
C 0	1044	Dr BdRoom2
C#0	1393	Dr SdBm1R
D 0	1400	Dr SdBsWrAtSt
D#0	1394	Dr SdBm2St
E 0	1400	Dr SdBsWrAtSt
F 0	1387	Dr SdLvRolSt
F#0	932	Pc Castanet
G 0	1318	Dr SdHip1St
G#0	930	Pc Stick
A 0	1013	Dr BdFkML
A#0	1363	Dr SdBkStk2St
B 0	1029	Dr BdFkSonSt
C 1	1008	Dr BdFkSt1-2
C#1	1376	Dr SdClRmSt
D 1	1303	Dr SdTgt1St
D#1	940	Pc HandClapT9
E 1	1282	Dr SdBHSt1-3
F 1	1636	Dr TomFlr St
F#1	1546	Dr HHClF1St
G 1	1636	Dr TomFlr St
G#1	1521	Dr HHPdl3 St
A 1	1632	Dr TomLow St
A#1	1554	Dr HHOpt2St
B 1	1628	Dr TomMid St
C 2	1628	Dr TomMid St
C#2	1670	Dr CrashSt
D 2	1624	Dr TomHi St
D#2	1682	Dr RideCym St
E 2	1701	Dr ChinaSt
F 2	1690	Dr RideCup St
F#2	913	Pc TambnHit
G 2	1706	Dr SplashSt
G#2	945	Pc Cowbell1
A 2	1670	Dr CrashSt
A#2	935	Pc Vibraslap
B 2	1682	Dr RideCym St
C 3	873	Pc Bongo H1
C#3	872	Pc Bongo L
D 3	859	Pc CongaTip
D#3	858	Pc CongaOpSlp
E 3	857	Pc Conga Opn
F 3	876	Pc TmbaleH1
F#3	876	Pc TmbaleH1-3
G 3	923	Pc AgogoLo
G#3	923	Pc AgogoLo
A 3	894	Pc Cabasa1
A#3	891	Pc MaracasSir
B 3	1397	Dr SdBrsWrSt
C 4	1397	Dr SdBrsWrSt
C#4	926	Pc GuiroShort
D 4	925	Pc GuiroLong
D#4	933	Pc Clave
E 4	934	Pc WoodBlock
F 4	934	Pc WoodBlock
F#4	871	Pc CuicaHi
G 4	870	Pc CuicaLo
G#4	939	Pc TriangleMt
A 4	938	Pc TriangleOp
A#4	900	Pc Shaker 2
B 4	951	Pc SleighBel
C 5	952	Pc BellTree
C#5	1274	Dr SdBLL1-3
D 5	1229	Dr SdFkAySt
D#5	1290	Dr SdBHr1-3
E 5	1268	Dr SdBIS1-2
F 5	1021	Dr BdLoL
F#5	1355	Dr SdLdwHMMono
G 5	1039	Dr BdDry2
G#5	1400	Dr SdBsWrAtSt
A 5	1100	Dr BdSlimy
A#5	1390	Dr SdRoilMono
B 5	1007	Dr BdNm2R
C 6	1674	Dr Crash

PRE 39 Orchestral

Note	Wave No.	Wave Name
C 0	971	Pc AnaClick
C#0	1395	Dr SdBm2L
D 0	1399	Dr SdBrsWrR
D#0	1395	Dr SdBm2L
E 0	1402	Dr SdBrsWrAtR
F 0	1421	Dr SdMrcRolSt
F#0	932	Pc Castanet
G 0	1404	Dr SdMrc1S St
G#0	930	Pc Stick
A 0	1049	Dr GrnCasMtSt
A#0	1409	Dr SdMrc1H L
B 0	1049	Dr GrnCasMtSt
C 1	1046	Dr GrnCasOpSt
C#1	1378	Dr SdClRmR
D 1	1405	Dr SdMrc1H St
D#1	940	Pc HandClapSt
E 1	1414	Dr SdMrc2H St
F 1	105	Cp TimpStSw
F#1	1498	Dr HHClS1-4St
G 1	105	Cp TimpStSw
G#1	1523	Dr HHPdl1-3 R
A 1	105	Cp TimpStSw
A#1	1534	Dr HHOpl1-2St
B 1	105	Cp TimpStSw
C 2	105	Cp TimpStSw
C#2	1676	Dr HndCymOpSt
D 2	105	Cp TimpStSw
D#2	1682	Dr RideCym St
E 2	1701	Dr ChinaSt
F 2	1690	Dr RideCup St
F#2	913	Pc TambnHit
G 2	1679	Dr HndCymMtSt
G#2	946	Pc CowbellT9
A 2	1666	Dr CrashCymSt
A#2	935	Pc Vibraslap
B 2	1686	Dr RideSt
C 3	873	Pc Bongo H1
C#3	872	Pc Bongo L
D 3	859	Pc CongaTip
D#3	857	Pc Conga Opn
E 3	866	Pc TumbaOpen
F 3	875	Pc TmbaleH1-3
F#3	879	Pc TmbaleL1-3
G 3	922	Pc AgogoHi
G#3	923	Pc AgogoLo
A 3	893	Pc Cabasa1-2
A#3	891	Pc MaracasSir
B 3	936	Pc Whistle
C 4	936	Pc Whistle
C#4	926	Pc GuiroShort
D 4	925	Pc GuiroLong
D#4	933	Pc Clave
E 4	934	Pc WoodBlock
F 4	934	Pc WoodBlock
F#4	871	Pc CuicaHi
G 4	870	Pc CuicaLo
G#4	939	Pc TriangleMt
A 4	938	Pc TriangleOp
A#4	899	Pc Shaker 1
B 4	951	Pc SleighBel
C 5	952	Pc BellTree
C#5	934	Pc WoodBlock
D 5	934	Pc WoodBlock
D#5	934	Pc WoodBlock
E 5	934	Pc WoodBlock
F 5	934	Pc WoodBlock
F#5	934	Pc WoodBlock
G 5	934	Pc WoodBlock
G#5	934	Pc WoodBlock
A 5	934	Pc WoodBlock
A#5	934	Pc WoodBlock
B 5	934	Pc WoodBlock
C 6	934	Pc WoodBlock

PRE 40 Garage

Note	Wave No.	Wave Name
C 0	1095	Dr BdHardLong
C#0	1054	Dr BdT9-1
D 0	1100	Dr BdSlimy
D#0	1097	Dr BdAnHard
E 0	1086	Dr BdDist4
F 0	1107	Dr BdEiComp3
F#0	1077	Dr BdHipDp
G 0	1090	Dr BdFxmHmr
G#0	1056	Dr BdT9-3
A 0	1063	Dr BdT8-3
A#0	1093	Dr BdSus
B 0	1076	Dr BdR&B2
C 1	1058	Dr BdT9Hd1
C#1	1100	Dr BdSlimy
D 1	1443	Dr SdT8-1
D#1	1448	Dr SdT8Rim
E 1	1492	Dr SdClappy
F 1	1273	Dr SdB3St
F#1	1536	Dr HHOpn2 St
G 1	1601	Dr HHClT8-2
G#1	1536	Dr HHOpn2 St
A 1	1602	Dr HHOpT8-2
A#1	1536	Dr HHOpn2 St
B 1	1602	Dr HHOpT8-2
C 2	954	Pc ClapAnSm
C#2	1670	Dr CrashSt
D 2	1710	Dr CrashT9
D#2	1682	Dr RideCym St
E 2	1713	Dr RideT9
F 2	971	Pc AnaClick
F#2	969	Pc ClaveT8
G 2	954	Pc ClapAnSm
G#2	953	Pc ClapT9
A 2	962	Pc AnaShaker
A#2	957	Pc CongaT8
B 2	957	Pc CongaT8
C 3	1451	Dr SdAnCR
C#3	1381	Dr SdBkRolSt
D 3	922	Pc AgogoHi
D#3	1704	Dr ChinaRL
E 3	814	Se HIQ2
F 3	813	Se HIQ1
F#3	797	Se Zap2
G 3	796	Se Zap1
G#3	797	Se Zap2
A 3	823	Se DoorSqk
A#3	855	Se ScratchCb3
B 3	1793	Se Ag FX27 St
C 4	265	Gt PlayFx Mix
C#4	837	Se ScratchHIF
D 4	70	Ep Wurli+
D#4	70	Ep Wurli+
E 4	70	Ep Wurli+
F 4	760	Me ResoXFade
F#4	765	Me Sonar1
G 4	776	Me VoxDrum
G#4	776	Me VoxDrum
A 4	776	Me VoxDrum
A#4	1620	Dr HHOpsyn
B 4	1619	Dr HHClSyn
C 5	652	Wv TriWv
C#5	652	Wv TriWv
D 5	652	Wv TriWv
D#5	652	Wv TriWv
E 5	652	Wv TriWv
F 5	652	Wv TriWv
F#5	652	Wv TriWv
G 5	652	Wv TriWv
G#5	652	Wv TriWv
A 5	652	Wv TriWv
A#5	652	Wv TriWv
B 5	652	Wv TriWv
C 6	652	Wv TriWv

PRE 41 All Round

Note	Wave No.	Wave Name
C 0	1095	Dr BdHardLong
C#0	1094	Dr BdTekPower
D 0	1087	Dr BdDist5
D#0	1085	Dr BdDist3
E 0	1083	Dr BdDist1
F 0	1073	Dr BdD&B1
F#0	1068	Dr BdBlip
G 0	1064	Dr BdAnSm
G#0	1062	Dr BdT8-2
A 0	1061	Dr BdT8-1
A#0	1060	Dr BdT9Hd3
B 0	1055	Dr BdT9-2
C 1	1056	Dr BdT9-3
C#1	1093	Dr BdSus
D 1	1436	Dr SdT9-1
D#1	1442	Dr SdT9Rim
E 1	1439	Dr SdT9-4
F 1	1659	Dr TomT9Lo
F#1	1597	Dr HHCIT9
G 1	1659	Dr TomT9Lo
G#1	1598	Dr HHOPT9
A 1	1659	Dr TomT9Lo
A#1	1598	Dr HHOPT9
B 1	953	Pc ClapT9
C 2	954	Pc ClapAnSm
C#2	1710	Dr CrashT9
D 2	957	Pc CongaT8
D#2	1713	Dr RideT9
E 2	957	Pc CongaT8
F 2	971	Pc AnaClick
F#2	969	Pc ClaveT8
G 2	967	Pc MarcsT8
G#2	964	Pc TambAnCR
A 2	962	Pc AnaShaker
A#2	958	Pc CowBelT8
B 2	960	Pc CowBelAnCR
C 3	1443	Dr SdT8-1
C#3	1444	Dr SdT8-2
D 3	1445	Dr SdT8-3
D#3	1451	Dr SdAnCR
E 3	1455	Dr SdJngl1
F 3	1459	Dr SdD&B1
F#3	1462	Dr SdD&B4
G 3	1463	Dr SdR&B1
G#3	1465	Dr SdR&B2
A 3	1466	Dr SdHip1
A#3	1494	Dr SdWood
B 3	1493	Dr SdTimbr
C 4	1599	Dr HHCIT8-1
C#4	1600	Dr HHOPT8-1
D 4	1601	Dr HHCIT8-2
D#4	1602	Dr HHOPT8-2
E 4	1521	Dr HHPdl3 St
F 4	1536	Dr HHOpn2 St
F#4	1536	Dr HHOpn2 St
G 4	1617	Dr HHCILoFi
G#4	1618	Dr HHOplLoFi
A 4	1619	Dr HHCISyn
A#4	1620	Dr HHOpsyn
B 4	962	Pc AnaShaker
C 5	963	Pc TambAnRX5
C#5	912	Pc TambAnSw
D 5	946	Pc Cowbell2
D#5	872	Pc Bongo L
E 5	876	Pc TimbaleH1
F 5	934	Pc WoodBlock
F#5	1095	Dr BdHardLong
G 5	866	Pc TumbaOpen
G#5	864	Pc Quint2Opn
A 5	818	Se FxGun2
A#5	816	Se Bomb
B 5	1091	Dr BdZapHrd
C 6	850	Se ScratchHp2

PRE 42 Rock Multi

Note	Wave No.	Wave Name
C 0	999	Dr BdNmSt1-2
C#0	1360	Dr SdRkStk1St
D 0	1335	Dr SdRkOp2St
D#0	1381	Dr SdRkRolSt
E 0	1326	Dr SdRkOp1St
F 0	1632	Dr TomLow St
F#0	1546	Dr HHCIFiSt
G 0	1632	Dr TomLow St
G#0	1521	Dr HHPdl3 St
A 0	1628	Dr TomMid St
A#0	1536	Dr HHOpn2 St
B 0	1624	Dr TomHi St
C 1	1035	Dr BdRk2St
C#1	1360	Dr SdRkStk1St
D 1	1335	Dr SdRkOp2St
D#1	940	Pc HandClapSt
E 1	1338	Dr SdRkMie2St
F 1	1648	Dr TomRkLoSt
F#1	1558	Dr HHCIRkStSw
G 1	1648	Dr TomRkLoSt
G#1	1570	Dr HHPdlRkStSw
A 1	1644	Dr TomRkMdSt
A#1	1582	Dr HHOprkStSw
B 1	1644	Dr TomRkMdSt
C 2	1640	Dr TomRkHiSt
C#2	1670	Dr CrashSt
D 2	1640	Dr TomRkHiSt
D#2	1682	Dr RideCymSt
E 2	1701	Dr ChinaSt
F 2	1690	Dr RideCup St
F#2	912	Pc TambAnSw
G 2	1706	Dr SplashSt
G#2	945	Pc Cowbell1
A 2	1670	Dr CrashSt
A#2	899	Pc Shaker 1
B 2	1682	Dr RideCymSt
C 3	1032	Dr BdRk1St
C#3	1363	Dr SdRkStk2St
D 3	1326	Dr SdRkOp1St
D#3	953	Pc ClapT9
E 3	1329	Dr SdRkMie1St
F 3	1648	Dr TomRkLoSt
F#3	1558	Dr HHCIRkStSw
G 3	1648	Dr TomRkLoSt
G#3	1578	Dr HHPdlRkStSw
A 3	1644	Dr TomRkMdSt
A#3	1586	Dr HHHOpRkSt
B 3	1644	Dr TomRkMdSt
C 4	1640	Dr TomRkHiSt
C#4	1670	Dr CrashSt
D 4	1640	Dr TomRkHiSt
D#4	1687	Dr RideL
E 4	1701	Dr ChinaSt
F 4	1690	Dr RideCup St
F#4	913	Pc TambAnHit
G 4	1706	Dr SplashSt
G#4	948	Pc Mambobli2
A 4	1670	Dr CrashSt
A#4	906	Pc ShekereDw
B 4	1688	Dr RideR
C 5	1008	Dr BdFKSt1-2
C#5	1360	Dr SdRkStk1St
D 5	1332	Dr SdRkRim1St
D#5	1344	Dr SdRkFimSt
E 5	1341	Dr SdRkRim2St
F 5	1636	Dr TomFlr St
F#5	1502	Dr HHCls4 St
G 5	1632	Dr TomLow St
G#5	1521	Dr HHPdl3 St
A 5	1628	Dr TomMid St
A#5	1554	Dr HHOprkSt
B 5	1628	Dr TomMid St
C 6	1624	Dr TomHi St

PRE 43 Hip Multi

Note	Wave No.	Wave Name
C 0	1063	Dr BdT8-3
C#0	1448	Dr SdT8Rim
D 0	1488	Dr SdDodgL
D#0	953	Pc ClapT9
E 0	1468	Dr SdHip3
F 0	1063	Dr BdT8-3
F#0	1612	Dr HHCITek
G 0	1063	Dr BdT8-3
G#0	1613	Dr HHOprkTek
A 0	1063	Dr BdT8-3
A#0	1613	Dr HHOprkTek
B 0	1063	Dr BdT8-3
C 1	1077	Dr BdHipDp
C#1	1369	Dr SdHipStk4
D 1	1470	Dr SdHipRm1
D#1	942	Pc HandClapR
E 1	1467	Dr SdHip2
F 1	1660	Dr TomT8
F#1	1601	Dr HHCIT8-2
G 1	1660	Dr TomT8
G#1	1605	Dr HHOprkAnCR
A 1	1660	Dr TomT8
A#1	1600	Dr HHOprkT8-1
B 1	1660	Dr TomT8
C 2	1660	Dr TomT8
C#2	1710	Dr CrashT9
D 2	1660	Dr TomT8
D#2	1712	Dr CrashSyn
E 2	1712	Dr CrashSyn
F 2	1711	Dr CrashT8
F#2	963	Pc TambAnRX5
G 2	1708	Dr SplashR
G#2	958	Pc CowBelT8
A 2	1710	Dr CrashT9
A#2	960	Pc CowBelAnCR
B 2	1713	Dr RideT9
C 3	1077	Dr BdHipDp
C#3	1370	Dr SdHipStk5
D 3	1471	Dr SdHipRm2
D#3	941	Pc HandClapL
E 3	1466	Dr SdHip1
F 3	1659	Dr TomT9Lo
F#3	1603	Dr HHCIRX5
G 3	1659	Dr TomT9Lo
G#3	1604	Dr HHCICAnCR
A 3	1659	Dr TomT9Lo
A#3	1602	Dr HHOprkT8-2
B 3	1659	Dr TomT9Lo
C 4	1658	Dr TomT9Hi
C#4	1672	Dr CrashR
D 4	1658	Dr TomT9Hi
D#4	1711	Dr CrashT8
E 4	1712	Dr CrashSyn
F 4	1711	Dr CrashT8
F#4	913	Pc TambAnHit
G 4	1703	Dr ChinaR
G#4	959	Pc CowBelRX11
A 4	1671	Dr CrashL
A#4	945	Pc Cowbell1
B 4	1688	Dr RideR
C 5	1077	Dr BdHipDp
C#5	1375	Dr SdHipStk8
D 5	1469	Dr SdHipGate
D#5	1467	Dr SdHip2
E 5	1474	Dr SdHipRm5
F 5	1665	Dr TomDistLo
F#5	1614	Dr HHCIRShk
G 5	1665	Dr TomDistLo
G#5	1615	Dr HHPdlHip
A 5	1664	Dr TomDistHi
A#5	1616	Dr HHOprkHip
B 5	1664	Dr TomDistHi
C 6	1663	Dr TomAnSm

PRE 44 Percussion

Note	Wave No.	Wave Name
C 0	494	Pc Wataiko
C#0	519	Pc Udo Hi
D 0	497	Pc DjembeOp
D#0	862	Pc Quint1Opn
E 0	520	Pc Udo Low
F 0	518	Pc UdoFinger
F#0	519	Pc Udo Hi
G 0	499	Pc TablaBya
G#0	919	Pc TmbourimOp
A 0	501	Pc TablaMut
A#0	500	Pc TablaNah
B 0	501	Pc TablaMut
C 1	105	Cp TimpStSw
C#1	774	Me Hit Uhh
D 1	873	Pc Bongo H1
D#1	953	Pc ClapT9
E 1	939	Pc TriangleMt
F 1	938	Pc TriangleOp
F#1	932	Pc Castanet
G 1	932	Pc Castanet
G#1	932	Pc Castanet
A 1	925	Pc GuiroLong
A#1	927	Pc GuiroSwp
B 1	926	Pc GuiroShort
C 2	935	Pc Vibraslap
C#2	933	Pc Clave
D 2	969	Pc ClaveT8
D#2	870	Pc CuicaLo
E 2	871	Pc CuicaHi
F 2	879	Pc TmbaleL1-3
F#2	934	Pc WoodBlock
G 2	881	Pc TmbaleLo2
G#2	934	Pc WoodBlock
A 2	875	Pc TmbaleH1-3
A#2	950	Pc ChaCha
B 2	877	Pc TmbalHi2
C 3	884	Pc TmbPailaL
C#3	884	Pc TmbPailaL
D 3	883	Pc TmbPailaH
D#3	947	Pc ShekereUp
E 3	872	Pc Bongo L
F 3	872	Pc Bongo L
F#3	943	Pc Handbell L
G 3	873	Pc Bongo H1
G#3	944	Pc Handbell H
A 3	873	Pc Bongo H1
A#3	923	Pc AgogoLo
B 3	922	Pc AgogoHi
C 4	860	Pc CongaBtm
C#4	859	Pc CongaTip
D 4	867	Pc TumbaSlp
D#4	891	Pc MaracasSir
E 4	866	Pc TumbaOpen
F 4	860	Pc CongaBtm
F#4	859	Pc CongaTip
G 4	858	Pc CongaOpSlp
G#4	899	Pc Shaker 1
A 4	857	Pc Conga Opn
A#4	894	Pc Cabasa1
B 4	893	Pc Cabasa1-2
C 5	860	Pc CongaBtm
C#5	859	Pc CongaTip
D 5	863	Pc Quint1Slp
D#5	899	Pc Cabasa 1
E 5	864	Pc Quint2Opn
F 5	896	Pc Caxixi1-2
F#5	914	Pc TambAnShk
G 5	913	Pc TambAnHit
G#5	912	Pc TambAnSw
A 5	913	Pc TambAnHit
A#5	951	Pc SleighBel
B 5	936	Pc Whistle
C 6	936	Pc Whistle

PRE 45 Latin Perc

Note	Wave No.	Wave Name
C 0	1026	Dr BdLsonSt
C#0	1363	Dr SdRkStk2St
D 0	1217	Dr SdFKSt1/3
D#0	1670	Dr CrashSt
E 0	1706	Dr SplashSt
F 0	1632	Dr TomLow St
F#0	1498	Dr HHCls1-4St
G 0	1632	Dr TomLow St
G#0	1521	Dr HHPdl3 St
A 0	1628	Dr TomMid St
A#0	1536	Dr HHOpn2 St
B 0	1624	Dr TomHi St
C 1	859	Pc CongaTip
C#1	860	Pc CongaBtm
D 1	867	Pc TumbaSlp
D#1	933	Pc Clave
E 1	866	Pc TumbaOpen
F 1	859	Pc CongaTip
F#1	860	Pc CongaBtm
G 1	858	Pc CongaOpSlp
G#1	943	Pc Handbell L
A 1	857	Pc Conga Opn
A#1	944	Pc Handbell H
B 1	947	Pc MamboB1
C 2	859	Pc CongaTip
C#2	860	Pc CongaBtm
D 2	863	Pc Quint1Slp
D#2	950	Pc ChaCha
E 2	862	Pc Quint1Opn
F 2	872	Pc Bongo L
F#2	873	Pc Bongo H1
G 2	874	Pc Bongo H2
G#2	880	Pc TmbaleLo1
A 2	884	Pc TmbPailaL
A#2	876	Pc TmbaleHi1
B 2	883	Pc TmbPailaH
C 3	934	Pc WoodBlock
C#3	934	Pc WoodBlock
D 3	906	Pc ShekereDw
D#3	907	Pc ShekereUp
E 3	908	Pc ShekereSap
F 3	891	Pc MaracasSir
F#3	892	Pc MaracasStc
G 3	925	Pc GuiroLong
G#3	927	Pc GuiroSwp
A 3	926	Pc GuiroShort
A#3	929	Pc SurdoMt
B 3	928	Pc SurdoOp
C 4	917	Pc PandierTip
C#4	918	Pc PandroHeel
D 4	916	Pc PandierThm
D#4	915	Pc PandieroOp
E 4	920	Pc TmbourmFng
F 4	919	Pc TmbourimOp
F#4	921	Pc TmbourimMt
G 4	924	Pc AgogoLoTap
G#4	923	Pc AgogoLo
A 4	922	Pc AgogoHi
A#4	938	Pc TriangleOp
B 4	939	Pc TriangleMt
C 5	900	Pc Shaker 2
C#5	899	Pc Shaker 1
D 5	901	Pc Shaker 3
D#5	894	Pc Cabasa1
E 5	895	Pc Cabasa2
F 5	897	Pc Caxixi1
F#5	898	Pc Caxixi2
G 5	870	Pc CuicaLo
G#5	871	Pc CuicaHi
A 5	936	Pc Whistle
A#5	936	Pc Whistle
B 5	935	Pc Vibraslap
C 6	952	Pc BellTree

PRE 46 Gtr/Bs Fx

Note	Wave No.	Wave Name
C 0	1833	Se Ab FX06
C#0	1833	Se Ab FX06
D 0	265	Gt PlayFx Mix
D#0	264	Gt PwrChdMono
E 0	264	Gt PwrChdMono
F 0	1828	Se Ab FX01
F#0	1718	Se Ag FX02 St
G 0	1841	Se Eb FX 05
G#0	1852	Se Eb FX 16
A 0	1837	Se Eb FX 01
A#0	1810	Se Eg FX06
B 0	1853	Se Eb FX 17
C 1	1840	Se Eb FX 04
C#1	1846	Se Eb FX 10
D 1	265	Gt PlayFx Mix
D#1	1847	Se Eb FX 11
E 1	265	Gt PlayFx Mix
F 1	1854	Se Eb FX 18
F#1	1852	Se Eb FX 16
G 1	1854	Se Eb FX 18
G#1	1853	Se Eb FX 17
A 1	1854	Se Eb FX 18
A#1	1817	Se Eg FX13
B 1	1854	Se Eb FX 18
C 2	1854	Se Eb FX 18
C#2	1799	Se Ag FX29 St
D 2	1854	Se Eb FX 18
D#2	1847	Se Eb FX 11
E 2	1799	Se Ag FX29 St
F 2	1847	Se Eb FX 11
F#2	1846	Se Eb FX 10
G 2	1799	Se Ag FX29 St
G#2	265	Gt PlayFx Mix
A 2	1799	Se Ag FX29 St
A#2	1849	Se Eb FX 13
B 2	1847	Se Eb FX 11
C 3	1846	Se Eb FX 10
C#3	1846	Se Eb FX 10
D 3	1838	Se Eb FX 02
D#3	1844	Se Eb FX 08
E 3	1854	Se Eb FX 18
F 3	1836	Se Ab FX09
F#3	1836	Se Ab FX09
G 3	1834	Se Ab FX07
G#3	1834	Se Ab FX07
A 3	1833	Se Ab FX06
A#3	1836	Se Ab FX09
B 3	265	Gt PlayFx Mix
C 4	265	Gt PlayFx Mix
C#4	1858	Se Eb FX 22
D 4	1730	Se Ag FX06 St
D#4	1852	Se Eb FX 16
E 4	1852	Se Eb FX 16
F 4	1839	Se Eb FX 03
F#4	265	Gt PlayFx Mix
G 4	265	Gt PlayFx Mix
G#4	1847	Se Eb FX 11
A 4	1853	Se Eb FX 17
A#4	1718	Se Ag FX02 St
B 4	1850	Se Eb FX 14
C 5	1825	Se Eg FX21
C#5	1824	Se Eg FX20
D 5	1823	Se Eg FX19
D#5	265	Gt PlayFx Mix
E 5	265	Gt PlayFx Mix
F 5	265	Gt PlayFx Mix
F#5	265	Gt PlayFx Mix
G 5	287	Ba Pick Dd FX
G#5	1858	Se Eb FX 22
A 5	1841	Se Eb FX 05
A#5	1851	Se Eb FX 15
B 5	325	Ba EBassFX
C 6	1855	Se Eb FX 19

PRE 47 Wacko Kit

Note	Wave No.	Wave Name
C 0	1837	Se Eb FX 01
C#0	797	Se Zap2
D 0	1609	Dr HHpDID&B
D#0	941	Pc HandClapL
E 0	845	Se ScratchVoF
F 0	794	Se IndusTom
F#0	1494	Dr SdWood
G 0	794	Se IndusTom
G#0	1484	Dr SdClpAna
A 0	794	Se IndusTom
A#0	1490	Dr SdFMrim
B 0	1053	Dr BdFXGate
C 1	1090	Dr BdFXHmr
C#1	858	Pc CongaOpSlp
D 1	1489	Dr SdFM
D#1	941	Pc HandClapL
E 1	1493	Dr SdTimbr
F 1	1662	Dr TomSyn2
F#1	1619	Dr HHClSyn
G 1	1662	Dr TomSyn2
G#1	1620	Dr HHOpSyn
A 1	1662	Dr TomSyn2
A#1	1620	Dr HHOpSyn
B 1	1662	Dr TomSyn2
C 2	1662	Dr TomSyn2
C#2	1595	Dr HHOpMono
D 2	765	Me Sonar1
D#2	1600	Dr HHOpT8-1
E 2	1595	Dr HHOpMono
F 2	1695	Dr CupL
F#2	951	Pc SleighBel
G 2	1602	Dr HHOpT8-2
G#2	760	Me ResoXFade
A 2	1671	Dr CrashL
A#2	833	Se RainLoop
B 2	1696	Dr CupR
C 3	747	Me AirHoseL
C#3	747	Me AirHoseL
D 3	519	Pc Udo Hi
D#3	607	Wv MgBass2
E 3	608	Wv MgBass3
F 3	1833	Se Ab FX06
F#3	1833	Se Ab FX06
G 3	923	Pc AgogoLo
G#3	923	Pc AgogoLo
A 3	1623	Dr HHOpHuman
A#3	815	Se VoxHitRev
B 3	813	Se HiQ1
C 4	813	Se HiQ1
C#4	762	Me LfoSeq
D 4	762	Me LfoSeq
D#4	734	Me BellAir
E 4	740	Me HH Hit
F 4	740	Me HH Hit
F#4	754	Me OohFB
G 4	754	Me OohFB
G#4	757	Me Mind Bell
A 4	791	Se Glass
A#4	750	Me Swarm
B 4	818	Se FxGun2
C 5	751	Me Lektronica
C#5	265	Gt PlayFx Mix
D 5	831	Se Gunshot
D#5	822	Se Police
E 5	790	Se Ripper
F 5	265	Gt PlayFx Mix
F#5	817	Se TapeRewnd
G 5	819	Se FxGun1
G#5	816	Se Bomb
A 5	797	Se Zap2
A#5	795	Se NzBurst
B 5	770	Me StabGiant
C 6	769	Me StabOrch

PRE 48 Wood Bits

Note	Wave No.	Wave Name
C 0	969	Pc ClaveT8
C#0	1372	Dr SdHpStk6L
D 0	925	Pc GuiroLong
D#0	1373	Dr SdHpStk6R
E 0	925	Pc GuiroLong
F 0	1751	Se Ag FX13 St
F#0	932	Pc Castanet
G 0	1847	Se Eb FX 11
G#0	930	Pc Stick
A 0	1844	Se Eb FX 08
A#0	1843	Se Eb FX 07
B 0	1658	Dr TomT9Hi
C 1	1853	Se Eb FX 17
C#1	1380	Dr SdClRim3
D 1	931	Pc Stick2
D#1	925	Pc GuiroLong
E 1	931	Pc Stick2
F 1	928	Pc SurdoOp
F#1	1450	Dr SdAnSmRim
G 1	928	Pc SurdoOp
G#1	954	Pc ClapAnSm
A 1	928	Pc SurdoOp
A#1	935	Pc Vibraslap
B 1	928	Pc SurdoOp
C 2	928	Pc SurdoOp
C#2	826	Se Seashore
D 2	928	Pc SurdoOp
D#2	1363	Dr SdRkStk2St
E 2	832	Se Applause
F 2	1361	Dr SdRkStk1L
F#2	914	Pc TambrnShk
G 2	826	Se Seashore
G#2	934	Pc WoodBlock
A 2	832	Se Applause
A#2	825	Se Helicopter
B 2	1365	Dr SdRkStk2R
C 3	858	Pc CongaOpSlp
C#3	858	Pc CongaOpSlp
D 3	932	Pc Castanet
D#3	932	Pc Castanet
E 3	934	Pc WoodBlock
F 3	884	Pc TmbIPailaL
F#3	884	Pc TmbIPailaL
G 3	930	Pc Stick
G#3	931	Pc Stick2
A 3	896	Pc Caxixi1-2
A#3	898	Pc Caxixi2
B 3	823	Se DoorSqk
C 4	823	Se DoorSqk
C#4	926	Pc GuiroShort
D 4	925	Pc GuiroLong
D#4	933	Pc Clave
E 4	934	Pc WoodBlock
F 4	934	Pc WoodBlock
F#4	823	Se DoorSqk
G 4	823	Se DoorSqk
G#4	934	Pc WoodBlock
A 4	933	Pc Clave
A#4	823	Se DoorSqk
B 4	941	Pc HandClapL
C 5	950	Pc ChaCha
C#5	1335	Dr SdRkOp2St
D 5	1072	Dr BdJngl3
D#5	863	Pc Quint1Slp
E 5	1044	Dr BdRoom2
F 5	1023	Dr BdHsonSt
F#5	1358	Dr SdLwHmono
G 5	928	Pc SurdoOp
G#5	1360	Dr SdRkStk1St
A 5	1100	Dr BdSlimy
A#5	1353	Dr SdGate1
B 5	1029	Dr BdFkSonSt
C 6	1052	Dr BdGate

PRE 49 Metal Bits

Note	Wave No.	Wave Name
C 0	958	Pc CowBellT8
C#0	1512	Dr HHClS4 R
D 0	1696	Dr CupR
D#0	1620	Dr HHOpSyn
E 0	1695	Dr CupL
F 0	1690	Dr RideCup St
F#0	633	Wv FMMetal2
G 0	1682	Dr RideCym St
G#0	804	Se ElPerc7
A 0	946	Pc Cowbell2
A#0	1499	Dr HHClS1 St
B 0	950	Pc ChaCha
C 1	946	Pc Cowbell2
C#1	1619	Dr HHClSyn
D 1	1613	Dr HHOpTek
D#1	1601	Dr HHClT8-2
E 1	1603	Dr HHClRX5
F 1	946	Pc Cowbell2
F#1	1600	Dr HHOpT8-1
G 1	946	Pc Cowbell2
G#1	1619	Dr HHClSyn
A 1	946	Pc Cowbell2
A#1	1620	Dr HHOpSyn
B 1	946	Pc Cowbell2
C 2	946	Pc Cowbell2
C#2	1622	Dr HHOpFx
D 2	946	Pc Cowbell2
D#2	1690	Dr RideCup St
E 2	1605	Dr HHOpAnCR
F 2	1690	Dr RideCup St
F#2	912	Pc TambrnSw
G 2	1622	Dr HHOpFx
G#2	948	Pc MamboBl2
A 2	1622	Dr HHOpFx
A#2	951	Pc SleighBel
B 2	1698	Dr RideMono
C 3	88	Cp Vibraphone
C#3	88	Cp Vibraphone
D 3	92	Cp TubularBel
D#3	93	Cp Bell
E 3	96	Cp BrBell
F 3	883	Pc TmbIPailaH
F#3	884	Pc TmbIPailaL
G 3	93	Cp Bell
G#3	93	Cp Bell
A 3	1499	Dr HHClS1 St
A#3	1605	Dr HHOpAnCR
B 3	734	Me BellAir
C 4	733	Me WindChime
C#4	1589	Dr HHOpRKL
D 4	751	Me Lektronica
D#4	923	Pc AgogoLo
E 4	945	Pc Cowbell1
F 4	946	Pc Cowbell2
F#4	745	Me HiLo
G 4	745	Me HiLo
G#4	939	Pc TriangleMt
A 4	938	Pc TriangleOp
A#4	733	Me WindChime
B 4	951	Pc SleighBel
C 5	952	Pc BellTree
C#5	97	Cp SmBell
D 5	97	Cp SmBell
D#5	96	Cp BrBell
E 5	100	Cp Hibasi
F 5	86	Kb Harpscd
F#5	1355	Dr SdLwHmono
G 5	88	Cp Vibraphone
G#5	1356	Dr SdBrRim
A 5	990	Cp Gamelan2
A#5	518	Pc UdoFinger
B 5	98	Cp FingerCym
C 6	93	Cp Bell

PRE 50 Hands Kit

Note	Wave No.	Wave Name
C 0	501	Pc TablaMut
C#0	1391	Dr SdBmSt
D 0	1397	Dr SdBmSwrSt
D#0	1394	Dr SdBmT2St
E 0	1400	Dr SdBmAtSt
F 0	1799	Se Ag FX29 St
F#0	931	Pc Stick2
G 0	916	Pc PandierThm
G#0	501	Pc TablaMut
A 0	1852	Se Eb FX 16
A#0	1763	Se Ag FX17 St
B 0	502	Pc TablaCmb
C 1	494	Pc Wataiko
C#1	863	Pc Quint1Slp
D 1	1394	Dr SdBmT2St
D#1	940	Pc HandClapSt
E 1	1229	Dr SdFkAySt
F 1	520	Pc Udo Low
F#1	501	Pc TablaMut
G 1	520	Pc Udo Low
G#1	499	Pc TablaBya
A 1	519	Pc Udo Hi
A#1	500	Pc TablaNah
B 1	519	Pc Udo Hi
C 2	518	Pc UdoFinger
C#2	1688	Dr RideR
D 2	518	Pc UdoFinger
D#2	1690	Dr RideCup St
E 2	1700	Dr CupMono2
F 2	1690	Dr RideCup St
F#2	913	Pc TambrnHit
G 2	1690	Dr RideCup St
G#2	945	Pc Cowbell1
A 2	1698	Dr RideMono
A#2	935	Pc Vibraslap
B 2	1687	Dr RideL
C 3	873	Pc Bongo H1
C#3	872	Pc Bongo L
D 3	859	Pc CongaTip
D#3	858	Pc CongaOpSlp
E 3	857	Pc Conga Opn
F 3	875	Pc TmbaleH1-3
F#3	879	Pc TmbaleL1-3
G 3	922	Pc AgogoHi
G#3	923	Pc AgogoLo
A 3	920	Pc TmbourmFng
A#3	920	Pc TmbourmFng
B 3	941	Pc HandClapL
C 4	941	Pc HandClapL
C#4	925	Pc GuiroLong
D 4	925	Pc GuiroLong
D#4	518	Pc UdoFinger
E 4	499	Pc TablaBya
F 4	859	Pc CongaTip
F#4	519	Pc Udo Hi
G 4	519	Pc Udo Hi
G#4	518	Pc UdoFinger
A 4	98	Cp FingerCym
A#4	501	Pc TablaMut
B 4	951	Pc SleighBel
C 5	952	Pc BellTree
C#5	858	Pc CongaOpSlp
D 5	868	Pc TumbaTip
D#5	868	Pc TumbaTip
E 5	1844	Se Eb FX 08
F 5	868	Pc TumbaTip
F#5	1837	Se Eb FX 01
G 5	866	Pc TumbaOpen
G#5	1842	Se Eb FX 06
A 5	1724	Se Ag FX04 St
A#5	520	Pc Udo Low
B 5	498	Pc DjembeCmb
C 6	867	Pc TumbaSlp

PRE 51 Scratches

Note	Wave No.	Wave Name
C 0	834	Se Scratch H
C#0	835	Se Scratch L
D 0	836	Se ScratchDwn
D#0	837	Se ScratchHiF
E 0	838	Se ScratchHIR
F 0	839	Se ScratchLoF
F#0	840	Se ScratchLoR
G 0	841	Se ScratchBdF
G#0	842	Se ScratchBdR
A 0	843	Se ScratchSdF
A#0	844	Se ScratchSdR
B 0	845	Se ScratchVoF
C 1	834	Se Scratch H
C#1	835	Se Scratch L
D 1	836	Se ScratchDwn
D#1	837	Se ScratchHiF
E 1	838	Se ScratchHIR
F 1	839	Se ScratchLoF
F#1	840	Se ScratchLoR
G 1	841	Se ScratchBdF
G#1	842	Se ScratchBdR
A 1	843	Se ScratchSdF
A#1	844	Se ScratchSdR
B 1	845	Se ScratchVoF
C 2	846	Se ScratchVoR
C#2	847	Se ScratchStp
D 2	848	Se ScratchSpn
D#2	849	Se ScratchHip
E 2	850	Se ScratchHp2
F 2	853	Se ScratchCmb
F#2	854	Se ScratchCb2
G 2	855	Se ScratchCb3
G#2	856	Se ScratchCb4
A 2	834	Se Scratch H
A#2	835	Se Scratch L
B 2	836	Se ScratchDwn
C 3	837	Se ScratchHiF
C#3	838	Se ScratchHIR
D 3	839	Se ScratchLoF
D#3	840	Se ScratchLoR
E 3	841	Se ScratchBdF
F 3	842	Se ScratchBdR
F#3	843	Se ScratchSdF
G 3	844	Se ScratchSdR
G#3	845	Se ScratchVoF
A 3	846	Se ScratchVoR
A#3	847	Se ScratchStp
B 3	848	Se ScratchSpn
C 4	849	Se ScratchHip
C#4	850	Se ScratchHp2
D 4	853	Se ScratchCmb
D#4	854	Se ScratchCb2
E 4	855	Se ScratchCb3
F 4	856	Se ScratchCb4
F#4	834	Se Scratch H
G 4	835	Se Scratch L
G#4	836	Se ScratchDwn
A 4	837	Se ScratchHiF
A#4	838	Se ScratchHIR
B 4	839	Se ScratchLoF
C 5	840	Se ScratchLoR
C#5	841	Se ScratchBdF
D 5	842	Se ScratchBdR
D#5	843	Se ScratchSdF
E 5	844	Se ScratchSdR
F 5	845	Se ScratchVoF
F#5	846	Se ScratchVoR
G 5	847	Se ScratchStp
G#5	848	Se ScratchSpn
A 5	849	Se ScratchHip
A#5	850	Se ScratchHp2
B 5	853	Se ScratchCmb
C 6	854	Se ScratchCb2

PRE 52 AcstSnares

Note	Wave No.	Wave Name
C 0	1200	Dr SdNm1St
C#0	1201	Dr SdNm2St
D 0	1202	Dr SdNm3St
D#0	1203	Dr SdNm4St
E 0	1218	Dr SdFk1St
F 0	1219	Dr SdFk2St
F#0	1220	Dr SdFk3St
G 0	1229	Dr SdFkAySt
G#0	1236	Dr SdBs1St
A 0	1237	Dr SdBs2St
A#0	1238	Dr SdBs3St
B 0	1253	Dr SdSon1St
C 1	1254	Dr SdSon2St
C#1	1255	Dr SdSon3St
D 1	1256	Dr SdSon4St
D#1	1271	Dr SdB1St
E 1	1272	Dr SdB2St
F 1	1273	Dr SdB3St
F#1	1286	Dr SdBh1St
G 1	1287	Dr SdBh2St
G#1	1288	Dr SdBh3St
A 1	1303	Dr SdTgt1St
A#1	1304	Dr SdTgt2St
B 1	1305	Dr SdTgt3St
C 2	1306	Dr SdTgt4St
C#2	1318	Dr SdHip1St
D 2	1319	Dr SdHip2St
D#2	1326	Dr SdRkOp1St
E 2	1329	Dr SdRkMte1St
F 2	1332	Dr SdRkRim1St
F#2	1335	Dr SdRkOp2St
G 2	1338	Dr SdRkMte2St
G#2	1341	Dr SdRkRim2St
A 2	1344	Dr SdRkFlmSt
A#2	1326	Dr SdRkOp1St
B 2	1329	Dr SdRkMte1St
C 3	1332	Dr SdRkRim1St
C#3	1335	Dr SdRkOp2St
D 3	1338	Dr SdRkMte2St
D#3	1341	Dr SdRkRim2St
E 3	1344	Dr SdRkFlmSt
F 3	1202	Dr SdNm3St
F#3	1229	Dr SdFkAySt
G 3	1238	Dr SdBs3St
G#3	1255	Dr SdSon3St
A 3	1288	Dr SdBh3St
A#3	1305	Dr SdTgt3St
B 3	1314	Dr SdTgt3R
C 4	1114	Dr SdBldSt1-4
C#4	1134	Dr SdSolSt1-4
D 4	1154	Dr SdPwrSt1-4
D#4	1174	Dr SdRngSt1-4
E 4	1351	Dr SdMdRim
F 4	1352	Dr SdAmb
F#4	1353	Dr SdGate1
G 4	1355	Dr SdLdwHMMono
G#4	1356	Dr SdBrim
A 4	1357	Dr SdDry
A#4	1358	Dr SdHeavy
B 4	1359	Dr SdGM
C 5	1360	Dr SdRkStk1St
C#5	1363	Dr SdRkStk2St
D 5	1376	Dr SdClRmSt
D#5	1379	Dr SdClRim2
E 5	1380	Dr SdClRim3
F 5	1381	Dr SdRkRolSt
F#5	1335	Dr SdRkOp2St
G 5	1387	Dr SdLvRolSt
G#5	1254	Dr SdSon2St
A 5	1390	Dr SdRolIMono
A#5	1305	Dr SdTgt3St
B 5	1391	Dr SdBrim1St
C 6	1400	Dr SdBsWrA1St

PRE 53 StSnares

Note	Wave No.	Wave Name
C 0	1194	Dr SdNmSt1-4
C#0	1195	Dr SdNmSt1-3
D 0	1196	Dr SdNmSt2-4
D#0	1197	Dr SdNmSt1-2
E 0	1198	Dr SdNmSt2-3
F 0	1199	Dr SdNmSt3-4
F#0	1200	Dr SdNm1St
G 0	1201	Dr SdNm2St
G#0	1202	Dr SdNm3St
A 0	1203	Dr SdNm4St
A#0	1214	Dr SdFkSt1-3
B 0	1215	Dr SdFkSt1-2
C 1	1216	Dr SdFkSt2-3
C#1	1217	Dr SdFkSt1/3
D 1	1218	Dr SdFk1St
D#1	1219	Dr SdFk2St
E 1	1220	Dr SdFk3St
F 1	1229	Dr SdFkAySt
F#1	1232	Dr SdBsSt1-3
G 1	1233	Dr SdBsSt1-2
G#1	1234	Dr SdBsSt2-3
A 1	1235	Dr SdBsSt1/3
A#1	1236	Dr SdBs1St
B 1	1237	Dr SdBs2St
C 2	1238	Dr SdBs3St
C#2	1247	Dr SdSonSt1-4
D 2	1248	Dr SdSonSt1-3
D#2	1249	Dr SdSonSt2-4
E 2	1250	Dr SdSonSt1-2
F 2	1251	Dr SdSonSt2-3
F#2	1252	Dr SdSonSt3-4
G 2	1253	Dr SdSon1St
G#2	1254	Dr SdSon2St
A 2	1255	Dr SdSon3St
A#2	1256	Dr SdSon4St
B 2	1267	Dr SdBIS1-3
C 3	1268	Dr SdBIS1-2
C#3	1269	Dr SdBIS2-3
D 3	1270	Dr SdBIS1/3
D#3	1271	Dr SdB1St
E 3	1272	Dr SdB2St
F 3	1273	Dr SdB3St
F#3	1282	Dr SdBhSt1-3
G 3	1283	Dr SdBhSt1-2
G#3	1284	Dr SdBhSt2-3
A 3	1285	Dr SdBhSt1/3
A#3	1286	Dr SdBh1St
B 3	1287	Dr SdBh2St
C 4	1288	Dr SdBh3St
C#4	1297	Dr SdTgtSt1-4
D 4	1298	Dr SdTgtSt1-3
D#4	1299	Dr SdTgtSt2-4
E 4	1300	Dr SdTgtSt1-2
F 4	1301	Dr SdTgtSt2-3
F#4	1302	Dr SdTgtSt3-4
G 4	1303	Dr SdTgt1St
G#4	1304	Dr SdTgt2St
A 4	1305	Dr SdTgt3St
A#4	1306	Dr SdTgt4St
B 4	1318	Dr SdHip1St
C 5	1326	Dr SdRkOp1St
C#5	1329	Dr SdRkMte1St
D 5	1332	Dr SdRkRim1St
D#5	1335	Dr SdRkOp2St
E 5	1338	Dr SdRkMte2St
F 5	1341	Dr SdRkRim2St
F#5	1344	Dr SdRkFlmSt
G 5	1381	Dr SdRkRolSt
G#5	1326	Dr SdRkOp1St
A 5	1384	Dr SdRkRolDSt
A#5	1335	Dr SdRkOp2St
B 5	1387	Dr SdLvRolSt
C 6	1202	Dr SdNm3St

PRE 54 AllKicks

Note	Wave No.	Wave Name
C 0	999	Dr BdNmSt1-2
C#0	972	Dr BdSnap1-2
D 0	982	Dr BdTigt1
D#0	1002	Dr BdNmL1-2
E 0	1008	Dr BdFkSt1-2
F 0	990	Dr BdAmb1-2
F#0	1010	Dr BdFk2St
G 0	1017	Dr BdHiSt
G#0	1020	Dr BdLoSt
A 0	1023	Dr BdHsonSt
A#0	1026	Dr BdLsonSt
B 0	1029	Dr BdFkSonSt
C 1	1032	Dr BdRk1St
C#1	1035	Dr BdRk2St
D 1	1038	Dr BdDry1
D#1	1039	Dr BdDry2
E 1	1040	Dr BdPop
F 1	1041	Dr BdVar1
F#1	1042	Dr BdVar2
G 1	1043	Dr BdRoom1
G#1	1044	Dr BdRoom2
A 1	1045	Dr BdRoom3
A#1	1052	Dr BdGate
B 1	1053	Dr BdFXGate
C 2	1054	Dr BdT9-1
C#2	1055	Dr BdT9-2
D 2	1056	Dr BdT9-3
D#2	1057	Dr BdT9-4
E 2	1058	Dr BdT9Hd1
F 2	1059	Dr BdT9Hd2
F#2	1060	Dr BdT9Hd3
G 2	1061	Dr BdT8-1
G#2	1062	Dr BdT8-2
A 2	1063	Dr BdT8-3
A#2	1064	Dr BdAnSm
B 2	1065	Dr BdAnCR
C 3	1066	Dr BdHuman1
C#3	1067	Dr BdHuman2
D 3	1068	Dr BdBlip
D#3	1069	Dr BdBlpHd
E 3	1070	Dr BdJngl1
F 3	1071	Dr BdJngl2
F#3	1072	Dr BdJngl3
G 3	1073	Dr BdD&B1
G#3	1074	Dr BdD&B2
A 3	1075	Dr BdR&B1
A#3	1076	Dr BdR&B2
B 3	1077	Dr BdHipDp
C 4	1078	Dr BdBrkDp
C#4	1079	Dr BdZapHrd
D 4	1080	Dr BdBreak2
D#4	1081	Dr BdBreakHvy
E 4	1082	Dr BdBreakHrd
F 4	1083	Dr BdDist1
F#4	1084	Dr BdDist2
G 4	1085	Dr BdDist3
G#4	1086	Dr BdDist4
A 4	1087	Dr BdDist5
A#4	1088	Dr BdDistRM
B 4	1089	Dr Bd+HH
C 5	1090	Dr BdFxHmr
C#5	1091	Dr BdZapHrd
D 5	1092	Dr BdZapMid
D#5	1093	Dr BdSus
E 5	1094	Dr BdTekPower
F 5	1095	Dr BdHardLong
F#5	1096	Dr BdATite
G 5	1097	Dr BdAnHard
G#5	1098	Dr BdLofi
A 5	1099	Dr BdThkSkn
A#5	1100	Dr BdSlimy
B 5	1100	Dr BdSlimy
C 6	1100	Dr BdSlimy

PRE 55 DanceKick

Note	Wave No.	Wave Name
C 0	1054	Dr BdT9-1
C#0	1054	Dr BdT9-1
D 0	1055	Dr BdT9-2
D#0	1056	Dr BdT9-3
E 0	1056	Dr BdT9-3
F 0	1057	Dr BdT9-4
F#0	1058	Dr BdT9Hd1
G 0	1059	Dr BdT9Hd2
G#0	1060	Dr BdT9Hd3
A 0	1060	Dr BdT9Hd3
A#0	1095	Dr BdHardLong
B 0	1065	Dr BdAnCR
C 1	1054	Dr BdT9-1
C#1	1055	Dr BdT9-2
D 1	1056	Dr BdT9-3
D#1	1057	Dr BdT9-4
E 1	1058	Dr BdT9Hd1
F 1	1059	Dr BdT9Hd2
F#1	1060	Dr BdT9Hd3
G 1	1061	Dr BdT8-1
G#1	1062	Dr BdT8-2
A 1	1063	Dr BdT8-3
A#1	1101	Dr BdElec1
B 1	1065	Dr BdAnCR
C 2	1066	Dr BdHuman1
C#2	1101	Dr BdElec1
D 2	1068	Dr BdBlip
D#2	1069	Dr BdBlpHd
E 2	1069	Dr BdElec3
F 2	1108	Dr BdEIFX1
F#2	1109	Dr BdEIFX2
G 2	1110	Dr BdEIGate
G#2	1111	Dr BdEIClick
A 2	1112	Dr BdEIPwr1
A#2	1076	Dr BdR&B2
B 2	1077	Dr BdHipDp
C 3	1078	Dr BdBrkDp
C#3	1079	Dr BdBreak1
D 3	1113	Dr BdEIPwr2
D#3	1081	Dr BdBreakHvy
E 3	1082	Dr BdBreakHrd
F 3	1083	Dr BdDist1
F#3	1084	Dr BdDist2
G 3	1085	Dr BdDist3
G#3	1086	Dr BdDist4
A 3	1087	Dr BdDist5
A#3	1102	Dr BdElec2
B 3	1105	Dr BdEIComp1
C 4	1090	Dr BdFxHmr
C#4	1091	Dr BdZapHrd
D 4	1092	Dr BdZapMid
D#4	1093	Dr BdSus
E 4	1094	Dr BdTekPower
F 4	1095	Dr BdHardLong
F#4	1096	Dr BdATite
G 4	1097	Dr BdAnHard
G#4	1106	Dr BdEIComp2
A 4	1107	Dr BdEIComp3
A#4	1100	Dr BdSlimy
B 4	1052	Dr BdGate
C 5	1053	Dr BdFXGate
C#5	1054	Dr BdT9-1
D 5	1055	Dr BdT9-2
D#5	1056	Dr BdT9-3
E 5	1057	Dr BdT9-4
F 5	1058	Dr BdT9Hd1
F#5	1059	Dr BdT9Hd2
G 5	1060	Dr BdT9Hd3
G#5	1069	Dr BdBlpHd
A 5	1076	Dr BdR&B2
A#5	1092	Dr BdZapMid
B 5	1095	Dr BdHardLong
C 6	1096	Dr BdATite

PRE 56 EasySnares

Note	Wave No.	Wave Name
C 0	1387	Dr SdLvRolSt
C#0	1400	Dr SdBswrMtSt
D 0	1397	Dr SdBrsWrSt
D#0	1394	Dr SdBrmIt2St
E 0	1391	Dr SdBrmMtSt
F 0	1376	Dr SdClfRmSt
F#0	1142	Dr SdSolSt1
G 0	1142	Dr SdSolSt1
G#0	1143	Dr SdSolSt2
A 0	1143	Dr SdSolSt2
A#0	1144	Dr SdSolSt3
B 0	1144	Dr SdSolSt3
C 1	1145	Dr SdSolSt4
C#1	1145	Dr SdSolSt4
D 1	1120	Dr SdBldSt1
D#1	1121	Dr SdBldSt2
E 1	1122	Dr SdBldSt3
F 1	1123	Dr SdBldSt4
F#1	1123	Dr SdBldSt4
G 1	1218	Dr SdFk1St
G#1	1218	Dr SdFk1St
A 1	1219	Dr SdFk1St
A#1	1219	Dr SdFk2St
B 1	1219	Dr SdFk2St
C 2	1220	Dr SdFk3St
C#2	1220	Dr SdFk3St
D 2	1271	Dr SdB1St
D#2	1272	Dr SdB2St
E 2	1272	Dr SdB2St
F 2	1273	Dr SdB3St
F#2	1273	Dr SdB3St
G 2	1200	Dr SdNm1St
G#2	1201	Dr SdNm2St
A 2	1201	Dr SdNm2St
A#2	1202	Dr SdNm3St
B 2	1202	Dr SdNm3St
C 3	1203	Dr SdNm4St
C#3	1203	Dr SdNm4St
D 3	1318	Dr SdHip1St
D#3	1318	Dr SdHip1St
E 3	1318	Dr SdHip1St
F 3	1319	Dr SdHip2St
F#3	1319	Dr SdHip2St
G 3	1253	Dr SdSon1St
G#3	1254	Dr SdSon2St
A 3	1254	Dr SdSon2St
A#3	1255	Dr SdSon3St
B 3	1255	Dr SdSon3St
C 4	1256	Dr SdSon4St
C#4	1256	Dr SdSon4St
D 4	1236	Dr SdBs1St
D#4	1237	Dr SdBs2St
E 4	1237	Dr SdBs2St
F 4	1238	Dr SdBs3St
F#4	1238	Dr SdBs3St
G 4	1303	Dr SdTgt1St
G#4	1304	Dr SdTgt2St
A 4	1304	Dr SdTgt2St
A#4	1305	Dr SdTgt3St
B 4	1305	Dr SdTgt3St
C 5	1306	Dr SdTgt4St
C#5	1306	Dr SdTgt4St
D 5	1286	Dr SdBh1St
D#5	1287	Dr SdBh2St
E 5	1287	Dr SdBh2St
F 5	1288	Dr SdBh3St
F#5	1288	Dr SdBh3St
G 5	940	Pc HandClapSt
G#5	953	Pc ClapT9
A 5	954	Pc ClapAnSm
A#5	930	Pc Stick
B 5	931	Pc Stick2
C 6	1229	Dr SdFkAySt

PRE 57 Cuban

Note	Wave No.	Wave Name
C 0		
C#0		
D 0		
D#0		
E 0		
F 0		
F#0		
G 0		
G#0		
A 0		
A#0	859	Pc CongaTip
B 0	860	Pc CongaBtm
C 1	857	Pc Conga Opn
C#1	857	Pc Conga Opn
D 1	858	Pc CongaOpSlp
D#1	858	Pc CongaOpSlp
E 1	858	Pc CongaOpSlp
F 1	859	Pc CongaTip
F#1	857	Pc Conga Opn
G 1	857	Pc Conga Opn
G#1	857	Pc Conga Opn
A 1	858	Pc CongaOpSlp
A#1	858	Pc CongaOpSlp
B 1	857	Pc Conga Opn
C 2	873	Pc Bongo H1
C#2	874	Pc Bongo H2
D 2	873	Pc Bongo H1
D#2	874	Pc Bongo H2
E 2	874	Pc Bongo H2
F 2	874	Pc Bongo H2
F#2	872	Pc Bongo L
G 2	872	Pc Bongo L
G#2	872	Pc Bongo L
A 2	864	Pc Quint2Opn
A#2	872	Pc Bongo L
B 2	863	Pc Quint1Slp
C 3	879	Pc TmbaleL1-3
C#3		
D 3		
D#3		
E 3		
F 3	885	Pc Paila L
F#3	875	Pc TmbaleH1-3
G 3		
G#3		
A 3		
A#3		
B 3	886	Pc Paila H
C 4	946	Pc Cowbell2
C#4		
D 4		
D#4		
E 4	926	Pc GuiroShort
F 4	925	Pc GuiroLong
F#4		
G 4		
G#4	912	Pc TambrrnSw
A 4		
A#4		
B 4		
C 5	890	Pc Maracas1-2
C#5	901	Pc Shaker 3
D 5	893	Pc Cabasa1-2
D#5		
E 5		
F 5		
F#5		
G 5		
G#5		
A 5		
A#5		
B 5		
C 6		

PRE 58 SynPopKit

Note	Wave No.	Wave Name
C 0	1111	Dr BdElClick
C#0	1103	Dr BdElec3
D 0	1101	Dr BdElec1
D#0	1109	Dr BdElFX2
E 0	1108	Dr BdElFX1
F 0	1110	Dr BdElGate
F#0	1113	Dr BdElPwr2
G 0	1102	Dr BdElec2
G#0	1105	Dr BdElComp1
A 0	1106	Dr BdElComp2
A#0	1107	Dr BdElComp3
B 0	1104	Dr BdElec4
C 1	1112	Dr BdElPwr1
C#1	1442	Dr SdT9Rim
D 1	1435	Dr SdElec12
D#1	953	Pc ClapT9
E 1	1431	Dr SdElec8
F 1	1659	Dr TomT9Lo
F#1	1597	Dr HHClT9
G 1	1659	Dr TomT9Lo
G#1	1598	Dr HHOpT9
A 1	1659	Dr TomT9Lo
A#1	1598	Dr HHOpT9
B 1	1658	Dr TomT9Hi
C 2	1658	Dr TomT9Hi
C#2	1710	Dr CrashT9
D 2	1658	Dr TomT9Hi
D#2	1713	Dr RideT9
E 2	1710	Dr CrashT9
F 2	1713	Dr RideT9
F#2	966	Pc ElTambrrn2
G 2	1710	Dr CrashT9
G#2	961	Pc ElCowbell
A 2	1710	Dr CrashT9
A#2	965	Pc ElTambrrn1
B 2	1713	Dr RideT9
C 3	802	Se ElPerc5
C#3	801	Se ElPerc4
D 3	809	Se ElPerc12
D#3	803	Se ElPerc6
E 3	798	Se ElPerc1
F 3	792	Se BellFX1
F#3	793	Se BellFX2
G 3	851	Se ScratchAtk
G#3	852	Se ScratchR&B
A 3	893	Pc Cabasa1-2
A#3	891	Pc MaracasSlr
B 3	811	Se ElPerc14
C 4	812	Se ElPerc15
C#4	799	Se ElPerc2
D 4	800	Se ElPerc3
D#4	804	Se ElPerc7
E 4	805	Se ElPerc8
F 4	806	Se ElPerc9
F#4	807	Se ElPerc10
G 4	810	Se ElPerc13
G#4	939	Pc TriangleMt
A 4	938	Pc TriangleOp
A#4	968	Pc ElMarcs
B 4	970	Pc ElTriangl
C 5	808	Se ElPerc11
C#5	1424	Dr SdElec1
D 5	1432	Dr SdElec9
D#5	1433	Dr SdElec10
E 5	1434	Dr SdElec11
F 5	1425	Dr SdElec2
F#5	1426	Dr SdElec3
G 5	1427	Dr SdElec4
G#5	1428	Dr SdElec5
A 5	1429	Dr SdElec6
A#5	1430	Dr SdElec7
B 5	955	Pc ElClap1
C 6	956	Pc ElClap2

PRE 59 Arabic Mix

Note	Wave No.	Wave Name
C 0	952	Pc BellTree
C#0	1391	Dr SdBrmMtSt
D 0	1397	Dr SdBrsWrSt
D#0	1394	Dr SdBrmMtSt
E 0	1400	Dr SdBswrMtSt
F 0	1387	Dr SdLvRolSt
F#0	932	Pc Castanet
G 0	1200	Dr SdNm1St
G#0	930	Pc Stick
A 0	1055	Dr BdT9-2
A#0	1232	Dr SdBsSt1-3
B 0	1017	Dr BdHlSt
C 1	999	Dr BdNmSt1-2
C#1	1214	Dr SdFkSt1-3
D 1	1114	Dr SdBldSt1-4
D#1	940	Pc HandClapSt
E 1	1134	Dr SdSolSt1-4
F 1	1648	Dr TomRkLoSt
F#1	1498	Dr HHCl1s1-4St
G 1	1644	Dr TomRkMdSt
G#1	1518	Dr HHPdl1-3St
A 1	1636	Dr TomFlr St
A#1	1534	Dr HHOpn1-2St
B 1	1632	Dr TomLow St
C 2	1628	Dr TomMid St
C#2	1670	Dr CrashT9
D 2	1624	Dr TomHi St
D#2	1534	Dr HHOpn1-2St
E 2	1714	Dr RevCymbal
F 2	879	Pc TmbaleL1-3
F#2	857	Pc Conga Opn
G 2	875	Pc TmbaleH1-3
G#2	858	Pc CongaOpSlp
A 2	912	Pc TambrrnSw
A#2	866	Pc TumbaOpen
B 2	945	Pc Cowbell1
C 3	933	Pc Clave
C#3	873	Pc Bongo H1
D 3	934	Pc WoodBlock
D#3	872	Pc Bongo L
E 3	934	Pc WoodBlock
F 3	522	Pc Dohol L
F#3	893	Pc Cabasa1-2
G 3	523	Pc Dohol H
G#3	899	Pc Shaker 1
A 3	932	Pc Castanet
A#3	890	Pc Maracas1-2
B 3	932	Pc Castanet
C 4	531	Pc Twaisat3
C#4	529	Pc Twaisat
D 4	530	Pc Twaisat2
D#4	532	Pc Twaisat4
E 4	532	Pc Twaisat4
F 4	503	Pc SmlTablDom
F#4	524	Pc BarasimDom
G 4	504	Pc SmlTablSnp
G#4	525	Pc BarasimSak
A 4	505	Pc SmlTablSak
A#4	526	Pc BarasimTak
B 4	506	Pc SmlTablTak
C 5	507	Pc BigTablDom
C#5	527	Pc Segal Dom
D 5	508	Pc BigTablTak
D#5	528	Pc Segal Tak
E 5	509	Pc BigTablSak
F 5	510	Pc TablaDom
F#5	511	Pc TablaTak1
G 5	517	Pc TablaTrem
G#5	512	Pc TablaTak2
A 5	513	Pc TablaTik1
A#5	516	Pc TablaSak1
B 5	515	Pc TablaTik3
C 6	514	Pc TablaTik2

PRE 60 Bellydance

Note	Wave No.	Wave Name
C 0	514	Pc TablaTik2
C#0	494	Pc Wataiko
D 0	495	Pc DjembeEd
D#0	496	Pc DjembeMt
E 0	497	Pc DjembeOp
F 0	498	Pc DjembeCmb
F#0	499	Pc TablaBya
G 0	500	Pc TablaNah
G#0	501	Pc TablaMut
A 0	502	Pc TablaCmb
A#0	503	Pc SmlTablDom
B 0	503	Pc SmlTablDom
C 1	1095	Dr BdHardLong
C#1	1054	Dr BdT9-1
D 1	1437	Dr SdT9-2
D#1	955	Pc ElClap1
E 1	1164	Dr SdPwrL1-4
F 1	1665	Dr TomDistLo
F#1	1597	Dr HHClT9
G 1	1664	Dr TomDistHi
G#1	1599	Dr HHClT8-1
A 1	1661	Dr TomSyn1
A#1	1598	Dr HHOpT9
B 1	1662	Dr TomSyn2
C 2	1466	Dr SdHip1
C#2	1675	Dr CrashT9
D 2	1462	Dr SdD&B4
D#2	1606	Dr HHClBreak
E 2	1714	Dr RevCymbal
F 2	879	Pc TmbaleL1-3
F#2	857	Pc Conga Opn
G 2	875	Pc TmbaleH1-3
G#2	858	Pc CongaOpSlp
A 2	912	Pc TambrrnSw
A#2	866	Pc TumbaOpen
B 2	945	Pc Cowbell1
C 3	933	Pc Clave
C#3	873	Pc Bongo H1
D 3	934	Pc WoodBlock
D#3	872	Pc Bongo L
E 3	934	Pc WoodBlock
F 3	522	Pc Dohol L
F#3	893	Pc Cabasa1-2
G 3	523	Pc Dohol H
G#3	899	Pc Shaker 1
A 3	932	Pc Castanet
A#3	890	Pc Maracas1-2
B 3	932	Pc Castanet
C 4	531	Pc Twaisat3
C#4	529	Pc Twaisat
D 4	530	Pc Twaisat2
D#4	532	Pc Twaisat4
E 4	532	Pc Twaisat4
F 4	503	Pc SmlTablDom
F#4	524	Pc BarasimDom
G 4	504	Pc SmlTablSnp
G#4	525	Pc BarasimSak
A 4	505	Pc SmlTablSak
A#4	526	Pc BarasimTak
B 4	506	Pc SmlTablTak
C 5	507	Pc BigTablDom
C#5	527	Pc Segal Dom
D 5	508	Pc BigTablTak
D#5	528	Pc Segal Tak
E 5	509	Pc BigTablSak
F 5	510	Pc TablaDom
F#5	511	Pc TablaTak1
G 5	517	Pc TablaTrem
G#5	512	Pc TablaTak2
A 5	513	Pc TablaTik1
A#5	516	Pc TablaSak1
B 5	515	Pc TablaTik3
C 6	514	Pc TablaTik2

PRE 61 DanceSnare

PRE 62 SpecialSFX

PRE 63 Synthetic

PRE 64 SFX Kit

GM Drum Stereo GM

Note	Wave No.	Wave Name
C 0	1480	Dr SdF1
C#0	1481	Dr SdF2
D 0	1482	Dr SdF3
D#0	1483	Dr SdF4
E 0	1485	Dr SdDist
F 0	1486	Dr SdCut
F#0	1487	Dr SdDodgH
G 0	1488	Dr SdDodgL
G#0	1489	Dr SdFM
A 0	1491	Dr SdSyn
A#0	1495	Dr SdHammr
B 0	1496	Dr SdLofi
C 1	1436	Dr SdT9-1
C#1	1437	Dr SdT9-2
D 1	1438	Dr SdT9-3
D#1	1439	Dr SdT9-4
E 1	1440	Dr SdT9-5
F 1	1441	Dr SdT9Gate
F#1	1443	Dr SdT8-1
G 1	1444	Dr SdT8-2
G#1	1445	Dr SdT8-3
A 1	1446	Dr SdT8-4
A#1	1447	Dr SdT8-5
B 1	1449	Dr SdAnSm
C 2	1451	Dr SdAnCR
C#2	1453	Dr SdHuman1
D 2	1455	Dr SdJngl1
D#2	1456	Dr SdJngl2
E 2	1457	Dr SdJngl3
F 2	1458	Dr SdJnglF
F#2	1459	Dr SdD&B1
G 2	1460	Dr SdD&B2
G#2	1461	Dr SdD&B3
A 2	1462	Dr SdD&B4
A#2	1463	Dr SdR&B1
B 2	1464	Dr SdR&B1Rm
C 3	1465	Dr SdR&B2
C#3	1466	Dr SdHip1
D 3	1467	Dr SdHip2
D#3	1468	Dr SdHip3
E 3	1469	Dr SdHipGate
F 3	1470	Dr SdHipRm1
F#3	1471	Dr SdHipRm2
G 3	1472	Dr SdHipRm3
G#3	1473	Dr SdHipRm4
A 3	1474	Dr SdHipRm5
A#3	1476	Dr SdBreak2
B 3	1478	Dr SdBreakHvy
C 4	1424	Dr SdElec1
C#4	1425	Dr SdElec2
D 4	1426	Dr SdElec3
D#4	1427	Dr SdElec4
E 4	1428	Dr SdElec5
F 4	1429	Dr SdElec6
F#4	1430	Dr SdElec7
G 4	1431	Dr SdElec8
G#4	1432	Dr SdElec9
A 4	1433	Dr SdElec10
A#4	1434	Dr SdElec11
B 4	1435	Dr SdElec12
C 5	1424	Dr SdElec1
C#5	1444	Dr SdT8-2
D 5	1426	Dr SdElec3
D#5	1427	Dr SdElec4
E 5	1428	Dr SdElec5
F 5	1429	Dr SdElec6
F#5	1430	Dr SdElec7
G 5	1424	Dr SdElec1
G#5	1431	Dr SdElec8
A 5	1433	Dr SdElec10
A#5	1434	Dr SdElec11
B 5	1435	Dr SdElec12
C 6	1438	Dr SdT9-3

Note	Wave No.	Wave Name
C 0	625	Wv MiniBlip2
C#0	624	Wv MiniBlip1
D 0	626	Wv MiniBlip3
D#0	627	Wv MiniBlip4
E 0	628	Wv MiniBlip5
F 0	629	Wv MiniBlip6
F#0	792	Se BellFX1
G 0	793	Se BellFX2
G#0	801	Se ElPerc4
A 0	803	Se ElPerc6
A#0	812	Se ElPerc15
B 0	802	Se ElPerc5
C 1	799	Se ElPerc2
C#1	800	Se ElPerc3
D 1	804	Se ElPerc7
D#1	805	Se ElPerc8
E 1	806	Se ElPerc9
F 1	807	Se ElPerc10
F#1	811	Se ElPerc14
G 1	810	Se ElPerc13
G#1	800	Se ElPerc3
A 1	701	Wv Spectrum1
A#1	703	Wv Spectrum3
B 1	702	Wv Spectrum2
C 2	783	Me Shower St
C#2	786	Me ComputerSt
D 2	789	Me Chatter
D#2	779	Me EngrRoomSt
E 2	777	Me Raspberry
F 2	782	Me DigiHeli
F#2	763	Me HopFX1
G 2	710	Me Willow St
G#2	713	Me Anemone St
A 2	716	Me MagnitudSt
A#2	753	Me RadioNz
B 2	761	Me Quiek
C 3	770	Me StabGiant
C#3	769	Me StabOrch
D 3	771	Me StabHard
D#3	772	Me StabOrgan2
E 3	773	Me StabAah
F 3	774	Me Hit Uhh
F#3	775	Me HitOrch2
G 3	767	Me HitOrch1
G#3	768	Me HitBrass
A 3	724	Me OrchHit1St
A#3	727	Me OrchHit2St
B 3	730	Me OrchHit3
C 4	265	Gt PlayF
C#4	265	Gt PlayF Mix
D 4	265	Gt PlayF Mix
D#4	1834	Se Ab FX07
E 4	1835	Se Ab FX08
F 4	1836	Se Ab FX09
F#4	834	Se Scratch H
G 4	835	Se Scratch L
G#4	836	Se ScratchDwn
A 4	837	Se ScratchHIF
A#4	847	Se ScratchStp
B 4	848	Se ScratchSpn
C 5	790	Se Ripper
C#5	795	Se NzBurst
D 5	796	Se Zap1
D#5	797	Se Zap2
E 5	813	Se HiQ1
F 5	814	Se HiQ2
F#5	816	Se Bomb
G 5	819	Se FxGun1
G#5	739	Me Electer
A 5	740	Me HH Hit
A#5	576	Wv PWMfast
B 5	619	Wv FMBass2
C 6	633	Wv FMMetal2

Note	Wave No.	Wave Name
C 0	1102	Dr BdElec2
C#0	847	Se ScratchStp
D 0	1398	Dr SdBrsWrL
D#0	1396	Dr SdBrsWr2R
E 0	1397	Dr SdBrsWrSt
F 0	1390	Dr SdRollMono
F#0	623	Wv FMBass6
G 0	826	Se Seashore
G#0	802	Se ElPerc4
A 0	1107	Dr BdElComp3
A#0	1171	Dr SdPwrR2
B 0	1102	Dr BdElec2
C 1	1100	Dr BdSlimy
C#1	883	Pc TmbIPailaH
D 1	1347	Dr SdPicol
D#1	954	Pc ClapAnSm
E 1	1433	Dr SdElec10
F 1	607	Wv MgBass2
F#1	814	Se HiQ2
G 1	607	Wv MgBass2
G#1	804	Se ElPerc7
A 1	1660	Dr TomT8
A#1	1602	Dr HHOPT8-2
B 1	1660	Dr TomT8
C 2	1660	Dr TomT8
C#2	1674	Dr Crash
D 2	1660	Dr TomT8
D#2	1699	Dr CupMono
E 2	1699	Dr CupMono
F 2	1699	Dr CupMono
F#2	843	Se ScratchSdF
G 2	1693	Dr RideCup RL
G#2	804	Se ElPerc7
A 2	1674	Dr Crash
A#2	745	Me HiLo
B 2	1705	Dr China
C 3	572	Wv RingMod
C#3	805	Se ElPerc8
D 3	572	Wv RingMod
D#3	804	Se ElPerc7
E 3	808	Se ElPerc11
F 3	886	Pc Paila H
F#3	866	Pc Paila H
G 3	763	Me HopFX1
G#3	764	Me HopFX2
A 3	834	Se Scratch H
A#3	837	Se ScratchHIF
B 3	797	Se Zap2
C 4	762	Me LfoSeq
C#4	762	Me LfoSeq
D 4	593	Wv MiniBa3
D#4	761	Me Quiek
E 4	778	Me DigiBreath
F 4	782	Me DigiHeli
F#4	804	Se ElPerc7
G 4	634	Wv FMOrgan1
G#4	536	Pc TibetnBowl
A 4	536	Pc TibetnBowl
A#4	527	Pc Segal Dom
B 4	781	Me EngrRoom R
C 5	805	Se ElPerc8
C#5	195	Gt SttSld St
D 5	625	Wv MiniBlip2
D#5	702	Wv Spectrum2
E 5	628	Wv MiniBlip5
F 5	705	Wv Noise
F#5	1073	Dr BdD&B1
G 5	702	Wv Spectrum2
G#5	719	Me SabreTone
A 5	811	Se ElPerc14
A#5	805	Se ElPerc8
B 5	782	Me DigiHeli
C 6	952	Pc BellTree

Note	Wave No.	Wave Name
C 0	559	Wv FatSawMn
C#0	851	Se ScratchAtk
D 0	702	Wv Spectrum2
D#0	585	Wv 3o3Saw2
E 0	821	Se TurnTable
F 0	1390	Dr SdRollMono
F#0	623	Wv FMBass6
G 0	817	Se TapeRewnd
G#0	802	Se ElPerc5
A 0	1106	Dr BdElComp2
A#0	1194	Dr SdNmSt1-4
B 0	1100	Dr BdSlimy
C 1	1102	Dr BdElec2
C#1	593	Wv MiniBa3
D 1	1282	Dr SdBhSt1-3
D#1	586	Wv 3o3Squ
E 1	1263	Dr SdSon3L
F 1	1664	Dr TomDistHi
F#1	782	Me DigiHeli
G 1	1664	Dr TomDistHi
G#1	799	Se ElPerc2
A 1	1664	Dr TomDistHi
A#1	1602	Dr HHOPT8-2
B 1	1664	Dr TomDistHi
C 2	1664	Dr TomDistHi
C#2	1674	Dr Crash
D 2	1664	Dr TomDistHi
D#2	1692	Dr RideCup R
E 2	1689	Dr RideRL
F 2	1700	Dr CupMono2
F#2	837	Se ScratchHIF
G 2	1707	Dr SplashL
G#2	591	Wv MiniBa1
A 2	1666	Dr CrashCymSt
A#2	779	Me EngrRoomSt
B 2	1693	Dr RideCup RL
C 3	573	Wv SyncLFO
C#3	579	Wv P5SawLp
D 3	565	Wv OBStrings
D#3	1195	Dr SdNmSt1-3
E 3	808	Se ElPerc11
F 3	577	Wv PWMslow
F#3	762	Me LfoSeq
G 3	735	Me BigSyn
G#3	735	Me BigSyn
A 3	775	Me HitOrch2
A#3	503	Pc SmtIbldom
B 3	655	Wv DigiO3
C 4	655	Wv DigiO3
C#4	653	Wv DigiO1
D 4	653	Wv DigiO1
D#4	765	Me Sonar1
E 4	771	Me StabHard
F 4	779	Me EngrRoomSt
F#4	789	Me Chatter
G 4	756	Me Hoo
G#4	534	Pc Mondira
A 4	534	Pc Mondira
A#4	163	Or Rotar
B 4	777	Me Raspberry
C 5	782	Me DigiHeli
C#5	586	Wv 3o3Squ
D 5	764	Me HopFX2
D#5	696	Wv DigiBell3
E 5	815	Se VoxHitRev
F 5	813	Se HiQ1
F#5	817	Se TapeRewnd
G 5	818	Se FxGun2
G#5	819	Se FxGun1
A 5	820	Se Thunder
A#5	822	Se Police
B 5	816	Se Bomb
C 6	816	Se Bomb

Note	Wave No.	Wave Name
C 0	933	Pc Clave
C#0	1391	Dr SdBmSt
D 0	1397	Dr SdBrsWrSt
D#0	1394	Dr SdBmSt2St
E 0	1400	Dr SdBrsWrAtSt
F 0	1387	Dr SdLvRolSt
F#0	932	Pc Castanet
G 0	1200	Dr SdNm1St
G#0	930	Pc Stick
A 0	1008	Dr BdFkSt1-2
A#0	1234	Dr SdBsSt2-3
B 0	1017	Dr BdHiSt
C 1	999	Dr BdNmSt1-2
C#1	1376	Dr SdClRmSt
D 1	1194	Dr SdNmSt1-4
D#1	953	Pc ClapT9
E 1	1233	Dr SdBsSt1-2
F 1	1636	Dr TomFir St
F#1	1498	Dr HHClS1-4St
G 1	1632	Dr TomLow St
G#1	1521	Dr HHPdl3 St
A 1	1632	Dr TomLow St
A#1	1536	Dr HHOpn2 St
B 1	1628	Dr TomMid St
C 2	1628	Dr TomMid St
C#2	1670	Dr CrashSt
D 2	1624	Dr TomHi St
D#2	1682	Dr RideCym St
E 2	1701	Dr ChinaSt
F 2	1690	Dr RideCup St
F#2	912	Pc TambrnSw
G 2	1706	Dr SplashSt
G#2	946	Pc Cowbell2
A 2	1673	Dr CrashRL
A#2	935	Pc Vibraslap
B 2	1685	Dr RideCym RL
C 3	873	Pc Bongo H1
C#3	872	Pc Bongo L
D 3	859	Pc CongaTip
D#3	857	Pc Conga Opn
E 3	866	Pc TumbaOpen
F 3	875	Pc TmbaleH1-3
F#3	879	Pc TmbaleL1-3
G 3	922	Pc AgogoHi
G#3	923	Pc AgogoLo
A 3	893	Pc Cabasa1-2
A#3	891	Pc MaracasSir
B 3	936	Pc Whistle
C 4	936	Pc Whistle
C#4	926	Pc GuiroShort
D 4	925	Pc GuiroLong
D#4	933	Pc Clave
E 4	934	Pc WoodBlock
F 4	934	Pc WoodBlock
F#4	871	Pc CuicaHi
G 4	870	Pc CuicaLo
G#4	939	Pc TriangleMt
A 4	938	Pc TriangleOp
A#4	899	Pc Shaker 1
B 4	951	Pc SleighBel
C 5	952	Pc BellTree
C#5	1274	Dr SdBIL1-3
D 5	1297	Dr SdTgtSt1-4
D#5	1290	Dr SdBhR1-3
E 5	1317	Dr SdHipSt1-2
F 5	1020	Dr BdLoSt
F#5	1355	Dr SdLdwHMono
G 5	1075	Dr BdR&B1
G#5	1358	Dr SdHeavy
A 5	1043	Dr BdRoom1
A#5	1352	Dr SdAmb
B 5	1029	Dr BdFkSonSt
C 6	1044	Dr BdRoom2

No.	Category	Name	No.	Category	Name	No.	Category	Name	No.	Category	Name	No.	Category	Name	No.	Category	Name	No.	Category	Name
701	Wv	Spectrum1	801	Se	ElPerc4	901	Pc	Shaker 3	1001	Dr	BdNm2St	1101	Dr	BdElec1	1201	Dr	SdNm2St	1301	Dr	SdTgtS2-3
702	Wv	Spectrum2	802	Se	ElPerc5	902	Pc	ShakerHip1	1002	Dr	BdNm1L-2	1102	Dr	BdElec2	1202	Dr	SdNm3St	1302	Dr	SdTgtS3-4
703	Wv	Spectrum3	803	Se	ElPerc6	903	Pc	ShakerHip2	1003	Dr	BdNmR1-2	1103	Dr	BdElec3	1203	Dr	SdNm4St	1303	Dr	SdTgt1St
704	Wv	Sine	804	Se	ElPerc7	904	Pc	ShakerHip3	1004	Dr	BdNm1L	1104	Dr	BdElec4	1204	Dr	SdNmL1-4	1304	Dr	SdTgt2St
705	Wv	Noise	805	Se	ElPerc8	905	Pc	ShakerHip4	1005	Dr	BdNm1R	1105	Dr	BdEComp1	1205	Dr	SdNm1R-4	1305	Dr	SdTgt3St
706	Wv	VibeNP	806	Se	ElPerc9	906	Pc	ShakerDw	1006	Dr	BdNm2L	1106	Dr	BdEComp2	1206	Dr	SdNm1L	1306	Dr	SdTgt4St
707	Me	Birch St	807	Se	ElPerc10	907	Pc	ShakerSap	1007	Dr	BdNm2R	1107	Dr	BdEComp3	1207	Dr	SdNm1R	1307	Dr	SdTgtL1-4
708	Me	Birch L	808	Se	ElPerc11	908	Pc	ShakerSap	1008	Dr	BdFKS1-2	1108	Dr	BdEComp4	1208	Dr	SdNm2L	1308	Dr	SdTgtR1-4
709	Me	Birch R	809	Se	ElPerc12	909	Pc	ShakerSap	1009	Dr	BdFKS1-2	1109	Dr	BdEComp5	1209	Dr	SdNm2R	1309	Dr	SdTgt1L
710	Me	Willow St	810	Se	ElPerc13	910	Pc	ShakerSap	1010	Dr	BdFKS2	1110	Dr	BdEComp6	1210	Dr	SdNm3L	1310	Dr	SdTgt1R
711	Me	Willow L	811	Se	ElPerc14	911	Pc	ShakerSap	1011	Dr	BdFKL1-2	1111	Dr	BdEComp7	1211	Dr	SdNm3R	1311	Dr	SdTgt2L
712	Me	Willow R	812	Se	ElPerc15	912	Pc	ShakerSap	1012	Dr	BdFKR1-2	1112	Dr	BdEComp8	1212	Dr	SdNm4L	1312	Dr	SdTgt2R
713	Me	Anemone St	813	Se	HiQ1	913	Pc	TambrnHit	1013	Dr	BdFKML	1113	Dr	BdEComp9	1213	Dr	SdNm4R	1313	Dr	SdTgt3L
714	Me	Anemone L	814	Se	HiQ2	914	Pc	TambrnShk	1014	Dr	BdFKMR	1114	Dr	SdBldSt1-4	1214	Dr	SdFKSt1-3	1314	Dr	SdTgt3R
715	Me	Anemone R	815	Se	VoxHitRev	915	Pc	PandieroOp	1015	Dr	BdFKHL	1115	Dr	SdBldSt1-3	1215	Dr	SdFKSt1-2	1315	Dr	SdTgt4L
716	Me	Magnitud St	816	Se	Bomb	916	Pc	PandierThm	1016	Dr	BdFKHR	1116	Dr	SdBldSt2-4	1216	Dr	SdFKSt2-3	1316	Dr	SdTgt4R
717	Me	Magnitud L	817	Se	TapRewnd	917	Pc	PandierTip	1017	Dr	BdHSt	1117	Dr	SdBldSt1-2	1217	Dr	SdFKSt1/3	1317	Dr	SdHipSt1-2
718	Me	Magnitud R	818	Se	FxGun2	918	Pc	PandiroHeel	1018	Dr	BdJHL	1118	Dr	SdBldSt2-3	1218	Dr	SdFK2St	1318	Dr	SdHip1St
719	Me	Sabre Tone	819	Se	FxGun1	919	Pc	TmbourinOp	1019	Dr	BdHIR	1119	Dr	SdBldSt3-4	1219	Dr	SdFK1St	1319	Dr	SdHip2St
720	Me	StrngPadSt	820	Se	Thunder	920	Pc	TmbourinFng	1020	Dr	BdLoSt	1120	Dr	SdBldSt1	1220	Dr	SdFK3St	1320	Dr	SdHipL1-2
721	Me	StrngPad L	821	Se	TurnTable	921	Pc	TmbourinMt	1021	Dr	BdLoL	1121	Dr	SdBldSt2	1221	Dr	SdFKL1-3	1321	Dr	SdHipL1-2
722	Me	StrngPad R	822	Se	Police	922	Pc	AgogoHi	1022	Dr	BdLoR	1122	Dr	SdBldSt3	1222	Dr	SdFKR1-3	1322	Dr	SdHipL
723	Me	VocalRes	823	Se	DoorSqk	923	Pc	AgogoLo	1023	Dr	BdHsonSt	1123	Dr	SdBldSt4	1223	Dr	SdFKL1-3	1323	Dr	SdHip1R
724	Me	OrchHit1 St	824	Se	HeartBeat	924	Pc	AgogoLoTap	1024	Dr	BdHsonR	1124	Dr	SdBldL1-4	1224	Dr	SdFK1R	1324	Dr	SdHip2L
725	Me	OrchHit1 L	825	Se	Helicopter	925	Pc	Gurolong	1025	Dr	BdHsonL	1125	Dr	SdBldR1-4	1225	Dr	SdFK2L	1325	Dr	SdHip2R
726	Me	OrchHit1 R	826	Se	Seashore	926	Pc	GuoroShort	1026	Dr	BdLsonSt	1126	Dr	SdBldL	1226	Dr	SdFK2R	1326	Dr	SdRkOp1St
727	Me	OrchHit2 St	827	Se	Telephone	927	Pc	GuoroSwp	1027	Dr	BdLsonL	1127	Dr	SdBldL2	1227	Dr	SdFK3L	1327	Dr	SdRkOp1L
728	Me	OrchHit2 L	828	Se	TelRing	928	Pc	GuoroSwp	1028	Dr	BdLsonR	1128	Dr	SdBldL3	1228	Dr	SdFK3R	1328	Dr	SdRkOp1R
729	Me	OrchHit2 R	829	Se	Bird	929	Pc	SurdoMt	1029	Dr	BdFKsonL	1129	Dr	SdBldL4	1229	Dr	SdFKAYSt	1329	Dr	SdRkMte1St
730	Me	OrchHit3	830	Se	Stream	930	Pc	Stick	1030	Dr	BdFKsonL	1130	Dr	SdBldR1	1230	Dr	SdFKAYL	1330	Dr	SdRkMte1L
731	Me	VoxBell	831	Se	Gunshot	931	Pc	Stick2	1031	Dr	BdFKsonR	1131	Dr	SdBldR2	1231	Dr	SdFKAYR	1331	Dr	SdRkMte1R
732	Me	Melow	832	Se	Applause	932	Pc	Castanet	1032	Dr	BdRk1St	1132	Dr	SdBldR3	1232	Dr	SdBSt1-3	1332	Dr	SdRkRim1St
733	Me	WindChime	833	Se	RainLoop	933	Pc	Clave	1033	Dr	BdRk1L	1133	Dr	SdBldR4	1233	Dr	SdBSt1-2	1333	Dr	SdRkRim1L
734	Me	BellAir	834	Se	Scratch H	934	Pc	WoodBlock	1034	Dr	BdRk1R	1134	Dr	SdSolSt1-4	1234	Dr	SdBSt2-3	1334	Dr	SdRkRim1R
735	Me	BigSyn	835	Se	Scratch L	935	Pc	Vibraslap	1035	Dr	BdRk2St	1135	Dr	SdSolSt1-3	1235	Dr	SdBSt1/3	1335	Dr	SdRkOp2St
736	Me	TranCho	836	Se	ScratchDwn	936	Pc	Whistle	1036	Dr	BdRk2L	1136	Dr	SdSolSt2-4	1236	Dr	SdBSt1St	1336	Dr	SdRkOp2L
737	Me	StabOrgLP	837	Se	ScratchHIF	937	Pc	TriangleSw	1037	Dr	BdRk2R	1137	Dr	SdSolSt1-2	1237	Dr	SdBSt2St	1337	Dr	SdRkOp2R
738	Me	Eery	838	Se	ScratchHIR	938	Pc	TriangleOp	1038	Dr	BdDry1	1138	Dr	SdSolSt2-3	1238	Dr	SdBSt3St	1338	Dr	SdRkMte2St
739	Me	Electer	839	Se	ScratchLoF	939	Pc	TriangleMt	1039	Dr	BdDry2	1139	Dr	SdSolSt3-4	1239	Dr	SdSolSt1-3	1339	Dr	SdRkMte2L
740	Me	HH Hit	840	Se	ScratchLoR	940	Pc	HandClapSt	1040	Dr	BdPop	1140	Dr	SdSolL1-4	1240	Dr	SdBSt1-3	1340	Dr	SdRkMte2R
741	Me	VoxAik	841	Se	ScratchBdF	941	Pc	HandClapL	1041	Dr	BdVar1	1141	Dr	SdSolR1-4	1241	Dr	SdBSt1L	1341	Dr	SdRkRim2St
742	Me	MultiPiano	842	Se	ScratchBdR	942	Pc	HandClapR	1042	Dr	BdVar2	1142	Dr	SdSolSt1	1242	Dr	SdBSt1R	1342	Dr	SdRkRim2L
743	Me	BellChoir	843	Se	ScratchSdF	943	Pc	Handbell L	1043	Dr	BdRoom1	1143	Dr	SdSolSt2	1243	Dr	SdBSt2L	1343	Dr	SdRkRim2R
744	Me	DirtyPerc	844	Se	ScratchSdR	944	Pc	Handbell H	1044	Dr	BdRoom2	1144	Dr	SdSolSt3	1244	Dr	SdBSt2R	1344	Dr	SdRkRim2L
745	Me	HiLo	845	Se	ScratchVoF	945	Pc	Cowbell1	1045	Dr	BdRoom3	1145	Dr	SdSolSt4	1245	Dr	SdBSt3L	1345	Dr	SdRkRim2R
746	Me	AirHoseSt	846	Se	ScratchVoR	946	Pc	Cowbell2	1046	Dr	GmCasOpSt	1146	Dr	SdSolL1	1246	Dr	SdBSt3R	1346	Dr	SdRkFlmR
747	Me	AirHoseL	847	Se	ScratchSp	947	Pc	MamboB1	1047	Dr	GmCasOp L	1147	Dr	SdSolL2	1247	Dr	SdSolSt1-4	1347	Dr	SdPcol
748	Me	AirHoseR	848	Se	ScratchSpn	948	Pc	MamboB2	1048	Dr	GmCasOp R	1148	Dr	SdSolL3	1248	Dr	SdSolSt1-3	1348	Dr	SdPcRim
749	Me	Bubble	849	Se	ScratchHip	949	Pc	MamboBdy	1049	Dr	GmCasMSt	1149	Dr	SdSolL4	1249	Dr	SdSolSt2-4	1349	Dr	SdPcRim2
750	Me	Swarm	850	Se	ScratchHp2	950	Pc	ChaCha	1050	Dr	GmCasMt L	1150	Dr	SdSolR1	1250	Dr	SdSolSt1-2	1350	Dr	SdMid
751	Me	Lektronica	851	Se	ScratchAtk	951	Pc	SleighBt	1051	Dr	GmCasMt R	1151	Dr	SdSolR2	1251	Dr	SdSolSt2-3	1351	Dr	SdMdrim
752	Me	SpaceScrem	852	Se	ScratchR&B	952	Pc	BellTree	1052	Dr	BdGate	1152	Dr	SdSolR3	1252	Dr	SdSolSt3-4	1352	Dr	SdAmb
753	Me	RadioNz	853	Se	ScratchCmb	953	Pc	ClapT9	1053	Dr	BdFYGate	1153	Dr	SdSolR4	1253	Dr	SdSolSt1St	1353	Dr	SdGate1
754	Me	QohFB	854	Se	ScratchCb2	954	Pc	ClapAnSm	1054	Dr	BdT9-1	1154	Dr	SdPwrSt1-4	1254	Dr	SdSolSt2St	1354	Dr	SdGate2
755	Me	Fairwave	855	Se	ScratchCb3	955	Pc	ElClap1	1055	Dr	BdT9-2	1155	Dr	SdPwrSt1-3	1255	Dr	SdSolSt3St	1355	Dr	SdLwHwMmo
756	Me	Hoo	856	Se	ScratchCb4	956	Pc	ElClap2	1056	Dr	BdT9-3	1156	Dr	SdPwrSt2-4	1256	Dr	SdSolSt4St	1356	Dr	SdBrRim
757	Me	Mind Bell	857	Pc	Conga Opn	957	Pc	CongaT8	1057	Dr	BdT9-4	1157	Dr	SdPwrSt1-2	1257	Dr	SdSolL1-4	1357	Dr	SdDry
758	Me	Loop145	858	Pc	CongaOpSlp	958	Pc	CongaBt8	1058	Dr	BdT9Hd1	1158	Dr	SdPwrSt2-3	1258	Dr	SdSolL1-4	1358	Dr	SdHeavy
759	Me	X-Fade	859	Pc	CongaTip	959	Pc	CowBellR&B	1059	Dr	BdT9Hd2	1159	Dr	SdPwrSt3-4	1259	Dr	SdSolL1	1359	Dr	SdGM
760	Me	ResoXFade	860	Pc	CongaBtm	960	Pc	CowBellANCR	1060	Dr	BdT9Hd3	1160	Dr	SdPwrSt1	1260	Dr	SdSolR1R	1360	Dr	SdRkStk1St
761	Me	Quiek	861	Pc	CongaStick	961	Pc	ElCobwell	1061	Dr	BdT8-1	1161	Dr	SdPwrSt2	1261	Dr	SdSolL2L	1361	Dr	SdRkStk1L
762	Me	LtSeq	862	Pc	Quint1Opn	962	Pc	AnaShaker	1062	Dr	BdT8-2	1162	Dr	SdPwrSt3	1262	Dr	SdSolR2R	1362	Dr	SdRkStk1R
763	Me	HopFX1	863	Pc	Quint1Slp	963	Pc	TambrnRX5	1063	Dr	BdT8-3	1163	Dr	SdPwrSt4	1263	Dr	SdSolL3L	1363	Dr	SdRkStk2St
764	Me	HopFX2	864	Pc	Quint2Opn	964	Pc	TambrnANCR	1064	Dr	BdAnSm	1164	Dr	SdPwrL1-4	1264	Dr	SdSolR3L	1364	Dr	SdRkStk2L
765	Me	Sonar1	865	Pc	Quint2Heel	965	Pc	ElTambrn1	1065	Dr	BdANCR	1165	Dr	SdPwrR1-4	1265	Dr	SdSolL4L	1365	Dr	SdRkStk2R
766	Me	Sonar2	866	Pc	TumbaOpen	966	Pc	ElTambrn2	1066	Dr	BdHman1	1166	Dr	SdPwrL1	1266	Dr	SdSolR4R	1366	Dr	SdHipStk1
767	Me	HiOrch1	867	Pc	TumbaSlp	967	Pc	MarsT8	1067	Dr	BdHman2	1167	Dr	SdPwrL2	1267	Dr	SdBSt1-3	1367	Dr	SdHipStk2
768	Me	HiBrass	868	Pc	TumbaTip	968	Pc	ElMars	1068	Dr	BdBlip	1168	Dr	SdPwrL3	1268	Dr	SdBSt1-2	1368	Dr	SdHipStk3
769	Me	StabOrch	869	Pc	TumbaHeel	969	Pc	ClaveT8	1069	Dr	BdBlpHd	1169	Dr	SdPwrL4	1269	Dr	SdBSt2-3	1369	Dr	SdHipStk4
770	Me	StabGiant	870	Pc	CucaLo	970	Pc	ElTriangl	1070	Dr	BdJngl1	1170	Dr	SdPwrR1	1270	Dr	SdBSt1/3	1370	Dr	SdHipStk5
771	Me	StabHard	871	Pc	CucaHl	971	Pc	AnaClick	1071	Dr	BdJngl2	1171	Dr	SdPwrR2	1271	Dr	SdBSt1St	1371	Dr	SdHipStk6St
772	Me	StabOrgan2	872	Pc	Bongo L	972	Dr													

No.	Category	Name	No.	Category	Name	No.	Category	Name	No.	Category	Name	No.	Category	Name
1401	Dr	SdBrsSwrAtL	1501	Dr	HHCIs3 St	1601	Dr	HHCIT8-2	1701	Dr	ChinaSt	1801	Se	Ag FX29 R
1402	Dr	SdBrsSwrAtR	1502	Dr	HHCIs4 St	1602	Dr	HHOpT8-2	1702	Dr	ChinaL	1802	Se	Ag FX30 St
1403	Dr	SdMrc1SwSt	1503	Dr	HHCIs1-4 L	1603	Dr	HHCIRX5	1703	Dr	ChinaR	1803	Se	Ag FX30 L
1404	Dr	SdMrc1S St	1504	Dr	HHCIs1-4 R	1604	Dr	HHCiAnCR	1704	Dr	ChinaRL	1804	Se	Ag FX30 R
1405	Dr	SdMrc1H St	1505	Dr	HHCIs1 L	1605	Dr	HHOpAnCR	1705	Dr	China	1805	Se	Eg FX01
1406	Dr	SdMrc1Sw L	1506	Dr	HHCIs2 L	1606	Dr	HHCiBreak	1706	Dr	SplashSt	1806	Se	Eg FX02
1407	Dr	SdMrc1Sw R	1507	Dr	HHCIs3 L	1607	Dr	HHPdIBreak	1707	Dr	SplashL	1807	Se	Eg FX03
1408	Dr	SdMrc1S L	1508	Dr	HHCIs4 L	1608	Dr	HHCID&B	1708	Dr	SplashR	1808	Se	Eg FX04
1409	Dr	SdMrc1H L	1509	Dr	HHCIs1 R	1609	Dr	HHPdID&B	1709	Dr	SplashRL	1809	Se	Eg FX05
1410	Dr	SdMrc1S R	1510	Dr	HHCIs2 R	1610	Dr	HHOpD&B	1710	Dr	CrashT9	1810	Se	Eg FX06
1411	Dr	SdMrc1H R	1511	Dr	HHCIs3 R	1611	Dr	HHRVD&B	1711	Dr	CrashT8	1811	Se	Eg FX07
1412	Dr	SdMrc2SwSt	1512	Dr	HHCIs4 R	1612	Dr	HHCITek	1712	Dr	CrashSyn	1812	Se	Eg FX08
1413	Dr	SdMrc2S St	1513	Dr	HHCIs1-4RL	1613	Dr	HHOpTek	1713	Dr	RideT9	1813	Se	Eg FX09
1414	Dr	SdMrc2H St	1514	Dr	HHCIs1 RL	1614	Dr	HHCiHip	1714	Dr	RevCymbal	1814	Se	Eg FX10
1415	Dr	SdMrc2Sw L	1515	Dr	HHCIs2 RL	1615	Dr	HHPdIHip	1715	Se	Ag FX01 St	1815	Se	Eg FX11
1416	Dr	SdMrc2Sw R	1516	Dr	HHCIs3 RL	1616	Dr	HHOpHip	1716	Se	Ag FX01 L	1816	Se	Eg FX12
1417	Dr	SdMrc2S L	1517	Dr	HHCIs4 RL	1617	Dr	HHCiLoFi	1717	Se	Ag FX01 R	1817	Se	Eg FX13
1418	Dr	SdMrc2H L	1518	Dr	HHPd1-3St	1618	Dr	HHOpLoFi	1718	Se	Ag FX02 St	1818	Se	Eg FX14
1419	Dr	SdMrc2S R	1519	Dr	HHPd1 St	1619	Dr	HHCiSyn	1719	Se	Ag FX02 L	1819	Se	Eg FX15
1420	Dr	SdMrc2H R	1520	Dr	HHPd2 St	1620	Dr	HHOpSyn	1720	Se	Ag FX02 R	1820	Se	Eg FX16
1421	Dr	SdMrcRolSt	1521	Dr	HHPd3 St	1621	Dr	HHCiFx	1721	Se	Ag FX03 St	1821	Se	Eg FX17
1422	Dr	SdMrcRol L	1522	Dr	HHPd1-3 L	1622	Dr	HHOpFx	1722	Se	Ag FX03 L	1822	Se	Eg FX18
1423	Dr	SdMrcRol R	1523	Dr	HHPd1-3 R	1623	Dr	HHOpHuman	1723	Se	Ag FX03 R	1823	Se	Eg FX19
1424	Dr	SdElec1	1524	Dr	HHPd1 L	1624	Dr	TomHi St	1724	Se	Ag FX04 St	1824	Se	Eg FX20
1425	Dr	SdElec2	1525	Dr	HHPd2 L	1625	Dr	TomHi L	1725	Se	Ag FX04 L	1825	Se	Eg FX21
1426	Dr	SdElec3	1526	Dr	HHPd3 L	1626	Dr	TomHi R	1726	Se	Ag FX04 R	1826	Se	Eg FX22
1427	Dr	SdElec4	1527	Dr	HHPd1 R	1627	Dr	TomHi RL	1727	Se	Ag FX05 St	1827	Se	Eg FX23
1428	Dr	SdElec5	1528	Dr	HHPd2 R	1628	Dr	TomMid L	1728	Se	Ag FX05 L	1828	Se	Ab FX01
1429	Dr	SdElec6	1529	Dr	HHPd3 R	1629	Dr	TomMid L	1729	Se	Ag FX05 R	1829	Se	Ab FX02
1430	Dr	SdElec7	1530	Dr	HHPd1-3RL	1630	Dr	TomMid R	1730	Se	Ag FX06 St	1830	Se	Ab FX03
1431	Dr	SdElec8	1531	Dr	HHPd1 RL	1631	Dr	TomMid RL	1731	Se	Ag FX06 L	1831	Se	Ab FX04
1432	Dr	SdElec9	1532	Dr	HHPd2 RL	1632	Dr	TomLow St	1732	Se	Ag FX06 R	1832	Se	Ab FX05
1433	Dr	SdElec10	1533	Dr	HHPd3 RL	1633	Dr	TomLow L	1733	Se	Ag FX07 St	1833	Se	Ab FX06
1434	Dr	SdElec11	1534	Dr	HHOpn1-2St	1634	Dr	TomLow R	1734	Se	Ag FX07 L	1834	Se	Ab FX07
1435	Dr	SdElec12	1535	Dr	HHOpn1 St	1635	Dr	TomLow RL	1735	Se	Ag FX07 R	1835	Se	Ab FX08
1436	Dr	SdT9-1	1536	Dr	HHOpn2 St	1636	Dr	TomFir St	1736	Se	Ag FX08 St	1836	Se	Ab FX09
1437	Dr	SdT9-2	1537	Dr	HHOpn1-2 L	1637	Dr	TomFir L	1737	Se	Ag FX08 L	1837	Se	Eb FX 01
1438	Dr	SdT9-3	1538	Dr	HHOpn1-2 R	1638	Dr	TomFir R	1738	Se	Ag FX08 R	1838	Se	Eb FX 02
1439	Dr	SdT9-4	1539	Dr	HHOpn1 L	1639	Dr	TomFir RL	1739	Se	Ag FX09 St	1839	Se	Eb FX 03
1440	Dr	SdT9-5	1540	Dr	HHOpn2 L	1640	Dr	TomRkHiSt	1740	Se	Ag FX09 L	1840	Se	Eb FX 04
1441	Dr	SdT9Gate	1541	Dr	HHOpn1 R	1641	Dr	TomRkHiL	1741	Se	Ag FX09 R	1841	Se	Eb FX 05
1442	Dr	SdT9Rim	1542	Dr	HHOpn2 R	1642	Dr	TomRkHiR	1742	Se	Ag FX10 St	1842	Se	Eb FX 06
1443	Dr	SdT8-1	1543	Dr	HHOpn1-2RL	1643	Dr	TomRkHiRL	1743	Se	Ag FX10 L	1843	Se	Eb FX 07
1444	Dr	SdT8-2	1544	Dr	HHOpn1 RL	1644	Dr	TomRkMdSt	1744	Se	Ag FX10 R	1844	Se	Eb FX 08
1445	Dr	SdT8-3	1545	Dr	HHOpn2 RL	1645	Dr	TomRkMdL	1745	Se	Ag FX11 St	1845	Se	Eb FX 09
1446	Dr	SdT8-4	1546	Dr	HHCiFiSt	1646	Dr	TomRkMdR	1746	Se	Ag FX11 L	1846	Se	Eb FX 10
1447	Dr	SdT8-5	1547	Dr	HHCiFiL	1647	Dr	TomRkMdRL	1747	Se	Ag FX11 R	1847	Se	Eb FX 11
1448	Dr	SdT8Rim	1548	Dr	HHCiFiR	1648	Dr	TomRkLoSt	1748	Se	Ag FX12 St	1848	Se	Eb FX 12
1449	Dr	SdAnSm	1549	Dr	HHCiFiRL	1649	Dr	TomRkLoL	1749	Se	Ag FX12 L	1849	Se	Eb FX 13
1450	Dr	SdAnSmRim	1550	Dr	HHHi2St	1650	Dr	TomRkLoR	1750	Se	Ag FX12 R	1850	Se	Eb FX 14
1451	Dr	SdAnCR	1551	Dr	HHHi2L	1651	Dr	TomRkLoRL	1751	Se	Ag FX13 St	1851	Se	Eb FX 15
1452	Dr	SdAnCRim	1552	Dr	HHHi2R	1652	Dr	TomMonoHi	1752	Se	Ag FX13 L	1852	Se	Eb FX 16
1453	Dr	SdHuman1	1553	Dr	HHHi2RL	1653	Dr	TomMonoLo	1753	Se	Ag FX13 R	1853	Se	Eb FX 17
1454	Dr	SdHuman2	1554	Dr	HHOp2St	1654	Dr	TomDryHi	1754	Se	Ag FX14 St	1854	Se	Eb FX 18
1455	Dr	SdJng1	1555	Dr	HHOp2L	1655	Dr	TmDryLo	1755	Se	Ag FX14 L	1855	Se	Eb FX 19
1456	Dr	SdJng2	1556	Dr	HHOp2R	1656	Dr	TomAmbHi	1756	Se	Ag FX14 R	1856	Se	Eb FX 20
1457	Dr	SdJng3	1557	Dr	HHOp2RL	1657	Dr	TomAmbLo	1757	Se	Ag FX15 St	1857	Se	Eb FX 21
1458	Dr	SdJngFx	1558	Dr	HHCiRkStSw	1658	Dr	TomT9Hi	1758	Se	Ag FX15 L	1858	Se	Eb FX 22
1459	Dr	SdD&B1	1559	Dr	HHCiRkRLSw	1659	Dr	TomT9Lo	1759	Se	Ag FX15 R	1859	Se	Eb FX 23
1460	Dr	SdD&B2	1560	Dr	HHCiRkSSt	1660	Dr	TomT8	1760	Se	Ag FX16 St			
1461	Dr	SdD&B3	1561	Dr	HHCiRkSRL	1661	Dr	TomSyn1	1761	Se	Ag FX16 L			
1462	Dr	SdD&B4	1562	Dr	HHCiRkHSt	1662	Dr	TomSyn2	1762	Se	Ag FX16 R			
1463	Dr	SdR&B1	1563	Dr	HHCiRkHRL	1663	Dr	TomAnSm	1763	Se	Ag FX17 St			
1464	Dr	SdR&B1Rm	1564	Dr	HHCiRkLsw	1664	Dr	TomDistHi	1764	Se	Ag FX17 L			
1465	Dr	SdR&B2	1565	Dr	HHCiRkRsw	1665	Dr	TomDistLo	1765	Se	Ag FX17 R			
1466	Dr	SdHip1	1566	Dr	HHCiRkSL	1666	Dr	CrashCymSt	1766	Se	Ag FX18 St			
1467	Dr	SdHip2	1567	Dr	HHCiRkSR	1667	Dr	CrashCym L	1767	Se	Ag FX18 L			
1468	Dr	SdHip3	1568	Dr	HHCiRkHL	1668	Dr	CrashCym R	1768	Se	Ag FX18 R			
1469	Dr	SdHipGate	1569	Dr	HHCiRkHR	1669	Dr	CrashCymRL	1769	Se	Ag FX19 St			
1470	Dr	SdHipRm1	1570	Dr	HHPdRkStSw	1670	Dr	CrashSt	1770	Se	Ag FX19 L			
1471	Dr	SdHipRm2	1571	Dr	HHPdRkRLSw	1671	Dr	CrashL	1771	Se	Ag FX19 R			
1472	Dr	SdHipRm3	1572	Dr	HHPdRkLsw	1672	Dr	CrashR	1772	Se	Ag FX20 St			
1473	Dr	SdHipRm4	1573	Dr	HHPdRkRsw	1673	Dr	CrashRL	1773	Se	Ag FX20 L			
1474	Dr	SdHipRm5	1574	Dr	HHCiRk2St	1674	Dr	Crash	1774	Se	Ag FX20 R			
1475	Dr	SdBreak1	1575	Dr	HHCiRk2L	1675	Dr	Crash2	1775	Se	Ag FX21 St			
1476	Dr	SdBreak2	1576	Dr	HHCiRk2R	1676	Dr	HndCymOpSt	1776	Se	Ag FX21 L			
1477	Dr	SdBreak3	1577	Dr	HHCiRk2RL	1677	Dr	HndCymOp L	1777	Se	Ag FX21 R			
1478	Dr	SdBreakHvy	1578	Dr	HHPdRkSt	1678	Dr	HndCymOp R	1778	Se	Ag FX22 St			
1479	Dr	SdBreakRol	1579	Dr	HHPdRkL	1679	Dr	HndCymMtSt	1779	Se	Ag FX22 L			
1480	Dr	SdFx1	1580	Dr	HHPdRkR	1680	Dr	HndCymMt L	1780	Se	Ag FX22 R			
1481	Dr	SdFx2	1581	Dr	HHPdRkRL	1681	Dr	HndCymMt R	1781	Se	Ag FX23 St			
1482	Dr	SdFx3	1582	Dr	HHOpRkStSw	1682	Dr	RideCym St	1782	Se	Ag FX23 L			
1483	Dr	SdFx4	1583	Dr	HHOpRkRLSw	1683	Dr	RideCym L	1783	Se	Ag FX23 R			
1484	Dr	SdClpAna	1584	Dr	HHOpRkSt	1684	Dr	RideCym R	1784	Se	Ag FX24 St			
1485	Dr	SdDist	1585	Dr	HHOpRkRL	1685	Dr	RideCym RL	1785	Se	Ag FX24 L			
1486	Dr	SdCut	1586	Dr	HHHOpRkSt	1686	Dr	RideSt	1786	Se	Ag FX24 R			
1487	Dr	SdDodgH	1587	Dr	HHOpRkLsw	1687	Dr	RideL	1787	Se	Ag FX25 St			
1488	Dr	SdDodgL	1588	Dr	HHOpRkRsw	1688	Dr	RideR	1788	Se	Ag FX25 L			
1489	Dr	SdFM	1589	Dr	HHOpRkL	1689	Dr	RideRL	1789	Se	Ag FX25 R			
1490	Dr	SdFRim	1590	Dr	HHOpRkR	1690	Dr	RideCup St	1790	Se	Ag FX26 St			
1491	Dr	SdSyn	1591	Dr	HHHOpRkL	1691	Dr	RideCup L	1791	Se	Ag FX26 L			
1492	Dr	SdClappy	1592	Dr	HHHOpRkR	1692	Dr	RideCup R	1792	Se	Ag FX26 R			
1493	Dr	SdTimbr	1593	Dr	HHHOpRkRL	1693	Dr	RideCup RL	1793	Se	Ag FX27 St			
1494	Dr	SdWood	1594	Dr	HHCiMono	1694	Dr	CupSt	1794	Se	Ag FX27 L			
1495	Dr	SdHamnr	1595	Dr	HHOpMono	1695	Dr	CupL	1795	Se	Ag FX27 R			
1496	Dr	SdLoFi	1596	Dr	HHPdIMono	1696	Dr	CupR	1796	Se	Ag FX28 St			
1497	Dr	SdRimSE	1597	Dr	HHCIT9	1697	Dr	CupRL	1797	Se	Ag FX28 L			
1498	Dr	HHCIs1-4St	1598	Dr	HHOpT9	1698	Dr	RideMono	1798	Se	Ag FX28 R			
1499	Dr	HHCIs1 St	1599	Dr	HHCIT8-1	1699	Dr	CupMono	1799	Se	Ag FX29 St			
1500	Dr	HHCIs2 St	1600	Dr	HHOpT8-1	1700	Dr	CupMono2	1800	Se	Ag FX29 L			

パフォーマンススリスト

Number	Performance Name	Perf. Category	Subcategory
1	Cyber Step	Co	SEQ
2	9Ft.Hammrz	Co	SEQ
3	Dynasty	Co	SPLIT
4	HyperComp	Co	SEQ
5	SambaMan	Co	SEQ
6	Istanbul	Co	SEQ
7	Criminal	Gt	A.GTR
8	OnTheTube	Co	SEQ
9	ProgBallad	Co	SEQ
10	Shibui	Co	SEQ
11	Lena	Pd	BRIGHT
12	ClavsOFunk	Co	SEQ
13	Purgatory	Me	MOTION
14	DreamBild	Ap	A.PIANO
15	HoodBeater	Co	SEQ
16	80'sSynths	Co	SEQ
17	New Lover	Co	SEQ
18	GuitarBed	Co	SEQ
19	MusicalBox	Pd	SOFT
20	WaterDance	Co	SEQ
21	Latinizer	Co	SEQ
22	Traveller	Co	SEQ
23	Latin Gig	Co	SPLIT
24	DnB Voxy	Co	SEQ
25	BluesCruis	Co	SEQ
26	Relax EP	Co	SEQ
27	Fat Analog	Pd	SOFT
28	Gospel	Co	SEQ
29	Spectral	Me	MOTION
30	LoveAffair	Kb	E.PIANO
31	R&B 2003	Co	SEQ
32	RareGroove	Co	SEQ
33	RoundBeat	Co	SEQ
34	Alterno	Co	SEQ
35	Baroque	Co	SPLIT
36	Systematic	Co	SEQ
37	San Juan	Co	SPLIT
38	Masala	Co	SEQ
39	RhthmBreak	Co	SPLIT
40	Blitz	Co	SEQ
41	Worship	Co	SEQ
42	Hands	Ap	A.PIANO
43	Voxy Pad	Pd	SOFT
44	Jazz Combo	Co	SEQ
45	FromHeaven	Me	MOTION
46	Romance	Ap	A.PIANO
47	Cross Over	Co	SEQ
48	SoftAnalog	Co	SEQ
49	Powerdrive	Co	SEQ
50	ConcertRck	Co	SEQ
51	BigChurch	Co	SPLIT
52	X-Flange	Me	MOTION
53	LatinRockr	Co	SEQ
54	DelhiShade	Gt	PLUCK
55	FreezeOver	Co	SPLIT
56	ClapBeat	Co	SEQ
57	SlapHappy	Co	SPLIT
58	Pulsewings	Co	SEQ
59	AnglBreath	Pd	SOFT
60	Cruizin'	Co	SEQ
61	Marbles	Pd	BRIGHT
62	MotionRose	Me	MOTION
63	Hop It	Co	SEQ
64	AnlogPower	Co	SEQ

Number	Performance Name	Perf. Category	Subcategory
65	Newcomer	Co	SEQ
66	Wah Wow !	Co	SEQ
67	Concerto	St	ENSEM.
68	PlayzMusic	Co	SEQ
69	WurlyRetro	Co	SEQ
70	7 Veils	Co	SEQ
71	SoftFeelin	Co	SPLIT
72	Seconds	Co	SEQ
73	Bass&Key	Co	SPLIT
74	Phase Dyno	Co	SEQ
75	Sprinkler	Pd	SOFT
76	EP Kruzer	Co	SEQ
77	Ojmjakon	Me	MOTION
78	Stormy	Kb	E.PIANO
79	EasyGroove	Co	SEQ
80	DarkGroove	Co	SEQ
81	Happy Hour	Co	SEQ
82	Atmos-Rock	Co	SEQ
83	Finale	St	ENSEM.
84	Sister	Co	SEQ
85	Jazz-Fes	Co	SEQ
86	WorldWind	Co	SEQ
87	The Piper	Co	SPLIT
88	PsychBreak	Co	SEQ
89	Suspicion	Co	SPLIT
90	MIDI Pluck	Co	SEQ
91	Oceans	Pd	SOFT
92	70'sFusion	Co	SEQ
93	Absinth	Me	MOTION
94	2Manuals	Or	ELEC.
95	Reflection	Co	SEQ
96	FunkyHouse	Co	SEQ
97	Example	Co	SEQ
98	Loud&Proud	Co	SEQ
99	Dolcemente	Co	SPLIT
100	ChillKid	Co	SEQ
101	BrassOctvs	Br	SECTION
102	Ya Rayah	Co	SEQ
103	Chillin'	Co	SEQ
104	LunarBeats	Co	SEQ
105	FunkJam	Co	SEQ
106	80s Split	Co	SEQ
107	Big Back	Pd	SOFT
108	Tiger	Co	SEQ
109	WaveDance	Me	MOTION
110	FullMonty	Or	ELEC.
111	iXacto	Co	SEQ
112	TranceSet	Co	SEQ
113	NewRetro	Co	SEQ
114	Outcast	Co	SEQ
115	WarmStrngs	St	ENSEM.
116	Icelandic	Co	SEQ
117	BrassChord	Br	SECTION
118	Ivory	Co	SEQ
119	UrbanNylon	Co	SEQ
120	Tekkmaster	Co	SEQ
121	SmoothLead	Co	SPLIT
122	Wurli Pop	Co	SPLIT
123	FattyPaddy	Pd	SOFT
124	SoulOfOld	Co	SEQ
125	Baikal	Me	MOTION
126	LushSwish	Or	ELEC.
127	CosmosDanc	Co	SEQ
128	NuJazz Gig	Co	SEQ

エフェクトタイプリスト

Effect Category	Effect Name		LCD	MIDI (HEX)		No.			
				MSB	LSB	REV	CHO	InsA	InsB
	---	NO EFFECT	off	00	00	0	0		
	---	THRU	Thru	--	--			0	0
REVERB									
	REV	HALL 1	Hall 1	01	00	1	1	1	1
	REV	HALL 2	Hall 2	01	01	2	2	2	2
	REV	ROOM 1	Room 1	01	10	3	3	3	3
	REV	ROOM 2	Room 2	01	11	4	4	4	4
	REV	ROOM 3	Room 3	01	12	5	5	5	5
	REV	STAGE 1	Stage 1	01	20	6	6	6	6
	REV	STAGE 2	Stage 2	01	21	7	7	7	7
	REV	PLATE	Plate	01	30	8	8	8	8
	REV	WHITE ROOM	White Room	01	40	9			
	REV	TUNNEL	Tunnel	01	41	10			
	REV	BASEMENT	Basement	01	42	11			
	REV	CANYON	Canyon	01	43	12			
	REV	R3 HALL	R3 Hall	01	02	13			
	REV	R3 ROOM	R3 Room	01	13	14			
	REV	R3 PLATE	R3 Plate	01	31	15			
	REV	LARGE HALL	Large Hall	01	08	16			
	REV	MIDIUM HALL	Medium Hall	01	09	17			
	REV	WARM ROOM	Warm Room	01	18	18			
	REV	WOODY ROOM	Woody Room	01	19	19			
	REV	RICH PLATE	Rich Plate	01	38	20			
DELAY									
	DLY	DELAY L, C, R	Delay L,C,R	02	00		9	9	9
	DLY	DELAY L, R	Delay L,R	02	10		10	10	10
	DLY	DELAY L, R (Stereo)	Delay L,R St	02	18		11	11	11
	DLY	ECHO	Echo	02	20		12	12	12
	DLY	CROSS DELAY	Cross Delay	02	30		13	13	13
	DLY	CONTROL DELAY (MONO)	Ctrl Delay 1	02	40			14	14
	DLY	CONTROL DELAY (STEREO)	Ctrl Delay 2	02	48			15	15
	DLY	TEMPO DELAY (MONO)	TempDelay 1	02	50		14	16	16
	DLY	TEMPO DELAY (STEREO)	TempDelay 2	02	58		15	17	17
	DLY	TEMPO CROSS DELAY	TempoCrosDly	02	60		16	18	18
EARLY REFLECTION									
	ER	EARLY REFLECTION 1	Early Ref 1	03	00		17	19	19
	ER	EARLY REFLECTION 2	Early Ref 2	03	01		18	20	20
	ER	GATE REVERB	Gate Reverb	03	10		19	21	21
	ER	REVERSE GATE	Reverse Gate	03	20		20	22	22
KARAOKE									
	KAR	KARAOKE 1	Karaoke 1	04	00		21	23	23
	KAR	KARAOKE 2	Karaoke 2	04	01		22	24	24
	KAR	KARAOKE 3	Karaoke 3	04	02		23	25	25
CHORUS									
	CHO	CHORUS 1	Chorus 1	05	00		24	26	26
	CHO	CHORUS 2	Chorus 2	05	01		25	27	27
	CHO	CHORUS 3	Chorus 3	05	02		26	28	28
	CHO	CHORUS 4	Chorus 4	05	08		27	29	29
	CHO	CHORUS 5	Chorus 5	05	09		28	30	30
	CHO	CELESTE 1	Celeste 1	05	10		29	31	31
	CHO	CELESTE 2	Celeste 2	05	11		30	32	32
	CHO	CELESTE 3	Celeste 3	05	12		31	33	33
	CHO	CELESTE 4	Celeste 4	05	18		32	34	34
	CHO	SYMPHONIC	Symphonic	05	20		33	35	35
	CHO	ENSEMBLE DETUNE	Ensemble	05	30		34	36	36
FLANGER									
	FLG	FLANGER 1	Flanger 1	06	00		35	37	37
	FLG	FLANGER 2	Flanger 2	06	01		36	38	38
	FLG	FLANGER 3	Flanger 3	06	08		37	39	39
	FLG	V-FLANGER	V-Flanger	06	10		38	40	40
	FLG	VINTAGE FLANGER 1	VntgFlanger1	06	20		39	41	41
	FLG	VINTAGE FLANGER 2	VntgFlanger2	06	21		40	42	42
	FLG	VINTAGE FLANGER 3	VntgFlanger3	06	22		41	43	43
	FLG	TEMPO FLANGER	TempoFlanger	06	50		42	44	44
	FLG	DYNAMIC FLANGER	DynamFlanger	06	60			45	45
PHASER									
	PHA	PHASER 1	Phaser 1	07	00		43	46	46
	PHA	PHASER 2	Phaser 2	07	08		44	47	47
	PHA	VINTAGE STEREO PHASER 1	VntgPhsr1 St	07	20		45	48	48
	PHA	VINTAGE STEREO PHASER 2	VntgPhsr2 St	07	21		46	49	49
	PHA	VINTAGE MONO PHASER 1	VntgPhsr1 Mn	07	30		47	50	50
	PHA	VINTAGE MONO PHASER 2	VntgPhsr2 Mn	07	31		48	51	51
	PHA	TEMPO PHASER	TempoPhaser	07	50		49	52	52
	PHA	DYNAMIC PHASER	DynamPhaser	07	60			53	53
MODULATION									
	MOD	TREMOLO	Tremolo	08	00			54	54
	MOD	AUTO PAN	Auto Pan	08	10			55	55
	MOD	AUTO PAN2	Auto Pan 2	08	11			56	56
	MOD	ROTARY SPEAKER	Rotary SP 1	08	50			57	57
	MOD	DISTORTION+ROTARY SPEAKER	Dist+RotSp1	08	51			58	58
	MOD	OVERDRIVE+ROTARY SPEAKER	Odrv+RotSp1	08	52			59	59
	MOD	AMP SIM.+ROTARY SPEAKER	Amp +RotSp1	08	53			60	60
	MOD	2WAY ROTARY SPEAKER	Rotary Sp 2	08	60			61	61
	MOD	DISTORTION+2WAY ROTARY SPEAKER	Dist+RotSp2	08	61			62	62
	MOD	OVERDRIVE+2WAY ROTARY SPEAKER	Odrv+RotSp2	08	62			63	63
	MOD	AMP SIM.+2WAY ROTARY SPEAKER	Amp +RotSp2	08	63			64	64
	MOD	DUAL ROTOR SPEAKER1	Dual RotSp 1	08	70			65	65
	MOD	DUAL ROTOR SPEAKER2	Dual RotSp 2	08	71			66	66
	MOD	DUAL ROTOR SPEAKER3	Dual RotSp 3	08	72			67	67

Effect Category	Effect Name		LCD	MIDI (HEX)		No.			
				MSB	LSB	REV	CHO	InsA	InsB
DISTORTION									
	DST	DISTORTION	Distortion	09	00			68	68
	DST	COMP DISTORTION	Comp + Dist	09	01			69	69
	DST	V-DISTORTION	V-Distortion	09	10			70	70
	DST	OVERDRIVE	Overdrive	09	20			71	71
	DST	AMP SIMULATOR	AmpSimulator	09	30			72	72
	DST	AMP SIMULATOR2	AmpSim 2	09	31			73	73
	DST	DISTORTION+DELAY	Dist + Delay	09	40			74	74
	DST	OVERDRIVE+DELAY	Odrv + Delay	09	41			75	75
DYNAMIC									
	DYN	COMPRESSOR	Compressor	0A	00			76	76
	DYN	NOISE GATE	Noise Gate	0A	20			77	77
	DYN	COMP+DISTORTION+DELAY	Cmp+Dist+Dly	0A	40			78	78
	DYN	COMP+OVERDRIVE+DELAY	Cmp+Odrv+Dly	0A	41			79	79
	DYN	MULTI BAND COMP 1	MltBndComp 1	0A	50			80	80
	DYN	MULTI BAND COMP 2	MltBndComp 2	0A	51			81	81
PITCH CHANGE									
	PCH	PITCH CHANGE 1	PitchChange1	0B	00			82	82
	PCH	PITCH CHANGE 2	PitchChange2	0B	01			83	83
WAH									
	WAH	AUTO WAH	Auto Wah	0C	00			84	84
	WAH	AUTO WAH+DISTORTION	A.Wah+Dist	0C	01			85	85
	WAH	AUTO WAH+OVERDRIVE	A.Wah+Odrv	0C	02			86	86
	WAH	VINTAGE AUTO WAH 1	Vntg A.Wah1	0C	20			87	87
	WAH	VINTAGE AUTO WAH 2	Vntg A.Wah2	0C	21			88	88
	WAH	TOUCH WAH	Touch Wah	0C	10			89	89
	WAH	TOUCH WAH+DISTORTION	T.Wah+Dist	0C	11			90	90
	WAH	TOUCH WAH+OVERDRIVE	T.Wah+Odrv	0C	12			91	91
	WAH	VINTAGE TOUCH WAH 1	Vntg T.Wah1	0C	30			92	92
	WAH	VINTAGE TOUCH WAH 2	Vntg T.Wah2	0C	31			93	93
	WAH	WAH+DISTORTION+DELAY	Wah+Dist+Dly	0C	40			94	94
	WAH	WAH+OVERDRIVE+DELAY	Wah+Odrv+Dly	0C	41			95	95
LO-FI									
	L-F	LO-FI	Lo-Fi	0D	00			96	96
	L-F	LOW RESOLUTION	LoResolution	0D	10			97	97
	L-F	NOISY	Noisy	0D	20			98	98
	L-F	ATTACK LOFI	Attack LoFi	0D	30			99	99
	L-F	DIGITAL TURNTABLE	D.Turntable	0D	50			100	100
TECH									
	TEC	DIGITAL SCRATCH	D.Scratch	0E	00			101	101
	TEC	AUTO SYNTH	Auto Synth	0E	10			102	102
	TEC	TECH MODULATION	Tech Mod	0E	20			103	103
	TEC	JUMP	Jump	0E	30			104	104
	TEC	ISOLATOR	Isolator	0E	40			105	105
	TEC	SLICE	Slice	0E	50			106	106
MISC									
	MSC	3-BAND EQ	3 Band EQ	0F	00			107	107
	MSC	2-BAND EQ	2 Band EQ	0F	01			108	108
	MSC	HARMONIC ENHANCER	Enhancer	0F	10			109	109
	MSC	VOICE CANCEL	Voice Cancel	0F	20			110	110
	MSC	AMBIENCE	Ambience	0F	30			111	111
	MSC	TALKING MODULATOR	Talking Mod	0F	40			112	112
	MSC	BEAT CHANGE	Beat Change	0F	50			113	113
	MSC	RING MODULATOR	Ring Mod	0F	70			114	114
	MSC	DYNAMIC RING MODULATOR	DynamRingMod	0F	71			115	115
	MSC	DYNAMIC FILTER	DynamFilter	0F	78			116	116

エフェクトパラメーターリスト

Reverb Block

HALL1 – PLATE, R3 HALL – R3 PLATE

No.	Parameter	Range	Value (内部値)	Table No.
01	Reverb Time	0.3s – 30.0s	(0 – 69)	4
02	Diffusion	0 – 10	(0 – 10)	
03	Initial Delay	0.1ms – 200.0ms	(0 – 127)	5
04	HPF Cutoff Frequency	20Hz – 8.0kHz	(0 – 52)	3
05	LPF Cutoff Frequency	1.0kHz – 20.0kHz	(34 – 60)	3
11	Reverb Delay	0.1ms – 200.0ms	(0 – 127)	5
12	Density	0 – 4	(0 – 4)	
13	ER / Rev Balance	E63>R – E=R – E<R63	(1 – 127)	
14	Feedback High Damp	0.1 – 1.0	(1 – 10)	
15	Feedback Level	-63 – +63	(1 – 127)	

WHITE ROOM – CANYON

No.	Parameter	Range	Value (内部値)	Table No.
01	Reverb Time	0.3s – 30.0s	(0 – 69)	4
02	Diffusion	0 – 10	(0 – 10)	
03	Initial Delay	0.1ms – 200.0ms	(0 – 127)	5
04	HPF Cutoff Frequency	20Hz – 8.0kHz	(0 – 52)	3
05	LPF Cutoff Frequency	1.0kHz – 20.0kHz	(34 – 60)	3
06	Width	0.5m – 30.2m	(0 – 104)	11
07	Height	0.5m – 30.2m	(0 – 104)	11
08	Depth	0.5m – 30.2m	(0 – 104)	11
09	Wall Vary	0 – 30	(0 – 30)	
11	Reverb Delay	0.1ms – 200.0ms	(0 – 127)	5
12	Density	0 – 4	(0 – 4)	
13	ER / Rev Balance	E63>R – E=R – E<R63	(1 – 127)	
14	Feedback High Damp	0.1 – 1.0	(1 – 10)	
15	Feedback Level	-63 – +63	(1 – 127)	

LARGE HALL – RICH PLATE

No.	Parameter	Range	Value (内部値)	Table No.
01	Reverb Time	0.3s – 18.0s/10.0s/26.0s	(0 – 69)	25/26/27
02	Diffusion	0 – 10	(0 – 10)	
03	Initial Delay	0.1ms – 200.0ms	(0 – 127)	5
04	HPF Cutoff Frequency	20Hz – 8.0kHz	(0 – 52)	3
05	LPF Cutoff Frequency	1.0kHz – 20.0kHz	(34 – 60)	3
06	Room Size	0 – 31	(0 – 31)	
07	High Ratio	0.1 – 1.0	(1 – 10)	
08	Low Ratio	0.1 – 1.4	(1 – 14)	
09	Decay	0 – 63	(0 – 63)	

Large Hall, Medium Hall: (Table No.25)
 Warm Room, Woody Room: (Table No.26)
 Rich Plate: (Table No.27)
 詳細は Table を参照

Chorus, Insertion A, B Block

THRU

HALL1 – PLATE

No.	Parameter	Range	Value (内部値)	Table No.
01	Reverb Time	0.3s – 30.0s	(0 – 69)	4
02	Diffusion	0 – 10	(0 – 10)	
03	Initial Delay	0.1ms – 99.3ms	(0 – 63)	5
04	HPF Cutoff Frequency	20Hz – 8.0kHz	(0 – 52)	3
05	LPF Cutoff Frequency	1.0kHz – 20.0kHz	(34 – 60)	3
10	Dry / Wet Balance	D63>W – D=W – D<W63	(1 – 127)	
11	Reverb Delay	0.1ms – 99.3ms	(0 – 63)	5
12	Density	0 – 4	(0 – 4)	
13	ER / Rev Balance	E63>R – E=R – E<R63	(1 – 127)	
14	Feedback High Damp	0.1 – 1.0	(1 – 10)	
15	Feedback Level	-63 – +63	(1 – 127)	

DELAY L, C, R

No.	Parameter	Range	Value (内部値)	Table No.
01	Delay Time L	0.1ms – 1638.3ms	(1 – 16383)	
02	Delay Time R	0.1ms – 1638.3ms	(1 – 16383)	
03	Delay Time C	0.1ms – 1638.3ms	(1 – 16383)	
04	Feedback Time	0.1ms – 1638.3ms	(1 – 16383)	
05	Feedback Level	-63 – +63	(1 – 127)	
06	Delay Level C	0 – 127	(0 – 127)	
07	Feedback High Damp	0.1 – 1.0	(1 – 10)	
10	Dry / Wet Balance	D63>W – D=W – D<W63	(1 – 127)	
13	EQ Low Frequency	32Hz – 2.0kHz	(4 – 40)	3
14	EQ Low Gain	-12dB – +12dB	(52 – 76)	
15	EQ High Frequency	500Hz – 16.0kHz	(28 – 58)	3
16	EQ High Gain	-12dB – +12dB	(52 – 76)	

DELAY L, R

No.	Parameter	Range	Value (内部値)	Table No.
01	Delay Time L	0.1ms – 1638.3ms	(1 – 16383)	
02	Delay Time R	0.1ms – 1638.3ms	(1 – 16383)	
03	Feedback Time 1	0.1ms – 1638.3ms	(1 – 16383)	
04	Feedback Time 2	0.1ms – 1638.3ms	(1 – 16383)	
05	Feedback Level	-63 – +63	(1 – 127)	
06	Feedback High Damp	0.1 – 1.0	(1 – 10)	
10	Dry / Wet Balance	D63>W – D=W – D<W63	(1 – 127)	

13 – 16 は※と同じ

DELAY L, R (Stereo)

No.	Parameter	Range	Value (内部値)	Table No.
01	Delay Time L	0.1ms – 1638.3ms	(1 – 16383)	
02	Delay Time R	0.1ms – 1638.3ms	(1 – 16383)	
03	Feedback Time L	0.1ms – 1638.3ms	(1 – 16383)	
04	Feedback Time R	0.1ms – 1638.3ms	(1 – 16383)	
05	Feedback Level	-63 – +63	(1 – 127)	
06	Feedback High Damp	0.1 – 1.0	(1 – 10)	
10	Dry / Wet Balance	D63>W – D=W – D<W63	(1 – 127)	

13 – 16 は※と同じ

ECHO

No.	Parameter	Range	Value (内部値)	Table No.
01	Delay Time L1	0.1ms – 1638.3ms	(1 – 16383)	
02	Feedback Level L	-63 – +63	(1 – 127)	
03	Delay Time R1	0.1ms – 1638.3ms	(1 – 16383)	
04	Feedback Level R	-63 – +63	(1 – 127)	
05	Feedback High Damp	0.1 – 1.0	(1 – 10)	
06	Delay Time L2	0.1ms – 1638.3ms	(1 – 16383)	
07	Delay Time R2	0.1ms – 1638.3ms	(1 – 16383)	
08	Delay Level 2	0 – 127	(0 – 127)	
10	Dry / Wet Balance	D63>W – D=W – D<W63	(1 – 127)	

13 – 16 は※と同じ

CROSS DELAY

No.	Parameter	Range	Value (内部値)	Table No.
01	Delay Time L>R	0.1ms – 1638.3ms	(1 – 16383)	
02	Delay Time R>L	0.1ms – 1638.3ms	(1 – 16383)	
03	Feedback Level	-63 – +63	(1 – 127)	
04	Input Select	L, R, L&R	(0 – 2)	
05	Feedback High Damp	0.1 – 1.0	(1 – 10)	
10	Dry / Wet Balance	D63>W – D=W – D<W63	(1 – 127)	

13 – 16 は※と同じ

CONTROL DELAY (MONO)

No.	Parameter	Range	Value (内部値)	Table No.
01	Delay Time	0.1ms – 1486.0ms	(1 – 14860)	
02	Delay Transition Rate	1 – 48	(1 – 48)	
03	Feedback Level	-63 – +63	(1 – 127)	
04	Feedback High Damp	0.1 – 1.0	(1 – 10)	
05	Delay Time Offset	0 – 127	(0 – 127)	

06 – 09 は※と同じ

10	Dry / Wet Balance	D63>W – D=W – D<W63	(1 – 127)	
11	Control Type	normal, scratch	(0 – 1)	

CONTROL DELAY (STEREO)

No.	Parameter	Range	Value (内部値)	Table No.
01	Delay Time	0.1ms - 1486.0ms	(1 - 14860)	
02	Delay transition rate	1 - 48	(1 - 48)	
03	Feedback Level	-63 - +63	(1 - 127)	
04	Feedback High Damp	0.1 - 1.0	(1 - 10)	
05	Delay Time Offset	0 - 127	(0 - 127)	
06 - 09 は※と同じ				
10	Dry / Wet Balance	D63>W - D=W - D<W63	(1 - 127)	
11	Control Type	normal, scratch	(0 - 1)	

TEMPO DELAY (MONO)

No.	Parameter	Range	Value (内部値)	Table No.
01	Delay Time	32th/3 - 4thx6	(0 - 19)	14
02	Feedback Level	-63 - +63	(1 - 127)	
03	Feedback High Dump	0.1 - 1.0	(1 - 10)	
04	L/R Diffusion	-63ms - +63ms	(1 - 127)	
05	Lag	-63ms - +63ms	(1 - 127)	
10	Dry/Wet	D63>W - D=W - D<W63	(1 - 127)	
13	EQ Low Frequency	32Hz - 2.0kHz	(4 - 40)	3
14	EQ Low Gain	-12dB - +12dB	(52 - 76)	
15	EQ High Frequency	500Hz - 16.0kHz	(28 - 58)	3
16	EQ High Gain	-12dB - +12dB	(52 - 76)	

TEMPO DELAY (STEREO)

No.	Parameter	Range	Value (内部値)	Table No.
01	Delay Time	32th/3 - 4thx6	(0 - 19)	14
02	Feedback Level	-63 - +63	(1 - 127)	
03	Feedback High Dump	0.1 - 1.0	(1 - 10)	
04	L/R Diffusion	-63ms - +63ms	(1 - 127)	
05	Lag	-63ms - +63ms	(1 - 127)	
10	Dry/Wet	D63>W - D=W - D<W63	(1 - 127)	
13	EQ Low Frequency	32Hz - 2.0kHz	(4 - 40)	3
14	EQ Low Gain	-12dB - +12dB	(52 - 76)	
15	EQ High Frequency	500Hz - 16.0kHz	(28 - 58)	3
16	EQ High Gain	-12dB - +12dB	(52 - 76)	

TEMPO CROSS DELAY

No.	Parameter	Range	Value (内部値)	Table No.
01	Delay Time L>R	32th/3 - 4thx6	(0 - 19)	14
02	Delay Time R>L	32th/3 - 4thx6	(0 - 19)	14
03	Feedback Level	-63 - +63	(1 - 127)	
04	Input Select	L, R, L&R	(0 - 2)	
05	Feedback High Dump	0.1 - 1.0	(1 - 10)	
06	Lag	-63ms - +63ms	(1 - 127)	
10	Dry/Wet	D63>W - D=W - D<W63	(1 - 127)	
13	EQ Low Frequency	32Hz - 2.0kHz	(4 - 40)	3
14	EQ Low Gain	-12dB - +12dB	(52 - 76)	
15	EQ High Frequency	500Hz - 16.0kHz	(28 - 58)	3
16	EQ High Gain	-12dB - +12dB	(52 - 76)	

EARLY REFLECTION1 - 2

No.	Parameter	Range	Value (内部値)	Table No.
01	Type	S-hall, L-hall, random, reverse, plate, spring	(0 - 5)	
02	Room Size	0.1 - 20.0	(0 - 127)	6
03	Diffusion	0 - 10	(0 - 10)	
04	Initial Delay	0.1ms - 200.0ms	(0 - 127)	5
05	Feedback Level	-63 - +63	(1 - 127)	
06	HPF Cutoff Frequency	20Hz - 8.0kHz	(0 - 52)	3
07	LPF Cutoff Frequency	1.0kHz - 20.0kHz	(34 - 60)	3
10	Dry / Wet Balance	D63>W - D=W - D<W63	(1 - 127)	
11	Liveness	0 - 10	(0 - 10)	
12	Density	0 - 3	(0 - 3)	
13	Feedback High Damp	0.1 - 1.0	(1 - 10)	

GATE REVERB
REVERSE GATE

No.	Parameter	Range	Value (内部値)	Table No.
01	Type	type-A, type-B	(0 - 1)	
02 - 13 は EARLY REFLECTION1 と同じ				

KARAOKE1 - 3

No.	Parameter	Range	Value (内部値)	Table No.
01	Delay Time	0.1ms - 400.0ms	(0 - 127)	7
02	Feedback Level	-63 - +63	(1 - 127)	
03	HPF Cutoff Frequency	20Hz - 8.0kHz	(0 - 52)	3
04	LPF Cutoff Frequency	1.0kHz - 20.0kHz	(34 - 60)	3
10	Dry / Wet Balance	D63>W - D=W - D<W63	(1 - 127)	
11	Density	0 - 3	(0 - 3)	

CHORUS1 - 5
CELESTE1 - 4

No.	Parameter	Range	Value (内部値)	Table No.
01	LFO Speed	0.0Hz - 39.70Hz	(0 - 127)	1
02	LFO Depth	0 - 127	(0 - 127)	
03	Feedback Level	-63 - +63	(1 - 127)	
04	Delay Offset	0.0ms - 50.0ms	(0 - 127)	2
06 - 09 は※と同じ				
10	Dry / Wet Balance	D63>W - D=W - D<W63	(1 - 127)	
11	EQ Mid Frequency	100Hz - 10.0kHz	(14 - 54)	3
12	EQ Mid Gain	-12dB - +12dB	(52 - 76)	
13	EQ Mid Width	0.1 - 12.0	(1 - 120)	
15	Input Mode	mono/stereo	(0 - 1)	

SYMPHONIC

No.	Parameter	Range	Value (内部値)	Table No.
01	LFO Speed	0.0Hz - 39.70Hz	(0 - 127)	1
02	LFO Depth	0 - 127	(0 - 127)	
03	Delay Offset	0.0ms - 50.0ms	(0 - 127)	2
06 - 09 は※と同じ				
10	Dry / Wet Balance	D63>W - D=W - D<W63	(1 - 127)	
11	EQ Mid Frequency	100Hz - 10.0kHz	(14 - 54)	3
12	EQ Mid Gain	-12dB - +12dB	(52 - 76)	
13	EQ Mid Width	0.1 - 12.0	(1 - 120)	

ENSEMBLE DETUNE

No.	Parameter	Range	Value (内部値)	Table No.
01	Detune	-50cent - +50cent	(14 - 114)	
02	Initial Delay Lch	0.0ms - 50.0ms	(0 - 127)	2
03	Initial Delay Rch	0.0ms - 50.0ms	(0 - 127)	2
10	Dry / Wet Balance	D63>W - D=W - D<W63	(1 - 127)	
11 - 14 は※と同じ				

FLANGER1 - 3

No.	Parameter	Range	Value (内部値)	Table No.
01	LFO Speed	0.0Hz - 39.70Hz	(0 - 127)	1
02	LFO Depth	0 - 127	(0 - 127)	
03	Feedback Level	-63 - +63	(1 - 127)	
04	Delay Offset	0.0ms - 50.0ms	(0 - 127)	2
06 - 09 は※と同じ				
10	Dry / Wet Balance	D63>W - D=W - D<W63	(1 - 127)	
11	EQ Mid Frequency	100Hz - 10.0kHz	(14 - 54)	3
12	EQ Mid Gain	-12dB - +12dB	(52 - 76)	
13	EQ Mid Width	0.1 - 12.0	(1 - 120)	
14	LFO Phase Difference	-180deg - +180deg	(4 - 124)	

V-FLANGER

No.	Parameter	Range	Value (内部値)	Table No.
01	LFO Speed	0.0Hz - 39.70Hz	(0 - 127)	1
02	LFO Depth	0 - 127	(0 - 127)	
03	LFO Wave	Triangle, Sine, Random	(0 - 2)	
04	Delay Offset	0.09 - 36.21ms	(0 - 139)	20
05	Feedback Level	-100 - +100%	(0 - 200)	
06 - 09 は※と同じ				
10	Dry / Wet Balance	D63>W - D=W - D<W63	(1 - 127)	
11	EQ Mid Frequency	100Hz - 10.0kHz	(14 - 54)	3
12	EQ Mid Gain	-12dB - +12dB	(52 - 76)	
13	EQ Mid Width	0.1 - 12.0	(1 - 120)	
14	Modulation Phase	-180 - +180	(0 - 16)	21
15	Feedback High Damp	0.1 - 1.0	(1 - 10)	
16	Analog Feel	0 - 10	(0 - 10)	

VINTAGE FLANGER 1 - 3

No.	Parameter	Range	Value (内部値)	Table No.
01	Speed	0.040Hz - 10.00Hz	(0 - 235)	22
02	Manual	0 - 127	(0 - 127)	
03	Depth	0 - 127	(0 - 127)	
04	Feedback	0 - 127	(0 - 127)	
05	Type	1 - 3	(0 - 2)	
06	Spread	0 - 127	(0 - 127)	3
07	Mix	0 - 127	(0 - 127)	
13	EQ Low Frequency	32Hz - 2.0kHz	(4 - 40)	
14	EQ Low Gain	-12dB - +12dB	(52 - 76)	
15	EQ High Frequency	500Hz - 16.0kHz	(28 - 58)	
16	EQ High Gain	-12dB - +12dB	(52 - 76)	

TEMPO FLANGER

No.	Parameter	Range	Value (内部値)	Table No.
01	LFO Speed	16th - 4thx8	(5 - 21)	14
02	LFO Depth	0 - 127	(0 - 127)	
03	Feedback Level	-63 - +63	(1 - 127)	2
04	Delay Offset	0.0ms - 50.0ms	(0 - 127)	
05	LFO Phase Reset	off (free run), KeyOnReset, SEQ Start Reset	(0 - 2)	
06	EQ Low Frequency	32Hz - 2.0kHz	(4 - 40)	3
07	EQ Low Gain	-12dB - +12dB	(52 - 76)	
08	EQ High Frequency	500Hz - 16.0kHz	(28 - 58)	3
09	EQ High Gain	-12dB - +12dB	(52 - 76)	
10	Dry / Wet Balance	D63>W - D=W - D<W63	(1 - 127)	3
11	EQ Mid Frequency	100Hz - 10.0kHz	(14 - 54)	
12	EQ Mid Gain	-12dB - +12dB	(52 - 76)	
13	EQ Mid Width	0.1 - 12.0	(1 - 120)	
14	LFO Phase Difference	-180deg - +180deg	(4 - 124)	

DYNAMIC FLANGER

No.	Parameter	Range	Value (内部値)	Table No.
01	Sensitivity	0 - 127	(0 - 127)	17
02	Delay Time Offset	0 - 127	(0 - 127)	
03	Feedback Level	-63 - +63	(1 - 127)	
04	Attack Time	0.3ms - 227ms	(0 - 127)	
05	Release Time	2.6ms - 2171ms	(0 - 127)	
06	Release Curve	0 - 127	(0 - 127)	18
07	Direction	up, down	(0 - 1)	
08	Dyna Threshold Level	0 - 127	(0 - 127)	3
09	Dyna Level Offset	0 - 127	(0 - 127)	
10	Dry / Wet Balance	D63>W - D=W - D<W63	(1 - 127)	
13	EQ Low Frequency	32Hz - 2.0kHz	(4 - 40)	
14	EQ Low Gain	-12dB - +12dB	(52 - 76)	
15	EQ High Frequency	500Hz - 16.0kHz	(28 - 58)	
16	EQ High Gain	-12dB - +12dB	(52 - 76)	

PHASER1

No.	Parameter	Range	Value (内部値)	Table No.
01	LFO Speed	0.0Hz - 39.70Hz	(0 - 127)	1
02	LFO Depth	0 - 127	(0 - 127)	
03	Phase Shift Offset	0 - 127	(0 - 127)	
04	Feedback Level	-63 - +63	(1 - 127)	
06 - 09 は※と同じ				
10	Dry / Wet Balance	D63>W - D=W - D<W63	(1 - 127)	3
11	Stage	4 - 22	(4 - 22)	
12	Diffusion	mono/stereo	(0 - 1)	

PHASER2

No.	Parameter	Range	Value (内部値)	Table No.
01	LFO Speed	0.0Hz - 39.70Hz	(0 - 127)	1
02	LFO Depth	0 - 127	(0 - 127)	
03	Phase Shift Offset	0 - 127	(0 - 127)	
04	Feedback Level	-63 - +63	(1 - 127)	
06 - 09 は※と同じ				
10	Dry / Wet Balance	D63>W - D=W - D<W63	(1 - 127)	3
11	Stage	3 - 11	(3 - 11)	
13	LFO Phase Difference	-180deg - +180deg	(4 - 124)	

VINTAGE STEREO PHASER 1 - 2

No.	Parameter	Range	Value (内部値)	Table No.
01	Speed	0.100Hz - 10.00Hz	(0 - 252)	23
02	Manual	0 - 127	(0 - 127)	
03	Depth	0 - 127	(0 - 127)	
04	Feedback	0 - 127	(0 - 127)	
05	Stage	4, 6, 8, 10	(0 - 3)	
06	Mode	1, 2	(0 - 1)	
07	Color	0 - 127	(0 - 127)	
08	Spread	0 - 127	(0 - 127)	

以下の設定のときは Colorは動作しない

Mode=1 で Stage=4, 6, 8 のとき、および Mode=2 で Stage=4, 10 のとき

VINTAGE MONO PHASER 1 - 2

No.	Parameter	Range	Value (内部値)	Table No.
01	Speed	0.100Hz - 10.00Hz	(0 - 252)	23
02	Manual	0 - 127	(0 - 127)	
03	Depth	0 - 127	(0 - 127)	14
04	Feedback	0 - 127	(0 - 127)	
05	Stage	4, 6, 8, 10, 12, 16	(0 - 5)	
06	Mode	1, 2	(0 - 1)	3
07	Color	0 - 127	(0 - 127)	
13	EQ Low Frequency	32Hz - 2.0kHz	(4 - 40)	3
14	EQ Low Gain	-12dB - +12dB	(52 - 76)	
15	EQ High Frequency	500Hz - 16.0kHz	(28 - 58)	3
16	EQ High Gain	-12dB - +12dB	(52 - 76)	

以下の設定のときは Colorは動作しない

Mode=1 で Stage=4, 6, 8, 12, 16 のとき、および Mode=2 で Stage=4, 10 のとき

TEMPO PHASER

No.	Parameter	Range	Value (内部値)	Table No.
01	LFO Speed	16th - 4thx8	(5 - 21)	14
02	LFO Depth	0 - 127	(0 - 127)	
03	Phase Shift Offset	0 - 127	(0 - 127)	
04	Feedback Level	-63 - +63	(1 - 127)	
05	LFO Phase Reset	off (free run), KeyOnReset, SEQ Start Reset	(0 - 2)	
06	EQ Low Frequency	32Hz - 2.0kHz	(4 - 40)	3
07	EQ Low Gain	-12dB - +12dB	(52 - 76)	
08	EQ High Frequency	500Hz - 16.0kHz	(28 - 58)	3
09	EQ High Gain	-12dB - +12dB	(52 - 76)	
10	Dry / Wet Balance	D63>W - D=W - D<W63	(1 - 127)	3
11	Stage	3 - 11	(3 - 11)	
13	LFO Phase Difference	-180deg - +180deg	(4 - 124)	

DYNAMIC PHASER

No.	Parameter	Range	Value (内部値)	Table No.
01	Sensitivity	0 - 127	(0 - 127)	17
02	Dyna Level Offset	0 - 127	(0 - 127)	
03	Feedback Level	-63 - +63	(1 - 127)	
04	Attack Time	0.3ms - 227ms	(0 - 127)	
05	Release Time	2.6ms - 2171ms	(0 - 127)	
06	Release Curve	0 - 127	(0 - 127)	18
07	Direction	up, down	(0 - 1)	
08	Dyna Threshold Level	0 - 127	(0 - 127)	3
09	Dyna Level Offset	0 - 127	(0 - 127)	
10	Dry / Wet Balance	D63>W - D=W - D<W63	(1 - 127)	
11	Stage	4, 5, 6	(4 - 6)	
13	EQ Low Frequency	32Hz - 2.0kHz	(4 - 40)	
14	EQ Low Gain	-12dB - +12dB	(52 - 76)	
15	EQ High Frequency	500Hz - 16.0kHz	(28 - 58)	
16	EQ High Gain	-12dB - +12dB	(52 - 76)	

TREMOLO

No.	Parameter	Range	Value (内部値)	Table No.
01	LFO Speed	0.0Hz - 39.70Hz	(0 - 127)	1
02	AM Depth	0 - 127	(0 - 127)	
03	PM Depth	0 - 127	(0 - 127)	
06 - 09 は※と同じ				
11	EQ Mid Frequency	100Hz - 10.0kHz	(14 - 54)	3
12	EQ Mid Gain	-12dB - +12dB	(52 - 76)	
13	EQ Mid Width	0.1 - 12.0	(1 - 120)	
14	LFO Phase Difference	-180deg - +180deg	(4 - 124)	
15	Input Mode	mono/stereo	(0 - 1)	

AUTO PAN

No.	Parameter	Range	Value (内部値)	Table No.
01	LFO Speed	0.0Hz - 39.70Hz	(0 - 127)	1
02	L/R Depth	0 - 127	(0 - 127)	
03	F/R Depth	0 - 127	(0 - 127)	
04	PAN Direction	L<>R, L>>R, L<<R, Lturn, Rturn, L/R	(0 - 5)	
06 - 09	は※と同じ			
11	EQ Mid Frequency	100Hz - 10.0kHz	(14 - 54)	3
12	EQ Mid Gain	-12dB - +12dB	(52 - 76)	
13	EQ Mid Width	0.1 - 12.0	(1 - 120)	

AUTO PAN2

No.	Parameter	Range	Value (内部値)	Table No.
01	LFO Speed	0.0Hz - 39.70Hz	(0 - 127)	1
02	L/R Depth	0 - 127	(0 - 127)	
03	F/R Depth	0 - 127	(0 - 127)	
04	PAN direction	L<>R, L>>R, L<<R, Lturn, Rturn, L/R	(0 - 5)	
02	LFO Wave	0 - 28	(0 - 28)	3
06	EQ Low Frequency	32Hz - 2.0kHz	(4 - 40)	
07	EQ Low Gain	-12dB - +12dB	(52 - 76)	
08	EQ High Frequency	500Hz - 16.0kHz	(28 - 58)	3
09	EQ High Gain	-12dB - +12dB	(52 - 76)	
11	EQ Mid Frequency	100Hz - 10.0kHz	(14 - 54)	3
12	EQ Mid Gain	-12dB - +12dB	(52 - 76)	
13	EQ Mid Width	0.1 - 12.0	(1 - 120)	
15	Input Mode	Mono/Stereo	(0 - 1)	

ROTARY SPEAKER

No.	Parameter	Range	Value (内部値)	Table No.
01	LFO Speed	0.0Hz - 39.70Hz	(0 - 127)	1
02	LFO Depth	0 - 127	(0 - 127)	
06 - 09	は※と同じ			
10	Dry / Wet Balance	D63>W - D=W - D<W63	(1 - 127)	3
11	EQ Mid Frequency	100Hz - 10.0kHz	(14 - 54)	
12	EQ Mid Gain	-12dB - +12dB	(52 - 76)	
13	EQ Mid Width	0.1 - 12.0	(1 - 120)	

DISTORTION+ROTARY SPEAKER
OVERDRIVE+ROTARY SPEAKER

No.	Parameter	Range	Value (内部値)	Table No.
01	LFO Speed	0.0Hz - 39.70Hz	(0 - 127)	1
02	LFO Depth	0 - 127	(0 - 127)	
06	EQ Low Frequency	32Hz - 2.0kHz	(4 - 40)	3
07	EQ Low Gain	-12dB - +12dB	(52 - 76)	
08	EQ High Frequency	500Hz - 16.0kHz	(28 - 58)	3
09	EQ High Gain	-12dB - +12dB	(52 - 76)	
14	Dist. Drive	0 - 127	(0 - 127)	3
15	Dist. LPF Cutoff Freq	1.0kHz - 20.0kHz	(34 - 60)	
16	Dist. Output Level	0 - 127	(0 - 127)	

AMP SIMULATOR+ROTARY SPEAKER

No.	Parameter	Range	Value (内部値)	Table No.
01	LFO Speed	0.0Hz - 39.70Hz	(0 - 127)	1
02	LFO Depth	0 - 127	(0 - 127)	
03	AMP Type	off, stack, combo, tube	(0 - 3)	3
06	EQ Low Frequency	32Hz - 2.0kHz	(4 - 40)	
07	EQ Low Gain	-12dB - +12dB	(52 - 76)	
08	EQ High Frequency	500Hz - 16.0kHz	(28 - 58)	3
09	EQ High Gain	-12dB - +12dB	(52 - 76)	
14	AMP Drive	0 - 127	(0 - 127)	3
15	AMP LPF Cutoff Freq	1.0kHz - 20.0kHz	(34 - 60)	
16	AMP Output Level	0 - 127	(0 - 127)	

2WAY ROTARY SPEAKER

No.	Parameter	Range	Value (内部値)	Table No.
01	Rotor Speed	0.0Hz - 39.70Hz	(0 - 127)	1
02	Drive Low	0 - 127	(0 - 127)	
03	Drive High	0 - 127	(0 - 127)	
04	Low / High Balance	L63>H - L=H - L<H63	(1 - 127)	
06 - 09	は※と同じ			
11	Divide Frequency	100Hz - 10.0kHz	(14 - 54)	3
12	Mic L-R Angle	0deg - 180deg	(0 - 60)	

DISTORTION+2WAY ROTARY SPEAKER
OVERDRIVE+2WAY ROTARY SPEAKER

No.	Parameter	Range	Value (内部値)	Table No.
01	Rotor Speed	0.0Hz - 39.70Hz	(0 - 127)	1
02	Drive Low	0 - 127	(0 - 127)	
03	Drive High	0 - 127	(0 - 127)	
04	Low/High Balance	L63>H - L=H - L<H63	(1 - 127)	
06	EQ Low Frequency	32Hz - 2.0kHz	(4 - 40)	3
07	EQ Low Gain	-12dB - +12dB	(52 - 76)	
08	EQ High Frequency	500Hz - 16.0kHz	(28 - 58)	3
09	EQ High Gain	-12dB - +12dB	(52 - 76)	
11	Divide Frequency	100Hz - 10.0kHz	(14 - 54)	3
12	Mic L-R Angle	0deg - 180deg	(0 - 60)	
14	Dist. Drive	0 - 127	(0 - 127)	3
15	Dist. LPF Cutoff Freq	1.0kHz - 20.0kHz	(34 - 60)	
16	Dist. Output Level	0 - 127	(0 - 127)	

AMP SIM.+2WAY ROTARY SPEAKER

No.	Parameter	Range	Value (内部値)	Table No.
01	Rotor Speed	0.0Hz - 39.70Hz	(0 - 127)	1
02	Drive Low	0 - 127	(0 - 127)	
03	Drive High	0 - 127	(0 - 127)	
04	Low/High Balance	L63>H - L=H - L<H63	(1 - 127)	
06	EQ Low Frequency	32Hz - 2.0kHz	(4 - 40)	3
07	EQ Low Gain	-12dB - +12dB	(52 - 76)	
08	EQ High Frequency	500Hz - 16.0kHz	(28 - 58)	3
09	EQ High Gain	-12dB - +12dB	(52 - 76)	
11	Divide Frequency	100Hz - 10.0kHz	(14 - 54)	3
12	Mic L-R Angle	0deg - 180deg	(0 - 60)	
13	AMP Type	off, stack, combo, tube	(0 - 3)	3
14	AMP Drive	0 - 127	(0 - 127)	
15	AMP LPF Cutoff Freq	1.0kHz - 20.0kHz	(34 - 60)	
16	AMP Output Level	0 - 127	(0 - 127)	

DUAL ROTOR SPEAKER 1

No.	Parameter	Range	Value (内部値)	Table No.
01	Rotor Speed Slow	0.0Hz - 2.65Hz	(0 - 63)	1
02	Horn Speed Slow	0.0Hz - 2.65Hz	(0 - 63)	
03	Rotor Speed Fast	2.69Hz - 39.70Hz	(64 - 127)	1
04	Horn Speed Fast	2.69Hz - 39.70Hz	(64 - 127)	
05	Slow-Fast Time of R	0 - 127	(0 - 127)	3
06	Slow-Fast Time of H	0 - 127	(0 - 127)	
07	Drive Low	0 - 127	(0 - 127)	3
08	Drive High	0 - 127	(0 - 127)	
09	Low/High Balance	L63>H - L=H - L<H63	(1 - 127)	3
11	EQ Low Frequency	32Hz - 2.0kHz	(4 - 40)	
12	EQ Low Gain	-12dB - +12dB	(52 - 76)	3
13	EQ High Frequency	500Hz - 16.0kHz	(28 - 58)	
14	EQ High Gain	-12dB - +12dB	(52 - 76)	3
15	Mic L-R Angle	0deg - 180deg	(0 - 60)	
16	Speed Control	slow, fast	(0 - 1)	

DUAL ROTOR SPEAKER 2

No.	Parameter	Range	Value (内部値)	Table No.
01	Rotor Speed Slow	0.0Hz - 2.65Hz	(0 - 63)	1
02	Horn Speed Slow	0.0Hz - 2.65Hz	(0 - 63)	
03	Rotor Speed Fast	2.69Hz - 39.70Hz	(64 - 127)	1
04	Horn Speed Fast	2.69Hz - 39.70Hz	(64 - 127)	
05	Slow-Fast Time of R	0 - 127	(0 - 127)	3
06	Slow-Fast Time of H	0 - 127	(0 - 127)	
07	Drive Low	0 - 127	(0 - 127)	3
08	Drive High	0 - 127	(0 - 127)	
09	Low/High Balance	L63>H - L=H - L<H63	(1 - 127)	3
11	EQ Low Frequency	32Hz - 2.0kHz	(4 - 40)	
12	EQ Low Gain	-12dB - +12dB	(52 - 76)	3
13	EQ High Frequency	500Hz - 16.0kHz	(28 - 58)	
14	EQ High Gain	-12dB - +12dB	(52 - 76)	3
15	Mic L-R Angle	0deg - 180deg	(0 - 60)	
16	Speed Control	slow, fast	(0 - 1)	

DUAL ROTOR SPEAKER 3

No.	Parameter	Range	Value (内部値)	Table No.
01	Rotor Speed Slow	0.0Hz - 2.65Hz	(0 - 63)	1
02	Horn Speed Slow	0.0Hz - 2.65Hz	(0 - 63)	1
03	Rotor Speed Fast	2.69Hz - 39.70Hz	(64 - 127)	1
04	Horn Speed Fast	2.69Hz - 39.70Hz	(64 - 127)	1
05	Slow-Fast Time of R	0 - 127	(0 - 127)	
06	Slow-Fast Time of H	0 - 127	(0 - 127)	
07	Drive Low	0 - 127	(0 - 127)	
08	Drive High	0 - 127	(0 - 127)	
09	Low/High Balance	L63>H - L=H - L<H63	(1 - 127)	
11	EQ Low Frequency	32Hz - 2.0kHz	(4 - 40)	3
12	EQ Low Gain	-12dB - +12dB	(52 - 76)	
13	EQ High Frequency	500Hz - 16.0kHz	(28 - 58)	3
14	EQ High Gain	-12dB - +12dB	(52 - 76)	
15	Mic L-R Angle	0deg - 180deg	(0 - 60)	
16	Speed Control	slow, fast	(0 - 1)	

DISTORTION OVERDRIVE

No.	Parameter	Range	Value (内部値)	Table No.
01	Drive	0 - 127	(0 - 127)	
02	EQ Low Frequency	32Hz - 2.0kHz	(4 - 40)	3
03	EQ Low Gain	-12dB - +12dB	(52 - 76)	
04	LPF Cutoff Frequency	1.0kHz - 20.0kHz	(34 - 60)	3
05	Output Level	0 - 127	(0 - 127)	
07	EQ Mid Frequency	100Hz - 10.0kHz	(14 - 54)	3
08	EQ Mid Gain	-12dB - +12dB	(52 - 76)	
09	EQ Mid Width	0.1 - 12.0	(1 - 120)	
10	Dry / Wet Balance	D63>W - D=W - D<W63	(1 - 127)	
11	Edge	0 - 127	(0 - 127)	

COMP DISTORTION

No.	Parameter	Range	Value (内部値)	Table No.
01	Drive	0 - 127	(0 - 127)	
02	EQ Low Frequency	32Hz - 2.0kHz	(4 - 40)	3
03	EQ Low Gain	-12dB - +12dB	(52 - 76)	
04	LPF Cutoff Frequency	1.0kHz - 20.0kHz	(34 - 60)	3
05	Output Level	0 - 127	(0 - 127)	
07	EQ Mid Frequency	100Hz - 10.0kHz	(14 - 54)	3
08	EQ Mid Gain	-12dB - +12dB	(52 - 76)	
09	EQ Mid Width	0.1 - 12.0	(1 - 120)	
10	Dry / Wet Balance	D63>W - D=W - D<W63	(1 - 127)	
11	Edge	0 - 127	(0 - 127)	
12	Attack	1ms - 40ms	(0 - 19)	8
13	Release	10ms - 680ms	(0 - 15)	9
14	Threshold	-48dB - -6dB	(79 - 121)	
15	Ratio	1 - 20.0	(0 - 7)	10

V-DISTORTION

No.	Parameter	Range	Value (内部値)	Table No.
01	Over Drive	0 - 100%	(0 - 100)	
02	Device	Transistor, Vintage Tube, Ddistortion1, Ddistortion2, Fuzz	(0 - 4)	
03	Speaker Type	Flat, Stack, Combo, Twin, Radio, Megaphone	(0 - 5)	
04	Presence	-10 - 10	(0 - 20)	
05	Output Level	0 - 100%	(0 - 100)	
06	Delay Time L	0.1ms - 1638.3ms	(1 - 16383)	
07	Delay Time R	0.1ms - 1638.3ms	(1 - 16383)	
08	Feedback Time	0.1ms - 1638.3ms	(1 - 16383)	
09	Feedback Level	-63 - +63	(1 - 127)	
10	Dry/Wet Balance	D63>W - D=W - D<W63	(1 - 127)	
11	Delay Mix	0 - 127	(0 - 127)	
12	Feedback High Damp	0.1 - 1.0	(1 - 10)	

AMP SIMULATOR

No.	Parameter	Range	Value (内部値)	Table No.
01	Drive	0 - 127	(0 - 127)	
02	AMP Type	off, stack, combo, tube	(0 - 3)	
03	LPF Cutoff Frequency	1.0kHz - 20.0kHz	(34 - 60)	3
04	Output Level	0 - 127	(0 - 127)	
10	Dry / Wet Balance	D63>W - D=W - D<W63	(1 - 127)	
11	Edge	0 - 127	(0 - 127)	

AMP SIMULATOR2

No.	Parameter	Range	Value (内部値)	Table No.
01	Drive	0 - 127	(0 - 127)	
02	AMP type	off, stack, combo, tube, crunch, hi Gain, british	(0 - 6)	
03	LPF Cutoff Frequency	1.0kHz - 20.0kHz	(34 - 60)	3
04	Output Level	0 - 127	(0 - 127)	
10	Dry / Wet Balance	D63>W - D=W - D<W63	(1 - 127)	

DIST+DELAY OVERDRIVE+DELAY

No.	Parameter	Range	Value (内部値)	Table No.
01	Delay Time L	0.1ms - 1638.3ms	(1 - 16383)	
02	Delay Time R	0.1ms - 1638.3ms	(1 - 16383)	
03	Delay Feedback Time	0.1ms - 1638.3ms	(1 - 16383)	
04	Delay Feedback Level	-63 - +63	(1 - 127)	
05	Delay mix	0 - 127	(0 - 127)	
06	Dist. Drive	0 - 127	(0 - 127)	
07	Dist Output Level	0 - 127	(0 - 127)	
08	Dist. EQ Low Gain	-12dB - +12dB	(52 - 76)	
09	Dist. EQ Mid Gain	-12dB - +12dB	(52 - 76)	
10	Dry / Wet Balance	D63>W - D=W - D<W63	(1 - 127)	

COMPRESSOR

No.	Parameter	Range	Value (内部値)	Table No.
01	Attack	1ms - 40ms	(0 - 19)	8
02	Release	10ms - 680ms	(0 - 15)	9
03	Threshold	-48dB - -6dB	(79 - 121)	
04	Ratio	1 - 20.0	(0 - 7)	10
05	Output Level	0 - 127	(0 - 127)	

NOISE GATE

No.	Parameter	Range	Value (内部値)	Table No.
01	Attack	1ms - 40ms	(0 - 19)	8
02	Release	10ms - 680ms	(0 - 15)	9
03	Threshold	-72dB - -30dB	(55 - 97)	
04	Output Level	0 - 127	(0 - 127)	

COMP+DIST+DELAY COMP+ODRV+DELAY

No.	Parameter	Range	Value (内部値)	Table No.
01	Delay Time	0.1ms - 1638.3ms	(1 - 16383)	
02	Delay Feedback Level	-63 - +63	(1 - 127)	
03	Delay Mix	0 - 127	(0 - 127)	
04	Dist. Drive	0 - 127	(0 - 127)	
05	Dist Output Level	0 - 127	(0 - 127)	
06	Dist. EQ Low Gain	-12dB - +12dB	(52 - 76)	
07	Dist. EQ Mid Gain	-12dB - +12dB	(52 - 76)	
10	Dry / Wet Balance	D63>W - D=W - D<W63	(1 - 127)	
11	Comp. Attack	1ms - 40ms	(0 - 19)	8
12	Comp. Release	10ms - 680ms	(0 - 15)	9
13	Comp. Threshold	-48dB - -6dB	(79 - 121)	
14	Comp. Ratio	1 - 20.0	(0 - 7)	10

MULTI BAND COMP 1

No.	Parameter	Range	Value (内部値)	Table No.
1	Type	Normal, Low, Mid, High, Low/High, Low/Mid, Mid/High, Full Bit, Wild, Attack, Low End, Hard, Basic	(0 - 12)	
2	Threshold Offset	-32 - +32	(32 - 96)	
3	Low Gain Offset	-63 - +63	(1 - 127)	
4	Mid Gain Offset	-63 - +63	(1 - 127)	
5	High Gain Offset	-63 - +63	(1 - 127)	

MULTI BAND COMP 2

No.	Parameter	Range	Value (内部値)	Table No.
1	Low Attack	1ms – 200ms	(0 – 29)	8
2	Low Release	10ms – 3000ms	(0 – 23)	9
3	Low Threshold	-54dB – -6dB	(73 – 121)	
4	Low Ratio	1 – 20.0	(0 – 7)	10
5	Low Gain	-∞ – +18dB	(0 – 55)	15
6	Mid Attack	1ms – 200ms	(0 – 29)	8
7	Mid Release	10ms – 3000ms	(0 – 23)	9
8	Mid Threshold	-54dB – -6dB	(73 – 121)	
9	Mid Ratio	1 – 20.0	(0 – 7)	10
10	Mid Gain	-∞ – +18dB	(0 – 55)	15
11	High Attack	1ms – 200ms	(0 – 29)	8
12	High Release	10ms – 3000ms	(0 – 23)	9
13	High Threshold	-54dB – -6dB	(73 – 121)	
14	High Ratio	1 – 20.0	(0 – 7)	10
15	High Gain	-∞ – +18dB	(0 – 55)	15
16	Divide Freq	0 – 89	(0 – 89)	16

PITCH CHANGE1
PITCH CHANGE2

No.	Parameter	Range	Value (内部値)	Table No.
01	Pitch	-24 – +24	(40 – 88)	
02	Initial Delay	0.1ms – 400.0ms	(0 – 127)	7
03	Fine1	-50 – +50	(14 – 114)	
04	Fine2	-50 – +50	(14 – 114)	
05	Feedback Level	-63 – +63	(1 – 127)	
10	Dry / Wet Balance	D63>W – D=W – D<W63	(1 – 127)	
11	PAN1	L63 – C – R63	(1 – 127)	
12	Output Level1	0 – 127	(0 – 127)	
13	PAN2	L63 – C – R63	(1 – 127)	
14	Output Level2	0 – 127	(0 – 127)	

PITCH CHANGE2のみ、03.Fine1、04.Fine2の単位が [cent]

AUTO WAH

No.	Parameter	Range	Value (内部値)	Table No.
01	LFO Speed	0.0Hz – 39.70Hz	(0 – 127)	1
02	LFO Depth	0 – 127	(0 – 127)	
03	Cutoff Frequency Offset	0 – 127	(0 – 127)	
04	Resonance	1 – 12.0	(10 – 120)	
06 – 09	は※と同じ			
10	Dry / Wet Balance	D63>W – D=W – D<W63	(1 – 127)	

AUTO WAH DISTORTION
AUTO WAH OVERDRIVE

No.	Parameter	Range	Value (内部値)	Table No.
01	LFO Speed	0.0Hz – 39.70Hz	(0 – 127)	1
02	LFO Depth	0 – 127	(0 – 127)	
03	Cutoff Frequency Offset	0 – 127	(0 – 127)	
04	Resonance	1 – 12.0	(10 – 120)	
06 – 09	は※と同じ			
10	Dry / Wet Balance	D63>W – D=W – D<W63	(1 – 127)	
11	Drive	0 – 127	(0 – 127)	
12	Dist Low Gain	-12dB – +12dB	(52 – 76)	
13	Dist Mid Gain	-12dB – +12dB	(52 – 76)	
14	LPF Cutoff Frequency	1.0kHz – 20.0kHz	(34 – 60)	3
15	Output Level	0 – 127	(0 – 127)	

VINTAGE AUTO WAH 1 – 2

No.	Parameter	Range	Value (内部値)	Table No.
01	Speed	0.100Hz – 20.00Hz	(0 – 254)	24
02	Bottom	0 – 127	(0 – 127)	
03	Top	0 – 127	(0 – 127)	
04	Resonance Offset	-12.0 – +12.0	(40 – 88)	
05	LFO Wave	Sin, Trp	(0 – 1)	
06	Type	High, Mid, Low, Bass	(0 – 3)	
07	OverDrive	0.0dB – +40.0dB	(0 – 80)	
08	Output	-20.0dB – +10.0dB	(24 – 84)	
13	EQ Low Frequency	32Hz – 2.0kHz	(4 – 40)	3
14	EQ Low Gain	-12dB – +12dB	(52 – 76)	
15	EQ High Frequency	500Hz – 16.0kHz	(28 – 58)	3
16	EQ High Gain	-12dB – +12dB	(52 – 76)	

Bottom> Topのときには変調は一定値(Bottomの値)となる。

TOUCH WAH

No.	Parameter	Range	Value (内部値)	Table No.
01	Sensitive	0 – 127	(0 – 127)	
02	Cutoff Frequency Offset	0 – 127	(0 – 127)	
03	Resonance	1 – 12.0	(10 – 120)	
06 – 09	は※と同じ			
10	Dry / Wet Balance	D63>W – D=W – D<W63	(1 – 127)	

TOUCH WAH+DISTORTION
TOUCH WAH+OVERDRIVE

No.	Parameter	Range	Value (内部値)	Table No.
01	Sensitive	0 – 127	(0 – 127)	
02	Cutoff Frequency Offset	0 – 127	(0 – 127)	
03	Resonance	1 – 12.0	(10 – 120)	
06 – 09	は※と同じ			
10	Dry / Wet Balance	D63>W – D=W – D<W63	(1 – 127)	
11	Drive	0 – 127	(0 – 127)	
12	Dist Low Gain	-12dB – +12dB	(52 – 76)	
13	Dist Mid Gain	-12dB – +12dB	(52 – 76)	
14	LPF Cutoff Frequency	1.0kHz – 20.0kHz	(34 – 60)	3
15	Output Level	0 – 127	(0 – 127)	

VINTAGE TOUCH WAH 1 – 2

No.	Parameter	Range	Value (内部値)	Table No.
01	Sensitivity	0 – 127	(0 – 127)	
02	Bottom	0 – 127	(0 – 127)	
03	Top	0 – 127	(0 – 127)	
04	Resonance Offset	-12.0 – +12.0	(40 – 88)	
05	Direction	up, down	(0 – 1)	
06	Type	High, Mid, Low, Bass	(0 – 3)	
07	OverDrive	0.0dB – +40.0dB	(0 – 80)	
08	Output	-20.0dB – +10.0dB	(24 – 84)	
11	Attack Offset	-5 – +5	(59 – 69)	
13	EQ Low Frequency	32Hz – 2.0kHz	(4 – 40)	3
14	EQ Low Gain	-12dB – +12dB	(52 – 76)	
15	EQ High Frequency	500Hz – 16.0kHz	(28 – 58)	3
16	EQ High Gain	-12dB – +12dB	(52 – 76)	

Bottom > Topのときには変調は一定値(Bottomの値)となる。

WAH+DIST+DELAY
WAH+OVERDRIVE+DELAY

No.	Parameter	Range	Value (内部値)	Table No.
01	Delay Time	0.1ms – 1638.3ms	(1 – 16383)	
02	Delay Feedback Level	-63 – +63	(1 – 127)	
03	Delay mix	0 – 127	(0 – 127)	
04	Dist Drive	0 – 127	(0 – 127)	
05	Dist Output Level	0 – 127	(0 – 127)	
06	Dist EQ Low Gain	-12dB – +12dB	(52 – 76)	
07	Dist EQ Mid Gain	-12dB – +12dB	(52 – 76)	
10	Dry / Wet Balance	D63>W – D=W – D<W63	(1 – 127)	
11	Wah Sensitive	0 – 127	(0 – 127)	
12	Wah Cutoff Frequency	0 – 127	(0 – 127)	
13	Wah Resonance	1 – 12.0	(10 – 120)	
14	Wah Release	10ms – 680ms	(52 – 67)	12

LO-FI

No.	Parameter	Range	Value (内部値)	Table No.
01	Sampling Freq Control	44.1kHz – 344Hz	(0 – 127)	13
02	Word Length	1 – 127	(1 – 127)	
03	Output Gain	-6dB – +36dB	(0 – 42)	
04	Pre-LPF Cutoff Frequency	63Hz – 20.0kHz	(10 – 60)	3
05	Filter Type	thru, Power Bass, Radio, Telephone, Clean, Low	(0 – 5)	
06	Pre-LPF Resonance	1 – 12.0	(10 – 120)	
07	Bit Assign	0 – 6	(0 – 6)	
08	Emphasis	off/on	(0 – 1)	
10	Dry / Wet Balance	D63>W – D=W – D<W63	(1 – 127)	
15	Input Mode	mono/stereo	(0 – 1)	

LOW RESOLUTION

No.	Parameter	Range	Value (内部値)	Table No.
01	Mod Depth	0 - 127	(0 - 127)	
02	Mod Delay Offset	1 - 127	(1 - 127)	
03	Mod Feedback	-63 - +63	(1 - 127)	
04	Resolution	1, 1/2 - 1/128	(0 - 7)	
05	Mod Mix Balance	0 - 127	(0 - 127)	
06	Phase Inverse R	off, wet, wet+dry	(0 - 2)	
10	Dry/Wet Balance	D63>W - D=W - D<W63	(1 - 127)	

NOISY

No.	Parameter	Range	Value (内部値)	Table No.
01	Mod Depth	0 - 10	(0 - 10)	
02	Mod Speed	0 - 127	(0 - 127)	
03	Mod Feedback	-63 - +63	(1 - 127)	
04	Mod Mix Balance	1 - 127	(1 - 127)	
05	Drive	0 - 127	(0 - 127)	
06	AM Speed	0.00Hz - 39.7Hz	(0 - 127)	1
07	AM Depth	0 - 127	(0 - 127)	
08	LPF Frequency	1.0kHz - 20.0kHz	(34 - 60)	3
09	LPF Resonance	1.0 - 12.0	(10 - 120)	
10	Dry / Wet Balance	D63>W - D=W - D<W63	(1 - 127)	
11	EQ Frequency	100Hz - 10.0kHz	(14 - 54)	3
12	EQ Gain	-12 - +12dB	(52 - 76)	
13	EQ Width	1.0 - 12.0	(10 - 120)	

ATTACK LOFI

No.	Parameter	Range	Value (内部値)	Table No.
01	Sensitive	0 - 127	(0 - 127)	
02	Resolution	1, 1/2 - 1/32	(0 - 5)	
03	Peak Frequency	100Hz - 10.0kHz	(14 - 54)	3
04	LPF Frequency	1.0kHz - 20.0kHz	(34 - 60)	3
05	Flanger Speed	0.00Hz - 39.7Hz	(0 - 127)	1
06	Flanger LFO Wave	tri, sine, saw up, saw down	(0 - 3)	
07	Flanger Depth	0 - 127	(0 - 127)	
08	Flg Depth Ofst R	-63 - +63	(1 - 127)	
09	Flg Mix Balance	1 - 127	(1 - 127)	
10	Dry/Wet Balance	D63>W - D=W - D<W63	(1 - 127)	
11	Flanger Delay	0.1 - 650.0ms	(1 - 6500)	
12	Flg Delay Ofst R	0 - 884	(0 - 884)	
13	Flanger Feedback	-63 - +63	(1 - 127)	
14	Flanger FB Ofst R	-63 - +63	(1 - 127)	
15	Flanger FB HiDamp	0.1 - 1.0	(1 - 10)	
16	FB HiDamp Ofst R	-0.9 - +0.9	(1 - 19)	

DIGITAL TURNTABLE

No.	Parameter	Range	Value (内部値)	Table No.
01	Click Density	0 - 5	(0 - 5)	
02	Click Level	0 - 127	(0 - 127)	
03	Noise Tone	0 - 6	(0 - 6)	
04	Noise Mod Speed	0.00Hz - 39.7Hz	(0 - 127)	1
05	Noise Mod Depth	0 - 127	(0 - 127)	
06	Dry Send to Noise	0 - 127	(0 - 127)	
07	Noise LPF Freq	1.0kHz - 20.0kHz	(34 - 60)	3
08	Noise LPF Q	1.0 - 12.0	(10 - 120)	
09	Noise Level	0 - 127	(0 - 127)	
11	Dry Level	0 - 127	(0 - 127)	
12	Dry LPF Frequency	1.0kHz - 20.0kHz	(34 - 60)	3

DIGITAL SCRATCH

No.	Parameter	Range	Value (内部値)	Table No.
01	Input Level	0 - 127	(0 - 127)	
02	Initial Delay	0.1 - 460.0ms	(1 - 4600)	
03	Scratch Speed	1 - 127	(1 - 127)	
04	Scratch Depth	0 - 127	(0 - 127)	
05	Auto Pan Speed	0.00Hz - 39.7Hz	(0 - 127)	1
06	Auto Pan Depth	0 - 127	(0 - 127)	
07	EQ Frequency	100Hz - 10.0kHz	(14 - 54)	3
08	EQ Gain	-12 - +12dB	(52 - 76)	
09	EQ Width	1.0 - 12.0	(10 - 120)	
10	Dry / Wet Balance	D63>W - D=W - D<W63	(1 - 127)	
11	HPF Frequency	20Hz - 8.0kHz	(0 - 52)	3

AUTO SYNTH

No.	Parameter	Range	Value (内部値)	Table No.
01	Mod Speed	0 - 127	(0 - 127)	
02	Mod Wave Type	typeA, typeB, typeC, typeD	(0 - 3)	
03	Mod Depth	0 - 127	(0 - 127)	
04	Mod Depth Ofst R	-63 - +63	(1 - 127)	
05	HPF Frequency	20Hz - 8.0kHz	(0 - 52)	3
06	LPF Frequency	1.0kHz - 20.0kHz	(34 - 60)	3
07	Delay Time	0.1 - 370.0ms	(1 - 3700)	
08	Delay Time Ofst R	0 - 884	(0 - 884)	
09	Delay Level	0 - 127	(0 - 127)	
10	Dry Mix Level	0 - 127	(0 - 127)	
11	Feedback Level	-63 - +63	(1 - 127)	
12	FB Level Ofst R	-63 - +63	(1 - 127)	
13	AM Speed	0.00Hz - 39.7Hz	(0 - 127)	1
14	AM Wave	tri, sine, saw up, saw down	(0 - 3)	
15	AM Depth	0 - 127	(0 - 127)	
16	AM Inverse R	normal, inverse	(0 - 1)	

TECH MODULATION

No.	Parameter	Range	Value (内部値)	Table No.
01	Mod Speed	0 - 127	(0 - 127)	
02	Mod Depth	0 - 127	(0 - 127)	
03	Mod Gain	-12 - +12dB	(52 - 76)	
04	Mod Mix Balance	D63>W - D=W - D<W63	(1 - 127)	
05	Pre Mod HPF Freq	20Hz - 8.0kHz	(0 - 52)	3
06	Mod LPF Frequency	1.0kHz - 20.0kHz	(34 - 60)	3
07	Mod LPF Resonance	1.0 - 12.0	(10 - 120)	
08	Delay Time	0.1 - 740.0ms	(1 - 7400)	
09	Delay Time Ofst R	0 - 884	(0 - 884)	
10	Dry/Wet Balance	D63>W - D=W - D<W63	(1 - 127)	
11	Feedback Level	-63 - +63	(1 - 127)	
12	FB Level Ofst R	-63 - +63	(1 - 127)	
13	Feedback Hi Damp	0.1 - 1.0	(1 - 10)	
14	FB Hi Damp Ofst R	-0.9 - +0.9	(1 - 19)	

JUMP

No.	Parameter	Range	Value (内部値)	Table No.
01	Depth	0 - 127	(0 - 127)	
02	Speed	0 - 127	(0 - 127)	
03	Direction	L<>R, L>>R	(0 - 1)	
04	Type	typeA, typeB, typeC	(0 - 2)	
05	Jump Wave Type	typeA, typeB, typeC, typeD	(0 - 3)	
06	Resolution	1, 1/2 - 1/256	(0 - 8)	
07	HPF Frequency	20Hz - 8.0kHz	(0 - 52)	3
08	LPF Frequency	1.0kHz - 20.0kHz	(34 - 60)	3
10	Dry / Wet Balance	D63>W - D=W - D<W63	(1 - 127)	

ISOLATOR

No.	Parameter	Range	Value (内部値)	Table No.
01	On/off SW	on, off	(0 - 1)	
02	Low Level	-64 - +63	(0 - 127)	
03	Mid Level	-64 - +63	(0 - 127)	
04	High Level	-64 - +63	(0 - 127)	
05	Low Mute	off/on	(0 - 1)	
06	Mid Mute	off/on	(0 - 1)	
07	High Mute	off/on	(0 - 1)	

SLICE

No.	Parameter	Range	Value (内部値)	Table No.
01	Divide Type	16th - 4th	(5 - 11)	14
02	Gate Time	0 - 100%	(0 - 100)	
03	Pan Aeg Type	A - E	(0 - 4)	
04	Pan Aeg Min Level	0 - 127	(0 - 127)	
05	Pan Depth	-63 - +63	(1 - 127)	
06	Divide Min Level	0 - 127	(0 - 127)	
07	Pan Type	A - J	(0 - 9)	
08	Drive	0 - 127	(0 - 127)	
09	AEG Phase	0 - 15 (x1.6分音符)	(0 - 15)	
10	Dry/Wet Balance	D63>W - D=W - D<W63	(1 - 127)	
12	Set Slice Tempo	---	---	
13	EQ Low Frequency	32Hz - 2.0kHz	(4 - 40)	3
14	EQ Low Gain	-12dB - +12dB	(52 - 76)	
15	EQ High Frequency	500Hz - 16.0kHz	(28 - 58)	3
16	EQ High Gain	-12dB - +12dB	(52 - 76)	

3BAND EQ

No.	Parameter	Range	Value (内部値)	Table No.
01	EQ Low Gain	-12dB ~ +12dB	(52 - 76)	3
02	EQ Mid Frequency	100Hz ~ 16.0kHz	(14 - 58)	
03	EQ Mid Gain	-12dB ~ +12dB	(52 - 76)	
04	EQ Mid Width	0.1 ~ 12.0	(1 - 120)	3
05	EQ High Gain	-12dB ~ +12dB	(52 - 76)	
06	EQ Low Frequency	50Hz ~ 2.0kHz	(8 - 40)	
07	EQ High Frequency	500Hz ~ 16.0kHz	(28 - 58)	3
15	Input Mode	mono/stereo	(0 - 1)	

2BAND EQ

No.	Parameter	Range	Value (内部値)	Table No.
01 - 04 は※と同じ				

HARMONIC ENHANCER

No.	Parameter	Range	Value (内部値)	Table No.
01	HPF Cutoff Frequency	500Hz ~ 16.0kHz	(28 - 58)	3
02	Drive	0 - 127	(0 - 127)	
03	Mix Level	0 - 127	(0 - 127)	

VOICE CANCELER

No.	Parameter	Range	Value (内部値)	Table No.
11	Low Adjust	0 - 26	(0 - 26)	
12	High Adjust	0 - 26	(0 - 26)	

AMBIENCE

No.	Parameter	Range	Value (内部値)	Table No.
01	Delay Time	0.0ms ~ 50.0ms	(0 - 127)	2
02	Wet Output Phase	normal/inverse	(0 - 1)	
06 - 09 は※と同じ				
10	Dry / Wet Balance	D63>W - D=W - D<W63	(1 - 127)	

TALKING MODULATION

No.	Parameter	Range	Value (内部値)	Table No.
01	Vowel	a/i/u/e/o	(0 - 4)	
02	Move Speed	1 - 62	(1 - 62)	
03	Drive	0 - 127	(0 - 127)	
04	Output Level	0 - 127	(0 - 127)	

BEAT CHANGE

No.	Parameter	Range	Value (内部値)	Table No.
01	BeatChange	-63 ~ +63	(1 - 127)	3
02	Beat Range	0 - 12	(0 - 12)	
03	PitchChange	-63 ~ +63	(1 - 127)	
04	Pitch Range	0 - 12	(0 - 12)	
05	Accuracy Type	sound4 - normal - rythm4	(0 - 8)	
06	EQ Frequency	32Hz ~ 2.0kHz	(4 - 40)	
07	EQ Gain	-12dB ~ +12dB	(52 - 76)	
08	EQ Width	1.0 - 12.0	(10 - 120)	
09	Dry/Wet Balance	D63>W - D=W - D<W63	(1 - 127)	
10	Dry/Wet Balance	D63>W - D=W - D<W63	(1 - 127)	

RING MODULATOR

No.	Parameter	Range	Value (内部値)	Table No.
01	Carrier Freq Course	0.5 - 5kHz	(0 - 127)	19
02	Carrier Freq Fine	0 - 127	(0 - 127)	
03	LFO Wave	tri, sine	(0 - 1)	1
04	LFO Depth	0 - 127	(0 - 127)	
05	LFO Speed	0.0Hz ~ 39.70Hz	(0 - 127)	
06	HPF Cutoff Frequency	20Hz ~ 8.0kHz	(0 - 52)	
07	LPF Cutoff Frequency	1.0kHz ~ 20.0kHz	(34 - 60)	
10	Dry / Wet Balance	D63>W - D=W - D<W63	(1 - 127)	
13	EQ Low Frequency	32Hz ~ 2.0kHz	(4 - 40)	
14	EQ Low Gain	-12dB ~ +12dB	(52 - 76)	
15	EQ High Frequency	500Hz ~ 16.0kHz	(28 - 58)	
16	EQ High Gain	-12dB ~ +12dB	(52 - 76)	

DYNAMIC RING MODULATOR

No.	Parameter	Range	Value (内部値)	Table No.
01	Sensitivity	0 - 127	(0 - 127)	3
02	HPF Cutoff Frequency	20Hz ~ 8.0kHz	(0 - 52)	
03	LPF Cutoff Frequency	1.0kHz ~ 20.0kHz	(34 - 60)	
04	Attack Time	0.3ms ~ 227ms	(0 - 127)	
05	Release Time	2.6ms ~ 2171ms	(0 - 127)	
06	Release Curve	0 - 127	(0 - 127)	
07	Direction	up, down	(0 - 1)	
08	Dyna Threshold Level	0 - 127	(0 - 127)	
09	Dyna Level Offset	0 - 127	(0 - 127)	
10	Dry / Wet Balance	D63>W - D=W - D<W63	(1 - 127)	
13	EQ Low Frequency	32Hz ~ 2.0kHz	(4 - 40)	3
14	EQ Low Gain	-12dB ~ +12dB	(52 - 76)	
15	EQ High Frequency	500Hz ~ 16.0kHz	(28 - 58)	
16	EQ High Gain	-12dB ~ +12dB	(52 - 76)	3

DYNAMIC FILTER

No.	Parameter	Range	Value (内部値)	Table No.
01	Filter Type	LPF (12dB), LPF (18dB), LPF (24dB), HPF, BPF, BEF	(0 - 5)	17
02	Sensitivity	0 - 127	(0 - 127)	
03	Dyna Level Offset	0 - 127	(0 - 127)	
04	Resonance	-16 ~ +111	(0 - 127)	
05	Attack Time	0.3ms ~ 227ms	(0 - 127)	
06	Release Time	2.6ms ~ 2171ms	(0 - 127)	
07	Release Curve	0 - 127	(0 - 127)	
08	Direction	up, down	(0 - 1)	
09	Dyna Threshold Level	0 - 127	(0 - 127)	
10	Dry/Wet Balance	D63>W - D=W - D<W63	(1 - 127)	
13	EQ Low Frequency	32Hz ~ 2.0kHz	(4 - 40)	3
14	EQ Low Gain	-12dB ~ +12dB	(52 - 76)	
15	EQ High Frequency	500Hz ~ 16.0kHz	(28 - 58)	
16	EQ High Gain	-12dB ~ +12dB	(52 - 76)	3

Master Effect Block

Control Delay2 (stereo)

LO-FI

V-Distortion

Isolator

Dynamic Filter

Slice

Ring Modulator

Multi Band Comp 1

Master EQ Block

Master EQ

No.	Parameter	Display	Value (内部値)	Table No.
01	EQ Gain1	-12dB ~ +12dB	(52 - 76)	3
02	EQ Frequency1	32Hz ~ 2.0kHz	(4 - 40)	
03	EQ Q1	0.1 - 12.0	(1 - 120)	
04	EQ Shape1	shelving, peaking	(0 - 1)	3
05	EQ Gain2	-12dB ~ +12dB	(52 - 76)	
06	EQ Frequency2	100Hz ~ 10kHz	(14 - 54)	
07	EQ Q2	0.1 - 12.0	(1 - 120)	
09	EQ Gain3	-12dB ~ +12dB	(52 - 76)	
10	EQ Frequency3	100Hz ~ 10kHz	(14 - 54)	
11	EQ Q3	0.1 - 12.0	(1 - 120)	
13	EQ Gain4	-12dB ~ +12dB	(52 - 76)	
14	EQ Frequency4	100Hz ~ 10kHz	(14 - 54)	
15	EQ Q4	0.1 - 12.0	(1 - 120)	
17	EQ Gain5	-12dB ~ +12dB	(52 - 76)	3
18	EQ Frequency5	500Hz ~ 16kHz	(28 - 58)	
19	EQ Q5	0.1 - 12.0	(1 - 120)	
20	EQ Shape5	shelving, peaking	(0 - 1)	

EQ Shape1=Peakingの際、EQ Frequency1の値域は「63Hz~2.0kHz (10~40)」となります。

エフェクトデータアサインテーブル

Table#1
LFO Frequency

Data	Value	Data	Value
0	0.00	64	2.69
1	0.04	65	2.78
2	0.08	66	2.86
3	0.13	67	2.94
4	0.17	68	3.03
5	0.21	69	3.11
6	0.25	70	3.20
7	0.29	71	3.28
8	0.34	72	3.37
9	0.38	73	3.45
10	0.42	74	3.53
11	0.46	75	3.62
12	0.51	76	3.70
13	0.55	77	3.87
14	0.59	78	4.04
15	0.63	79	4.21
16	0.67	80	4.37
17	0.72	81	4.54
18	0.76	82	4.71
19	0.80	83	4.88
20	0.84	84	5.05
21	0.88	85	5.22
22	0.93	86	5.38
23	0.97	87	5.55
24	1.01	88	5.72
25	1.05	89	6.06
26	1.09	90	6.39
27	1.14	91	6.73
28	1.18	92	7.07
29	1.22	93	7.40
30	1.26	94	7.74
31	1.30	95	8.08
32	1.35	96	8.41
33	1.39	97	8.75
34	1.43	98	9.08
35	1.47	99	9.42
36	1.51	100	9.76
37	1.56	101	10.1
38	1.60	102	10.8
39	1.64	103	11.4
40	1.68	104	12.1
41	1.72	105	12.8
42	1.77	106	13.5
43	1.81	107	14.1
44	1.85	108	14.8
45	1.89	109	15.5
46	1.94	110	16.2
47	1.98	111	16.8
48	2.02	112	17.5
49	2.06	113	18.2
50	2.10	114	19.5
51	2.15	115	20.9
52	2.19	116	22.2
53	2.23	117	23.6
54	2.27	118	24.9
55	2.31	119	26.2
56	2.36	120	27.6
57	2.40	121	28.9
58	2.44	122	30.3
59	2.48	123	31.6
60	2.52	124	33.0
61	2.57	125	34.3
62	2.61	126	37.0
63	2.65	127	39.7

Table#2
Modulation Delay Offset

Data	Value	Data	Value
0	0.0	64	6.4
1	0.1	65	6.5
2	0.2	66	6.6
3	0.3	67	6.7
4	0.4	68	6.8
5	0.5	69	6.9
6	0.6	70	7.0
7	0.7	71	7.1
8	0.8	72	7.2
9	0.9	73	7.3
10	1.0	74	7.4
11	1.1	75	7.5
12	1.2	76	7.6
13	1.3	77	7.7
14	1.4	78	7.8
15	1.5	79	7.9
16	1.6	80	8.0
17	1.7	81	8.1
18	1.8	82	8.2
19	1.9	83	8.3
20	2.0	84	8.4
21	2.1	85	8.5
22	2.2	86	8.6
23	2.3	87	8.7
24	2.4	88	8.8
25	2.5	89	8.9
26	2.6	90	9.0
27	2.7	91	9.1
28	2.8	92	9.2
29	2.9	93	9.3
30	3.0	94	9.4
31	3.1	95	9.5
32	3.2	96	9.6
33	3.3	97	9.7
34	3.4	98	9.8
35	3.5	99	9.9
36	3.6	100	10.0
37	3.7	101	11.1
38	3.8	102	12.2
39	3.9	103	13.3
40	4.0	104	14.4
41	4.1	105	15.5
42	4.2	106	17.1
43	4.3	107	18.6
44	4.4	108	20.2
45	4.5	109	21.8
46	4.6	110	23.3
47	4.7	111	24.9
48	4.8	112	26.5
49	4.9	113	28.0
50	5.0	114	29.6
51	5.1	115	31.2
52	5.2	116	32.8
53	5.3	117	34.3
54	5.4	118	35.9
55	5.5	119	37.5
56	5.6	120	39.0
57	5.7	121	40.6
58	5.8	122	42.2
59	5.9	123	43.7
60	6.0	124	45.3
61	6.1	125	46.9
62	6.2	126	48.4
63	6.3	127	50.0

Table#3
EQ Frequency

Data	Value
0	THRU (20)
1	22
2	25
3	28
4	32
5	36
6	40
7	45
8	50
9	56
10	63
11	70
12	80
13	90
14	100
15	110
16	125
17	140
18	160
19	180
20	200
21	225
22	250
23	280
24	315
25	355
26	400
27	450
28	500
29	560
30	630
31	700
32	800
33	900
34	1.0k
35	1.1k
36	1.2k
37	1.4k
38	1.6k
39	1.8k
40	2.0k
41	2.2k
42	2.5k
43	2.8k
44	3.2k
45	3.6k
46	4.0k
47	4.5k
48	5.0k
49	5.6k
50	6.3k
51	7.0k
52	8.0k
53	9.0k
54	10.0k
55	11.0k
56	12.0k
57	14.0k
58	16.0k
59	18.0k
60	THRU (20.0k)

Table#4
Reverb Time

Data	Value
0	0.3
1	0.4
2	0.5
3	0.6
4	0.7
5	0.8
6	0.9
7	1.0
8	1.1
9	1.2
10	1.3
11	1.4
12	1.5
13	1.6
14	1.7
15	1.8
16	1.9
17	2.0
18	2.1
19	2.2
20	2.3
21	2.4
22	2.5
23	2.6
24	2.7
25	2.8
26	2.9
27	3.0
28	3.1
29	3.2
30	3.3
31	3.4
32	3.5
33	3.6
34	3.7
35	3.8
36	3.9
37	4.0
38	4.1
39	4.2
40	4.3
41	4.4
42	4.5
43	4.6
44	4.7
45	4.8
46	4.9
47	5.0
48	5.5
49	6.0
50	6.5
51	7.0
52	7.5
53	8.0
54	8.5
55	9.0
56	9.5
57	10.0
58	11.0
59	12.0
60	13.0
61	14.0
62	15.0
63	16.0
64	17.0
65	18.0
66	19.0
67	20.0
68	25.0
69	30.0

Table#5
Delay Time (0.1~200.0 [ms])

Data	Value	Data	Value
0	0.1	64	100.8
1	1.7	65	102.4
2	3.2	66	104.0
3	4.8	67	105.6
4	6.4	68	107.1
5	8.0	69	108.7
6	9.5	70	110.3
7	11.1	71	111.9
8	12.7	72	113.4
9	14.3	73	115.0
10	15.8	74	116.6
11	17.4	75	118.2
12	19.0	76	119.7
13	20.6	77	121.3
14	22.1	78	122.9
15	23.7	79	124.4
16	25.3	80	126.0
17	26.9	81	127.6
18	28.4	82	129.2
19	30.0	83	130.7
20	31.6	84	132.3
21	33.2	85	133.9
22	34.7	86	135.5
23	36.3	87	137.0
24	37.9	88	138.6
25	39.5	89	140.2
26	41.0	90	141.8
27	42.6	91	143.3
28	44.2	92	144.9
29	45.7	93	146.5
30	47.3	94	148.1
31	48.9	95	149.6
32	50.5	96	151.2
33	52.0	97	152.8
34	53.6	98	154.4
35	55.2	99	155.9
36	56.8	100	157.5
37	58.3	101	159.1
38	59.9	102	160.6
39	61.5	103	162.2
40	63.1	104	163.8
41	64.6	105	165.4
42	66.2	106	166.9
43	67.8	107	168.5
44	69.4	108	170.1
45	70.9	109	171.7
46	72.5	110	173.2
47	74.1	111	174.8
48	75.7	112	176.4
49	77.2	113	178.0
50	78.8	114	179.5
51	80.4	115	181.1
52	81.9	116	182.7
53	83.5	117	184.3
54	85.1	118	185.8
55	86.7	119	187.4
56	88.2	120	189.0
57	89.8	121	190.6
58	91.4	122	192.1
59	93.0	123	193.7
60	94.5	124	195.3
61	96.1	125	196.9
62	97.7	126	198.4
63	99.3	127	200.0

Table#6
Room Size

Data	Value	Data	Value
0	0.1	64	10.1
1	0.3	65	10.3
2	0.4	66	10.4
3	0.6	67	10.6
4	0.7	68	10.8
5	0.9	69	10.9
6	1.0	70	11.1
7	1.2	71	11.2
8	1.4	72	11.4
9	1.5	73	11.5
10	1.7	74	11.7
11	1.8	75	11.9
12	2.0	76	12.0
13	2.1	77	12.2
14	2.3	78	12.3
15	2.5	79	12.5
16	2.6	80	12.6
17	2.8	81	12.8
18	2.9	82	12.9
19	3.1	83	13.1
20	3.2	84	13.3
21	3.4	85	13.4
22	3.5	86	13.6
23	3.7	87	13.7
24	3.9	88	13.9
25	4.0	89	14.0
26	4.2	90	14.2
27	4.3	91	14.4
28	4.5	92	14.5
29	4.6	93	14.7
30	4.8	94	14.8
31	5.0	95	15.0
32	5.1	96	15.1
33	5.3	97	15.3
34	5.4	98	15.5
35	5.6	99	15.6
36	5.7	100	15.8
37	5.9	101	15.9
38	6.1	102	16.1
39	6.2	103	16.2
40	6.4	104	16.4
41	6.5	105	16.6
42	6.7	106	16.7
43	6.8	107	16.9
44	7.0	108	17.0
45	7.2	109	17.2
46	7.3	110	17.3
47	7.5	111	17.5
48	7.6	112	17.6
49	7.8	113	17.8
50	7.9	114	18.0
51	8.1	115	18.1
52	8.2	116	18.3
53	8.4	117	18.4
54	8.6	118	18.6
55	8.7	119	18.7
56	8.9	120	18.9
57	9.0	121	19.1
58	9.2	122	19.2
59	9.3	123	19.4
60	9.5	124	19.5
61	9.7	125	19.7
62	9.8	126	19.8
63	10.0	127	20.0

Table#7
Delay Time (0.1~400.0 [ms])

Data	Value	Data	Value
0	0.1	64	201.6
1	3.2	65	204.8
2	6.4	66	207.9
3	9.5	67	211.1
4	12.7	68	214.2
5	15.8	69	217.4
6	19.0	70	220.5
7	22.1	71	223.7
8	25.3	72	226.8
9	28.4	73	230.0
10	31.6	74	233.1
11	34.7	75	236.3
12	37.9	76	239.4
13	41.0	77	242.6
14	44.2	78	245.7
15	47.3	79	248.9
16	50.5	80	252.0
17	53.6	81	255.2
18	56.8	82	258.3
19	59.9	83	261.5
20	63.1	84	264.6
21	66.2	85	267.7
22	69.4	86	270.9
23	72.5	87	274.0
24	75.7	88	277.2
25	78.8	89	280.3
26	82.0	90	283.5
27	85.1	91	286.6
28	88.3	92	289.8
29	91.4	93	292.9
30	94.6	94	296.1
31	97.7	95	299.2
32	100.9	96	302.4
33	104.0	97	305.5
34	107.2	98	308.7
35	110.3	99	311.8
36	113.5	100	315.0
37	116.6	101	318.1
38	119.8	102	321.3
39	122.9	103	324.4
40	126.1	104	327.6
41	129.2	105	330.7
42	132.4	106	333.9
43	135.5	107	337.0
44	138.6	108	340.2
45	141.8	109	343.3
46	144.9	110	346.5
47	148.1	111	349.6
48	151.2	112	352.8
49	154.4	113	355.9
50	157.5	114	359.1
51	160.7	115	362.2
52	163.8	116	365.4
53	167.0	117	368.5
54	170.1	118	371.7
55	173.3	119	374.8
56	176.4	120	378.0
57	179.6	121	381.1
58	182.7	122	384.3
59	185.9	123	387.4
60	189.0	124	390.6
61	192.2	125	393.7
62	195.3	126	396.9
63	198.5	127	400.0

Table#8
Compressor
Attack Time

Data	Value
0	1
1	2
2	3
3	4
4	5
5	6
6	7
7	8
8	9
9	10
10	12
11	14
12	16
13	18
14	20
15	23
16	26
17	30
18	35
19	40
20	50
21	60
22	70
23	80
24	100
25	120
26	140
27	160
28	180
29	200

Table#9
Compressor
Release Time

Data	Value
0	10
1	15
2	25
3	35
4	45
5	55
6	65
7	75
8	85
9	100
10	115
11	140
12	170
13	230
14	340
15	680
16	850
17	1000
18	1200
19	1500
20	1700
21	2000
22	2400
23	3000

Table#10
Compressor
Ratio

Data	Value
0	1.0
1	1.5
2	2.0
3	3.0
4	5.0
5	7.0
6	10.0
7	20.0

Table#11
Reverb Width; Depth; Height

Data	Value	Data	Value
0	0.5	53	14.5
1	0.8	54	14.8
2	1.0	55	15.1
3	1.3	56	15.4
4	1.5	57	15.6
5	1.8	58	15.9
6	2.0	59	16.2
7	2.3	60	16.5
8	2.6	61	16.8
9	2.8	62	17.1
10	3.1	63	17.3
11	3.3	64	17.6
12	3.6	65	17.9
13	3.9	66	18.2
14	4.1	67	18.5
15	4.4	68	18.8
16	4.6	69	19.1
17	4.9	70	19.4
18	5.2	71	19.7
19	5.4	72	20.0
20	5.7	73	20.2
21	5.9	74	20.5
22	6.2	75	20.8
23	6.5	76	21.1
24	6.7	77	21.4
25	7.0	78	21.7
26	7.2	79	22.0
27	7.5	80	22.4
28	7.8	81	22.7
29	8.0	82	23.0
30	8.3	83	23.3
31	8.6	84	23.6
32	8.8	85	23.9
33	9.1	86	24.2
34	9.4	87	24.5
35	9.6	88	24.9
36	9.9	89	25.2
37	10.2	90	25.5
38	10.4	91	25.8
39	10.7	92	26.1
40	11.0	93	26.5
41	11.2	94	26.8
42	11.5	95	27.1
43	11.8	96	27.5
44	12.1	97	27.8
45	12.3	98	28.1
46	12.6	99	28.5
47	12.9	100	28.8
48	13.1	101	29.2
49	13.4	102	29.5
50	13.7	103	29.9
51	14.0	104	30.2
52	14.2		

Table#12
Wah Release Time

Data	Value
52	10
53	15
54	25
55	35
56	45
57	55
58	65
59	75
60	85
61	100
62	115
63	140
64	170
65	230
66	340
67	680

Table#13
LO-FI Sampling Frequency
Control

Data	Value	Data	Value
0	44.1k	64	678.5
1	22.1k	65	668.2
2	14.7k	66	658.2
3	11.0k	67	648.5
4	8.82k	68	639.1
5	7.35k	69	630.0
6	6.30k	70	621.1
7	5.51k	71	612.5
8	4.90k	72	604.1
9	4.41k	73	595.9
10	4.01k	74	588.0
11	3.68k	75	580.3
12	3.39k	76	572.7
13	3.15k	77	565.4
14	2.94k	78	558.2
15	2.76k	79	551.3
16	2.59k	80	544.4
17	2.45k	81	537.8
18	2.32k	82	531.3
19	2.21k	83	525.0
20	2.10k	84	518.8
21	2.00k	85	512.8
22	1.92k	86	506.9
23	1.84k	87	501.1
24	1.76k	88	495.5
25	1.70k	89	490.0
26	1.63k	90	484.6
27	1.58k	91	479.3
28	1.52k	92	474.2
29	1.47k	93	469.1
30	1.42k	94	464.2
31	1.38k	95	459.4
32	1.34k	96	454.6
33	1.30k	97	450.0
34	1.26k	98	445.5
35	1.23k	99	441.0
36	1.19k	100	436.6
37	1.16k	101	432.4
38	1.13k	102	428.2
39	1.10k	103	424.0
40	1.08k	104	420.0
41	1.05k	105	416.0
42	1.03k	106	412.1
43	1.00k	107	408.3
44	980.0	108	404.6
45	958.7	109	400.9
46	938.3	110	397.3
47	918.8	111	393.8
48	900.0	112	390.3
49	882.0	113	386.8
50	864.7	114	383.5
51	848.1	115	380.2
52	832.1	116	376.9
53	816.7	117	373.7
54	801.8	118	370.6
55	787.5	119	367.5
56	773.7	120	364.5
57	760.3	121	361.5
58	747.5	122	358.5
59	735.0	123	355.6
60	723.0	124	352.8
61	711.3	125	350.0
62	700.0	126	347.2
63	689.1	127	344.5

Table#14
Tempo

Data	Value
0	32th/3
1	64th.
2	32nd.
3	16th/3
4	32nd.
5	16th
6	8th/3
7	16th.
8	8th
9	4th/3
10	8th.
11	4th
12	2nd/3
13	4th.
14	2nd
15	Whole/3
16	2nd.
17	4thX4
18	4thX5
19	4thX6
20	4thX7
21	4thX8

Table#15
Multi Compressor Gain (dB)

Data	Value	Data	Value
0	-∞	31	-6
1	-60	32	-5
2	-57	33	-4
3	-54	34	-3
4	-51	35	-2
5	-48	36	-1
6	-45	37	0
7	-42	38	1
8	-39	39	2
9	-36	40	3
10	-33	41	4
11	-30	42	5
12	-27	43	6
13	-24	44	7
14	-23	45	8
15	-22	46	9
16	-21	47	10
17	-20	48	11
18	-19	49	12
19	-18	50	13
20	-17	51	14
21	-16	52	15
22	-15	53	16
23	-14	54	17
24	-13	55	18
25	-12		
26	-11		
27	-10		
28	-9		
29	-8		
30	-7		

Table#16
Divide Frequency (Hz)

Data	Value1	Value2	Data	Value1	Value2
0	32	1.2k	64	315	3.2k
1	32	1.6k	65	315	4.0k
2	32	2.0k	66	315	5.0k
3	32	2.5k	67	315	6.3k
4	32	3.2k	68	315	8.0k
5	32	4.0k	69	315	10.0k
6	32	5.0k	70	500	1.2k
7	32	6.3k	71	500	1.6k
8	32	8.0k	72	500	2.0k
9	32	10.0k	73	500	2.5k
10	63	1.2k	74	500	3.2k
11	63	1.6k	75	500	4.0k
12	63	2.0k	76	500	5.0k
13	63	2.5k	77	500	6.3k
14	63	3.2k	78	500	8.0k
15	63	4.0k	79	500	10.0k
16	63	5.0k	80	630	1.2k
17	63	6.3k	81	630	1.6k
18	63	8.0k	82	630	2.0k
19	63	10.0k	83	630	2.5k
20	80	1.2k	84	630	3.2k
21	80	1.6k	85	630	4.0k
22	80	2.0k	86	630	5.0k
23	80	2.5k	87	630	6.3k
24	80	3.2k	88	630	8.0k
25	80	4.0k	89	630	10.0k
26	80	5.0k			
27	80	6.3k			
28	80	8.0k			
29	80	10.0k			
30	125	1.2k			
31	125	1.6k			
32	125	2.0k			
33	125	2.5k			
34	125	3.2k			
35	125	4.0k			
36	125	5.0k			
37	125	6.3k			
38	125	8.0k			
39	125	10.0k			
40	160	1.2k			
41	160	1.6k			
42	160	2.0k			
43	160	2.5k			
44	160	3.2k			
45	160	4.0k			
46	160	5.0k			
47	160	6.3k			
48	160	8.0k			
49	160	10.0k			
50	250	1.2k			
51	250	1.6k			
52	250	2.0k			
53	250	2.5k			
54	250	3.2k			
55	250	4.0k			
56	250	5.0k			
57	250	6.3k			
58	250	8.0k			
59	250	10.0k			
60	315	1.2k			
61	315	1.6k			
62	315	2.0k			
63	315	2.5k			

Table#17
Dyna Attack Time (ms)

Data	Value	Data	Value
0	0.3	64	112
1	0.9	65	114
2	1.8	66	116
3	2.7	67	118
4	3.6	68	120
5	5.4	69	121
6	7.2	70	123
7	9.0	71	125
8	10.0	72	127
9	12.0	73	129
10	14.0	74	130
11	16.0	75	132
12	18.0	76	134
13	20.0	77	136
14	21.0	78	138
15	23.0	79	140
16	25.0	80	141
17	27.0	81	143
18	29.0	82	145
19	30.0	83	147
20	32.0	84	149
21	34.0	85	150
22	36.0	86	152
23	38.0	87	154
24	40.0	88	156
25	41.0	89	158
26	43.0	90	160
27	45.0	91	161
28	47.0	92	163
29	49.0	93	165
30	50.0	94	167
31	52.0	95	169
32	54.0	96	170
33	56.0	97	172
34	58.0	98	174
35	60.0	99	176
36	61.0	100	178
37	63.0	101	180
38	65.0	102	181
39	67.0	103	183
40	69.0	104	185
41	70.0	105	187
42	72.0	106	189
43	74.0	107	190
44	76.0	108	192
45	78.0	109	194
46	80.0	110	196
47	81.0	111	198
48	83.0	112	200
49	85.0	113	201
50	87.0	114	203
51	89.0	115	205
52	90.0	116	207
53	92.0	117	209
54	94.0	118	210
55	96.0	119	212
56	98.0	120	214
57	100.0	121	216
58	101.0	122	218
59	103.0	123	220
60	105.0	124	221
61	107.0	125	223
62	109.0	126	225
63	110.0	127	227

Table#18
Dyna Release Time (ms)

Data	Value	Data	Value
0	2.6	64	369
1	3.0	65	391
2	3.4	66	413
3	3.9	67	434
4	4.3	68	456
5	4.7	69	478
6	5.2	70	499
7	5.6	71	521
8	6.0	72	543
9	6.5	73	565
10	6.9	74	586
11	7.3	75	608
12	7.8	76	630
13	8.2	77	651
14	8.6	78	673
15	13	79	695
16	17	80	717
17	22	81	738
18	26	82	760
19	30	83	782
20	35	84	803
21	39	85	825
22	43	86	847
23	48	87	869
24	52	88	890
25	56	89	912
26	61	90	934
27	65	91	955
28	69	92	977
29	74	93	999
30	78	94	1021
31	83	95	1042
32	87	96	1064
33	91	97	1086
34	96	98	1107
35	100	99	1129
36	104	100	1151
37	109	101	1173
38	113	102	1194
39	117	103	1216
40	122	104	1238
41	126	105	1259
42	130	106	1281
43	135	107	1303
44	139	108	1346
45	143	109	1390
46	148	110	1433
47	152	111	1477
48	156	112	1520
49	161	113	1563
50	165	114	1607
51	169	115	1650
52	174	116	1694
53	178	117	1737
54	182	118	1781
55	187	119	1824
56	195	120	1867
57	217	121	1911
58	239	122	1954
59	261	123	1998
60	282	124	2041
61	304	125	2085
62	326	126	2128
63	347	127	2171

Table#19
Ring Mod Carrier Freq
Course (Hz)

Data	Value	Data	Value
0	0.5	64	152
1	1.5	65	160
2	2.0	66	169
3	2.5	67	179
4	3.5	68	189
5	4.0	69	200
6	4.5	70	211
7	5.5	71	224
8	6.0	72	236
9	6.5	73	250
10	7.5	74	264
11	8.0	75	279
12	8.5	76	295
13	8.9	77	312
14	9.4	78	330
15	10.0	79	348
16	10.6	80	368
17	11.2	81	389
18	11.8	82	412
19	12.5	83	435
20	13.2	84	460
21	13.9	85	486
22	14.7	86	514
23	15.6	87	543
24	16.5	88	574
25	17.4	89	607
26	18.4	90	642
27	19.4	91	678
28	20.6	92	717
29	21.7	93	758
30	23.0	94	801
31	24.3	95	847
32	25.7	96	895
33	27.1	97	946
34	28.7	98	1.00k
35	30.3	99	1.05k
36	32.0	100	1.11k
37	33.9	101	1.18k
38	35.8	102	1.24k
39	37.8	103	1.32k
40	40.0	104	1.39k
41	42.3	105	1.47k
42	44.7	106	1.55k
43	47.3	107	1.64k
44	49.9	108	1.74k
45	52.8	109	1.84k
46	55.8	110	1.94k
47	59.0	111	2.05k
48	62.4	112	2.17k
49	65.9	113	2.29k
50	69.7	114	2.43k
51	73.7	115	2.56k
52	77.9	116	2.71k
53	82.3	117	2.87k
54	87.0	118	3.03k
55	92.0	119	3.20k
56	97.2	120	3.39k
57	103	121	3.58k
58	109	122	3.79k
59	115	123	4.00k
60	121	124	4.23k
61	128	125	4.47k
62	136	126	4.73k
63	143	127	5.00k

Table#20
V-Flanger Delay Offset

Data	Value	Data	Value
0	0.09	70	6.35
1	0.11	71	6.67
2	0.13	72	7.01
3	0.15	73	7.37
4	0.18	74	7.74
5	0.20	75	8.13
6	0.22	76	8.54
7	0.24	77	8.97
8	0.27	78	9.41
9	0.29	79	9.85
10	0.31	80	10.29
11	0.34	81	10.73
12	0.36	82	11.17
13	0.38	83	11.61
14	0.40	84	12.05
15	0.42	85	12.49
16	0.43	86	12.93
17	0.46	87	13.37
18	0.48	88	13.81
19	0.51	89	14.24
20	0.53	90	14.68
21	0.56	91	15.12
22	0.59	92	15.56
23	0.62	93	16.00
24	0.65	94	16.44
25	0.68	95	16.88
26	0.72	96	17.32
27	0.76	97	17.76
28	0.79	98	18.20
29	0.83	99	18.64
30	0.88	100	19.08
31	0.92	101	19.52
32	0.97	102	19.96
33	1.02	103	20.40
34	1.07	104	20.83
35	1.12	105	21.27
36	1.18	106	21.71
37	1.24	107	22.15
38	1.30	108	22.59
39	1.37	109	23.03
40	1.44	110	23.47
41	1.51	111	23.91
42	1.59	112	24.35
43	1.67	113	24.79
44	1.76	114	25.23
45	1.84	115	25.66
46	1.94	116	26.10
47	2.04	117	26.54
48	2.14	118	26.98
49	2.25	119	27.42
50	2.36	120	27.86
51	2.48	121	28.30
52	2.61	122	28.74
53	2.74	123	29.18
54	2.88	124	29.62
55	3.03	125	30.06
56	3.18	126	30.50
57	3.34	127	30.94
58	3.51	128	31.38
59	3.69	129	31.82
60	3.87	130	32.25
61	4.07	131	32.69
62	4.28	132	33.13
63	4.49	133	33.57
64	4.72	134	34.01
65	4.96	135	34.45
66	5.21	136	34.89
67	5.47	137	35.33
68	5.75	138	35.77
69	6.04	139	36.21

Table#21
Modulation
Phase

Data	Value
0	-180
1	-158
2	-135
3	-113
4	-90
5	-68
6	-45
7	-23
8	0
9	23
10	45
11	68
12	90
13	113
14	135
15	158
16	180

Table#22
Vintage Flanger Speed

Data	Value	Data	Value	Data	Value	Data	Value
0	0.040	64	0.247	128	0.988	192	3.953
1	0.042	65	0.252	129	1.009	193	4.037
2	0.045	66	0.258	130	1.030	194	4.122
3	0.047	67	0.263	131	1.051	195	4.206
4	0.050	68	0.268	132	1.072	196	4.290
5	0.053	69	0.273	133	1.093	197	4.374
6	0.055	70	0.281	134	1.125	198	4.500
7	0.058	71	0.287	135	1.146	199	4.584
8	0.060	72	0.292	136	1.167	200	4.668
9	0.063	73	0.300	137	1.199	201	4.752
10	0.066	74	0.308	138	1.220	202	4.879
11	0.068	75	0.313	139	1.251	203	5.005
12	0.071	76	0.321	140	1.272	204	5.131
13	0.074	77	0.326	141	1.304	205	5.215
14	0.076	78	0.334	142	1.335	206	5.341
15	0.079	79	0.342	143	1.367	207	5.467
16	0.081	80	0.347	144	1.409	208	5.552
17	0.084	81	0.357	145	1.430	209	5.720
18	0.087	82	0.363	146	1.451	210	5.804
19	0.089	83	0.373	147	1.493	211	5.972
20	0.092	84	0.379	148	1.514	212	6.056
21	0.095	85	0.389	149	1.556	213	6.224
22	0.097	86	0.400	150	1.577	214	6.309
23	0.100	87	0.405	151	1.619	215	6.477
24	0.102	88	0.415	152	1.661	216	6.645
25	0.105	89	0.426	153	1.682	217	6.813
26	0.108	90	0.431	154	1.724	218	6.897
27	0.110	91	0.442	155	1.766	219	7.066
28	0.113	92	0.452	156	1.808	220	7.234
29	0.116	93	0.463	157	1.851	221	7.402
30	0.118	94	0.473	158	1.893	222	7.570
31	0.121	95	0.484	159	1.935	223	7.738
32	0.124	96	0.494	160	1.977	224	7.907
33	0.126	97	0.505	161	2.019	225	8.075
34	0.129	98	0.515	162	2.061	226	8.243
35	0.131	99	0.526	163	2.103	227	8.411
36	0.134	100	0.562	164	2.145	228	8.580
37	0.137	101	0.547	165	2.187	229	8.748
38	0.139	102	0.563	166	2.250	230	9.000
39	0.145	103	0.573	167	2.292	231	9.168
40	0.147	104	0.589	168	2.334	232	9.337
41	0.150	105	0.599	169	2.397	233	9.589
42	0.152	106	0.615	170	2.460	234	9.757
43	0.158	107	0.626	171	2.502	235	10.00
44	0.160	108	0.636	172	2.565		
45	0.163	109	0.652	173	2.608		
46	0.168	110	0.668	174	2.671		
47	0.171	111	0.683	175	2.733		
48	0.173	112	0.704	176	2.776		
49	0.179	113	0.715	177	2.860		
50	0.181	114	0.725	178	2.902		
51	0.187	115	0.747	179	2.986		
52	0.189	116	0.757	180	3.028		
53	0.195	117	0.778	181	3.112		
54	0.197	118	0.789	182	3.154		
55	0.202	119	0.810	183	3.238		
56	0.208	120	0.831	184	3.323		
57	0.210	121	0.852	185	3.365		
58	0.216	122	0.862	186	3.449		
59	0.221	123	0.883	187	3.533		
60	0.226	124	0.904	188	3.617		
61	0.231	125	0.925	189	3.701		
62	0.237	126	0.946	190	3.785		
63	0.242	127	0.967	191	3.869		

Table#23
Vintage Phaser Speed

Data	Value	Data	Value	Data	Value	Data	Value
0	0.100	64	0.334	128	1.062	192	3.365
1	0.103	65	0.342	129	1.083	193	3.449
2	0.105	66	0.347	130	1.104	194	3.491
3	0.108	67	0.357	131	1.125	195	3.575
4	0.110	68	0.363	132	1.146	196	3.659
5	0.113	69	0.368	133	1.167	197	3.701
6	0.116	70	0.373	134	1.188	198	3.785
7	0.118	71	0.379	135	1.209	199	3.827
8	0.121	72	0.389	136	1.230	200	3.911
9	0.124	73	0.394	137	1.251	201	3.995
10	0.126	74	0.400	138	1.272	202	4.080
11	0.129	75	0.410	139	1.304	203	4.122
12	0.131	76	0.415	140	1.325	204	4.206
13	0.134	77	0.426	141	1.346	205	4.290
14	0.137	78	0.431	142	1.367	206	4.374
15	0.139	79	0.442	143	1.410	207	4.458
16	0.142	80	0.447	144	1.430	208	4.500
17	0.145	81	0.457	145	1.451	209	4.584
18	0.147	82	0.463	146	1.472	210	4.668
19	0.150	83	0.473	147	1.493	211	4.752
20	0.152	84	0.478	148	1.535	212	4.837
21	0.155	85	0.489	149	1.556	213	4.921
22	0.158	86	0.499	150	1.577	214	5.047
23	0.160	87	0.510	151	1.619	215	5.131
24	0.163	88	0.515	152	1.640	216	5.215
25	0.166	89	0.526	153	1.682	217	5.299
26	0.168	90	0.536	154	1.703	218	5.383
27	0.171	91	0.547	155	1.724	219	5.551
28	0.173	92	0.557	156	1.767	220	5.636
29	0.179	93	0.568	157	1.808	221	5.720
30	0.181	94	0.578	158	1.829	222	5.804
31	0.184	95	0.589	159	1.872	223	5.888
32	0.187	96	0.599	160	1.893	224	6.056
33	0.192	97	0.610	161	1.935	225	6.140
34	0.195	98	0.620	162	1.977	226	6.224
35	0.200	99	0.631	163	2.000	227	6.393
36	0.202	100	0.641	164	2.040	228	6.477
37	0.205	101	0.652	165	2.082	229	6.561
38	0.210	102	0.668	166	2.124	230	6.729
39	0.213	103	0.683	167	2.145	231	6.813
40	0.218	104	0.694	168	2.187	232	6.981
41	0.221	105	0.704	169	2.229	233	7.066
42	0.226	106	0.715	170	2.271	234	7.234
43	0.229	107	0.725	171	2.313	235	7.318
44	0.234	108	0.747	172	2.355	236	7.486
45	0.237	109	0.758	173	2.397	237	7.654
46	0.242	110	0.768	174	2.439	238	7.774
47	0.247	111	0.789	175	2.503	239	7.907
48	0.250	112	0.799	176	2.544	240	8.075
49	0.255	113	0.810	177	2.587	241	8.159
50	0.260	114	0.831	178	2.629	242	8.327
51	0.265	115	0.841	179	2.671	243	8.496
52	0.271	116	0.862	180	2.734	244	8.664
53	0.276	117	0.873	181	2.776	245	8.832
54	0.281	118	0.894	182	2.860	246	9.000
55	0.287	119	0.904	183	2.902	247	9.168
56	0.289	120	0.925	184	2.944	248	9.337
57	0.294	121	0.936	185	2.986	249	9.505
58	0.300	122	0.957	186	3.028	250	9.673
59	0.308	123	0.967	187	3.070	251	9.841
60	0.310	124	0.988	188	3.154	252	10.00
61	0.318	125	1.000	189	3.196		
62	0.323	126	1.030	190	3.280		
63	0.329	127	1.051	191	3.323		

Table#24
Vintage Wah Speed

Data	Value	Data	Value	Data	Value	Data	Value
0	0.100	64	0.384	128	1.451	192	5.552
1	0.103	65	0.394	129	1.493	193	5.636
2	0.105	66	0.405	130	1.514	194	5.720
3	0.108	67	0.410	131	1.556	195	5.888
4	0.110	68	0.421	132	1.598	196	5.972
5	0.113	69	0.426	133	1.619	197	6.140
6	0.116	70	0.436	134	1.661	198	6.224
7	0.118	71	0.447	135	1.703	199	6.393
8	0.129	72	0.457	136	1.724	200	6.477
9	0.124	73	0.463	137	1.766	201	6.665
10	0.126	74	0.473	138	1.808	202	6.813
11	0.129	75	0.484	139	1.851	203	6.897
12	0.131	76	0.494	140	1.872	204	7.066
13	0.134	77	0.505	141	1.914	205	7.234
14	0.137	78	0.515	142	1.956	206	7.402
15	0.139	79	0.526	143	1.999	207	7.570
16	0.142	80	0.536	144	2.040	208	7.654
17	0.145	81	0.547	145	2.082	209	7.823
18	0.147	82	0.563	146	2.124	210	7.991
19	0.152	83	0.573	147	2.166	211	8.159
20	0.155	84	0.584	148	2.229	212	8.327
21	0.157	85	0.599	149	2.250	213	8.496
22	0.163	86	0.610	150	2.313	214	8.748
23	0.166	87	0.620	151	2.355	215	8.916
24	0.168	88	0.636	152	2.397	216	9.084
25	0.173	89	0.652	153	2.460	217	9.253
26	0.176	90	0.662	154	2.502	218	9.505
27	0.179	91	0.673	155	2.566	219	9.673
28	0.184	92	0.694	156	2.608	220	9.841
29	0.187	93	0.704	157	2.671	221	10.09
30	0.189	94	0.725	158	2.734	222	10.26
31	0.195	95	0.736	159	2.776	223	10.51
32	0.200	96	0.747	160	2.818	224	10.77
33	0.202	97	0.768	161	2.902	225	10.93
34	0.208	98	0.778	162	2.944	226	11.10
35	0.210	99	0.799	163	3.028	227	11.44
36	0.216	100	0.820	164	3.070	228	11.61
37	0.221	101	0.831	165	3.154	229	11.94
38	0.226	102	0.852	166	3.196	230	12.11
39	0.231	103	0.873	167	3.280	231	12.45
40	0.234	104	0.883	168	3.336	232	12.62
41	0.239	105	0.904	169	3.407	233	12.95
42	0.244	106	0.935	170	3.491	234	13.29
43	0.250	107	0.946	171	3.575	235	13.46
44	0.255	108	0.967	172	3.659	236	13.79
45	0.260	109	0.988	173	3.701	237	13.96
46	0.265	110	0.999	174	3.785	238	14.30
47	0.271	111	1.020	175	3.869	239	14.64
48	0.276	112	1.051	176	3.953	240	14.97
49	0.284	113	1.072	177	4.037	241	15.31
50	0.289	114	1.093	178	4.122	242	15.65
51	0.294	115	1.115	179	4.206	243	15.98
52	0.302	116	1.136	180	4.290	244	16.32
53	0.308	117	1.157	181	4.374	245	16.65
54	0.315	118	1.188	182	4.500	246	16.99
55	0.321	119	1.209	183	4.584	247	17.33
56	0.326	120	1.241	184	4.668	248	17.66
57	0.334	121	1.262	185	4.795	249	18.00
58	0.342	122	1.293	186	4.879	250	18.34
59	0.347	123	1.314	187	4.963	251	18.84
60	0.357	124	1.346	188	5.090	252	19.18
61	0.363	125	1.367	189	5.173	253	19.51
62	0.368	126	1.409	190	5.299	254	20.00
63	0.379	127	1.430	191	5.383		

Table#25
Rev Hall Time

Data	Value
0	0.3
1	0.4
2	0.5
3	0.6
4	0.7
5	0.8
6	0.9
7	1.0
8	1.1
9	1.2
10	1.3
11	1.4
12	1.5
13	1.6
14	1.7
15	1.8
16	1.9
17	2.0
18	2.1
19	2.2
20	2.3
21	2.4
22	2.5
23	2.6
24	2.7
25	2.8
26	2.9
27	3.0
28	3.1
29	3.2
30	3.3
31	3.4
32	3.5
33	3.6
34	3.7
35	3.8
36	3.9
37	4.0
38	4.1
39	4.2
40	4.3
41	4.4
42	4.5
43	4.6
44	4.7
45	4.8
46	4.9
47	5.0
48	5.5
49	6.0
50	6.5
51	7.0
52	7.5
53	8.0
54	8.5
55	9.0
56	9.5
57	10.0
58	10.5
59	11.0
60	11.5
61	12.0
62	12.5
63	13.0
64	13.5
65	14.0
66	15.0
67	16.0
68	17.0
69	18.0

Table#26
Rev Room Time

Data	Value
0	0.3
1	0.4
2	0.5
3	0.6
4	0.7
5	0.8
6	0.9
7	1.0
8	1.1
9	1.2
10	1.3
11	1.4
12	1.5
13	1.6
14	1.7
15	1.8
16	1.9
17	2.0
18	2.1
19	2.2
20	2.3
21	2.4
22	2.5
23	2.6
24	2.7
25	2.8
26	2.9
27	3.0
28	3.1
29	3.2
30	3.3
31	3.4
32	3.5
33	3.6
34	3.7
35	3.8
36	3.9
37	4.0
38	4.1
39	4.2
40	4.3
41	4.4
42	4.5
43	4.6
44	4.7
45	4.8
46	4.9
47	5.0
48	5.1
49	5.2
50	5.3
51	5.4
52	5.5
53	5.6
54	5.7
55	5.8
56	5.9
57	6.0
58	6.1
59	6.2
60	6.3
61	6.4
62	6.5
63	6.6
64	6.7
65	6.8
66	6.9
67	7.0
68	8.0
69	10.0

Table#27
Rev Plate Time

Data	Value
0	0.3
1	0.4
2	0.5
3	0.6
4	0.7
5	0.8
6	0.9
7	1.0
8	1.1
9	1.2
10	1.3
11	1.4
12	1.5
13	1.6
14	1.7
15	1.8
16	1.9
17	2.0
18	2.1
19	2.2
20	2.3
21	2.4
22	2.5
23	2.6
24	2.7
25	2.8
26	2.9
27	3.0
28	3.1
29	3.2
30	3.3
31	3.4
32	3.5
33	3.6
34	3.7
35	3.8
36	3.9
37	4.0
38	4.1
39	4.2
40	4.3
41	4.4
42	4.5
43	4.6
44	4.7
45	4.8
46	4.9
47	5.0
48	5.5
49	6.0
50	6.5
51	7.0
52	7.5
53	8.0
54	8.5
55	9.0
56	9.5
57	10.0
58	10.5
59	11.0
60	11.5
61	12.0
62	12.5
63	13.0
64	14.0
65	15.0
66	17.0
67	20.0
68	23.0
69	26.0

コントロールリスト

Assign A/B DESTINATION

No.	Display	Description
0	off	off
1	EQLow-G	MEQ Low Gain
2	EQLow-F	MEQ Low Frequency
3	EQLow-Q	MEQ Low Q
4	EQLoM-G	MEQ Low Mid Gain
5	EQLoM-F	MEQ Low Mid Frequency
6	EQLoM-Q	MEQ Low Mid Q
7	EQMid-G	MEQ Mid Gain
8	EQMid-F	MEQ Mid Frequency
9	EQMid-Q	MEQ Mid Q
10	EQHiM-G	MEQ High Mid Gain
11	EQHiM-F	MEQ High Mid Frequency
12	EQHiM-Q	MEQ High Mid Q
13	EQHighG	MEQ High Gain
14	EQHighF	MEQ High Frequency
15	EQHighQ	MEQ High Q
16	MEF-P1	MEFF Parameter 1
:	:	:
31	MEF-P16	MEFF Parameter 16
:	:	:
32	REV-P1	Reverb Parameter 1
:	:	:
47	REV-P16	Reverb Parameter 16
48	REV-Rtn	Reverb Return
49	REV-Pan	Reverb Pan
50	CHO-P1	Chorus Parameter 1
:	:	:
65	CHO-P16	Chorus Parameter 16
66	CHO-Rtn	Chorus Return
67	CHO-Pan	Chorus Pan
68	CHO->REV	Send Chorus To Reverb
69	ARP-Unt	Arpeggio Unit Multiply
70	ARP-Vel	Arpeggio Velocity Rate
71	ARP-Gat	Arpeggio Gate Time Rate
72	ARP-QuV	Arpeggio Quantize Value
73	ARP-QuS	Arpeggio Quantize Strength
74	ARP-Swg	Arpeggio Swing
75	Tempo	Arpeggio/Sequencer Tempo
76	AEG-Atk	AEG Attack Time
77	AEG-Dcy	AEG Decay Time
78	AEG-Sus	AEG Sustain Level
79	AEG-Rel	AEG Release Time
80	FEG-Atk	FEG Attack Time
81	FEG-Dcy	FEG Decay Time
82	FEG-Rel	FEG Release Time
83	FEG-Dpt	FEG Depth
84	Cutoff	Cutoff Frequency
85	Reso	Resonance

x = 0: Normal Voice
 6: Drum Voice, Phrase Clip Kit
 C: Plug-in Voice

VOICE CONTROL SET DESTINATION

No.	Display	Description	Normal	Other
0	-----	off	○	○
1	Volume	Voice Volume	○	○
2	RevSend	Reverb Send	○	○
3	ChoSend	Chorus Send	○	○
4	INSA-P1	Insertion Effect A Parameter 1	○	○
:	:	:	:	:
19	INSAP16	Insertion Effect A Parameter 16	○	○
:	:	:	:	:
20	INSB-P1	Insertion Effect B Parameter 1	○	○
:	:	:	:	:
35	INSBP16	Insertion Effect B Parameter 16	○	○
36	CLFOSpd	Common LFO Speed	○	X
37	CLFO-D1	Common LFO Depth1	○	X
38	CLFO-D2	Common LFO Depth2	○	X
39	CLFO-D3	Common LFO Depth3	○	X
40	PorTime	Portamento Time	○	X
41	ELM-Lvl	Element Level	○	X
42	ELM-Pan	Element Pan	○	X
43	ELM-Dly	Element Key On Delay	○	X
44	ELFOSpd	Element LFO Speed	○	X
45	ELFO-PM	Element LFO Pitch Modulation Depth	○	X
46	ELFO-AM	Element LFO Amplitude Modulation Depth	○	X
47	ELFO-FM	Element LFO Filter Modulation Depth	○	X
48	PCH-Crs	Element Pitch Coarse	○	X
49	PCH-Fin	Element Pitch Fine	○	X
50	PEG-Dpt	Element Pitch EG Depth	○	X
51	PEG-Hld	Element Pitch EG Hold Time	○	X
52	PEG-Atk	Element Pitch EG Attack Time	○	X
53	PEG-D1	Element Pitch EG Decay1 Time	○	X
54	PEG-D2	Element Pitch EG Decay2 Time	○	X
55	PEG-Rel	Element Pitch EG Release Time	○	X
56	AEG-Atk	Element Amplitude EG Attack Time	○	X
57	AEG-D1	Element Amplitude EG Decay1 Time	○	X
58	AEG-D2	Element Amplitude EG Decay2 Time	○	X
59	AEG-Rel	Element Amplitude EG Release Time	○	X
60	FEG-Dpt	Element Filter EG Depth	○	X
61	FEG-Hld	Element Filter EG Hold Time	○	X
62	FEG-Atk	Element Filter EG Attack Time	○	X
63	FEG-D1	Element Filter EG Decay1 Time	○	X
64	FEG-D2	Element Filter EG Decay2 Time	○	X
65	FEG-Rel	Element Filter EG Release Time	○	X
66	FLT-Frq	Element Filter Cutoff Frequency	○	X
67	FLT-Rez	Element Filter Resonance	○	X
68	HPF-Frq	Element HPF Cutoff Frequency	○	X

ミキシングテンプレートリスト

No.	Name	No.	Name
1	New R&B	17	Samba
2	Flip Hop	18	Salsa
3	Hip Hop 1	19	Montuno
4	Hip Hop 2	20	Reggae
5	Disco	21	Trance
6	Funk 1	22	IbizaTranc
7	Funk 2	23	DreamDance
8	70's Rock	24	Synth Pop
9	Soft Rock	25	Chill Out
10	Unplugged	26	Club House
11	PianoClub	27	LatinHouse
12	Cool Funk	28	Garage
13	Analog Pop	29	Retro Pop
14	Guitar Pop	30	Xover Rock
15	Slowfeel	31	SpanishPop
16	Combo Jazz	32	TurkishPop

アルペジオタイプリスト

Voice Type の欄には、各アルペジオを鳴らすのに適したボイスの種類が掲載されています。
このうち、クォテーションマークのついたものは、本体に実際に搭載されているボイスの名前です。

Category	Arp#	ARP Name	Time Signature	Length	Original Tempo	Voice Type
Seq	001	UpOct1	4 / 4	1	120	Syn Comp/Lead
Seq	002	UpOct2	4 / 4	1	120	:
Seq	003	UpOct4	4 / 4	1	120	:
Seq	004	DownOct1	4 / 4	1	120	:
Seq	005	DownOct2	4 / 4	1	120	:
Seq	006	DownOct4	4 / 4	1	120	:
Seq	007	U/DAOct1	4 / 4	1	120	:
Seq	008	U/DAOct2	4 / 4	1	120	:
Seq	009	U/DAOct4	4 / 4	1	120	:
Seq	010	U/DBOct1	4 / 4	1	120	:
Seq	011	U/DBOct2	4 / 4	1	120	:
Seq	012	U/DBOct4	4 / 4	1	120	:
Seq	013	RndmOct1	4 / 4	1	120	:
Seq	014	RndmOct2	4 / 4	1	120	:
Seq	015	RndmOct4	4 / 4	1	120	:
Seq	016	Oct2Up	4 / 4	1	120	:
Seq	017	Oct4Up	4 / 4	1	120	:
Seq	018	UnisonUp	4 / 4	1	120	:
Seq	019	Up&Down1	4 / 4	1	120	:
Seq	020	Up&Down2	4 / 4	1	120	:
Seq	021	Up&Down4	4 / 4	1	120	:
Seq	022	Up&Alt1	4 / 4	1	120	:
Seq	023	Up&Rndm1	4 / 4	1	120	:
Seq	024	Up&Rndm2	4 / 4	1	120	:
Seq	025	Up&Rndm4	4 / 4	1	120	:
Seq	026	SynArp1	4 / 4	1	130	:
Seq	027	SynArp2	4 / 4	2	130	:
Seq	028	SynArp3	4 / 4	1	130	:
Seq	029	SynArp4	4 / 4	1	130	:
Seq	030	SynArp5	4 / 4	1	130	:
Seq	031	SynArp6	4 / 4	1	124	:
Seq	032	SynArp7	4 / 4	1	120	:
Seq	033	SynArp8	4 / 4	1	130	:
Seq	034	SynArp9	4 / 4	1	130	:
Seq	035	SynArp10	4 / 4	1	130	:
Seq	036	SynArp11	4 / 4	2	130	:
Seq	037	SynArp12	4 / 4	1	90	:
Seq	038	SynArp13	4 / 4	2	124	:
Seq	039	SynArp14	4 / 4	1	130	:
Seq	040	SynArp15	4 / 4	1	130	:
Seq	041	SynArp16	4 / 4	1	130	:
Seq	042	SynArp17	4 / 4	1	90	:
Seq	043	SynArp18	4 / 4	1	130	:
Seq	044	SynArp19	4 / 4	1	120	:
Seq	045	SynArp20	4 / 4	1	120	:
Seq	046	SynArp21	4 / 4	1	124	:
Seq	047	SynArp22	4 / 4	1	120	:
Seq	048	SynArp23	4 / 4	1	138	:
Seq	049	SynArp24	4 / 4	1	138	:
Seq	050	SynArp25	4 / 4	1	120	:
Seq	051	SynArp26	4 / 4	1	120	:
Seq	052	SynArp27	4 / 4	1	120	:
Seq	053	SynArp28	1 / 4	10	125	:
Seq	054	SynArp29	4 / 4	5	120	:
Seq	055	Techno1	4 / 4	2	120	:
Seq	056	Techno2	4 / 4	2	120	:
Seq	057	Techno3	4 / 4	2	120	:
Seq	058	Syncopa1	4 / 4	2	120	:
Seq	059	SyncopEco	4 / 4	2	120	:
Seq	060	PulsLine	4 / 4	2	120	:
Seq	061	SeqS&H1	4 / 4	4	120	:
Seq	062	SeqS&H2	4 / 4	4	120	:
Seq	063	Ocean	4 / 4	1	120	:
Seq	064	Orbit	4 / 4	1	140	:
Seq	065	X-Sweep1	4 / 4	1	140	:
Seq	066	X-Sweep2	4 / 4	1	140	:
Seq	067	X-Sweep3	4 / 4	1	140	:
Seq	068	Lamb	4 / 4	1	125	:
Seq	069	Harmo	4 / 4	1	150	:
Seq	070	Ascorbic	4 / 4	1	150	:
Seq	071	Doves	4 / 4	1	150	:
Seq	072	Chodal	4 / 4	2	150	:
Seq	073	Simple	4 / 4	2	150	:
Seq	074	Waggle	4 / 4	1	140	:

Category	Arp#	ARP Name	Time Signature	Length	Original Tempo	Voice Type
Seq	075	SuperArp	4 / 4	2	120	Syn Comp/Lead
Seq	076	SpaceArp	4 / 4	2	120	:
Seq	077	StepLine	4 / 4	1	120	:
Seq	078	AcidLine	4 / 4	1	120	:
Seq	079	SplitArp	4 / 4	1	120	:
Seq	080	Step Seq	4 / 4	1	120	:
Seq	081	TekEcho1	4 / 4	2	120	:
Seq	082	Hardcore	4 / 4	3	150	:
Seq	083	MuteArp1	4 / 4	1	120	:
Seq	084	MuteArp2	4 / 4	1	120	:
Seq	085	VelGruv1	4 / 4	1	134	:
Seq	086	VelGruv2	4 / 4	1	134	:
Seq	087	MuteLine	4 / 4	1	134	:
Seq	088	PolyArp1	4 / 4	1	120	:
Seq	089	PolyArp2	4 / 4	1	120	:
Seq	090	Ana Seq	4 / 4	1	120	:
Seq	091	Planet	4 / 4	1	120	:
Seq	092	Thips	4 / 4	1	100	:
Seq	093	Boiler1	4 / 4	1	120	:
Seq	094	Boiler2	4 / 4	1	120	:
Seq	095	Boiler3	4 / 4	1	120	:
Seq	096	Boiler4	4 / 4	1	110	:
Seq	097	Bees1	4 / 4	1	118	:
Seq	098	Bees2	4 / 4	1	118	:
Seq	099	Bees3	4 / 4	1	118	:
Seq	100	NewR&B2D	4 / 4	2	90	:
Seq	101	NewR&B2E	4 / 4	2	90	:
Seq	102	NewR&B2F	4 / 4	2	90	:
Seq	103	HipHop3D	4 / 4	2	104	:
Seq	104	HipHop3E	4 / 4	2	104	:
Seq	105	HipHop3H	4 / 4	1	104	:
Seq	106	TranceC1	4 / 4	1	140	:
Seq	107	TranceB2	4 / 4	4	140	:
Seq	108	TranceE2	4 / 4	4	140	:
Seq	109	TranceA3	4 / 4	1	140	:
Seq	110	TranceF3	4 / 4	1	140	:
Seq	111	TranceC4	4 / 4	4	140	:
Seq	112	TranceG4	4 / 4	4	140	:
Seq	113	TranceF5	4 / 4	1	140	:
Seq	114	TranceG5	4 / 4	4	140	:
Seq	115	TranceD6	4 / 4	4	140	:
Seq	116	Dream D1	4 / 4	1	136	:
Seq	117	Dream F1	4 / 4	1	136	:
Seq	118	Dream B2	4 / 4	1	136	:
Seq	119	Dream E2	4 / 4	1	136	:
Seq	120	Dream F2	4 / 4	1	136	:
Seq	121	Dream C3	4 / 4	1	136	:
Seq	122	Ibiza E1	4 / 4	2	135	:
Seq	123	Ibiza A1	4 / 4	8	135	:
Seq	124	Ibiza C2	4 / 4	2	135	:
Seq	125	Ibiza E2	4 / 4	2	135	:
Seq	126	Ibiza C3	4 / 4	2	135	:
Seq	127	Ibiza D3	4 / 4	2	135	:
Seq	128	ChlIOutD	4 / 4	4	79	:
Seq	129	ChlIOutE	4 / 4	2	79	:
Seq	130	ChlIOutH	4 / 4	1	79	:
Seq	131	SynPop1B	4 / 4	1	90	:
Seq	132	SynPop1C	4 / 4	1	90	:
Seq	133	SynPop1E	4 / 4	1	90	:
Seq	134	SynPop1A	4 / 4	1	90	:
Seq	135	SynPop1F	4 / 4	1	90	:
Seq	136	RetroPpB	4 / 4	1	126	:
Seq	137	RetroPpD	4 / 4	2	126	:
Seq	138	RetroPpF	4 / 4	1	100	:
Seq	139	Disco C	4 / 4	2	110	:
Seq	140	Disco D	4 / 4	2	110	:
Seq	141	LatinHsB	4 / 4	4	138	:
Seq	142	LatinHsC	4 / 4	2	138	:
ChSq	001	ChdAltB1	4 / 4	1	120	:
ChSq	002	ChdAltB2	4 / 4	1	120	:
ChSq	003	ChdAltB4	4 / 4	1	120	:
ChSq	004	ChdRndm1	4 / 4	1	120	:
ChSq	005	ChdRndm2	4 / 4	1	120	:
ChSq	006	ChdRndm4	4 / 4	1	120	:

Category	Arp#	ARP Name	Time Signature	Length	Original Tempo	Voice Type
ChSq	007	SynChd1	4 / 4	1	130	Syn Comp/Lead
ChSq	008	SynChd2	4 / 4	1	90	:
ChSq	009	SynChd3	4 / 4	1	120	:
ChSq	010	SynChd4	4 / 4	1	130	:
ChSq	011	SynChd5	4 / 4	1	130	:
ChSq	012	SynChd6	4 / 4	1	130	:
ChSq	013	SynChd7	4 / 4	1	130	:
ChSq	014	SynChd8	4 / 4	1	90	:
ChSq	015	SynChd9	4 / 4	1	120	:
ChSq	016	SynChd10	4 / 4	1	116	:
ChSq	017	SynChd11	4 / 4	4	130	:
ChSq	018	SynChd12	4 / 4	1	124	:
ChSq	019	SynChd13	4 / 4	1	140	:
ChSq	020	SynChd14	4 / 4	2	130	:
ChSq	021	SynChd15	4 / 4	2	134	:
ChSq	022	SynChd16	4 / 4	1	138	:
ChSq	023	Syncopa2	4 / 4	2	120	:
ChSq	024	TekEcho2	4 / 4	2	120	:
ChSq	025	Rosync	4 / 4	1	120	:
ChSq	026	Fugue	4 / 4	2	120	:
ChSq	027	Dream A	4 / 4	2	136	:
ChSq	028	Ibiza B	4 / 4	1	135	:
ChSq	029	Ibiza C	4 / 4	2	135	:
ChSq	030	Ibiza D	4 / 4	2	135	:
ChSq	031	Ibiza E	4 / 4	2	135	:
ChSq	032	Ibiza A	4 / 4	8	135	:
ChSq	033	Ibiza G	4 / 4	1	135	:
ChSq	034	Ibiza H	4 / 4	1	135	:
ChSq	035	Garage2C	4 / 4	2	127	:
ChSq	036	Garage2D	4 / 4	2	127	:
ChSq	037	Garage2E	4 / 4	2	127	:
ChSq	038	Garage2A	4 / 4	2	127	:
ChSq	039	Garage2F	4 / 4	2	127	:
ChSq	040	ChllOutB	4 / 4	2	79	:
ChSq	041	ChllOutC	4 / 4	2	79	:
ChSq	042	ChllOutG	4 / 4	1	79	:
HySq	001	Hybrid1	4 / 4	1	130	:
HySq	002	Hybrid2	4 / 4	1	130	:
HySq	003	Hybrid3	4 / 4	1	130	:
HySq	004	Hybrid4	4 / 4	1	130	:
HySq	005	Hybrid5	4 / 4	1	95	:
HySq	006	Hybrid6	4 / 4	1	130	:
HySq	007	Hybrid7	4 / 4	1	130	:
HySq	008	Hybrid8	4 / 4	1	90	:
HySq	009	Hybrid9	4 / 4	1	130	:
HySq	010	Hybrid10	4 / 4	1	130	:
HySq	011	Hybrid11	4 / 4	1	130	:
HySq	012	Hybrid12	4 / 4	1	90	:
HySq	013	Hybrid13	4 / 4	1	130	:
HySq	014	Hybrid14	4 / 4	1	130	:
HySq	015	Hybrid15	4 / 4	1	130	:
HySq	016	Hybrid16	4 / 4	1	106	:
HySq	017	Hybrid17	4 / 4	1	130	:
HySq	018	Hybrid18	4 / 4	1	110	:
HySq	019	Hybrid19	4 / 4	1	100	:
HySq	020	Hybrid20	4 / 4	1	116	:
HySq	021	Hybr1CF1	4 / 4	1	130	:
HySq	022	Hybr1CF2	4 / 4	1	130	:
HySq	023	Hybr1CF3	4 / 4	1	130	:
HySq	024	Hybr1CF4	4 / 4	1	130	:
HySq	025	Hybr3 CF	4 / 4	1	120	:
HySq	026	Hybr21CF	4 / 4	1	100	:
HySq	027	Hybr22CF	4 / 4	1	138	:
HySq	028	Hybr23CF	4 / 4	1	130	:
HySq	029	Hybr24CF	4 / 4	1	130	:
HySq	030	Hybr25CF	4 / 4	1	96	:
HySq	031	HybVel 1*	4 / 4	1	96	:
HySq	032	HybVel 2*	4 / 4	1	96	:
HySq	033	HybVel 3*	4 / 4	1	96	:
HySq	034	HybVel 4*	4 / 4	1	96	:
HySq	035	HybVel 5*	4 / 4	1	96	:
HySq	036	HybVel 6*	4 / 4	1	96	:
HySq	037	HybVel 7*	4 / 4	1	96	:
HySq	038	HybVel 8*	4 / 4	1	96	:
HySq	039	HybVel 9*	4 / 4	2	120	:
HySq	040	HybVel10*	4 / 4	2	120	:

Category	Arp#	ARP Name	Time Signature	Length	Original Tempo	Voice Type
HySq	041	HybVel11*	4 / 4	2	120	Syn Comp/Lead
HySq	042	HybVel12*	4 / 4	2	120	:
HySq	043	HybVel13*	4 / 4	2	120	:
HySq	044	HybVel14*	4 / 4	2	120	:
HySq	045	HybVel15*	4 / 4	2	120	:
HySq	046	HybVel16*	4 / 4	2	120	:
ApKb	001	PfArp1	4 / 4	2	64	A.Piano/E.Piano
ApKb	002	PfArp2	4 / 4	2	74	:
ApKb	003	PfArp3	4 / 4	2	124	:
ApKb	004	PfArp4	4 / 4	2	130	:
ApKb	005	PfArp5	4 / 4	2	130	:
ApKb	006	PfArp6	4 / 4	2	130	:
ApKb	007	PfArp7	4 / 4	2	130	:
ApKb	008	PfArp8	4 / 4	2	65	:
ApKb	009	PfArp9	4 / 4	1	116	:
ApKb	010	PfArp10	4 / 4	1	96	:
ApKb	011	PfArp11	4 / 4	1	82	:
ApKb	012	PfArp12	4 / 4	1	90	:
ApKb	013	PfArp13	4 / 4	1	90	:
ApKb	014	PfArp14	4 / 4	1	90	:
ApKb	015	PfArp15	4 / 4	1	90	:
ApKb	016	PfArp16	4 / 4	1	90	:
ApKb	017	PfArp17	4 / 4	1	100	:
ApKb	018	PfArp18	4 / 4	1	90	:
ApKb	019	PfArp19	4 / 4	1	84	:
ApKb	020	PfArp20	4 / 4	1	90	:
ApKb	021	PfArp21	4 / 4	1	86	:
ApKb	022	PfArp22	4 / 4	1	90	:
ApKb	023	PfArp23	4 / 4	1	90	:
ApKb	024	PfArp24	4 / 4	2	130	:
ApKb	025	PfArp25	4 / 4	2	130	:
ApKb	026	PfArp26	4 / 4	2	130	:
ApKb	027	PfArp27	4 / 4	2	130	:
ApKb	028	PfArp28	4 / 4	2	120	:
ApKb	029	PfArp29	4 / 4	1	74	:
ApKb	030	BlldEP1	4 / 4	2	74	Electric Piano
ApKb	031	BlldEP2	4 / 4	2	74	:
ApKb	032	BlldEP3	4 / 4	2	74	:
ApKb	033	EpChords	4 / 4	2	101	:
ApKb	034	SwingEP	4 / 4	1	101	:
ApKb	035	Clavi1	4 / 4	1	110	Clavi
ApKb	036	Clavi2	4 / 4	1	110	:
ApKb	037	Clavi3	4 / 4	1	110	:
ApKb	038	Clavi4	4 / 4	1	124	:
ApKb	039	Clavi5	4 / 4	1	124	:
ApKb	040	Clavi6	4 / 4	1	124	:
ApKb	041	Clavi7	4 / 4	1	124	:
ApKb	042	SuperClv	4 / 4	4	101	:
ApKb	043	TouchClv	4 / 4	1	101	:
ApKb	044	SynClavi	4 / 4	1	126	:
ApKb	045	RocknPF	4 / 4	4	130	Acoustic Piano
ApKb	046	70sRockB	4 / 4	2	130	:
ApKb	047	70sRockC	4 / 4	1	130	:
ApKb	048	70sRockD	4 / 4	2	130	:
ApKb	049	70sRockE	4 / 4	4	130	:
ApKb	050	70sRockF	4 / 4	2	130	:
ApKb	051	70sRockG	4 / 4	1	130	:
ApKb	052	70sRockH	4 / 4	1	130	:
ApKb	053	PnClubD1	4 / 4	1	96	:
ApKb	054	PnClubE1	4 / 4	1	96	:
ApKb	055	PnClubA1	4 / 4	1	96	:
ApKb	056	PnClubE2	4 / 4	2	96	:
ApKb	057	PnClubA2	4 / 4	2	96	:
ApKb	058	PnClubD3	4 / 4	2	96	Electric Piano
ApKb	059	PnClubA3	4 / 4	2	96	:
ApKb	060	Slowfl B	4 / 4	1	74	:
ApKb	061	Slowfl C	4 / 4	1	74	:
ApKb	062	Slowfl D	4 / 4	1	74	:
ApKb	063	Slowfl E	4 / 4	1	74	:
ApKb	064	Slowfl F	4 / 4	1	74	:
ApKb	065	Slowfl H	4 / 4	1	74	:
ApKb	066	AnaPopC1	4 / 4	2	93	:
ApKb	067	AnaPopD2	4 / 4	2	93	Clavi
ApKb	068	AnaPopA2	4 / 4	1	93	:
ApKb	069	Soul B	4 / 4	2	117	Acoustic Piano
ApKb	070	Soul C	4 / 4	1	117	:

Category	Arp#	ARP Name	Time Signature	Length	Original Tempo	Voice Type
ApKb	071	Soul D	4 / 4	4	117	Acoustic Piano
ApKb	072	Soul E	4 / 4	4	117	:
ApKb	073	Soul F	4 / 4	4	117	:
ApKb	074	CoolFnkE	4 / 4	2	96	Electric Piano
ApKb	075	CoolFnkA	4 / 4	2	96	:
ApKb	076	CoolFnkG	4 / 4	1	96	:
ApKb	077	CoolFnkH	4 / 4	1	96	:
ApKb	078	Smooth1C	4 / 4	2	115	:
ApKb	079	Smooth1D	4 / 4	2	115	:
ApKb	080	HipHp1B1	4 / 4	2	105	Harpichord
ApKb	081	HipHp1C1	4 / 4	2	105	:
ApKb	082	HipHp1D1	4 / 4	2	105	:
ApKb	083	HipHp1H1	4 / 4	1	105	:
ApKb	084	HipHp1B2	4 / 4	2	105	Clavi
ApKb	085	HipHp1C2	4 / 4	2	105	:
ApKb	086	HipHp1D2	4 / 4	2	105	:
ApKb	087	HipHp1H2	4 / 4	1	105	:
ApKb	088	HipHop2F	4 / 4	2	94	:
ApKb	089	ClsHipB1	4 / 4	1	90	Acoustic Piano
ApKb	090	ClsHipC1	4 / 4	1	90	:
ApKb	091	ClsHipA2	4 / 4	2	90	Electric Piano
ApKb	092	NewGos B	4 / 4	2	90	:
ApKb	093	NewGos C	4 / 4	2	90	:
ApKb	094	NewGos D	4 / 4	2	90	:
ApKb	095	NewGos E	4 / 4	2	90	:
ApKb	096	NewGos F	4 / 4	2	90	:
ApKb	097	NewGos G	4 / 4	1	90	:
ApKb	098	6/8R&BB1	4 / 4	2	61	Acoustic Piano
ApKb	099	6/8R&BC1	4 / 4	2	61	:
ApKb	100	6/8R&BD1	4 / 4	2	61	:
ApKb	101	6/8R&BE1	4 / 4	2	61	:
ApKb	102	6/8R&BA1	4 / 4	2	61	:
ApKb	103	6/8R&BG1	4 / 4	1	61	:
ApKb	104	6/8R&BH1	4 / 4	1	61	:
ApKb	105	6/8R&BB2	4 / 4	2	61	Electric Piano
ApKb	106	6/8R&BC2	4 / 4	2	61	:
ApKb	107	6/8R&BD2	4 / 4	2	61	:
ApKb	108	6/8R&BE2	4 / 4	2	61	:
ApKb	109	6/8R&BA2	4 / 4	2	61	:
ApKb	110	6/8R&BG2	4 / 4	1	61	:
ApKb	111	6/8R&BH2	4 / 4	1	61	:
ApKb	112	CmbJazzB	4 / 4	4	204	Acoustic Piano
ApKb	113	CmbJazzC	4 / 4	4	204	:
ApKb	114	CmbJazzD	4 / 4	4	204	:
ApKb	115	CmbJazzE	4 / 4	4	204	:
ApKb	116	CmbJazzG	4 / 4	1	204	:
ApKb	117	ClubHs E	4 / 4	1	128	Electric Piano
ApKb	118	ClubHs F	4 / 4	2	128	:
ApKb	119	Garage2B	4 / 4	2	127	:
ApKb	120	Disco B	4 / 4	2	110	:
ApKb	121	Disco E	4 / 4	2	110	:
ApKb	122	Disco F	4 / 4	2	110	:
ApKb	123	Disco H	4 / 4	1	110	:
ApKb	124	HousePf1	4 / 4	2	130	Acoustic Piano
ApKb	125	HousePf2	4 / 4	1	130	:
ApKb	126	HousePf3	4 / 4	1	130	:
ApKb	127	HousePf4	4 / 4	1	130	:
ApKb	128	HousePf5	4 / 4	1	130	:
ApKb	129	DAHouse	4 / 4	2	120	:
ApKb	130	LatinHsA	4 / 4	2	138	:
ApKb	131	LatinHsF	4 / 4	2	138	:
ApKb	132	LatinHsG	4 / 4	2	138	:
ApKb	133	LatnRkB1	4 / 4	2	120	:
ApKb	134	LatnRkE1	4 / 4	4	120	:
ApKb	135	LatnRkH1	4 / 4	1	120	:
ApKb	136	LatnRkD2	4 / 4	2	120	:
ApKb	137	LatnRkG2	4 / 4	1	120	:
ApKb	138	Samba B	4 / 4	1	114	:
ApKb	139	Samba C	4 / 4	4	114	:
ApKb	140	Samba D	4 / 4	4	114	:
ApKb	141	PhoLatin	4 / 4	2	120	:
ApKb	142	Salsa B	4 / 4	1	123	:
ApKb	143	Salsa C	4 / 4	1	123	:
ApKb	144	Salsa D	4 / 4	2	123	:
ApKb	145	Salsa E	4 / 4	4	123	:
ApKb	146	Salsa F	4 / 4	2	123	:

Category	Arp#	ARP Name	Time Signature	Length	Original Tempo	Voice Type
ApKb	147	MontunoB	4 / 4	1	100	Acoustic Piano
ApKb	148	MontunoD	4 / 4	2	100	:
ApKb	149	MontunoE	4 / 4	2	100	:
ApKb	150	MontunoF	4 / 4	1	100	:
ApKb	151	MontunoG	4 / 4	1	100	:
ApKb	152	Regge2C1	4 / 4	2	92	Electric Piano
ApKb	153	Regge2E1	4 / 4	2	92	:
ApKb	154	Regge2G1	4 / 4	1	92	:
ApKb	155	Regge2H1	4 / 4	1	92	:
ApKb	156	Regge2B2	4 / 4	2	92	Clavi
ApKb	157	Regge2C2	4 / 4	2	92	:
ApKb	158	Regge2E2	4 / 4	2	92	:
ApKb	159	Regge2A2	4 / 4	2	92	:
ApKb	160	Regge2G2	4 / 4	1	92	:
Orgn	001	FunkOrg1**	4 / 4	2	110	Organ
Orgn	002	FunkOrg2**	4 / 4	2	110	:
Orgn	003	Funk2 C	4 / 4	4	130	:
Orgn	004	Soul B	4 / 4	1	117	:
Orgn	005	Soul C	4 / 4	4	117	:
Orgn	006	Soul H	4 / 4	1	117	:
Orgn	007	HipHop1E	4 / 4	2	105	:
Orgn	008	HipHop1F	4 / 4	2	105	:
Orgn	009	HouseOr1	4 / 4	1	130	:
Orgn	010	HouseOr2	4 / 4	1	130	:
Orgn	011	HouseOr3	4 / 4	1	130	:
Orgn	012	HouseOr4	4 / 4	1	130	:
Orgn	013	HouseOr5	4 / 4	2	126	:
Orgn	014	LatinOrg**	4 / 4	1	110	:
Orgn	015	LatinRkB	4 / 4	2	120	:
Orgn	016	LatinRkC	4 / 4	2	120	:
Orgn	017	ReggeOr1**	4 / 4	2	120	:
Orgn	018	ReggeOr2**	4 / 4	1	120	:
Orgn	019	Reggae1B	4 / 4	4	102	:
Orgn	020	Reggae1C	4 / 4	4	102	:
Orgn	021	Reggae1E	4 / 4	4	90	:
Orgn	022	Reggae1H	4 / 4	1	102	:
Orgn	023	Reggae2B	4 / 4	1	92	:
Orgn	024	Reggae2C	4 / 4	2	92	:
Orgn	025	Reggae2D	4 / 4	2	92	:
Orgn	026	Reggae2E	4 / 4	1	92	:
Orgn	027	Reggae2A	4 / 4	2	92	:
Orgn	028	Reggae2H	4 / 4	1	92	:
GtPI	001	Strum1	4 / 4	1	120	Acoustic Guitar
GtPI	002	Strum2	4 / 4	2	120	:
GtPI	003	Strum3	4 / 4	4	120	:
GtPI	004	Strum4	4 / 4	2	120	:
GtPI	005	Strum5	4 / 4	2	120	:
GtPI	006	Strum6	4 / 4	2	120	:
GtPI	007	Strum7	4 / 4	2	120	:
GtPI	008	Strum8	4 / 4	2	120	:
GtPI	009	Strum9	4 / 4	2	120	:
GtPI	010	Strum10	4 / 4	2	120	:
GtPI	011	RolliArp	4 / 4	4	60	:
GtPI	012	12Guitr1	4 / 4	1	97	:
GtPI	013	12Guitr2	4 / 4	1	100	:
GtPI	014	Pickin1	4 / 4	3	120	:
GtPI	015	Pickin2	4 / 4	2	120	:
GtPI	016	Pickin3	4 / 4	2	120	:
GtPI	017	Guit1Arp	4 / 4	1	120	:
GtPI	018	Guit2Arp	4 / 4	1	120	Clean Guitar
GtPI	019	Guit3Arp	4 / 4	1	120	:
GtPI	020	Guit4Arp	4 / 4	1	120	:
GtPI	021	CleanGt1	4 / 4	2	120	:
GtPI	022	CleanGt2	4 / 4	2	120	:
GtPI	023	CleanGt3	4 / 4	2	120	:
GtPI	024	CleanGt4	4 / 4	2	120	:
GtPI	025	Funky1	4 / 4	2	120	:
GtPI	026	Funky2	4 / 4	2	120	:
GtPI	027	Funky3	4 / 4	2	120	:
GtPI	028	Funky4	4 / 4	1	120	:
GtPI	029	FunkGtr	4 / 4	2	116	:
GtPI	030	Spanky	4 / 4	2	105	:
GtPI	031	News1	4 / 4	2	120	:
GtPI	032	News2	4 / 4	2	120	:
GtPI	033	RockGtr1	4 / 4	1	120	Od/Dist Guitar
GtPI	034	RockGtr2	4 / 4	1	120	:

Category	Arp#	ARP Name	Time Signature	Length	Original Tempo	Voice Type
GitPI	035	RockGtr3	4 / 4	1	120	Od/Dist Guitar
GitPI	036	Lick1	4 / 4	4	120	:
GitPI	037	Lick2	4 / 4	4	120	:
GitPI	038	Lick3	4 / 4	4	120	:
GitPI	039	Lick4	4 / 4	2	120	:
GitPI	040	Lick5	4 / 4	4	120	:
GitPI	041	Lick6	4 / 4	1	120	:
GitPI	042	Slowfl B	4 / 4	1	74	Acoustic Guitar
GitPI	043	Slowfl C	4 / 4	1	74	:
GitPI	044	Slowfl E	4 / 4	1	74	Mute Guitar
GitPI	045	GtrPopB1	4 / 4	2	90	Acoustic Guitar
GitPI	046	GtrPopC1	4 / 4	1	90	:
GitPI	047	GtrPopD1	4 / 4	2	90	:
GitPI	048	GtrPopA1	4 / 4	1	90	:
GitPI	049	GtrPopB2	4 / 4	1	90	:
GitPI	050	GtrPopA2	4 / 4	1	90	:
GitPI	051	FngrPckB	4 / 4	2	94	:
GitPI	052	FngrPckC	4 / 4	2	94	:
GitPI	053	FngrPckD	4 / 4	2	94	:
GitPI	054	FngrPckE	4 / 4	3	94	:
GitPI	055	FngrPckA	4 / 4	1	94	:
GitPI	056	FngrPckG	4 / 4	1	94	:
GitPI	057	FngrPckH	4 / 4	1	94	:
GitPI	058	XovrRkD1	4 / 4	2	100	Distortion Gt
GitPI	059	XovrRkE1	4 / 4	2	100	:
GitPI	060	XovrRkF1	4 / 4	2	100	:
GitPI	061	XovrRkH1	4 / 4	1	100	:
GitPI	062	XovrRkB2	4 / 4	2	100	Jazz Guitar
GitPI	063	XovrRkC2	4 / 4	1	100	:
GitPI	064	XovrRkA2	4 / 4	2	100	:
GitPI	065	XovrRkG2	4 / 4	1	100	:
GitPI	066	Smooth1B	4 / 4	2	115	Acoustic Guitar
GitPI	067	Smooth1C	4 / 4	2	115	:
GitPI	068	Smooth1D	4 / 4	2	115	:
GitPI	069	Smooth1E	4 / 4	2	115	:
GitPI	070	Smooth1A	4 / 4	1	115	:
GitPI	071	Smooth1F	4 / 4	2	115	:
GitPI	072	Smooth1G	4 / 4	1	115	:
GitPI	073	Smooth1H	4 / 4	1	115	:
GitPI	074	NewR&B2B	4 / 4	2	90	:
GitPI	075	NewR&B2C	4 / 4	2	90	:
GitPI	076	NewR&B2D	4 / 4	2	90	:
GitPI	077	NewR&B2E	4 / 4	2	90	:
GitPI	078	FlpHp1B1	4 / 4	1	132	Mute Guitar
GitPI	079	FlpHp1C1	4 / 4	2	132	:
GitPI	080	FlpHp1D1	4 / 4	2	132	:
GitPI	081	FlpHp1E1	4 / 4	2	132	:
GitPI	082	FlpHp1F1	4 / 4	1	132	:
GitPI	083	FlpHp1G1	4 / 4	1	132	:
GitPI	084	FlpHp1B2	4 / 4	1	132	Acoustic Guitar
GitPI	085	FlpHp1C2	4 / 4	1	132	:
GitPI	086	FlpHp1F2	4 / 4	2	132	:
GitPI	087	HipHop2B	4 / 4	2	94	Mute Guitar
GitPI	088	HipHop2D	4 / 4	2	94	:
GitPI	089	HipHop2E	4 / 4	2	94	:
GitPI	090	HipHop2A	4 / 4	2	94	:
GitPI	091	HipHp3B1	4 / 4	2	104	Acoustic Guitar
GitPI	092	HipHp3C1	4 / 4	2	104	:
GitPI	093	HipHp3D1	4 / 4	2	104	:
GitPI	094	HipHp3E1	4 / 4	2	104	:
GitPI	095	HipHp3F1	4 / 4	2	104	:
GitPI	096	HipHp3B2	4 / 4	2	104	Mute Guitar
GitPI	097	HipHp3C2	4 / 4	2	104	:
GitPI	098	HipHp3E2	4 / 4	2	104	:
GitPI	099	HipHp3F2	4 / 4	2	104	:
GitPI	100	HipHp3G2	4 / 4	1	104	:
GitPI	101	NewGos B	4 / 4	2	90	:
GitPI	102	NewGos C	4 / 4	2	90	:
GitPI	103	NewGos D	4 / 4	2	90	:
GitPI	104	NewGos E	4 / 4	2	90	:
GitPI	105	NewGos A	4 / 4	1	90	:
GitPI	106	NewGos F	4 / 4	2	90	:
GitPI	107	NewGos G	4 / 4	1	90	:
GitPI	108	NewGos H	4 / 4	1	90	:
GitPI	109	6/8R&B E	4 / 4	2	61	Clean Guitar
GitPI	110	6/8R&B F	4 / 4	2	61	:

Category	Arp#	ARP Name	Time Signature	Length	Original Tempo	Voice Type
GitPI	111	6/8R&B G	4 / 4	1	61	Clean Guitar
GitPI	112	6/8R&B H	4 / 4	1	61	:
GitPI	113	CmbJazzB	4 / 4	4	204	Jazz Guitar
GitPI	114	CmbJazzC	4 / 4	4	204	:
GitPI	115	CmbJazzD	4 / 4	4	204	:
GitPI	116	CmbJazzE	4 / 4	4	204	:
GitPI	117	CmbJazzA	4 / 4	4	204	:
GitPI	118	CmbJazzF	4 / 4	4	204	:
GitPI	119	CmbJazzG	4 / 4	1	204	:
GitPI	120	CmbJazzH	4 / 4	1	204	:
GitPI	121	ChllOutB	4 / 4	2	79	Clean Guitar
GitPI	122	Disco C	4 / 4	2	110	Mute Guitar
GitPI	123	Disco D	4 / 4	2	110	:
GitPI	124	Disco E	4 / 4	2	110	:
GitPI	125	Disco F	4 / 4	2	110	:
GitPI	126	Disco H	4 / 4	1	110	:
GitPI	127	LatinRkD	4 / 4	2	120	Clean Guitar
GitPI	128	LatinRkH	4 / 4	1	120	:
GitPI	129	LatinPH1	4 / 4	2	120	Acoustic Guitar
GitPI	130	LatinPH2	4 / 4	2	120	:
GitPI	131	LatinPH3	4 / 4	1	120	:
GitPI	132	Samba B	4 / 4	4	114	:
GitPI	133	Samba C	4 / 4	4	114	:
GitPI	134	Samba E	4 / 4	4	114	:
GitPI	135	Samba A	4 / 4	2	114	:
GitPI	136	MontunoB	4 / 4	2	100	:
GitPI	137	MontunoC	4 / 4	2	100	:
GitPI	138	MontnoD1	4 / 4	2	100	:
GitPI	139	MontnoD2	4 / 4	4	100	:
GitPI	140	MontnoE1	4 / 4	2	100	:
GitPI	141	MontnoE2	4 / 4	2	100	:
GitPI	142	MontunoA	4 / 4	2	100	:
GitPI	143	MontunoF	4 / 4	1	100	:
GitPI	144	MontunoG	4 / 4	1	100	:
GitPI	145	Regge1B1	4 / 4	1	102	Clean Guitar
GitPI	146	Regge1C1	4 / 4	2	102	:
GitPI	147	Regge1E1	4 / 4	2	90	:
GitPI	148	Regge1A1	4 / 4	1	102	:
GitPI	149	Regge1F1	4 / 4	2	96	:
GitPI	150	Regge1B2	4 / 4	4	102	Mute Guitar
GitPI	151	Regge1C2	4 / 4	4	102	:
GitPI	152	Reggae2B	4 / 4	2	92	Clean Guitar
GitPI	153	Reggae2C	4 / 4	1	92	:
GitPI	154	Reggae2A	4 / 4	2	92	:
GitPI	155	SpanshB1	4 / 4	2	120	Acoustic Guitar
GitPI	156	SpanshC1	4 / 4	2	120	:
GitPI	157	SpanshE1	4 / 4	2	120	:
GitPI	158	SpanshG1	4 / 4	1	120	:
GitPI	159	SpanshH1	4 / 4	1	120	:
GitPI	160	SpanshA2	4 / 4	4	120	:
GitPI	161	SpanshF2	4 / 4	3	120	:
GitPI	162	TurkshC1	4 / 4	2	105	Kanun
GitPI	163	TurkshE1	9 / 8	2	125	:
GitPI	164	TurkshA1	4 / 4	2	86	:
GitPI	165	TurkshF1	4 / 4	2	105	:
GitPI	166	TurkshG2	4 / 4	2	105	Oud
GitPI	167	TurkshB3	4 / 4	2	105	Saz
GitPI	168	Harp1	4 / 4	2	120	Harp
GitPI	169	Harp2	4 / 4	2	120	:
GitPI	170	Harp3	4 / 4	1	120	:
GitPI	171	Harp4	4 / 4	1	120	:
GitPI	172	NewR&B1D	4 / 4	1	97	:
GitPI	173	NewR&B1E	4 / 4	1	97	:
GitPI	174	HipHp3E3	4 / 4	2	104	:
GitKM	001	KM StGt1	4 / 4	4	138	"Mega Steel"
GitKM	002	KM StGt2	4 / 4	4	138	:
GitKM	003	KM StGt3	4 / 4	4	138	:
GitKM	004	KM StGt4	4 / 4	4	138	:
GitKM	005	Unplug B	4 / 4	4	120	:
GitKM	006	Unplug C	4 / 4	2	120	:
GitKM	007	Unplug D	4 / 4	2	120	:
GitKM	008	Unplug E	4 / 4	2	120	:
GitKM	009	Unplug G	4 / 4	1	120	:
GitKM	010	Unplug H	4 / 4	1	120	:
GitKM	011	FolkRkB1	4 / 4	2	118	:
GitKM	012	FolkRkC1	4 / 4	2	118	:

Category	Arp#	ARP Name	Time Signature	Length	Original Tempo	Voice Type
GtKM	013	FolkRkA1	4 / 4	1	118	"Mega Steel"
GtKM	014	SoftRkB1	4 / 4	4	75	:
GtKM	015	SoftRkC1	4 / 4	4	75	:
GtKM	016	SoftRkD1	4 / 4	2	75	:
GtKM	017	SoftRkE1	4 / 4	2	75	:
GtKM	018	SoftRkA1	4 / 4	1	75	:
GtKM	019	SoftRkG1	4 / 4	1	75	:
GtKM	020	SoftRkH1	4 / 4	1	75	:
GtKM	021	FngrPckB	4 / 4	2	94	:
GtKM	022	FngrPckC	4 / 4	2	94	:
GtKM	023	FngrPckD	4 / 4	2	94	:
GtKM	024	FngrPckE	4 / 4	2	94	:
GtKM	025	FngrPckA	4 / 4	2	94	:
GtKM	026	FngrPckG	4 / 4	1	94	:
GtKM	027	FngrPckH	4 / 4	1	94	:
GtKM	028	NewR&B1B	4 / 4	1	97	:
GtKM	029	NewR&B1C	4 / 4	1	97	:
GtKM	030	NewR&B1D	4 / 4	1	97	:
GtKM	031	NewR&B1A	4 / 4	2	97	:
GtKM	032	NewR&B1G	4 / 4	1	97	:
GtKM	033	NewR&B1H	4 / 4	1	97	:
GtKM	034	ChlOutB	4 / 4	1	79	:
GtKM	035	ChlOutD	4 / 4	2	79	:
GtKM	036	ChlOutE	4 / 4	2	79	:
GtKM	037	ChlOutC	4 / 4	2	79	:
GtKM	038	RtroPpB1	4 / 4	2	126	:
GtKM	039	LatinRkC	4 / 4	1	120	:
GtKM	040	LatinRkD	4 / 4	2	120	:
GtKM	041	SpanishB	4 / 4	2	120	:
GtKM	042	SpanishC	4 / 4	2	120	:
GtKM	043	SpanishD	4 / 4	2	120	:
GtKM	044	SpanishE	4 / 4	2	120	:
GtKM	045	SpanishA	4 / 4	4	120	:
GtKM	046	SpanishG	4 / 4	1	120	:
GtKM	047	SpanishH	4 / 4	1	120	:
GtKM	048	KM 12Gt1	4 / 4	4	118	"Mega 12str"
GtKM	049	KM 12Gt2	4 / 4	4	118	:
GtKM	050	KM 12Gt3	4 / 4	4	118	:
GtKM	051	KM 12Gt4	4 / 4	4	118	:
GtKM	052	KM 12Gt5	4 / 4	4	118	:
GtKM	053	FolkRkB2	4 / 4	2	118	:
GtKM	054	FolkRkC2	4 / 4	2	118	:
GtKM	055	FolkRkD2	4 / 4	2	118	:
GtKM	056	FolkRkA2	4 / 4	1	118	:
GtKM	057	KM ClGt1	4 / 4	4	107	"Mega Clean"
GtKM	058	KM ClGt2	4 / 4	4	107	:
GtKM	059	KM ClGt3	4 / 4	4	107	:
GtKM	060	KM ClGt4	4 / 4	4	107	:
GtKM	061	KM ClGt5	4 / 4	4	107	:
GtKM	062	Funk2 B	4 / 4	2	130	:
GtKM	063	Funk2 C	4 / 4	2	130	:
GtKM	064	Funk2 D	4 / 4	1	130	:
GtKM	065	Funk2 E	4 / 4	2	130	:
GtKM	066	Funk2 A	4 / 4	2	130	:
GtKM	067	Funk2 F	4 / 4	1	130	:
GtKM	068	Funk2 H	4 / 4	1	130	:
GtKM	069	Funk3 B	4 / 4	2	132	:
GtKM	070	Funk3 C	4 / 4	1	132	:
GtKM	071	Funk3 D	4 / 4	1	132	:
GtKM	072	Funk3 E	4 / 4	4	132	:
GtKM	073	Funk3 A	4 / 4	1	132	:
GtKM	074	Funk3 F	4 / 4	2	132	:
GtKM	075	Funk3 H	4 / 4	1	132	:
GtKM	076	CoolFnkB	4 / 4	2	96	:
GtKM	077	CoolFnkC	4 / 4	1	96	:
GtKM	078	CoolFnkE	4 / 4	2	96	:
GtKM	079	CoolFnkA	4 / 4	2	96	:
GtKM	080	CoolFnkF	4 / 4	1	96	:
GtKM	081	Soul B	4 / 4	1	117	:
GtKM	082	Soul C	4 / 4	1	117	:
GtKM	083	Soul D	4 / 4	1	117	:
GtKM	084	Soul E	4 / 4	4	117	:
GtKM	085	Soul F	4 / 4	4	117	:
GtKM	086	ClHipC1	4 / 4	2	90	:
GtKM	087	ClHipD1	4 / 4	2	90	:
GtKM	088	ClHipB2	4 / 4	2	90	:

Category	Arp#	ARP Name	Time Signature	Length	Original Tempo	Voice Type
GtKM	089	ClHipC2	4 / 4	2	90	"Mega Clean"
GtKM	090	ClHipD2	4 / 4	2	90	:
GtKM	091	ClHipA2	4 / 4	4	90	:
GtKM	092	ClHipE3	4 / 4	2	90	:
GtKM	093	ClHipF3	4 / 4	2	90	:
GtKM	094	70sRckB1	4 / 4	2	130	:
GtKM	095	70sRckC1	4 / 4	2	130	:
GtKM	096	70sRckD1	4 / 4	4	130	:
GtKM	097	70sRckE1	4 / 4	2	130	:
GtKM	098	FolkRkD3	4 / 4	2	118	:
GtKM	099	FolkRkE3	4 / 4	2	118	:
GtKM	100	FolkRkG3	4 / 4	1	118	:
GtKM	101	AnaPop B	4 / 4	2	93	:
GtKM	102	AnaPop D	4 / 4	1	93	:
GtKM	103	AnaPop A	4 / 4	1	93	:
GtKM	104	ClubHs B	4 / 4	2	128	:
GtKM	105	ClubHs C	4 / 4	2	128	:
GtKM	106	ClubHs D	4 / 4	2	128	:
GtKM	107	ClubHs E	4 / 4	2	128	:
GtKM	108	ClubHs A	4 / 4	4	128	:
GtKM	109	ClubHs F	4 / 4	4	128	:
GtKM	110	ClubHs G	4 / 4	1	128	:
GtKM	111	ClubHs H	4 / 4	1	128	:
GtKM	112	RtroPpB2	4 / 4	2	126	:
GtKM	113	KM OdGt1	4 / 4	4	120	"Mega OvrDv"
GtKM	114	KM OdGt2	4 / 4	4	120	:
GtKM	115	KM OdGt3	4 / 4	4	120	:
GtKM	116	KM OdGt4	4 / 4	4	120	:
GtKM	117	KM OdGt5	4 / 4	4	120	:
GtKM	118	70sRckC2	4 / 4	4	130	:
GtKM	119	70sRckD2	4 / 4	2	130	:
GtKM	120	70sRckE2	4 / 4	2	130	:
GtKM	121	70sRckF2	4 / 4	2	130	:
GtKM	122	70sRckB3	4 / 4	2	130	"Mega Dist"
GtKM	123	70sRckC3	4 / 4	2	130	:
GtKM	124	70sRckD3	4 / 4	1	130	:
GtKM	125	70sRckE3	4 / 4	4	130	:
GtKM	126	SoftRkE2	4 / 4	2	75	:
GtKM	127	SoftRkH2	4 / 4	1	75	:
GtKM	128	OverTop1	4 / 4	2	120	"OverTheTop"
GtKM	129	OverTop2	4 / 4	2	120	:
GtKM	130	OverTop3	4 / 4	2	120	:
GtKM	131	OverTop4	4 / 4	4	120	:
GtKM	132	OverTop5	4 / 4	4	120	:
Bass	001	FngrBas1	4 / 4	1	115	Finger Bass
Bass	002	FngrBas2	4 / 4	1	115	:
Bass	003	FngrBas3	4 / 4	3	115	:
Bass	004	FngrBas4	4 / 4	1	115	:
Bass	005	FngrBas5	4 / 4	1	115	:
Bass	006	FngrBas6	4 / 4	1	115	:
Bass	007	FngrBas7	4 / 4	2	120	:
Bass	008	FngrBas8	4 / 4	2	150	:
Bass	009	FngrBas9	4 / 4	2	150	:
Bass	010	FngrBa10	4 / 4	2	89	:
Bass	011	FngrBa11	4 / 4	2	89	:
Bass	012	FngrBa12	4 / 4	1	115	:
Bass	013	FngrBa13	4 / 4	1	115	:
Bass	014	FngrBa14	4 / 4	1	115	:
Bass	015	PnoClubB	4 / 4	2	96	:
Bass	016	PnoClubC	4 / 4	2	96	:
Bass	017	PnoClubD	4 / 4	2	96	:
Bass	018	PnoClubE	4 / 4	1	96	:
Bass	019	PnoClubA	4 / 4	2	96	:
Bass	020	PnoClubF	4 / 4	4	96	:
Bass	021	PnoClubG	4 / 4	1	96	:
Bass	022	PnoClubH	4 / 4	1	96	:
Bass	023	CoolFnkB	4 / 4	2	96	:
Bass	024	CoolFnkC	4 / 4	2	96	:
Bass	025	CoolFnkD	4 / 4	2	96	:
Bass	026	CoolFnkE	4 / 4	4	96	:
Bass	027	CoolFnkA	4 / 4	2	96	:
Bass	028	CoolFnkF	4 / 4	1	96	:
Bass	029	CoolFnkG	4 / 4	1	96	:
Bass	030	CoolFnkH	4 / 4	1	96	:
Bass	031	SlapBas1	4 / 4	3	120	Slap Bass
Bass	032	SlapBas2	4 / 4	1	120	:

Category	Arp#	ARP Name	Time Signature	Length	Original Tempo	Voice Type
Bass	033	Walkin	4 / 4	3	103	Acoustic Bass
Bass	034	CmbJazB1	4 / 4	4	204	:
Bass	035	CmbJazB2	4 / 4	4	204	:
Bass	036	CmbJazB3	4 / 4	4	204	:
Bass	037	CmbJazB4	4 / 4	4	204	:
Bass	038	CmbJazC1	4 / 4	4	204	:
Bass	039	CmbJazC2	4 / 4	4	204	:
Bass	040	CmbJazC3	4 / 4	4	204	:
Bass	041	CmbJazC4	4 / 4	4	204	:
Bass	042	CmbJazD1	4 / 4	4	204	:
Bass	043	CmbJazD2	4 / 4	4	204	:
Bass	044	CmbJazD3	4 / 4	4	204	:
Bass	045	CmbJazD4	4 / 4	4	204	:
Bass	046	CmbJazE1	4 / 4	4	204	:
Bass	047	CmbJazE2	4 / 4	4	204	:
Bass	048	CmbJazE3	4 / 4	4	204	:
Bass	049	CmbJazE4	4 / 4	4	204	:
Bass	050	CmbJazzA	4 / 4	4	204	:
Bass	051	CmbJazzF	4 / 4	4	204	:
Bass	052	CmbJazzG	4 / 4	1	204	:
Bass	053	CmbJazzH	4 / 4	1	204	:
Bass	054	GruvBass	4 / 4	2	120	Synth Bass
Bass	055	SynBass1	4 / 4	1	120	:
Bass	056	SynBass2	4 / 4	1	120	:
Bass	057	SynBass3	4 / 4	1	120	:
Bass	058	SynBass4	4 / 4	1	120	:
Bass	059	SynBass5	4 / 4	1	120	:
Bass	060	NewR&B1B	4 / 4	1	97	:
Bass	061	NewR&B1C	4 / 4	1	97	:
Bass	062	NewR&B1D	4 / 4	1	97	:
Bass	063	NewR&B1E	4 / 4	1	97	:
Bass	064	NewR&B1A	4 / 4	2	97	:
Bass	065	NewR&B1F	4 / 4	2	97	:
Bass	066	NewR&B1G	4 / 4	1	97	:
Bass	067	NewR&B1H	4 / 4	1	97	:
Bass	068	NewR&B2C	4 / 4	2	90	:
Bass	069	NewR&B2D	4 / 4	2	90	:
Bass	070	NewR&B2E	4 / 4	2	90	:
Bass	071	NewR&B2A	4 / 4	2	90	:
Bass	072	NewR&B2F	4 / 4	2	90	:
Bass	073	NewR&B2G	4 / 4	1	90	:
Bass	074	NewR&B2H	4 / 4	1	90	:
Bass	075	FlipHp1B	4 / 4	2	132	:
Bass	076	FlipHp1C	4 / 4	2	132	:
Bass	077	FlipHp1D	4 / 4	2	132	:
Bass	078	FlipHp1E	4 / 4	2	132	:
Bass	079	FlipHp1A	4 / 4	2	132	:
Bass	080	HipHop1B	4 / 4	2	105	:
Bass	081	HipHop1C	4 / 4	2	105	:
Bass	082	HipHop1D	4 / 4	2	105	:
Bass	083	HipHop1E	4 / 4	2	105	:
Bass	084	HipHop1F	4 / 4	2	105	:
Bass	085	HipHop1G	4 / 4	1	105	:
Bass	086	HipHop1H	4 / 4	1	105	:
Bass	087	HipHop2B	4 / 4	2	94	:
Bass	088	HipHop2C	4 / 4	2	94	:
Bass	089	HipHop2D	4 / 4	2	94	:
Bass	090	HipHop2E	4 / 4	2	94	:
Bass	091	HipHop2F	4 / 4	2	94	:
Bass	092	HipHop2G	4 / 4	1	94	:
Bass	093	HipHop2H	4 / 4	1	94	:
Bass	094	HipHop3B	4 / 4	2	104	:
Bass	095	HipHop3C	4 / 4	2	104	:
Bass	096	HipHop3D	4 / 4	2	104	:
Bass	097	HipHop3E	4 / 4	2	104	:
Bass	098	HipHop3F	4 / 4	2	104	:
Bass	099	ClscHipB	4 / 4	2	90	:
Bass	100	ClscHipC	4 / 4	2	90	:
Bass	101	ClscHipD	4 / 4	2	90	:
Bass	102	ClscHipE	4 / 4	2	90	:
Bass	103	ClscHipF	4 / 4	1	90	:
Bass	104	Smooth1B	4 / 4	2	115	:
Bass	105	Smooth1C	4 / 4	2	115	:
Bass	106	Smooth1D	4 / 4	2	115	:
Bass	107	Smooth1E	4 / 4	2	115	:
Bass	108	Smooth1F	4 / 4	2	115	:

Category	Arp#	ARP Name	Time Signature	Length	Original Tempo	Voice Type
Bass	109	Smooth1G	4 / 4	1	115	Synth Bass
Bass	110	Smooth1H	4 / 4	1	115	:
Bass	111	NewGos B	4 / 4	2	90	:
Bass	112	NewGos C	4 / 4	2	90	:
Bass	113	NewGos D	4 / 4	2	90	:
Bass	114	NewGos E	4 / 4	2	90	:
Bass	115	NewGos F	4 / 4	2	90	:
Bass	116	NewGos G	4 / 4	1	90	:
Bass	117	6/8R&B B	4 / 4	2	61	:
Bass	118	6/8R&B D	4 / 4	2	61	:
Bass	119	6/8R&B E	4 / 4	2	61	:
Bass	120	6/8R&B F	4 / 4	2	61	:
Bass	121	6/8R&B G	4 / 4	1	61	:
Bass	122	6/8R&B H	4 / 4	1	61	:
Bass	123	GtrPop B	4 / 4	2	90	Finger Bass
Bass	124	GtrPop C	4 / 4	1	90	:
Bass	125	GtrPop D	4 / 4	2	90	:
Bass	126	GtrPop E	4 / 4	2	90	:
Bass	127	GtrPop F	4 / 4	2	90	:
Bass	128	GtrPop H	4 / 4	1	90	:
Bass	129	70sRockC	4 / 4	4	130	:
Bass	130	70sRockD	4 / 4	2	130	:
Bass	131	70sRockE	4 / 4	4	130	:
Bass	132	70sRockG	4 / 4	1	130	:
Bass	133	XovrRckB	4 / 4	1	100	:
Bass	134	XovrRckC	4 / 4	1	100	:
Bass	135	XovrRckD	4 / 4	2	100	:
Bass	136	XovrRckE	4 / 4	2	100	:
Bass	137	XovrRckA	4 / 4	2	100	:
Bass	138	XovrRckF	4 / 4	2	100	:
Bass	139	XovrRckH	4 / 4	1	100	:
Bass	140	AcidBas1	4 / 4	1	86	Synth Bass
Bass	141	AcidBas2	4 / 4	1	120	:
Bass	142	TekBass1	4 / 4	1	138	:
Bass	143	TekBass2	4 / 4	1	138	:
Bass	144	TekBass3	4 / 4	8	138	:
Bass	145	Trance B	4 / 4	1	140	:
Bass	146	Trance F	4 / 4	4	140	:
Bass	147	Trance G	4 / 4	1	140	:
Bass	148	Dream B	4 / 4	2	136	:
Bass	149	Dream C	4 / 4	1	136	:
Bass	150	Dream D	4 / 4	4	136	:
Bass	151	Dream E	4 / 4	4	136	:
Bass	152	Dream G	4 / 4	1	136	:
Bass	153	Ibiza B	4 / 4	2	135	:
Bass	154	Ibiza C	4 / 4	2	135	:
Bass	155	Ibiza D	4 / 4	2	135	:
Bass	156	Ibiza E	4 / 4	2	135	:
Bass	157	Ibiza A	4 / 4	1	135	:
Bass	158	Ibiza F	4 / 4	4	135	:
Bass	159	HouseBas	4 / 4	4	120	:
Bass	160	ClubHs B	4 / 4	1	128	:
Bass	161	ClubHs C	4 / 4	1	128	:
Bass	162	ClubHs D	4 / 4	1	128	:
Bass	163	ClubHs E	4 / 4	1	128	:
Bass	164	ClubHs A	4 / 4	1	128	:
Bass	165	ClubHs G	4 / 4	1	128	:
Bass	166	ClubHs H	4 / 4	1	128	:
Bass	167	Garage2B	4 / 4	2	127	:
Bass	168	Garage2C	4 / 4	2	127	:
Bass	169	Garage2D	4 / 4	2	127	:
Bass	170	Garage2E	4 / 4	2	127	:
Bass	171	Garage2A	4 / 4	2	127	:
Bass	172	Garage2F	4 / 4	2	127	:
Bass	173	ChllOutC	4 / 4	2	79	Finger Bass
Bass	174	ChllOutD	4 / 4	4	79	:
Bass	175	ChllOutE	4 / 4	1	79	:
Bass	176	ChllOutA	4 / 4	3	79	:
Bass	177	ChllOutF	4 / 4	4	79	:
Bass	178	ChllOutG	4 / 4	1	79	Finger Bass (PB Range=12)
Bass	179	SynPop1C	4 / 4	2	90	Synth Bass
Bass	180	SynPop1E	4 / 4	2	90	:
Bass	181	SynPop1F	4 / 4	2	90	:
Bass	182	RetroPpB	4 / 4	2	126	:
Bass	183	Disco B	4 / 4	2	110	:
Bass	184	Disco C	4 / 4	2	110	:

Category	Arp#	ARP Name	Time Signature	Length	Original Tempo	Voice Type
Bass	185	Disco D	4 / 4	2	110	Synth Bass
Bass	186	Disco E	4 / 4	2	110	:
Bass	187	Disco F	4 / 4	2	110	:
Bass	188	Disco G	4 / 4	1	110	:
Bass	189	Disco H	4 / 4	1	110	:
Bass	190	LatinHsB	4 / 4	4	138	Finger Bass
Bass	191	LatinHsD	4 / 4	4	138	Finger Bass
Bass	192	LatinHsG	4 / 4	4	138	Synth Bass
Bass	193	MontunoB	4 / 4	4	100	Finger Bass
Bass	194	MontnoD1	4 / 4	4	100	:
Bass	195	MontnoD2	4 / 4	4	100	:
Bass	196	MontnoE1	4 / 4	4	100	:
Bass	197	MontnoE2	4 / 4	4	100	:
Bass	198	MontnoE3	4 / 4	4	100	:
Bass	199	MontnoE4	4 / 4	4	100	:
Bass	200	MontunoF	4 / 4	4	100	:
Bass	201	MontnoG1	4 / 4	1	100	:
Bass	202	MontnoG2	4 / 4	1	100	:
Bass	203	Reggae1B	4 / 4	4	102	:
Bass	204	Reggae1C	4 / 4	4	102	:
Bass	205	Reggae1D	4 / 4	4	80	:
Bass	206	Reggae1E	4 / 4	4	90	:
Bass	207	Reggae1A	4 / 4	4	102	:
Bass	208	Reggae1F	4 / 4	4	96	:
Bass	209	Reggae1G	4 / 4	1	96	:
Bass	210	Reggae1H	4 / 4	1	90	:
Bass	211	Reggae2B	4 / 4	2	92	:
Bass	212	Reggae2C	4 / 4	2	92	:
Bass	213	Reggae2D	4 / 4	2	92	:
Bass	214	Reggae2E	4 / 4	2	92	:
Bass	215	Reggae2A	4 / 4	2	92	:
Bass	216	Reggae2G	4 / 4	1	92	:
Bass	217	Reggae2H	4 / 4	1	92	:
Bass	218	TurkishB	4 / 4	2	105	:
Bass	219	TurkishC	4 / 4	2	105	:
Bass	220	TurkishD	9 / 8	2	125	:
Bass	221	TurkishE	9 / 8	2	125	:
Bass	222	TurkishA	4 / 4	2	86	:
Bass	223	TurkishF	4 / 4	2	105	:
Bass	224	TurkishG	4 / 4	2	105	:
BaKM	001	KM FnBa1	4 / 4	4	107	"Mega Finger"
BaKM	002	KM FnBa2	4 / 4	4	107	:
BaKM	003	KM FnBa3	4 / 4	4	107	:
BaKM	004	KM FnBa4	4 / 4	4	107	:
BaKM	005	KM FnBa5	4 / 4	4	107	:
BaKM	006	Funk2 B	4 / 4	2	130	:
BaKM	007	Funk2 C	4 / 4	4	130	:
BaKM	008	Funk2 D	4 / 4	4	130	:
BaKM	009	Funk2 E	4 / 4	4	130	:
BaKM	010	Funk2 F	4 / 4	1	130	:
BaKM	011	Funk3 B	4 / 4	2	132	:
BaKM	012	Funk3 C	4 / 4	2	132	:
BaKM	013	Funk3 D	4 / 4	4	132	:
BaKM	014	Funk3 E	4 / 4	4	132	:
BaKM	015	Funk3 A	4 / 4	1	132	:
BaKM	016	Funk3 H	4 / 4	1	132	:
BaKM	017	CoolFnkB	4 / 4	2	96	:
BaKM	018	CoolFnkC	4 / 4	2	96	:
BaKM	019	CoolFnkD	4 / 4	2	96	:
BaKM	020	CoolFnkE	4 / 4	4	96	:
BaKM	021	CoolFnkA	4 / 4	2	96	:
BaKM	022	CoolFnkF	4 / 4	1	96	:
BaKM	023	CoolFnkG	4 / 4	1	96	:
BaKM	024	CoolFnkH	4 / 4	1	96	:
BaKM	025	Soul B	4 / 4	4	117	:
BaKM	026	Soul C	4 / 4	1	117	:
BaKM	027	Soul D	4 / 4	4	117	:
BaKM	028	Soul E	4 / 4	4	117	:
BaKM	029	FolkRckC	4 / 4	1	118	:
BaKM	030	FolkRckD	4 / 4	1	118	:
BaKM	031	FolkRckE	4 / 4	1	118	:
BaKM	032	FolkRckF	4 / 4	1	118	:
BaKM	033	FolkRckG	4 / 4	1	118	:
BaKM	034	SoftRckB	4 / 4	1	75	:
BaKM	035	SoftRckC	4 / 4	1	75	:
BaKM	036	SoftRckD	4 / 4	1	75	:

Category	Arp#	ARP Name	Time Signature	Length	Original Tempo	Voice Type
BaKM	037	SoftRckE	4 / 4	1	75	"Mega Finger"
BaKM	038	SoftRckA	4 / 4	1	75	:
BaKM	039	SoftRckG	4 / 4	1	75	:
BaKM	040	SoftRckH	4 / 4	1	75	:
BaKM	041	FngrPckB	4 / 4	1	94	:
BaKM	042	FngrPckC	4 / 4	2	94	:
BaKM	043	FngrPckD	4 / 4	1	94	:
BaKM	044	FngrPckE	4 / 4	1	94	:
BaKM	045	FngrPckF	4 / 4	1	94	:
BaKM	046	FngrPckG	4 / 4	1	94	:
BaKM	047	FngrPckH	4 / 4	1	94	:
BaKM	048	LatinRkB	4 / 4	2	120	:
BaKM	049	LatinRkC	4 / 4	2	120	:
BaKM	050	LatinRkD	4 / 4	2	120	:
BaKM	051	LatinRkE	4 / 4	4	120	:
BaKM	052	LatinRkA	4 / 4	2	120	:
BaKM	053	LatinRkG	4 / 4	1	120	:
BaKM	054	LatinRkH	4 / 4	1	120	:
BaKM	055	Samba B	4 / 4	2	114	:
BaKM	056	Samba D	4 / 4	4	114	:
BaKM	057	Samba E	4 / 4	4	114	:
BaKM	058	Samba A	4 / 4	2	114	:
BaKM	059	SpanishB	4 / 4	1	120	:
BaKM	060	SpanishC	4 / 4	2	120	:
BaKM	061	SpanishD	4 / 4	1	120	:
BaKM	062	SpanishE	4 / 4	1	120	:
BaKM	063	SpanishF	4 / 4	2	120	:
BaKM	064	SpanishG	4 / 4	1	120	:
BaKM	065	KM Slap1	4 / 4	4	120	"Mega Slap"
BaKM	066	KM Slap2	4 / 4	2	120	:
BaKM	067	KM Slap3	4 / 4	1	124	:
BaKM	068	KM Slap4	4 / 4	1	124	:
BaKM	069	KM Slap5	4 / 4	2	124	:
BaKM	070	KM Slap6	4 / 4	1	105	:
BaKM	071	KM Slap7	4 / 4	1	105	:
BaKM	072	KM Slap8	4 / 4	1	105	:
BaKM	073	KM Slap9	4 / 4	2	110	:
BaKM	074	KM Slp10	4 / 4	1	110	:
BaKM	075	KM Slp11	4 / 4	1	90	:
BaKM	076	KM PkBa1	4 / 4	4	120	"Mega Pick"
BaKM	077	KM PkBa2	4 / 4	4	120	:
BaKM	078	KM PkBa3	4 / 4	4	120	:
BaKM	079	KM PkBa4	4 / 4	4	120	:
BaKM	080	KM PkBa5	4 / 4	4	120	:
BaKM	081	AnaPop B	4 / 4	2	93	:
BaKM	082	AnaPop C	4 / 4	2	93	:
BaKM	083	AnaPop D	4 / 4	2	93	:
BaKM	084	AnaPop E	4 / 4	4	93	:
BaKM	085	AnaPop A	4 / 4	2	93	:
BaKM	086	AnaPop F	4 / 4	2	93	:
BaKM	087	AnaPop G	4 / 4	1	93	:
BaKM	088	AnaPop H	4 / 4	1	93	:
BaKM	089	KM FIBa1	4 / 4	4	124	"Mega Frills"
BaKM	090	KM FIBa2	4 / 4	4	124	:
BaKM	091	KM FIBa3	4 / 4	4	124	:
BaKM	092	KM FIBa4	4 / 4	4	124	:
BaKM	093	KM FIBa5	4 / 4	4	124	:
BaKM	094	Slowfl B	4 / 4	1	74	:
BaKM	095	Slowfl C	4 / 4	1	74	:
BaKM	096	Slowfl D	4 / 4	1	74	:
BaKM	097	Slowfl E	4 / 4	1	74	:
BaKM	098	Slowfl A	4 / 4	2	74	:
BaKM	099	Slowfl F	4 / 4	2	74	:
BaKM	100	Slowfl G	4 / 4	1	74	:
BaKM	101	Slowfl H	4 / 4	1	74	:
BaKM	102	KM AcBa1	4 / 4	4	132	"Mega Acous"
BaKM	103	KM AcBa2	4 / 4	4	132	:
BaKM	104	KM AcBa3	4 / 4	4	132	:
BaKM	105	KM AcBa4	4 / 4	8	132	:
BaKM	106	KM AcBa5	4 / 4	4	132	:
BaKM	107	Salsa B	4 / 4	4	123	:
BaKM	108	Salsa C	4 / 4	4	123	:
BaKM	109	Salsa F	4 / 4	2	123	:
BaKM	110	Salsa G	4 / 4	1	123	:
Strn	001	Strings1	4 / 4	1	101	Strings
Strn	002	Strings2	4 / 4	1	101	:

Category	Arp#	ARP Name	Time Signature	Length	Original Tempo	Voice Type
Strn	003	Strings3	4 / 4	1	101	Strings
Strn	004	Strings4	4 / 4	1	101	:
Strn	005	Strings5	4 / 4	1	101	:
Strn	006	Strings6	4 / 4	1	101	:
Strn	007	Strings7	4 / 4	1	101	:
Strn	008	Strings8	4 / 4	1	101	:
Strn	009	Strings9**	4 / 4	2	120	:
Strn	010	Cello1**	4 / 4	2	120	Cello
Strn	011	Cello2**	4 / 4	2	120	:
Strn	012	StrngUp1**	4 / 4	1	120	Strings
Strn	013	StrngDw1**	4 / 4	1	120	:
Strn	014	StrngUp2	4 / 4	1	120	:
Strn	015	StrngDw2	4 / 4	1	120	:
Strn	016	Orchestr	4 / 4	4	126	:
Strn	017	OrchChrd	4 / 4	4	126	:
Strn	018	Jupiter	4 / 4	4	120	:
Strn	019	NewR&B2B	4 / 4	2	90	:
Strn	020	NewR&B2C	4 / 4	2	90	:
Strn	021	NewR&B2D	4 / 4	2	90	:
Strn	022	NwR&B2E1	4 / 4	2	90	:
Strn	023	NwR&B2E2	4 / 4	2	90	:
Strn	024	NewR&B2F	4 / 4	2	90	:
Strn	025	NewR&B2G	4 / 4	1	90	:
Strn	026	TurkishE	9 / 8	2	125	:
Strn	027	TurkishA	4 / 4	2	86	:
Strn	028	TurkishG	4 / 4	2	105	:
Strn	029	Pizz1	4 / 4	1	120	Pizz Strings
Strn	030	Pizz2	4 / 4	1	120	:
Strn	031	Pizz3	4 / 4	1	120	:
Strn	032	Pizz4	4 / 4	1	124	:
Strn	033	Pizz5	4 / 4	1	124	:
Strn	034	Smooth1D	4 / 4	2	115	:
Strn	035	Smooth1E	4 / 4	2	115	:
Strn	036	FlipHp1D	4 / 4	2	132	:
Strn	037	FlipHp1E	4 / 4	2	132	:
Strn	038	FlipHp1H	4 / 4	1	132	:
Strn	039	HipHop1D	4 / 4	2	105	:
Strn	040	HipHop1E	4 / 4	2	105	:
Strn	041	HipHop1H	4 / 4	1	105	:
Bras	001	BrasSec1	4 / 4	1	120	Brass Section
Bras	002	BrasSec2	4 / 4	1	120	:
Bras	003	BrasSec3	4 / 4	1	120	:
Bras	004	BrasSec4	4 / 4	1	120	:
Bras	005	BrasSec5	4 / 4	1	120	:
Bras	006	BrasSec6	4 / 4	1	120	:
Bras	007	BrasSec7	4 / 4	1	120	:
Bras	008	Funk2 D	4 / 4	4	130	:
Bras	009	Funk2 E1	4 / 4	4	130	:
Bras	010	Funk2 E2	4 / 4	1	130	:
Bras	011	Funk2 A	4 / 4	1	130	:
Bras	012	Funk2 F	4 / 4	1	130	:
Bras	013	Funk3 C	4 / 4	2	132	:
Bras	014	Funk3 D	4 / 4	4	132	:
Bras	015	Funk3 E	4 / 4	2	132	:
Bras	016	Funk3 A	4 / 4	1	132	:
Bras	017	Funk3 G	4 / 4	1	132	:
Bras	018	Funk3 H	4 / 4	1	132	:
Bras	019	Soul G	4 / 4	1	117	:
Bras	020	NewGos F	4 / 4	2	90	:
Bras	021	Samba E1	4 / 4	4	114	:
Bras	022	Samba A1	4 / 4	2	114	:
Bras	023	Samba F1	4 / 4	2	114	:
Bras	024	Samba C2	4 / 4	4	114	:
Bras	025	Samba D2	4 / 4	4	114	:
Bras	026	Salsa C1	4 / 4	1	123	:
Bras	027	Salsa D1	4 / 4	1	123	:
Bras	028	Salsa F1	4 / 4	2	123	:
Bras	029	Salsa B2	4 / 4	1	123	:
Bras	030	Salsa C2	4 / 4	4	120	:
Bras	031	Salsa B3	4 / 4	2	123	:
Bras	032	Salsa C3	4 / 4	2	123	:
Bras	033	Salsa D3	4 / 4	2	123	:
Bras	034	Salsa F3	4 / 4	1	123	:
Bras	035	Salsa G3	4 / 4	1	123	:
Bras	036	TurkishD	9 / 8	2	125	:
RdPp	001	Flute1	4 / 4	1	120	Flute

Category	Arp#	ARP Name	Time Signature	Length	Original Tempo	Voice Type
RdPp	002	Flute2	4 / 4	1	120	Flute
RdPp	003	Flute3	4 / 4	1	120	:
RdPp	004	Flutter1	4 / 4	1	120	Flute/Reed
RdPp	005	Flutter2	4 / 4	1	120	:
RdPp	006	Flutter3	4 / 4	1	120	:
RdPp	007	Soul C	4 / 4	4	117	Saxophone
RdPp	008	Soul D	4 / 4	4	117	:
RdPp	009	Soul F	4 / 4	1	117	:
RdPp	010	Soul H	4 / 4	1	117	:
RdPp	011	HipHop1E	4 / 4	2	105	:
RdPp	012	HipHop1F	4 / 4	2	105	:
RdPp	013	Samba B	4 / 4	2	114	:
RdPp	014	Samba D	4 / 4	4	114	:
RdPp	015	Samba E	4 / 4	4	114	:
RdPp	016	Samba F	4 / 4	2	114	:
RdPp	017	TurkshB1	4 / 4	2	105	Ney
RdPp	018	TurkshG1	4 / 4	2	105	:
RdPp	019	TurkshC2	4 / 4	2	105	Saxophone
RdPp	020	TurkshD2	9 / 8	2	125	:
RdPp	021	TurkshE2	9 / 8	2	125	:
RdPp	022	TurkshF2	4 / 4	2	105	:
Lead	001	Disco C	4 / 4	2	110	Synth Lead
Lead	002	Disco D	4 / 4	1	110	:
Lead	003	Disco E	4 / 4	2	110	:
Lead	004	Disco F	4 / 4	2	110	:
Lead	005	Disco G	4 / 4	1	110	:
Lead	006	Disco H	4 / 4	1	110	:
PdMe	001	Ripples	4 / 4	4	82	Synth Pad
PdMe	002	Cycle1	4 / 4	3	120	:
PdMe	003	Cycle2	4 / 4	6	120	:
PdMe	004	Cycle3	4 / 4	14	118	:
PdMe	005	AnaPop D	4 / 4	1	93	:
PdMe	006	AnaPop E	4 / 4	1	93	:
PdMe	007	Smooth1E	4 / 4	2	115	Synth Voice
PdMe	008	Smooth1F	4 / 4	2	115	:
PdMe	009	HipHop2A	4 / 4	1	94	Hit
PdMe	010	HipHop2F	4 / 4	2	94	:
CPrc	001	Ethnic1	6 / 4	5	118	Chromatic Perc.
CPrc	002	Ethnic2	7 / 4	3	120	:
CPrc	003	MOD1	4 / 4	1	120	:
CPrc	004	MOD2	4 / 4	2	120	:
CPrc	005	MOD3	4 / 4	1	120	:
CPrc	006	Trill 1	4 / 4	1	120	:
CPrc	007	Trill 2	4 / 4	2	120	:
CPrc	008	Trill 3	4 / 4	2	120	:
CPrc	009	Cresendo	4 / 4	1	120	:
CPrc	010	Trance D	4 / 4	4	140	Wood Percussion
CPrc	011	Disco F	4 / 4	2	110	Glockenspiel
CPrc	012	Disco H	4 / 4	1	110	:
DrPc	001	Funk1 B1	4 / 4	4	107	"Hyper Std"
DrPc	002	Funk1 C1	4 / 4	4	107	:
DrPc	003	Funk1 D	4 / 4	4	107	:
DrPc	004	Funk1 E	4 / 4	4	107	:
DrPc	005	Funk1 A	4 / 4	4	107	:
DrPc	006	Funk1 F1	4 / 4	1	107	:
DrPc	007	Funk1 G	4 / 4	1	107	:
DrPc	008	Funk1 H1	4 / 4	1	107	:
DrPc	009	Funk1 B2	4 / 4	2	107	:
DrPc	010	Funk1 C2	4 / 4	4	107	:
DrPc	011	Funk1 F2	4 / 4	1	107	:
DrPc	012	Funk1 H2	4 / 4	1	107	:
DrPc	013	Funk2 B	4 / 4	4	130	"DryStandrd"
DrPc	014	Funk2 C	4 / 4	4	130	:
DrPc	015	Funk2 D	4 / 4	4	130	:
DrPc	016	Funk2 E	4 / 4	4	130	:
DrPc	017	Funk2 A	4 / 4	2	130	:
DrPc	018	Funk2 F	4 / 4	1	130	:
DrPc	019	Funk2 G	4 / 4	1	130	:
DrPc	020	Funk2 H	4 / 4	1	130	:
DrPc	021	Funk3 B	4 / 4	2	132	:
DrPc	022	Funk3 C	4 / 4	2	132	:
DrPc	023	Funk3 D	4 / 4	4	132	:
DrPc	024	Funk3 E	4 / 4	4	132	:
DrPc	025	Funk3 A	4 / 4	1	132	:
DrPc	026	Funk3 F	4 / 4	2	132	:
DrPc	027	Funk3 G	4 / 4	1	132	:

Category	Arp#	ARP Name	Time Signature	Length	Original Tempo	Voice Type
DrPc	028	Funk3 H	4 / 4	1	132	"DryStandrd"
DrPc	029	Funk4 A	4 / 4	2	110	:
DrPc	030	Funk4 B	4 / 4	2	110	:
DrPc	031	Funk4 C	4 / 4	4	110	:
DrPc	032	Funk4 D	4 / 4	4	110	:
DrPc	033	CoolFnkB	4 / 4	2	96	"Hyper Std"
DrPc	034	CoolFnkC	4 / 4	2	96	:
DrPc	035	CoolFnkD	4 / 4	2	96	:
DrPc	036	CoolFnkE	4 / 4	2	96	:
DrPc	037	CoolFnkA	4 / 4	2	96	:
DrPc	038	CoolFnkF	4 / 4	2	96	:
DrPc	039	CoolFnkG	4 / 4	1	96	:
DrPc	040	CoolFnkH	4 / 4	1	96	:
DrPc	041	Soul B	4 / 4	4	117	"DryStandrd"
DrPc	042	Soul C	4 / 4	4	117	:
DrPc	043	Soul D	4 / 4	4	117	:
DrPc	044	Soul E	4 / 4	4	117	:
DrPc	045	Soul A	4 / 4	1	117	:
DrPc	046	Soul F	4 / 4	4	117	:
DrPc	047	Soul G	4 / 4	1	117	:
DrPc	048	Soul H	4 / 4	1	117	:
DrPc	049	NewR&B1B	4 / 4	1	97	"Hip Hop3"
DrPc	050	NewR&B1C	4 / 4	1	97	:
DrPc	051	NewR&B1D	4 / 4	1	97	:
DrPc	052	NewR&B1E	4 / 4	1	97	:
DrPc	053	NewR&B1A	4 / 4	2	97	:
DrPc	054	NewR&B1F	4 / 4	2	97	:
DrPc	055	NewR&B1G	4 / 4	1	97	:
DrPc	056	NewR&B1H	4 / 4	1	97	:
DrPc	057	NewR&B2B	4 / 4	2	90	:
DrPc	058	NewR&B2C	4 / 4	2	90	:
DrPc	059	NewR&B2D	4 / 4	2	90	:
DrPc	060	NewR&B2E	4 / 4	2	90	:
DrPc	061	NewR&B2A	4 / 4	2	90	:
DrPc	062	NewR&B2F	4 / 4	2	90	:
DrPc	063	NewR&B2G	4 / 4	1	90	:
DrPc	064	NewR&B2H	4 / 4	1	90	:
DrPc	065	FlipHp1B	4 / 4	2	132	:
DrPc	066	FlipHp1C	4 / 4	2	132	:
DrPc	067	FlipHp1D	4 / 4	2	132	:
DrPc	068	FlipHp1E	4 / 4	2	132	:
DrPc	069	FlipHp1A	4 / 4	2	132	:
DrPc	070	FlipHp1F	4 / 4	4	132	:
DrPc	071	FlipHp1G	4 / 4	1	132	:
DrPc	072	FlipHp1H	4 / 4	1	132	:
DrPc	073	FlipHp2A	4 / 4	4	125	:
DrPc	074	FlipHp2B	4 / 4	4	125	:
DrPc	075	FlipHp2C	4 / 4	4	125	:
DrPc	076	FlipHp2D	4 / 4	4	125	:
DrPc	077	HipHop1B	4 / 4	2	105	:
DrPc	078	HipHop1C	4 / 4	2	105	:
DrPc	079	HipHop1D	4 / 4	2	105	:
DrPc	080	HipHop1E	4 / 4	2	105	:
DrPc	081	HipHop1A	4 / 4	1	105	:
DrPc	082	HipHop1F	4 / 4	2	105	:
DrPc	083	HipHop1G	4 / 4	1	105	:
DrPc	084	HipHop1H	4 / 4	1	105	:
DrPc	085	HipHop2B	4 / 4	2	104	:
DrPc	086	HipHop2C	4 / 4	2	104	:
DrPc	087	HipHop2D	4 / 4	2	104	:
DrPc	088	HipHop2E	4 / 4	2	104	:
DrPc	089	HipHop2A	4 / 4	1	104	:
DrPc	090	HipHop2F	4 / 4	2	104	:
DrPc	091	HipHop2G	4 / 4	1	104	:
DrPc	092	HipHop2H	4 / 4	1	104	:
DrPc	093	HipHop3B	4 / 4	2	94	"Break Kit"
DrPc	094	HipHop3C	4 / 4	2	94	:
DrPc	095	HipHop3D	4 / 4	2	94	:
DrPc	096	HipHop3E	4 / 4	2	94	:
DrPc	097	HipHop3A	4 / 4	2	94	:
DrPc	098	HipHop3F	4 / 4	2	94	:
DrPc	099	HipHop3G	4 / 4	1	94	:
DrPc	100	HipHop3H	4 / 4	1	94	:
DrPc	101	HipHop4	4 / 4	2	96	"Hip Hop1"
DrPc	102	ClscHipB	4 / 4	2	90	"Hip Hop3"
DrPc	103	ClscHipC	4 / 4	1	90	:

Category	Arp#	ARP Name	Time Signature	Length	Original Tempo	Voice Type
DrPc	104	ClscHipD	4 / 4	1	90	"Hip Hop3"
DrPc	105	ClscHipE	4 / 4	2	90	:
DrPc	106	ClscHipA1	4 / 4	2	90	:
DrPc	107	ClscHipA2	4 / 4	1	90	:
DrPc	108	ClscHipG	4 / 4	1	90	:
DrPc	109	ClscHipH	4 / 4	1	90	:
DrPc	110	ClscHipA3	4 / 4	4	90	:
DrPc	111	GangstaA	4 / 4	2	98	"Hip Hop4"
DrPc	112	GangstaB	4 / 4	4	98	:
DrPc	113	GangstaC	4 / 4	4	98	:
DrPc	114	GangstaD	4 / 4	2	98	:
DrPc	115	i-Hop A	4 / 4	4	98	"T9HipKit1"
DrPc	116	i-Hop B	4 / 4	4	98	:
DrPc	117	i-Hop C	4 / 4	4	98	:
DrPc	118	i-Hop D	4 / 4	1	98	:
DrPc	119	Smooth1B	4 / 4	2	115	"Hip Hop3"
DrPc	120	Smooth1C	4 / 4	2	115	:
DrPc	121	Smooth1D	4 / 4	2	115	:
DrPc	122	Smooth1E	4 / 4	2	115	:
DrPc	123	Smooth1A	4 / 4	2	115	:
DrPc	124	Smooth1F	4 / 4	2	115	:
DrPc	125	Smooth1G	4 / 4	1	115	:
DrPc	126	Smooth1H	4 / 4	1	115	:
DrPc	127	Smooth2A	4 / 4	4	64	"Hip Hop1"
DrPc	128	Smooth2B	4 / 4	4	64	:
DrPc	129	Smooth2C	4 / 4	4	64	:
DrPc	130	Smooth2D	4 / 4	4	64	:
DrPc	131	NewGos B	4 / 4	2	90	"Hip Hop3"
DrPc	132	NewGos C	4 / 4	2	90	:
DrPc	133	NewGos D	4 / 4	2	90	:
DrPc	134	NewGos E	4 / 4	2	90	:
DrPc	135	NewGos A	4 / 4	1	90	:
DrPc	136	NewGos F	4 / 4	2	90	:
DrPc	137	NewGos G	4 / 4	1	90	:
DrPc	138	NewGos H	4 / 4	1	90	:
DrPc	139	Gospel A	3 / 4	4	126	"DryStandrd"
DrPc	140	Gospel B	3 / 4	2	126	:
DrPc	141	6/8R&B B	4 / 4	2	61	"Hip Hop3"
DrPc	142	6/8R&B C	4 / 4	2	61	:
DrPc	143	6/8R&B D	4 / 4	2	61	:
DrPc	144	6/8R&B E	4 / 4	2	61	:
DrPc	145	6/8R&B A	4 / 4	2	61	:
DrPc	146	6/8R&B F	4 / 4	2	61	:
DrPc	147	6/8R&B G	4 / 4	1	61	:
DrPc	148	6/8R&B H	4 / 4	1	61	:
DrPc	149	CmbJazzB	4 / 4	4	204	"DryStandrd"
DrPc	150	CmbJazzC	4 / 4	4	204	:
DrPc	151	CmbJazzD	4 / 4	4	204	:
DrPc	152	CmbJazzE	4 / 4	4	204	:
DrPc	153	CmbJazzA	4 / 4	4	204	:
DrPc	154	CmbJazzF	4 / 4	4	204	:
DrPc	155	CmbJazzG	4 / 4	1	204	:
DrPc	156	CmbJazzH	4 / 4	1	204	:
DrPc	157	Bebop A	4 / 4	4	152	:
DrPc	158	Bebop B	4 / 4	4	152	:
DrPc	159	JazzHop	4 / 4	2	106	"Hip Hop2"
DrPc	160	Abstract	4 / 4	2	86	:
DrPc	161	FolkRckB	4 / 4	1	118	"DryStandrd"
DrPc	162	FolkRck1	4 / 4	4	118	:
DrPc	163	FolkRckE	4 / 4	1	118	:
DrPc	164	FolkRckA	4 / 4	1	118	:
DrPc	165	FolkRckF	4 / 4	1	118	:
DrPc	166	FolkRckG	4 / 4	1	118	:
DrPc	167	FolkRckH	4 / 4	1	118	:
DrPc	168	FolkRck2	4 / 4	1	118	:
DrPc	169	SoftRckB	4 / 4	4	75	:
DrPc	170	SoftRckC	4 / 4	4	75	:
DrPc	171	SoftRckD	4 / 4	4	75	:
DrPc	172	SoftRckE	4 / 4	4	75	:
DrPc	173	SoftRckA	4 / 4	1	75	:
DrPc	174	SoftRckF	4 / 4	1	75	:
DrPc	175	SoftRckG	4 / 4	1	75	:
DrPc	176	SoftRckH	4 / 4	1	75	:
DrPc	177	Ballad1A	4 / 4	2	72	"Hyper Std"
DrPc	178	Ballad1B	4 / 4	2	72	:
DrPc	179	Ballad1C	4 / 4	2	72	:

Category	Arp#	ARP Name	Time Signature	Length	Original Tempo	Voice Type
DrPc	180	Ballad1D	4 / 4	1	72	"Hyper Std"
DrPc	181	Ballad2A	4 / 4	2	72	:
DrPc	182	Ballad2B	4 / 4	2	72	:
DrPc	183	Unplug B	4 / 4	4	120	"DryStandrd"
DrPc	184	Unplug C	4 / 4	4	120	:
DrPc	185	Unplug D	4 / 4	4	120	:
DrPc	186	Unplug E	4 / 4	4	120	:
DrPc	187	Unplug A	4 / 4	1	120	:
DrPc	188	Unplug F	4 / 4	1	120	:
DrPc	189	Unplug G	4 / 4	1	120	:
DrPc	190	Unplug H	4 / 4	1	120	:
DrPc	191	FngrPckB	4 / 4	4	94	:
DrPc	192	FngrPckC	4 / 4	4	94	:
DrPc	193	FngrPckD	4 / 4	4	94	:
DrPc	194	FngrPckE	4 / 4	4	94	:
DrPc	195	FngrPckA1	4 / 4	1	94	:
DrPc	196	FngrPckA2	4 / 4	1	94	:
DrPc	197	FngrPckF	4 / 4	1	94	:
DrPc	198	FngrPckG	4 / 4	1	94	:
DrPc	199	FngrPckH	4 / 4	1	94	:
DrPc	200	Slowfl B	4 / 4	1	74	"Hyper Std"
DrPc	201	Slowfl C	4 / 4	1	74	:
DrPc	202	Slowfl D	4 / 4	1	74	:
DrPc	203	Slowfl E	4 / 4	1	74	:
DrPc	204	Slowfl A	4 / 4	2	74	:
DrPc	205	Slowfl F	4 / 4	2	74	:
DrPc	206	Slowfl G	4 / 4	1	74	:
DrPc	207	Slowfl H	4 / 4	1	74	:
DrPc	208	GtrPop B	4 / 4	2	90	"DryStandrd"
DrPc	209	GtrPop C	4 / 4	1	90	:
DrPc	210	GtrPopD1	4 / 4	2	90	:
DrPc	211	GtrPopE1	4 / 4	2	90	:
DrPc	212	GtrPop A	4 / 4	2	90	:
DrPc	213	GtrPopF1	4 / 4	2	90	:
DrPc	214	GtrPopG1	4 / 4	1	90	:
DrPc	215	GtrPop H	4 / 4	1	90	:
DrPc	216	GtrPopD2	4 / 4	2	90	"Latin Perc"
DrPc	217	GtrPopE2	4 / 4	2	90	:
DrPc	218	GtrPopF2	4 / 4	2	90	:
DrPc	219	GtrPopG2	4 / 4	1	90	:
DrPc	220	AnaPop B	4 / 4	2	93	"AnalogT8"
DrPc	221	AnaPop C	4 / 4	2	93	:
DrPc	222	AnaPop D	4 / 4	2	93	:
DrPc	223	AnaPop E	4 / 4	4	93	:
DrPc	224	AnaPop A	4 / 4	2	93	:
DrPc	225	AnaPop F	4 / 4	2	93	:
DrPc	226	AnaPop G	4 / 4	1	93	:
DrPc	227	AnaPop H	4 / 4	1	93	:
DrPc	228	PnoClubB	4 / 4	2	96	"Hyper Std"
DrPc	229	PnoClubC	4 / 4	2	96	:
DrPc	230	PnoClubD	4 / 4	2	96	:
DrPc	231	PnoClubE	4 / 4	2	96	:
DrPc	232	PnClubA1	4 / 4	2	96	:
DrPc	233	PnClubA2	4 / 4	2	96	:
DrPc	234	PnClubF1	4 / 4	2	96	:
DrPc	235	PnClubF2	4 / 4	1	96	:
DrPc	236	PnoClubG	4 / 4	1	96	:
DrPc	237	PnoClubH	4 / 4	1	96	:
DrPc	238	70sRockB	4 / 4	4	130	"DryStandrd"
DrPc	239	70sRockC	4 / 4	4	130	:
DrPc	240	70sRockD	4 / 4	4	130	:
DrPc	241	70sRockE	4 / 4	4	130	:
DrPc	242	70sRockA	4 / 4	1	130	:
DrPc	243	70sRockF	4 / 4	2	130	:
DrPc	244	70sRockG	4 / 4	1	130	:
DrPc	245	70sRockH	4 / 4	1	130	:
DrPc	246	PopRck1A	4 / 4	2	126	"RockSt1"
DrPc	247	PopRck1B	4 / 4	2	126	:
DrPc	248	PopRck1C	4 / 4	2	126	:
DrPc	249	PopRck1D	4 / 4	2	126	:
DrPc	250	PopRck2A	4 / 4	2	120	"RockSt2"
DrPc	251	PopRck2B	4 / 4	2	120	:
DrPc	252	PopRck2C	4 / 4	2	120	:
DrPc	253	PopRck2D	4 / 4	2	120	:
DrPc	254	Rock1	4 / 4	2	120	:
DrPc	255	Rock2	4 / 4	2	115	:

Category	Arp#	ARP Name	Time Signature	Length	Original Tempo	Voice Type
DrPc	256	Rock3	4 / 4	4	120	"RockSt2"
DrPc	257	MondoRkA	4 / 4	2	94	:
DrPc	258	MondoRkB	4 / 4	2	94	:
DrPc	259	MondoRkC	4 / 4	2	94	:
DrPc	260	MondoRkD	4 / 4	4	94	:
DrPc	261	XovrRckB	4 / 4	2	100	"RockSt1"
DrPc	262	XovrRckC	4 / 4	1	100	:
DrPc	263	XovrRckD	4 / 4	2	100	:
DrPc	264	XovrRckE	4 / 4	2	100	:
DrPc	265	XovrRckA	4 / 4	2	100	:
DrPc	266	XovrRkF1	4 / 4	2	100	:
DrPc	267	XovrRkG1	4 / 4	1	100	:
DrPc	268	XovrRckH	4 / 4	1	100	:
DrPc	269	XovrRkF2	4 / 4	1	100	"Scratches"
DrPc	270	XovrRkG2	4 / 4	1	100	:
DrPc	271	LoBeat1	4 / 4	2	140	"Break Kit"
DrPc	272	LoBeat2	4 / 4	2	130	:
DrPc	273	LoBeat3	4 / 4	1	122	:
DrPc	274	LoBeat4	4 / 4	1	115	:
DrPc	275	Electrn1	4 / 4	1	118	"Tekno Kit"
DrPc	276	Electrn2	4 / 4	1	118	"AnalogT9"
DrPc	277	BgBeat1A	4 / 4	2	120	"Big Kit"
DrPc	278	BgBeat1B	4 / 4	1	120	:
DrPc	279	BigBeat2	4 / 4	1	138	:
DrPc	280	BigBeat3	4 / 4	1	128	:
DrPc	281	DrumBa1	4 / 4	1	170	"Jungle Kit"
DrPc	282	DrumBa2	4 / 4	2	165	:
DrPc	283	DrumBa3A	4 / 4	2	154	"Drum'nBass"
DrPc	284	DrumBa3B	4 / 4	2	154	:
DrPc	285	DrumBa3C	4 / 4	2	154	:
DrPc	286	DrumBa3D	4 / 4	1	154	:
DrPc	287	DrumBa3E	4 / 4	2	154	:
DrPc	288	EuroTekA	4 / 4	2	140	"Tekno Kit"
DrPc	289	EuroTekB	4 / 4	2	140	:
DrPc	290	EuroTekC	4 / 4	2	140	:
DrPc	291	EuroTekD	4 / 4	2	140	:
DrPc	292	EuroTekE	4 / 4	2	140	:
DrPc	293	Trance B	4 / 4	4	140	"AnalogT9"
DrPc	294	Trance C	4 / 4	4	140	:
DrPc	295	Trance D	4 / 4	4	140	:
DrPc	296	Trance E	4 / 4	4	140	:
DrPc	297	Trance A	4 / 4	4	140	:
DrPc	298	Trance F	4 / 4	4	140	:
DrPc	299	Trance G	4 / 4	4	140	:
DrPc	300	Trance H	4 / 4	4	140	:
DrPc	301	TrancBd1	4 / 4	4	140	:
DrPc	302	TrancBd2	4 / 4	4	140	:
DrPc	303	TrancBd3	4 / 4	4	140	:
DrPc	304	TrancBd4	4 / 4	4	140	:
DrPc	305	TrancSdf	4 / 4	4	140	:
DrPc	306	TrancClp	4 / 4	4	140	:
DrPc	307	TrancHh1	4 / 4	4	140	:
DrPc	308	TrancHh2	4 / 4	2	140	:
DrPc	309	TrancHh3	4 / 4	1	140	:
DrPc	310	TrancHh4	4 / 4	1	140	:
DrPc	311	TrancHh5	4 / 4	1	140	:
DrPc	312	TrancHh6	4 / 4	1	140	:
DrPc	313	TrancHh7	4 / 4	1	140	:
DrPc	314	Dream B	4 / 4	4	136	"T9HipKit1"
DrPc	315	Dream D	4 / 4	4	136	:
DrPc	316	Dream E	4 / 4	4	136	:
DrPc	317	Dream A	4 / 4	4	136	:
DrPc	318	DreamBd1	4 / 4	4	136	:
DrPc	319	DreamBd2	4 / 4	1	136	:
DrPc	320	DreamBd3	4 / 4	4	136	:
DrPc	321	DreamBd4	4 / 4	4	136	:
DrPc	322	DreamBd5	4 / 4	4	136	:
DrPc	323	DreamSdf	4 / 4	4	136	:
DrPc	324	DreamHh1	4 / 4	1	136	:
DrPc	325	DreamHh2	4 / 4	4	136	:
DrPc	326	DreamHh3	4 / 4	2	136	:
DrPc	327	DreamHh4	4 / 4	4	136	"AnalogT8"
DrPc	328	DreamClp	4 / 4	4	136	"T9HipKit1"
DrPc	329	DreamPc1	4 / 4	4	136	"Percussion"
DrPc	330	DreamPc2	4 / 4	2	136	"AnalogT8"
DrPc	331	DreamPc3	4 / 4	4	136	:

Category	Arp#	ARP Name	Time Signature	Length	Original Tempo	Voice Type
DrPc	332	House1	4 / 4	2	123	"AnalogT9"
DrPc	333	House2	4 / 4	1	123	"Garage"
DrPc	334	House3	4 / 4	2	127	:
DrPc	335	House4A	4 / 4	2	130	"T9HipKit1"
DrPc	336	House4B	4 / 4	2	130	:
DrPc	337	House4C	4 / 4	2	130	:
DrPc	338	House5A	4 / 4	4	120	"House Kit1"
DrPc	339	House5B	4 / 4	1	120	:
DrPc	340	House5C	4 / 4	1	120	:
DrPc	341	House5D	4 / 4	1	120	:
DrPc	342	House6A	4 / 4	1	120	:
DrPc	343	House6B	4 / 4	1	120	:
DrPc	344	House6C	4 / 4	1	120	:
DrPc	345	House7A	4 / 4	1	120	:
DrPc	346	House7B	4 / 4	1	120	:
DrPc	347	House8	4 / 4	2	120	:
DrPc	348	House9	4 / 4	4	120	:
DrPc	349	House10A	4 / 4	1	120	:
DrPc	350	House10B	4 / 4	1	120	:
DrPc	351	House11A	4 / 4	1	120	:
DrPc	352	House11B	4 / 4	1	120	:
DrPc	353	House11C	4 / 4	1	120	:
DrPc	354	House12	4 / 4	2	120	:
DrPc	355	House13	4 / 4	2	120	:
DrPc	356	UKGargeA	4 / 4	4	130	:
DrPc	357	UKGargeB	4 / 4	4	130	:
DrPc	358	UKGargeC	4 / 4	4	130	:
DrPc	359	2 Step	4 / 4	2	120	:
DrPc	360	Ibiza B1	4 / 4	2	135	:
DrPc	361	Ibiza C	4 / 4	2	135	:
DrPc	362	Ibiza D	4 / 4	2	135	:
DrPc	363	Ibiza E	4 / 4	2	135	:
DrPc	364	Ibiza A	4 / 4	8	135	:
DrPc	365	Ibiza F	4 / 4	2	135	:
DrPc	366	Ibiza G	4 / 4	1	135	:
DrPc	367	Ibiza H1	4 / 4	1	135	:
DrPc	368	Ibiza B2	4 / 4	2	135	"DryStandrd"
DrPc	369	Ibiza H2	4 / 4	1	135	"DryStandrd" (PB Range=24)
DrPc	370	ClubHs B	4 / 4	1	128	"House Kit1"
DrPc	371	ClubHs C	4 / 4	1	128	:
DrPc	372	ClubHs D	4 / 4	1	128	:
DrPc	373	ClubHsE1	4 / 4	1	128	:
DrPc	374	ClubHsA1	4 / 4	2	128	:
DrPc	375	ClubHsA2	4 / 4	1	128	:
DrPc	376	ClubHs F	4 / 4	2	128	:
DrPc	377	ClubHs G	4 / 4	1	128	:
DrPc	378	ClubHsH1	4 / 4	1	128	:
DrPc	379	ClubHsE2	4 / 4	1	128	"Hyper Std"
DrPc	380	ClubHsH2	4 / 4	1	128	:
DrPc	381	Garage1	4 / 4	2	130	"Garage"
DrPc	382	Garage2B	4 / 4	2	127	"House Kit1"
DrPc	383	Garage2C	4 / 4	2	127	:
DrPc	384	Garage2D	4 / 4	2	127	:
DrPc	385	Garage2E	4 / 4	2	127	:
DrPc	386	Garge2A1	4 / 4	1	127	:
DrPc	387	Garge2A2	4 / 4	1	127	:
DrPc	388	Garage2F	4 / 4	2	127	:
DrPc	389	Garage2G	4 / 4	1	127	:
DrPc	390	ChiOutB1	4 / 4	2	79	"DryStandrd"
DrPc	391	ChiOutC1	4 / 4	2	79	:
DrPc	392	ChiOutD1	4 / 4	4	79	:
DrPc	393	ChiOutE1	4 / 4	2	79	:
DrPc	394	ChiOutA1	4 / 4	1	79	:
DrPc	395	ChiOutF1	4 / 4	4	79	:
DrPc	396	ChiOutG1	4 / 4	1	79	:
DrPc	397	ChiOutH1	4 / 4	1	79	:
DrPc	398	ChiOutB2	4 / 4	2	79	"Break Kit"
DrPc	399	ChiOutC2	4 / 4	2	79	:
DrPc	400	ChiOutD2	4 / 4	4	79	:
DrPc	401	ChiOutE2	4 / 4	2	79	:
DrPc	402	ChiOutA2	4 / 4	4	79	:
DrPc	403	ChiOutF2	4 / 4	4	79	:
DrPc	404	ChiOutG2	4 / 4	1	79	:
DrPc	405	ChiOutH2	4 / 4	1	79	:
DrPc	406	SynPop1B	4 / 4	4	90	"T9HipKit1"
DrPc	407	SynPop1C	4 / 4	4	90	:

Category	Arp#	ARP Name	Time Signature	Length	Original Tempo	Voice Type
DrPc	408	SynPp1D1	4 / 4	4	90	"T9HipKit1"
DrPc	409	SynPp1E1	4 / 4	4	90	:
DrPc	410	SynPp1F1	4 / 4	4	90	:
DrPc	411	SynPp1D2	4 / 4	2	90	:
DrPc	412	SynPp1E2	4 / 4	2	90	:
DrPc	413	SynPp1F2	4 / 4	4	90	:
DrPc	414	SyPp1Clip	4 / 4	2	90	:
DrPc	415	SynPp1Hh	4 / 4	2	90	:
DrPc	416	SynPop2A	4 / 4	2	90	"SynPopKit"
DrPc	417	SynPop2B	4 / 4	2	90	:
DrPc	418	SynPop2C	4 / 4	2	90	:
DrPc	419	SynPop2D	4 / 4	2	90	:
DrPc	420	SynPop2E	4 / 4	2	90	:
DrPc	421	RetroPpB	4 / 4	1	126	"House Kit1"
DrPc	422	RetroPpD	4 / 4	2	126	:
DrPc	423	RetroPpF	4 / 4	1	126	:
DrPc	424	Disco B	4 / 4	2	110	"DryStandrd"
DrPc	425	Disco C	4 / 4	2	110	:
DrPc	426	Disco D	4 / 4	2	110	:
DrPc	427	Disco E	4 / 4	2	110	:
DrPc	428	Disco A	4 / 4	1	110	:
DrPc	429	Disco F	4 / 4	2	110	:
DrPc	430	Disco G	4 / 4	1	110	:
DrPc	431	Disco H	4 / 4	1	110	:
DrPc	432	LatinHsB	4 / 4	4	138	"House Kit1"
DrPc	433	LatinHsF	4 / 4	4	138	:
DrPc	434	LatinHsH	4 / 4	4	138	:
DrPc	435	LatinRkB	4 / 4	2	120	"DryStandrd"
DrPc	436	LatinRkC	4 / 4	2	120	:
DrPc	437	LatinRkD	4 / 4	2	120	:
DrPc	438	LatinRkE	4 / 4	4	120	:
DrPc	439	LatinRkA	4 / 4	2	120	:
DrPc	440	LatinRkF	4 / 4	1	120	:
DrPc	441	LatinRkG	4 / 4	1	120	:
DrPc	442	LatinRkH	4 / 4	1	120	:
DrPc	443	Samba B	4 / 4	4	114	:
DrPc	444	Samba C	4 / 4	4	114	:
DrPc	445	Samba D	4 / 4	4	114	:
DrPc	446	Samba E	4 / 4	4	114	:
DrPc	447	Samba A	4 / 4	2	114	:
DrPc	448	Samba F	4 / 4	2	114	:
DrPc	449	Samba G	4 / 4	1	114	:
DrPc	450	Samba H	4 / 4	1	114	:
DrPc	451	Salsa B1	4 / 4	2	123	:
DrPc	452	Salsa C1	4 / 4	2	123	:
DrPc	453	Salsa D1	4 / 4	2	123	:
DrPc	454	Salsa E1	4 / 4	4	123	:
DrPc	455	Salsa A1	4 / 4	2	123	:
DrPc	456	Salsa A3	4 / 4	2	123	:
DrPc	457	Salsa F1	4 / 4	2	123	:
DrPc	458	Salsa G1	4 / 4	1	123	:
DrPc	459	Salsa H1	4 / 4	1	123	:
DrPc	460	Salsa B2	4 / 4	4	123	"Cuban"
DrPc	461	Salsa C2	4 / 4	4	123	:
DrPc	462	Salsa D2	4 / 4	4	123	:
DrPc	463	Salsa E2	4 / 4	4	123	:
DrPc	464	Salsa A2	4 / 4	4	123	:
DrPc	465	Salsa F2	4 / 4	2	123	:
DrPc	466	Salsa G2	4 / 4	1	123	:
DrPc	467	Salsa H2	4 / 4	1	123	:
DrPc	468	MontnoB1	4 / 4	2	100	"DryStandrd"
DrPc	469	MontnoC1	4 / 4	2	100	:
DrPc	470	MontnoD1	4 / 4	2	100	:
DrPc	471	MontnoE1	4 / 4	2	100	:
DrPc	472	MontnoA1	4 / 4	2	100	:
DrPc	473	MontnoF1	4 / 4	2	100	:
DrPc	474	MontnoG1	4 / 4	1	100	:
DrPc	475	MontnoH1	4 / 4	1	100	:
DrPc	476	MontnoB2	4 / 4	4	100	"Latin Perc"
DrPc	477	MontnoC2	4 / 4	4	100	:
DrPc	478	MontnoD2	4 / 4	4	100	:
DrPc	479	MontnoE2	4 / 4	4	100	:
DrPc	480	MontnoA2	4 / 4	4	100	:
DrPc	481	MontnoF2	4 / 4	4	100	:
DrPc	482	MontnoG2	4 / 4	1	100	:
DrPc	483	MontnoH2	4 / 4	1	100	:

Category	Arp#	ARP Name	Time Signature	Length	Original Tempo	Voice Type
DrPc	484	Latin A	4 / 4	4	120	"Latin Perc"
DrPc	485	Latin B	4 / 4	4	120	:
DrPc	486	Latin C	4 / 4	4	120	:
DrPc	487	Latin D	4 / 4	4	120	:
DrPc	488	Latin E	4 / 4	4	120	:
DrPc	489	Regge1B1	4 / 4	4	102	"DryStandrd"
DrPc	490	Regge1C1	4 / 4	4	102	:
DrPc	491	Regge1D1	4 / 4	4	80	:
DrPc	492	Regge1E1	4 / 4	4	90	:
DrPc	493	Regge1A1	4 / 4	4	102	:
DrPc	494	Regge1F1	4 / 4	4	96	:
DrPc	495	Reggae1G	4 / 4	1	96	:
DrPc	496	Reggae1H	4 / 4	1	102	:
DrPc	497	Regge1B2	4 / 4	4	102	"Percussion"
DrPc	498	Regge1C2	4 / 4	4	102	:
DrPc	499	Regge1D2	4 / 4	4	80	:
DrPc	500	Regge1E2	4 / 4	4	90	:
DrPc	501	Regge1A2	4 / 4	4	102	:
DrPc	502	Regge1F2	4 / 4	4	96	:
DrPc	503	Reggae2B	4 / 4	2	92	"DryStandrd"
DrPc	504	Reggae2C	4 / 4	2	92	:
DrPc	505	Reggae2D	4 / 4	2	92	:
DrPc	506	Reggae2E	4 / 4	2	92	:
DrPc	507	Regge2A1	4 / 4	1	92	:
DrPc	508	Regge2A2	4 / 4	1	92	:
DrPc	509	Reggae2F	4 / 4	1	92	:
DrPc	510	Reggae2G	4 / 4	1	92	:
DrPc	511	Reggae2H	4 / 4	1	92	:
DrPc	512	SpanishB	4 / 4	2	120	"Hyper Std"
DrPc	513	SpanishC	4 / 4	2	120	:
DrPc	514	SpanishD	4 / 4	2	120	:
DrPc	515	SpanishE	4 / 4	2	120	:
DrPc	516	SpanshA1	4 / 4	1	120	:
DrPc	517	SpanshA2	4 / 4	1	120	:
DrPc	518	SpanishF	4 / 4	1	120	:
DrPc	519	SpanishG	4 / 4	1	120	:
DrPc	520	SpanishH	4 / 4	1	120	:
DrPc	521	TurkshB1	4 / 4	2	105	"Arabic Mix"
DrPc	522	TurkshC1	4 / 4	2	105	:
DrPc	523	TurkshD1	9 / 8	2	125	:
DrPc	524	TurkshE1	9 / 8	2	125	:
DrPc	525	TurkshA1	4 / 4	1	86	:
DrPc	526	TurkshA3	4 / 4	1	86	:
DrPc	527	TurkshF1	4 / 4	2	105	:
DrPc	528	TurkshG1	4 / 4	2	105	:
DrPc	529	TurkshH1	4 / 4	1	120	:
DrPc	530	TurkshB2	4 / 4	2	105	:
DrPc	531	TurkshC2	4 / 4	2	105	:
DrPc	532	TurkshD2	9 / 8	2	125	:
DrPc	533	TurkshE2	9 / 8	2	125	:
DrPc	534	TurkshA2	4 / 4	1	86	:
DrPc	535	TurkshA4	4 / 4	1	86	:
DrPc	536	TurkshF2	4 / 4	2	105	:
DrPc	537	TurkshG2	4 / 4	2	105	:
DrPc	538	TurkshH2	4 / 4	1	120	:
DrPc	539	Roll 1	4 / 4	1	120	GM map kit
DrPc	540	Roll 2	4 / 4	1	120	:
DrPc	541	Roll 3	4 / 4	1	120	:
DrPc	542	Roll 4	4 / 4	1	120	:
DrPc	543	BigBeat4	4 / 4	4	136	"Big Kit"
DrPc	544	BigBeat5	4 / 4	1	135	:
DrPc	545	BigBeat6	4 / 4	1	132	:
DrPc	546	BigBeat7	4 / 4	2	124	:
DrPc	547	BigBeat8	4 / 4	1	120	:
DrPc	548	BrkTrnce	4 / 4	1	130	"Tekno Kit"
DrPc	549	House14	4 / 4	1	123	"House Kit1"
DrPc	550	House15	4 / 4	2	128	:
DrPc	551	LoBeat5	4 / 4	4	180	"Break Kit"
DrPc	552	LoBeat6	4 / 4	1	87	:
DrPc	553	Linear	4 / 4	1	120	:
DrPc	554	08beat1	4 / 4	1	135	Sliced Dr Loop
DrPc	555	08beat2	4 / 4	1	135	:
DrPc	556	08beat3	4 / 4	1	135	:
DrPc	557	16beat1	4 / 4	1	135	:
DrPc	558	16beat2	4 / 4	1	135	:
DrPc	559	1Bar	4 / 4	1	135	:

Category	Arp#	ARP Name	Time Signature	Length	Original Tempo	Voice Type
DrPc	560	1BarRndm	4 / 4	1	135	Sliced Dr Loop
Comb	001	Trancy1	4 / 4	1	140	Performance
Comb	002	Trancy2	4 / 4	4	140	:
Comb	003	Trancy3	4 / 4	16	140	:
Comb	004	SynPopA	4 / 4	4	90	:
Comb	005	SynPopB	4 / 4	4	90	:
Cntr	001	GateCut1	4 / 4	4	120	(CC#10,71,74)
Cntr	002	GateCut2	4 / 4	1	120	(CC#74)
Cntr	003	GateCut3	4 / 4	8	120	(CC#71,74)
Cntr	004	ModCtrl	4 / 4	4	64	(CC#1)
Cntr	005	ModCtrlU	4 / 4	4	90	:
Cntr	006	ArmDown	4 / 4	4	120	(PB, PB Range=12)
Cntr	007	BendVib	4 / 4	4	120	:
Cntr	008	BotDwVib	4 / 4	4	120	:
Cntr	009	BotUpVib	4 / 4	4	120	:
Cntr	010	CHVib	4 / 4	4	120	:
Cntr	011	HamVib	4 / 4	4	120	:
Cntr	012	PullVibA	4 / 4	4	120	:
Cntr	013	PullVibB	4 / 4	4	120	:
Cntr	014	SlideVib	4 / 4	4	120	:
Cntr	015	Trill 4	4 / 4	4	120	:
Cntr	016	Trill 5	4 / 4	4	120	:
Cntr	017	UDCHVib	4 / 4	4	120	:
Cntr	018	Vibra1	4 / 4	4	120	:
Cntr	019	Vibra2	4 / 4	4	120	:
Cntr	020	HipHop2C	4 / 4	2	94	(CC#10)
Cntr	021	HipHop2D	4 / 4	2	94	(CC#71,74)
Cntr	022	HipHop2H	4 / 4	1	94	(CC#71,74)
Cntr	023	ClubHs A	4 / 4	2	128	(CC#10)
Cntr	024	Garage2C	4 / 4	2	127	(CC#74)
Cntr	025	Garage2D	4 / 4	2	127	:
Cntr	026	Garage2G	4 / 4	1	127	:
Cntr	027	NewGos A	4 / 4	1	90	(CC#10,11)
Cntr	028	NewGos C	4 / 4	2	90	:
Cntr	029	NewGos D	4 / 4	2	90	:
Cntr	030	Trance A	4 / 4	4	140	(CC#74)
Cntr	031	Dream A	4 / 4	4	136	:
Cntr	032	ClubHs D	4 / 4	2	128	(CC#71,74)
Cntr	033	ClubHs G	4 / 4	1	128	(CC#71)
Cntr	034	ChllOutB	4 / 4	2	79	(CC#74)
Cntr	035	ChllOutE	4 / 4	2	79	(CC#11,74)
Cntr	036	ChllOutA	4 / 4	4	79	(CC#74)
Cntr	037	ChllOutH	4 / 4	1	79	:

(* Voiceの各Elementに設定する適切なVelocity Limit値: 1-70, 71-90, 91-110, 111-127)
(** contents provided by Keyfax New Media - www.keyfax.com)

プリセットフレーズリスト

Category	Phr#	Phrase Name	Original Tempo
Dr1	001	Funk1 B1	107
Dr1	002	Funk1 C1	107
Dr1	003	Funk1 D1	107
Dr1	004	Funk1 E1	107
Dr1	005	Funk1 A1	107
Dr1	006	Funk1 F1	107
Dr1	007	Funk1 G1	107
Dr1	008	Funk1 H1	107
Dr1	009	Funk1 B2	107
Dr1	010	Funk1 C2	107
Dr1	011	Funk1 D2	107
Dr1	012	Funk1 E2	107
Dr1	013	Funk2 B1	130
Dr1	014	Funk2 C1	130
Dr1	015	Funk2 D1	130
Dr1	016	Funk2 E1	130
Dr1	017	Funk2 A1	130
Dr1	018	Funk2 F1	130
Dr1	019	Funk2 G1	130
Dr1	020	Funk2 H1	130
Dr1	021	Funk2 B2	130
Dr1	022	Funk2 C2	130
Dr1	023	Funk2 D2	130
Dr1	024	Funk2 A2	130
Dr1	025	Funk2 F2	130
Dr1	026	Funk2 G2	130
Dr1	027	Funk3 A	112
Dr1	028	Funk3 B	112
Dr1	029	Funk3 C	112
Dr1	030	Funk3 D	112
Dr1	031	Funk3 E	112
Dr1	032	Funk3 F	112
Dr1	033	Funk3 G	112
Dr1	034	Funk3 H	112
Dr1	035	CoolFnB1	96
Dr1	036	CoolFnC1	96
Dr1	037	CoolFnD1	96
Dr1	038	CoolFnE1	96
Dr1	039	CoolFnA1	96
Dr1	040	CoolFnF1	96
Dr1	041	CoolFnG1	96
Dr1	042	CoolFnH1	96
Dr1	043	CoolFnB2	96
Dr1	044	CoolFnC2	96
Dr1	045	CoolFnD2	96
Dr1	046	CoolFnE2	96
Dr1	047	CoolFnA2	96
Dr1	048	CoolFnF2	96
Dr1	049	CoolFnG2	96
Dr1	050	CoolFnH2	96
Dr1	051	Soul B1	117
Dr1	052	Soul C1	117
Dr1	053	Soul D1	117
Dr1	054	Soul E1	117
Dr1	055	Soul A1	117
Dr1	056	Soul F1	117
Dr1	057	Soul G1	117
Dr1	058	Soul H1	117
Dr1	059	Soul B2	117
Dr1	060	Soul C2	117
Dr1	061	Soul D2	117
Dr1	062	Soul E2	117
Dr1	063	Soul A2	117
Dr1	064	NewR&B1B	97
Dr1	065	NewR&B1C	97
Dr1	066	NewR&B1D	97
Dr1	067	NewR&B1E	97
Dr1	068	NewR&B1A	97
Dr1	069	NewR&B1F	97
Dr1	070	NewR&B1G	97
Dr1	071	NewR&B1H	97

Category	Phr#	Phrase Name	Original Tempo
Dr1	072	NwR&B2B1	90
Dr1	073	NwR&B2C1	90
Dr1	074	NwR&B2D1	90
Dr1	075	NwR&B2E1	90
Dr1	076	NwR&B2A1	90
Dr1	077	NwR&B2F1	90
Dr1	078	NwR&B2G1	90
Dr1	079	NwR&B2H1	90
Dr1	080	NwR&B2B2	90
Dr1	081	NwR&B2C2	90
Dr1	082	NwR&B2D2	90
Dr1	083	NwR&B2E2	90
Dr1	084	NwR&B2A2	90
Dr1	085	NwR&B2G2	90
Dr1	086	NwR&B2H2	90
Dr1	087	FlpHp1B1	132
Dr1	088	FlpHp1C1	132
Dr1	089	FlpHp1D1	132
Dr1	090	FlpHp1E1	132
Dr1	091	FlpHp1A1	132
Dr1	092	FlpHp1F1	132
Dr1	093	FlpHp1G1	132
Dr1	094	FlpHp1H1	132
Dr1	095	FlpHp1B2	132
Dr1	096	FlpHp1C2	132
Dr1	097	FlpHp1D2	132
Dr1	098	FlpHp1E2	132
Dr1	099	FlpHp1A2	132
Dr1	100	FlpHp1F2	132
Dr1	101	FlpHp1G2	132
Dr1	102	FlpHp1H2	132
Dr1	103	FlpHp1D3	132
Dr1	104	FlpHp1E3	132
Dr1	105	FlpHp1F3	132
Dr1	106	FlpHp2A	125
Dr1	107	FlpHp2B	125
Dr1	108	FlpHp2C	125
Dr1	109	FlpHp2D	125
Dr1	110	FlpHp2E	125
Dr1	111	FlpHp2F	125
Dr1	112	FlpHp2G	125
Dr1	113	FlpHp2H	125
Dr1	114	HipHp1B1	105
Dr1	115	HipHp1C1	105
Dr1	116	HipHp1D1	105
Dr1	117	HipHp1E1	105
Dr1	118	HipHp1A1	105
Dr1	119	HipHp1F1	105
Dr1	120	HipHp1G1	105
Dr1	121	HipHp1H1	105
Dr1	122	HipHp1C2	105
Dr1	123	HipHp1D2	105
Dr1	124	HipHp1E2	105
Dr1	125	HipHp1F2	105
Dr1	126	HipHp1H2	105
Dr1	127	HipHp2B1	94
Dr1	128	HipHp2C1	94
Dr1	129	HipHp2D1	94
Dr1	130	HipHp2E1	94
Dr1	131	HipHp2A1	94
Dr1	132	HipHp2F1	94
Dr1	133	HipHp2G1	94
Dr1	134	HipHp2H1	94
Dr1	135	HipHp2B2	94
Dr1	136	HipHp2C2	94
Dr1	137	HipHp2D2	94
Dr1	138	HipHp2E2	94
Dr1	139	HipHp2A2	94
Dr1	140	HipHp2F2	94
Dr1	141	HipHp2G2	94
Dr1	142	HipHp2H2	94

Category	Phr#	Phrase Name	Original Tempo
Dr1	143	ClsHipB1	90
Dr1	144	ClsHipC1	90
Dr1	145	ClsHipD1	90
Dr1	146	ClsHipE1	90
Dr1	147	ClsHipA1	90
Dr1	148	ClsHipG1	90
Dr1	149	ClsHipH1	90
Dr1	150	ClsHipB2	90
Dr1	151	ClsHipC2	90
Dr1	152	ClsHipD2	90
Dr1	153	ClsHipE2	90
Dr1	154	ClsHipA2	90
Dr1	155	ClsHipH2	90
Dr1	156	GangstaA	98
Dr1	157	GangstaB	98
Dr1	158	GangstaC	98
Dr1	159	GangstaD	98
Dr1	160	GangstaE	98
Dr1	161	GangstaF	98
Dr1	162	GangstaG	98
Dr1	163	GangstaH	98
Dr1	164	i-Hop A	98
Dr1	165	i-Hop B	98
Dr1	166	i-Hop C	98
Dr1	167	i-Hop D	98
Dr1	168	i-Hop E	98
Dr1	169	i-Hop F	98
Dr1	170	i-Hop G	98
Dr1	171	i-Hop H	98
Dr1	172	Smooth1B	115
Dr1	173	Smooth1C	115
Dr1	174	Smooth1D	115
Dr1	175	Smooth1E	115
Dr1	176	Smooth1A	115
Dr1	177	Smooth1F	115
Dr1	178	Smooth1G	115
Dr1	179	Smooth1H	115
Dr1	180	Smooth2A	64
Dr1	181	Smooth2B	64
Dr1	182	Smooth2C	64
Dr1	183	Smooth2D	64
Dr1	184	Smooth2E	64
Dr1	185	Smooth2F	64
Dr1	186	Smooth2G	64
Dr1	187	Smooth2H	64
Dr1	188	NewGos B	90
Dr1	189	NewGos C	90
Dr1	190	NewGos D	90
Dr1	191	NewGos E	90
Dr1	192	NewGos A	90
Dr1	193	NewGos F	90
Dr1	194	NewGos G	90
Dr1	195	NewGos H	90
Dr1	196	Gospel A	90
Dr1	197	Gospel B	90
Dr1	198	Gospel C	90
Dr1	199	Gospel D	90
Dr1	200	Gospel E	90
Dr1	201	Gospel F	90
Dr1	202	Gospel G	90
Dr1	203	Gospel H	90
Dr1	204	6/8R&B B	61
Dr1	205	6/8R&B C	61
Dr1	206	6/8R&B D	61
Dr1	207	6/8R&B E	61
Dr1	208	6/8R&B A	61
Dr1	209	6/8R&B F	61
Dr1	210	6/8R&B G	61
Dr1	211	6/8R&B H	61
Dr1	212	CmbJazzB	204
Dr1	213	CmbJazzC	204

Category	Phr#	Phrase Name	Original Tempo
Dr1	214	CmbJazzD	204
Dr1	215	CmbJazzE	204
Dr1	216	CmbJazzA	204
Dr1	217	CmbJazzF	204
Dr1	218	CmbJazzG	204
Dr1	219	CmbJazzH	204
Dr1	220	Bebop A	152
Dr1	221	Bebop B	152
Dr1	222	Bebop C	152
Dr1	223	Bebop D	152
Dr1	224	Bebop E	152
Dr1	225	Bebop F	152
Dr1	226	Bebop G	152
Dr1	227	Bebop H	152
Dr2	001	FolkRkB1	118
Dr2	002	FolkRkC1	118
Dr2	003	FolkRkD1	118
Dr2	004	FolkRkE1	118
Dr2	005	FolkRkA1	118
Dr2	006	FolkRkF1	118
Dr2	007	FolkRkG1	118
Dr2	008	FolkRkH1	118
Dr2	009	FolkRkC2	118
Dr2	010	FolkRkE2	118
Dr2	011	FolkRkH2	118
Dr2	012	SoftRckB	75
Dr2	013	SoftRckC	75
Dr2	014	SoftRckD	75
Dr2	015	SoftRckE	75
Dr2	016	SoftRckA	75
Dr2	017	SoftRckF	75
Dr2	018	SoftRckG	75
Dr2	019	SoftRckH	75
Dr2	020	Ballad1A	72
Dr2	021	Ballad1B	72
Dr2	022	Ballad1C	72
Dr2	023	Ballad1D	72
Dr2	024	Ballad1E	72
Dr2	025	Ballad1F	72
Dr2	026	Ballad1G	72
Dr2	027	Ballad1H	72
Dr2	028	Ballad2A	72
Dr2	029	Ballad2B	72
Dr2	030	Ballad2C	72
Dr2	031	Ballad2D	72
Dr2	032	Ballad2E	72
Dr2	033	Ballad2F	72
Dr2	034	Ballad2G	72
Dr2	035	Ballad2H	72
Dr2	036	UnplugB1	120
Dr2	037	UnplugC1	120
Dr2	038	UnplugD1	120
Dr2	039	UnplugE1	120
Dr2	040	UnplugA1	120
Dr2	041	UnplugF1	120
Dr2	042	UnplugG1	120
Dr2	043	UnplugH1	120
Dr2	044	UnplugB2	120
Dr2	045	UnplugC2	120
Dr2	046	UnplugD2	120
Dr2	047	UnplugE2	120
Dr2	048	UnplugA2	120
Dr2	049	UnplugF2	120
Dr2	050	UnplugG2	120
Dr2	051	UnplugH2	120
Dr2	052	FngrPckB	94
Dr2	053	FngrPckC	94
Dr2	054	FngrPckD	94
Dr2	055	FngrPckE	94
Dr2	056	FngrPckA	94
Dr2	057	FngrPckF	94

Category	Phr#	Phrase Name	Original Tempo
Dr2	058	FngrPckG	94
Dr2	059	FngrPckH	94
Dr2	060	SlowflB	74
Dr2	061	SlowflC1	74
Dr2	062	SlowflD1	74
Dr2	063	SlowflE1	74
Dr2	064	SlowflA1	74
Dr2	065	SlowflF1	74
Dr2	066	SlowflG1	74
Dr2	067	SlowflH1	74
Dr2	068	SlowflB2	74
Dr2	069	SlowflC2	74
Dr2	070	SlowflD2	74
Dr2	071	SlowflE2	74
Dr2	072	SlowflA2	74
Dr2	073	SlowflF2	74
Dr2	074	SlowflG2	74
Dr2	075	GtrPopB1	90
Dr2	076	GtrPopC1	90
Dr2	077	GtrPopD1	90
Dr2	078	GtrPopE1	90
Dr2	079	GtrPopA1	90
Dr2	080	GtrPopF1	90
Dr2	081	GtrPopG1	90
Dr2	082	GtrPopH1	90
Dr2	083	GtrPopB2	90
Dr2	084	GtrPopC2	90
Dr2	085	GtrPopD2	90
Dr2	086	GtrPopE2	90
Dr2	087	GtrPopA2	90
Dr2	088	GtrPopF2	90
Dr2	089	GtrPopG2	90
Dr2	090	GtrPopH2	90
Dr2	091	GtrPopD3	90
Dr2	092	GtrPopE3	90
Dr2	093	GtrPopF3	90
Dr2	094	GtrPopG3	90
Dr2	095	AnaPopB1	93
Dr2	096	AnaPopC1	93
Dr2	097	AnaPopD1	93
Dr2	098	AnaPopE1	93
Dr2	099	AnaPopA1	93
Dr2	100	AnaPopF1	93
Dr2	101	AnaPopG1	93
Dr2	102	AnaPopH1	93
Dr2	103	AnaPopC2	93
Dr2	104	AnaPopE2	93
Dr2	105	AnaPopA2	93
Dr2	106	AnaPopF2	93
Dr2	107	AnaPopG2	93
Dr2	108	PnClubB1	96
Dr2	109	PnClubC1	96
Dr2	110	PnClubD1	96
Dr2	111	PnClubE1	96
Dr2	112	PnClubA1	96
Dr2	113	PnClubF1	96
Dr2	114	PnClubG1	96
Dr2	115	PnClubH1	96
Dr2	116	PnClubB2	96
Dr2	117	PnClubC2	96
Dr2	118	PnClubD2	96
Dr2	119	PnClubE2	96
Dr2	120	PnClubA2	96
Dr2	121	PnClubF2	96
Dr2	122	PnClubG2	96
Dr2	123	PnClubH2	96
Dr2	124	70sRockB	130
Dr2	125	70sRockC	130
Dr2	126	70sRockD	130
Dr2	127	70sRockE	130
Dr2	128	70sRockA	130

Category	Phr#	Phrase Name	Original Tempo
Dr2	129	70sRockF	130
Dr2	130	70sRockG	130
Dr2	131	70sRockH	130
Dr2	132	PopRck1A	126
Dr2	133	PopRck1B	126
Dr2	134	PopRck1C	126
Dr2	135	PopRck1D	126
Dr2	136	PopRck1E	126
Dr2	137	PopRck1F	126
Dr2	138	PopRck1G	126
Dr2	139	PopRck1H	126
Dr2	140	PopRck2A	120
Dr2	141	PopRck2B	120
Dr2	142	PopRck2C	120
Dr2	143	PopRck2D	120
Dr2	144	PopRck2E	120
Dr2	145	PopRck2F	120
Dr2	146	PopRck2G	120
Dr2	147	PopRck2H	120
Dr2	148	MondoRkA	94
Dr2	149	MondoRkB	94
Dr2	150	MondoRkC	94
Dr2	151	MondoRkD	94
Dr2	152	MondoRkE	94
Dr2	153	MondoRkF	94
Dr2	154	MondoRkG	94
Dr2	155	MondoRkH	94
Dr2	156	XovrRkB1	100
Dr2	157	XovrRkC1	100
Dr2	158	XovrRkD1	100
Dr2	159	XovrRkE1	100
Dr2	160	XovrRkA1	100
Dr2	161	XovrRkF1	100
Dr2	162	XovrRkG1	100
Dr2	163	XovrRkH1	100
Dr2	164	XovrRkF2	100
Dr2	165	XovrRkG2	100
Dr2	166	LatnRkB1	120
Dr2	167	LatnRkC1	120
Dr2	168	LatnRkD1	120
Dr2	169	LatnRkE1	120
Dr2	170	LatnRkA1	120
Dr2	171	LatnRkF1	120
Dr2	172	LatnRkG1	120
Dr2	173	LatnRkH1	120
Dr2	174	LatnRkB2	120
Dr2	175	LatnRkC2	120
Dr2	176	LatnRkD2	120
Dr2	177	LatnRkE2	120
Dr2	178	LatnRkA2	120
Dr2	179	LatnRkF2	120
Dr2	180	LatnRkG2	120
Dr2	181	LatnRkH2	120
Dr3	001	TranceB1	140
Dr3	002	TranceC1	140
Dr3	003	TranceD1	140
Dr3	004	TranceE1	140
Dr3	005	TranceA1	140
Dr3	006	TranceG1	140
Dr3	007	TranceH1	140
Dr3	008	TranceB2	140
Dr3	009	TranceC2	140
Dr3	010	TranceD2	140
Dr3	011	TranceE2	140
Dr3	012	TranceA2	140
Dr3	013	TranceF2	140
Dr3	014	TranceH2	140
Dr3	015	Dream B1	136
Dr3	016	Dream C1	136
Dr3	017	Dream D1	136
Dr3	018	Dream E1	136

Category	Phr#	Phrase Name	Original Tempo
Dr3	019	Dream A1	136
Dr3	020	Dream G1	136
Dr3	021	Dream H1	136
Dr3	022	Dream B2	136
Dr3	023	Dream E2	136
Dr3	024	Dream H2	136
Dr3	025	Dream F3	136
Dr3	026	EuroTekA	140
Dr3	027	EuroTekB	140
Dr3	028	EuroTekC	140
Dr3	029	EuroTekD	140
Dr3	030	EuroTekE	140
Dr3	031	EuroTekF	140
Dr3	032	EuroTekG	140
Dr3	033	EuroTekH	140
Dr3	034	House A	125
Dr3	035	House B	125
Dr3	036	House C	125
Dr3	037	House D	125
Dr3	038	House E	125
Dr3	039	House F	125
Dr3	040	House G	125
Dr3	041	House H	125
Dr3	042	Ibiza B1	130
Dr3	043	Ibiza C1	130
Dr3	044	Ibiza B2	130
Dr3	045	Ibiza C2	130
Dr3	046	Ibiza D2	130
Dr3	047	Ibiza E2	130
Dr3	048	Ibiza A2	130
Dr3	049	Ibiza F2	130
Dr3	050	Ibiza G2	130
Dr3	051	Ibiza B3	130
Dr3	052	Ibiza C3	130
Dr3	053	Ibiza D3	130
Dr3	054	Ibiza E3	130
Dr3	055	Ibiza A3	130
Dr3	056	Ibiza F3	130
Dr3	057	Ibiza G3	130
Dr3	058	Ibiza H3	130
Dr3	059	ClubHsB1	128
Dr3	060	ClubHsC1	128
Dr3	061	ClubHsD1	128
Dr3	062	ClubHsE1	128
Dr3	063	ClubHsA1	128
Dr3	064	ClubHsF1	128
Dr3	065	ClubHsG1	128
Dr3	066	ClubHsH1	128
Dr3	067	ClubHsB2	128
Dr3	068	ClubHsC2	128
Dr3	069	ClubHsD2	128
Dr3	070	ClubHsE2	128
Dr3	071	ClubHsA2	128
Dr3	072	ClubHsF2	128
Dr3	073	ClubHsG2	128
Dr3	074	ClubHsH2	128
Dr3	075	GarageB1	127
Dr3	076	GarageC1	127
Dr3	077	GarageD1	127
Dr3	078	GarageE1	127
Dr3	079	GarageA1	127
Dr3	080	GarageF1	127
Dr3	081	GarageG1	127
Dr3	082	GarageH1	127
Dr3	083	GarageB2	127
Dr3	084	GarageC2	127
Dr3	085	GarageD2	127
Dr3	086	GarageA2	127
Dr3	087	GarageF2	127
Dr3	088	GarageG2	127
Dr3	089	GarageH2	127

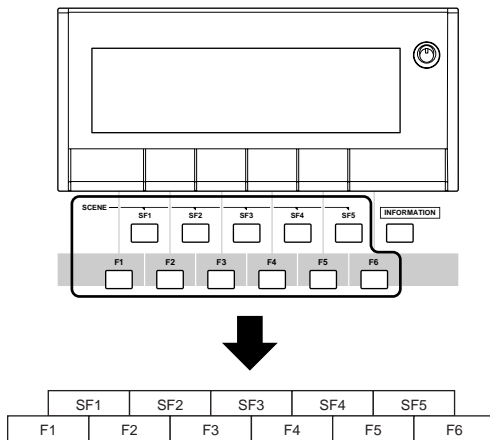
Category	Phr#	Phrase Name	Original Tempo
Dr3	090	LatnHsB1	138
Dr3	091	LatnHsC1	138
Dr3	092	LatnHsD1	138
Dr3	093	LatnHsE1	138
Dr3	094	LatnHsF1	138
Dr3	095	LatnHsH1	138
Dr3	096	LatnHsC2	138
Dr3	097	LatnHsE2	138
Dr3	098	LatnHsA2	138
Dr3	099	LatnHsF2	138
Dr3	100	LatnHsG2	138
Dr3	101	LatnHsH2	138
Dr3	102	ChlOutB1	79
Dr3	103	ChlOutC1	79
Dr3	104	ChlOutD1	79
Dr3	105	ChlOutE1	79
Dr3	106	ChlOutA1	79
Dr3	107	ChlOutF1	79
Dr3	108	ChlOutG1	79
Dr3	109	ChlOutH1	79
Dr3	110	ChlOutB2	79
Dr3	111	ChlOutC2	79
Dr3	112	ChlOutD2	79
Dr3	113	ChlOutE2	79
Dr3	114	ChlOutA2	79
Dr3	115	ChlOutF2	79
Dr3	116	ChlOutG2	79
Dr3	117	ChlOutH2	79
Dr3	118	SynPop B	90
Dr3	119	SynPop C	90
Dr3	120	SynPop D	90
Dr3	121	SynPop E	90
Dr3	122	SynPop A	90
Dr3	123	SynPop F	90
Dr3	124	SynPop G	90
Dr3	125	SynPop H	90
Dr3	126	RtrPopB1	126
Dr3	127	RtrPopC1	126
Dr3	128	RtrPopD1	126
Dr3	129	RtrPopE1	126
Dr3	130	RtrPopA1	126
Dr3	131	RtrPopF1	126
Dr3	132	RtrPopG1	126
Dr3	133	RtrPopH1	126
Dr3	134	RtrPopB2	126
Dr3	135	RtrPopC2	126
Dr3	136	RtrPopE2	126
Dr3	137	RtrPopA2	126
Dr3	138	RtrPopF2	126
Dr3	139	RtrPopG2	126
Dr3	140	RtrPopH2	126
Dr3	141	Disco B1	110
Dr3	142	Disco C1	110
Dr3	143	Disco D1	110
Dr3	144	Disco E1	110
Dr3	145	Disco F1	110
Dr3	146	Disco G1	110
Dr3	147	Disco H1	110
Dr3	148	Disco B2	110
Dr3	149	Disco C2	110
Dr3	150	Disco D2	110
Dr3	151	Disco E2	110
Dr3	152	Disco A2	110
Dr3	153	Disco F2	110
Dr3	154	Disco G2	110
Dr3	155	DrumBaA	154
Dr3	156	DrumBaB	154
Dr3	157	DrumBaC	154
Dr3	158	DrumBaD	154
Dr3	159	DrumBaE	154
Dr3	160	DrumBaF	154

Category	Phr#	Phrase Name	Original Tempo
Dr3	161	DrumBaG	154
Dr3	162	DrumBaH	154
Dr4	001	Samba B1	114
Dr4	002	Samba D1	114
Dr4	003	Samba E1	114
Dr4	004	Samba A1	114
Dr4	005	Samba F1	114
Dr4	006	Samba G1	114
Dr4	007	Samba H1	114
Dr4	008	Samba B2	114
Dr4	009	Samba C2	114
Dr4	010	Samba D2	114
Dr4	011	Samba E2	114
Dr4	012	Samba A2	114
Dr4	013	Samba F2	114
Dr4	014	Samba G2	114
Dr4	015	Samba H2	114
Dr4	016	Salsa B1	123
Dr4	017	Salsa C1	123
Dr4	018	Salsa D1	123
Dr4	019	Salsa E1	123
Dr4	020	Salsa A1	123
Dr4	021	Salsa F1	123
Dr4	022	Salsa G1	123
Dr4	023	Salsa H1	123
Dr4	024	Salsa B2	123
Dr4	025	Salsa C2	123
Dr4	026	Salsa D2	123
Dr4	027	Salsa E2	123
Dr4	028	Salsa A2	123
Dr4	029	Salsa F2	123
Dr4	030	Salsa G2	123
Dr4	031	Salsa H2	123
Dr4	032	MontnoB1	100
Dr4	033	MontnoC1	100
Dr4	034	MontnoD1	100
Dr4	035	MontnoE1	100
Dr4	036	MontnoA1	100
Dr4	037	MontnoF1	100
Dr4	038	MontnoG1	100
Dr4	039	MontnoH1	100
Dr4	040	MontnoB2	100
Dr4	041	MontnoC2	100
Dr4	042	MontnoD2	100
Dr4	043	MontnoE2	100
Dr4	044	MontnoA2	100
Dr4	045	MontnoF2	100
Dr4	046	MontnoG2	100
Dr4	047	MontnoH2	100
Dr4	048	Latin A	120
Dr4	049	Latin B	120
Dr4	050	Latin C	120
Dr4	051	Latin D	120
Dr4	052	Latin E	120
Dr4	053	Latin F	120
Dr4	054	Latin G	120
Dr4	055	Latin H	120
Dr4	056	Regge1B1	102
Dr4	057	Regge1C1	102
Dr4	058	Regge1D1	102
Dr4	059	Regge1E1	102
Dr4	060	Regge1A1	102
Dr4	061	Regge1F1	102
Dr4	062	Regge1G1	102
Dr4	063	Regge1H1	102
Dr4	064	Regge1B2	102
Dr4	065	Regge1C2	102
Dr4	066	Regge1D2	102
Dr4	067	Regge1E2	102
Dr4	068	Regge1A2	102
Dr4	069	Regge1F2	102

Category	Phr#	Phrase Name	Original Tempo
Dr4	070	Regge2B1	92
Dr4	071	Regge2C1	92
Dr4	072	Regge2D1	92
Dr4	073	Regge2E1	92
Dr4	074	Regge2A1	92
Dr4	075	Regge2F1	92
Dr4	076	Regge2G1	92
Dr4	077	Regge2H1	92
Dr4	078	Regge2B2	92
Dr4	079	Regge2C2	92
Dr4	080	Regge2D2	92
Dr4	081	Regge2E2	92
Dr4	082	Regge2A2	92
Dr4	083	Regge2F2	92
Dr4	084	Regge2G2	92
Dr4	085	Regge2H2	92
Dr4	086	SpanshB1	120
Dr4	087	SpanshC1	120
Dr4	088	SpanshD1	120
Dr4	089	SpanshE1	120
Dr4	090	SpanshA1	120
Dr4	091	SpanshF1	120
Dr4	092	SpanshG1	120
Dr4	093	SpanshH1	120
Dr4	094	SpanshB2	120
Dr4	095	SpanshC2	120
Dr4	096	SpanshD2	120
Dr4	097	SpanshE2	120
Dr4	098	SpanshA2	120
Dr4	099	SpanshF2	120
Dr4	100	SpanshG2	120
Dr4	101	SpanshH2	120
Dr4	102	TurkshB1	105
Dr4	103	TurkshC1	105
Dr4	104	TurkshD1	125
Dr4	105	TurkshE1	125
Dr4	106	TurkshA1	86
Dr4	107	TurkshF1	105
Dr4	108	TurkshG1	105
Dr4	109	TurkshH1	105
Dr4	110	TurkshB2	105
Dr4	111	TurkshC2	105
Dr4	112	TurkshD2	125
Dr4	113	TurkshE2	125
Dr4	114	TurkshA2	86
Dr4	115	TurkshF2	105
Dr4	116	TurkshG2	105
Dr4	117	TurkshH2	105

リモートコントロール機能一覧表

下記一覧表は、取扱説明書150ページ～152ページと合わせてご覧ください。



■ ヤマハSOL2/SQ01 V2/マルチパートエディターをリモートコントロールする場合

[F1]～[F6]、[SF1]～[SF5]ボタンに割り当てられる機能

PAN/SEND	PAGE1						
	SEND	GROUP	NAME/VALUE	DIAL RESET	KN1-4/5-8		
	PAN	DYNAMICS	EFFECT	BANK-L	BANK-R	SHIFT	
TONE	FADER BANKS						
	FLIP		NAME/VALUE	DIAL RESET	KN1-4/5-8		
	SOLO	REC/RDY		BANK-L	BANK-R	SHIFT	
ARP FX	MIXER/LAYER						
	INST	AUX/BUS	NAME/VALUE	DIAL RESET	KN1-4/5-8		
	AUDIO	MIDI	OTHER	BANK-L	BANK-R	SHIFT	
EQ	PAGE2						
	EQ LOW	EQ HIGH-MID	NAME/VALUE	DIAL RESET	KN1-4/5-8		
	SEL CH	EQ LOW-MID	EQ HIGH	BANK-L	BANK-R	SHIFT	
PAN/SEND	PAGE1						
	F5	F6	F7	F8	KN1-4/5-8		
TONE	F1	F2	F3	F4		SHIFT	
TONE	PAGE2						
			NAME/VALUE	DIAL RESET	KN1-4/5-8		
ARP FX				BANK-L	BANK-R	SHIFT	
ARP FX	PAGE1						
	CURSOR-L	CURSOR-R	SCRUB	DIAL RESET	KN1-4/5-8		
EQ	CURSOR-DWN	CURSOR-UP	ZOOM	BANK-L	BANK-R	SHIFT	

操作子	機能
全モード共通	
[DISPLAY UP] [DISPLAY DOWN]	編集するパラメーターの切り替え
[NAME/VALUE]	パラメーター名/パラメーター値表示の切り替え
[SHIFT]+[NAME/VALUE]	メーター表示の種類を切り替え
[ON] (通常時)	各チャンネルのオン/オフ(ミュート解除/ミュート)
[SHIFT]+マスターチャンネルの[ON] (通常時)	マスターチャンネルを含む全チャンネルのオン(ミュート解除/ミュート)
[SHIFT]+各チャンネルの[ON] (通常時)	マスターチャンネルを除く全チャンネルのオン(ミュート解除/ミュート)
[ON] ([SOLO]ボタン点灯時)	各チャンネルのソロオン/オフ(チャンネルモジュール/ソフトウェア音源モジュールのみ)
[SHIFT]+[ON] ([SOLO]ボタン点灯時)	全チャンネルのソロオン/オフ(チャンネルモジュール/ソフトウェア音源モジュールのみ)
[SOLO]	[ON]の機能をソロにする
[SHIFT]+[SOLO]	ソロ/ミュートの設定(トラックビューウィンドウ内の選択トラック)
[SHIFT]+[REC RDY]	トラックレコードのオン/オフを設定
[AUDIO]	Audio Mixerを起動または最前面に移動。チャンネルモジュールを操作の対象にする
[INST]	Audio Mixerを起動または最前面に移動。ソフトウェア音源モジュールを操作の対象にする
[MIDI]	MIDI Editor (Multi Part Editor)を起動または最前面に移動
[AUX/BUS]	AUX/BUSウィンドウを開くまたは最前面に移動(Audio Mixer起動時)
[OTHER]	Audio Mixerを起動または最前面に移動。エフェクトモジュールを操作の対象にする(R側の設定はPANのみ有効)
[BANK </>]	表示トラックを8チャンネル単位で切り替え
[SHIFT]+[F1]	トラックビューウィンドウを最前面に移動(選択中のソングが対象)
[SHIFT]+[F2]	ミキサーウィンドウ(Audio Mixer/Multi Part Editor)を起動/最前面に移動
[SHIFT]+[F3]	リストウィンドウを開く/最前面に移動
[SHIFT]+[F4]	選択中のウィンドウを閉じる
[SHIFT]+[F5]	ピアノロールウィンドウを開く/最前面に移動
[SHIFT]+[F6]	スタッフウィンドウ(SOLのみ)を開く/最前面に移動
[SHIFT]+[F7]	TWE (ウェーブエディター)を起動
[SHIFT]+[F8]	トランスポート(トランスポートバー /ロケーションバー /レコード)の表示/非表示の切り替え
[RWD]	押している間巻き戻し
[FF]	押している間早送り
[STOP]	停止。停止中に押すとソングの先頭に移動
[PLAY]	再生
[REC]	録音スタンバイ状態の設定/解除。録音中は[PLAY]と[REC]のLEDが点灯
[SCRUB]	ダイヤルによるSCRUB移動(ソングポジション移動)のしかたを切り替え。オン時はトラックビュー上のグリッド単位。オフ時は小節単位
[UP] ([ZOOM]消灯時)	選択トラックを上方向へ移動
[DOWN] ([ZOOM]消灯時)	選択トラックを下方向へ移動
[LEFT] ([ZOOM]消灯時)	次のブロックを選択
[RIGHT] ([ZOOM]消灯時)	前のブロックを選択
[ZOOM]	ズームオン/オフの切り替え
[UP]/[DOWN]/[LEFT]/[RIGHT] ([ZOOM]点灯時)	アクティブなトラックビュー、スタッフウィンドウ (SOLのみ)、ピアノウィンドウ、ドラムウィンドウ (SOLのみ)をズームイン/ズームアウト
PANモード [PAN]	
ノブ1-8 (回す)	パンの編集 (1ページ)
ノブ1-8 (回す)	インプットレベルの編集 (2ページ)
[SHIFT]+ノブ1-8 (押す)	初期値 (CENTER/0.00)に戻す
AUX SENDモード [SEND] (AUX/BUSウィンドウ時は無効)	
ノブ1-8(回す)	AUXセンドレベルの編集
[SHIFT]+ノブ1-8(押す)	初期値(-∞)に戻す
EFF SENDモード [EFFECT] (AUX/BUSウィンドウ時は無効)	
ノブ1-8	エフェクトセンドレベルの編集
[SHIFT]+ノブ1-8	初期値(-∞)に戻す

Logicをリモートコントロールする場合

[F1]～[F6]、[SF1]～[SF5]ボタンに割り当てられる機能

ASSIGNMENT

PAN/SEND	SEND	PLUG-IN	INSTRUMENT	DIAL RESET	KN1-4/5-8	
	TRACK	PAN/SURND	EQ	BANK-L	BANK-R	SHIFT

FADER BANKS

TONE	FLIP	NAME/VALUE	DIAL RESET	KN1-4/5-8	
	CHANNEL-L	CHANNEL-R	BANK-L	BANK-R	SHIFT

GLOBAL VIEW

ARP FX	AUX	BUSSES	OUTPUTS	USER	KN1-4/5-8	
	MIDI TR	INPUTS	AUDIO TR	AUDIO INST	GLOBAL VIEW	SHIFT

UTILITIES

EQ	SAVE	UNDO	NAME/VALUE	DIAL RESET	KN1-4/5-8
	CANCEL	ENTER	BANK-L	BANK-R	SHIFT

PAN/SEND

	F5	F6	F7	F8	KN1-4/5-8
TONE	F1	F2	F3	F4	SHIFT

TONE

	NUDGE	DROP	CLICK	DIAL RESET	KN1-4/5-8
ARP FX	MARKER	CYCLE	REPLACE	SOLO	SHIFT

ARP FX

	CURSOR-L	CURSOR-R	SCRUB	DIAL RESET	KN1-4/5-8	
EQ	CURSOR-DWN	CURSOR-UP	ZOOM	BANK-L	BANK-R	SHIFT

操作子	機能
全モード共通	
[NAME/VALUE]	パラメーター名/パラメーター値表示の切り替え
[SHIFT]+[NAME/VALUE]	メーター表示の種類を切り替え
[SEL]	各チャンネルの選択
[MUTE]	各チャンネルのミュートオン/オフ
[OPTION]+[MUTE]	全チャンネルのミュートオフ
[SOLO]	各チャンネルのソロオン/オフ
[OPTION]+[SOLO]	全チャンネルのソロオフ
[REC RDY]	各チャンネルのREC RDYオン/オフ
[OPTION]+[REC RDY]	全チャンネルのREC RDYオフ
[MIDI TR]	グローバルビューモードをアクティブにし、MIDIトラックをマルチチャンネルビューの状態に表示
[INPUT]	グローバルビューモードをアクティブにし、AUDIO INPUT オブジェクトをマルチチャンネルビューの状態に表示
[AUDIO TR]	グローバルビューモードをアクティブにし、オーディオトラックをマルチチャンネルビューの状態に表示
[AUDIO INST]	グローバルビューモードをアクティブにし、オーディオインストゥルメントトラックをマルチチャンネルビューの状態に表示
[AUX]	グローバルビューモードをアクティブにし、AUXオブジェクトをマルチチャンネルビューの状態に表示
[BUSSES]	グローバルビューモードをアクティブにし、BUSオブジェクトをマルチチャンネルビューの状態に表示
[OUTPUT]	グローバルビューモードをアクティブにし、AUDIO OUTPUT オブジェクトをマルチチャンネルビューの状態に表示
[GLOBAL VIEW]	グローバルビューモードとトラックビューモードの切り替え
[BANK </>]	表示トラックを8チャンネル単位で切り替え
[CHANNEL </>]	表示トラックを1チャンネル単位で移動
[SHIFT]+[FLIP]	チャンネルノブとフェーダー機能の入れ替え
[FLIP]	チャンネルノブの機能をフェーダーに割り当てる
[NUDGE]	ナッジON/OFFを設定
[SHIFT]+[NUDGE]	ナッジオプションモードに入る
[CYCLE]	ループON/OFFを設定
[SHIFT]+[CYCLE]	サイクルオプションモードに入る
[F1] - [F7]	スクリーンセット1～7の呼び出し
[F8]	一番手前にあるウィンドウやフローティングウィンドウを閉じる
[UNDO]	アンドゥ(取り消し)実行
[SHIFT]+[UNDO]	リドゥ(やり直し)実行

操作子	機能
[SAVE]	セーブ(保存)オフ
[MARKER]	マーカーオン/オフの切り替え
[SHIFT]+[MARKER]	マーカーオプションモードに入る
[RWD]	一度押すと巻き戻しを実行。繰り返し押すと動きが速くなっていく。マーカーオン時は前のマーカーに移動。NUDGEオン時は選択オブジェクトを左側に移動
[FF]	一度押すと早送りを実行。繰り返し押すと動きが速くなっていく。マーカーオン時は次のマーカーに移動。NUDGEオン時は選択オブジェクトを右側に移動
[STOP]	停止。停止中に押すとソングの先頭に移動
[PLAY]	再生
[REC]	録音開始。録音待機ではなく直接録音を開始される。録音中は[PLAY] [REC]のLEDが点灯
[ZOOM]	ズームオン/オフの切り替え
[SCRUB]	スクラップオン/オフの切り替え。オン時はダイヤルでスクラッププレイ。オフ時はダイヤルでソングポジションを移動
PANモード [PAN] (マルチチャンネルビュー) [PAN]→[PAN] (PAN/SURROUND)のトラックパラメータービュー)	
カーソル[LEFT] カーソル[RIGHT] (マルチチャンネルビュー時)	編集するパラメーターの切り替え
ノブ 1-8 (回す/回す→押す)	パラメーターの編集。「Pan」か「Surround」かのモード選択については、ノブを回して点滅表示とし、ノブ押しで確定とする。
ノブ 1-8 (押す) (モード以外のパラメーター)	デフォルト(初期値)に戻す
EQ モード [EQ] (マルチチャンネルビュー) [EQ]→[EQ] (トラックパラメータービュー)	
カーソル [UP]/[DOWN] (マルチチャンネルビュー時)	スロット番号切り替え
カーソル[LEFT] カーソル[RIGHT] (マルチチャンネルビュー時)	編集するパラメーターの切り替え
カーソル[LEFT] カーソル[RIGHT] (トラックパラメータービュー時)	EQ 1/2とEQ3/4の切り替え
ノブ 1-8 (回す)	パラメーターの編集
ノブ 1-8 (押す) (編集パラメーターがタイプ のとき)	EQのバイパスオン/オフの設定
ノブ 1-8 (押す) (編集パラメーターがタイプ 以外のとき)	デフォルト(初期値)に戻す
SENDモード [SEND] (マルチチャンネルビュー) [SEND]→[SEND] (トラックパラメータービュー)	
カーソル [UP]/[DOWN] (マルチチャンネルビュー時)	スロット番号切り替え
カーソル[LEFT] カーソル[RIGHT] (マルチチャンネルビュー時)	編集するパラメーターの切り替え
カーソル[LEFT] カーソル[RIGHT] (トラックパラメーター ビュー時)	SEND 1/2とSEND3/4...の切り替え
ノブ 1-8 (回す/回す→押す)	パラメーターの編集。センドの出力先については、ノブを回して点滅表示(LCDがパラメーター値表示の場合)とし、ノブ押しで確定とする
ノブ 1-8 (押す) (編集パラメーターがセンド レベルのとき)	デフォルト(初期値)に戻す
ノブ 1-8 (押す) (編集パラメーターがPRE/ POST、ミュートのとき)	設定の切り替え
PLUG-INモード [PLUG-IN] (マルチチャンネルビュー) [PLUG-IN] → [PLUG-IN] (トラックパラメータービュー)	
カーソル [UP]/[DOWN] (マルチチャンネルビュー時)	スロット番号切り替え
ノブ 1-8 (回す→押す)	インサートするプラグインを選択。ノブを回して点滅表示(LCDがパラメーター値表示の場合)とし、ノブ押しで確定とする
ノブ 1-8 (押す) (プラグインが割り当てられ ているノブ)	パラメーターページに移行。LOGIC上のエディター画面を開く
ノブ 1-8 (回す) (パラメーターページ)	パラメーター値の編集
ノブ 1-8 (押す) (パラメーターページ)	デフォルト(初期値)に戻す(戻せないパラメーターもあり)
カーソル[LEFT] カーソル[RIGHT] (パラメーターページ)	ページの切り替え
[PLUG-IN]	PLUG-INモードに戻る

操作子	機能
INSTRUMENTモード [INSTRUMENT] (マルチチャンネルビュー) [INSTRUMENT] → [INSTRUMENT] (トラックパラメータービュー)	
ノブ 1-8 (回す→押す)	インサートするインストゥルメントを選択。ノブを回して点滅表示(LCDがパラメーター値表示の場合)とし、ノブ押しで確定とする
ノブ 1-8 (押す) (インストゥルメントが割り当てられているノブ)	パラメーターページに移行。LOGIC上のエディター画面を開く
ノブ 1-8 (回す) (パラメーターページ)	パラメーター値の編集
ノブ 1-8 (押す) (パラメーターページ)	デフォルト(初期値)に戻す(戻せないパラメーターもあり)
カーソル[LEFT] カーソル[RIGHT] (パラメーターページ)	ページの切り替え
[INSTRUMENT]	INSTRUMENTモードに戻る

トラック/スロット番号は[ARPEGGIO ON/OFF]ボタンを押すことにより、LCD上部の [] 内に表示できます。

[OPTION]、[CONTROL]、[ALT]ボタンはそれぞれLCD左下にある[EDIT]、[JOB]、[STORE]ボタンに割り付けられています。

上記以外にもパネル操作がありますが、詳細はお使いのDAWリモートコントロールのマニュアルをご参照ください。

■ Cubase SXをリモートコントロールする場合

[F1]～[F6]、[SF1]～[SF5]ボタンに割り当てられる機能

ASSIGNMENT																						
PAN/SEND	<table border="1"> <tr> <td>PAGE UP</td> <td>PLUG-INS</td> <td>DYN</td> <td>DIAL RESET</td> <td>KN1-4/5-8</td> </tr> <tr> <td>PAGE DWN</td> <td>PAN</td> <td>EQ</td> <td>BANK-L</td> <td>BANK-R</td> </tr> <tr> <td colspan="5">SHIFT</td> </tr> </table>	PAGE UP	PLUG-INS	DYN	DIAL RESET	KN1-4/5-8	PAGE DWN	PAN	EQ	BANK-L	BANK-R	SHIFT										
PAGE UP	PLUG-INS	DYN	DIAL RESET	KN1-4/5-8																		
PAGE DWN	PAN	EQ	BANK-L	BANK-R																		
SHIFT																						
FADER BANKS																						
<td> <table border="1"> <tr> <td>FLIP</td> <td>EDIT</td> <td>NAME/VALUE</td> <td>DIAL RESET</td> <td>KN1-4/5-8</td> </tr> <tr> <td>CHANNEL-L</td> <td>CHANNEL-R</td> <td>BANK-L</td> <td>BANK-R</td> <td>SHIFT</td> </tr> </table> </td> <td> <table border="1"> <tr> <td>MASTER</td> <td>SAVE</td> <td>REVERT</td> <td>DIAL RESET</td> <td>KN1-4/5-8</td> </tr> <tr> <td>SENDS</td> <td>INSTRUMENTS</td> <td>UNDO</td> <td>REDO</td> <td>SHIFT</td> </tr> </table> </td>	<table border="1"> <tr> <td>FLIP</td> <td>EDIT</td> <td>NAME/VALUE</td> <td>DIAL RESET</td> <td>KN1-4/5-8</td> </tr> <tr> <td>CHANNEL-L</td> <td>CHANNEL-R</td> <td>BANK-L</td> <td>BANK-R</td> <td>SHIFT</td> </tr> </table>	FLIP	EDIT	NAME/VALUE	DIAL RESET	KN1-4/5-8	CHANNEL-L	CHANNEL-R	BANK-L	BANK-R	SHIFT	<table border="1"> <tr> <td>MASTER</td> <td>SAVE</td> <td>REVERT</td> <td>DIAL RESET</td> <td>KN1-4/5-8</td> </tr> <tr> <td>SENDS</td> <td>INSTRUMENTS</td> <td>UNDO</td> <td>REDO</td> <td>SHIFT</td> </tr> </table>	MASTER	SAVE	REVERT	DIAL RESET	KN1-4/5-8	SENDS	INSTRUMENTS	UNDO	REDO	SHIFT
FLIP	EDIT	NAME/VALUE	DIAL RESET	KN1-4/5-8																		
CHANNEL-L	CHANNEL-R	BANK-L	BANK-R	SHIFT																		
MASTER	SAVE	REVERT	DIAL RESET	KN1-4/5-8																		
SENDS	INSTRUMENTS	UNDO	REDO	SHIFT																		
FaderGroup																						
EQ	<table border="1"> <tr> <td>5</td> <td>6</td> <td>7</td> <td>8</td> <td>KN1-4/5-8</td> </tr> <tr> <td>1</td> <td>2</td> <td>3</td> <td>4</td> <td>SHIFT</td> </tr> </table>	5	6	7	8	KN1-4/5-8	1	2	3	4	SHIFT											
5	6	7	8	KN1-4/5-8																		
1	2	3	4	SHIFT																		
PAN/SEND	<table border="1"> <tr> <td>F5</td> <td>F6</td> <td>F7</td> <td>F8</td> <td>KN1-4/5-8</td> </tr> <tr> <td>F1</td> <td>F2</td> <td>F3</td> <td>F4</td> <td>SHIFT</td> </tr> </table>	F5	F6	F7	F8	KN1-4/5-8	F1	F2	F3	F4	SHIFT											
F5	F6	F7	F8	KN1-4/5-8																		
F1	F2	F3	F4	SHIFT																		
TONE	<table border="1"> <tr> <td>PROJECT</td> <td>MIXER</td> <td>SOLO DEFAT</td> <td>DIAL RESET</td> <td>KN1-4/5-8</td> </tr> <tr> <td>LEFT</td> <td>RIGHT</td> <td>CYCLE</td> <td>PUNCH</td> <td>SHIFT</td> </tr> </table>	PROJECT	MIXER	SOLO DEFAT	DIAL RESET	KN1-4/5-8	LEFT	RIGHT	CYCLE	PUNCH	SHIFT											
PROJECT	MIXER	SOLO DEFAT	DIAL RESET	KN1-4/5-8																		
LEFT	RIGHT	CYCLE	PUNCH	SHIFT																		
ARP FX	<table border="1"> <tr> <td>CURSOR-L</td> <td>CURSOR-R</td> <td>ADD</td> <td>DIAL RESET</td> <td>KN1-4/5-8</td> </tr> <tr> <td>CURSOR-DWN</td> <td>CURSOR-UP</td> <td>PREV</td> <td>NEXT</td> <td>EDIT</td> </tr> <tr> <td colspan="5">SHIFT</td> </tr> </table>	CURSOR-L	CURSOR-R	ADD	DIAL RESET	KN1-4/5-8	CURSOR-DWN	CURSOR-UP	PREV	NEXT	EDIT	SHIFT										
CURSOR-L	CURSOR-R	ADD	DIAL RESET	KN1-4/5-8																		
CURSOR-DWN	CURSOR-UP	PREV	NEXT	EDIT																		
SHIFT																						

操作子	機能
全モード共通	
[PAGE UP] [PAGE DOWN]	ページの移動
[SHIFT]+[PAGE UP]	最初のページに移動
[SHIFT]+[PAGE DOWN]	最後のページに移動
[NAME/VALUE]	パラメーター名/パラメーター値表示の切り替え
[SEL]	各チャンネルの選択
[MUTE]	各チャンネルのミュートオン/オフ
[SHIFT]+[SOLO DEFEAT]	全チャンネルのミュートオフ
[SOLO]	各チャンネルのソロオン/オフ
[SOLO DEFEAT]	全チャンネルのソロオフ
[REC RDY]	各チャンネルのREC RDYオン/オフ
[BANK </>]	表示トラックを8チャンネル単位で切り替え
[CHANNEL </>]	表示トラックを1チャンネル単位で移動
[FLIP]	チャンネルノブとフェンダー機能の入れ替え
[EDIT]	選択しているブロック(AUDIO/MIDI)のエディットウィンドウを開く
[CYCLE]	ループON/OFFを設定
[F1] - [F8]	[F1] ~ [F8] (Cubaseで定義)
[PROJECT]	トラックビューウィンドウを最前面に移動
[MIXER]	ミキサーウィンドウを起動
[SHIFT]+[EDIT]	選択中のウィンドウを閉じる
[1]～[8]	ミキサーウィンドウのチャネルビュー 1-8に対応
[UNDO]	アンドゥ (取り消し)実行
[REDO]	リドゥ (やり直し)実行
[SAVE]	セーブ(保存)実行
[ADD]	現在のソングポジションをマーカー登録/クリア
[RWD]	押している間巻き戻し
[SHIFT]+[RWD]	ソングの先頭に移動
[PREV]	前のマーカーに移動
[FF]	押している間早送り
[SHIFT]+[FF]	ソングの最後に移動
[NEXT]	次のマーカーに移動(正常に機能しない場合あり)
[STOP]	停止。停止中に押すと前回再生を開始した地点に戻る
[PLAY]	再生
[REC]	録音開始。録音待機ではなく直接録音を開始される。録音中は[PLAY]と[REC]のLEDが点灯
PANモード [PAN] (MULTI CHANNELのみ)	
ノブ 1-8	パラメーターの編集
EQモード [EQ] (SELECTED CHANNELのみ)	
ノブ 1-8	パラメーターの編集
SENDモード [DYN] (SELECTED CHANNELのみ)	
ノブ 1-8	パラメーターの編集
PLUG-INモード [PLUG-IN] (SELECTED CHANNELのみ)	
ノブ1	スロット番号切り替え(ページ1のみ)
ノブ2	エフェクトのオン/オフ(ページ1のみ)
ノブ3	エフェクトタイプの選択(ページ1のみ)
ノブ1-8 (回転)	各パラメーターの編集(ページ2以降)
SEND EFFECTモード [SENDS]/ MASTER EFFECTモード [MASTER] (グローバルモードのみ)	
ノブ1	スロット番号切り替え(ページ1のみ)
ノブ2	エフェクトのオン/オフ(ページ1のみ)
ノブ1-8	各パラメーターの編集(ページ2以降)
INSTRUMENTモード [INSTRUMENTS] (グローバルモードのみ)	
ノブ1	スロット番号切り替え(ページ1のみ)
ノブ2	ソフトウェア音源のオン/オフ(ページ1のみ)
ノブ1-8	各パラメーターの編集(ページ2以降)

割り当てるエフェクトタイプを変更したときは、ページ数などを正しく表示させるために、スロット番号を切り替えるか、いったん他のページに移動してから戻る必要がある場合があります。

割り当てたエフェクト、ソフトウェア音源によって、編集できるパラメーター (数) は異なります。MIDI関連の設定によっては、エラーメッセージが表示されることがあります。

上記以外にもパネル操作がありますが、詳細はお使いのDAWリモートコントロールのマニュアルをご参照ください。

■ Sonarをリモートコントロールする場合

[F1]～[F6]、[SF1]～[SF5]ボタンに割り当てられる機能

ASSIGNMENT	
PAN/SEND	SENDS PLUG-INS DYN DIAL RESET KN1-4/5-8 TRACKS PAN EQ BANK-L BANK-R M1
FADER BANKS	
TONE	FLIP EDIT NAME/VALUE DIAL RESET KN1-4/5-8 CHANNEL-L CHANNEL-R BANK-L BANK-R M1
TRACKS/DIALOG/WINDOW	
ARP FX	OK/ENTER CANCEL NEXT WINDOW CLOSE WINDOW KN1-4/5-8 NEW AUDIO NEW MIDI FIT TRACK FIT PROJECT M1
EQ	TRACK AUX MAIN DIAL RESET KN1-4/5-8 SAVE UNDO REDO BANK-L BANK-R M1
PAN/SEND	F5 F6 F7 F8 KN1-4/5-8 F1 F2 F3 F4 M1
TONE	JOG PRM LOOP ON/OFF HOME DIAL RESET KN1-4/5-8 MAKER LOOP SELECT PUNCH M1
ARP FX	CURSORS-L CURSORS-R SCRUB DIAL RESET KN1-4/5-8 CURSOR-DWN CURSOR-UP ZOOM BANK-L BANK-R M1
EQ	

操作子	機能
全モード共通	
[EDIT]	[CHANNEL]、[BANK]を使ってノブにパラメーターを割り当てる
[CHANNEL </>] (マルチチャンネル時)	[EDIT]がONのときノブで編集するパラメーターを1つずつ切り替え
[BANK </>] (マルチチャンネル時)	[EDIT]がONのときノブで編集するパラメーターを8つずつ切り替え
[CHANNEL </>] (SELECTED CHANNEL時)	[EDIT]がONのとき表示パラメーターを1つずつ切り替え
[BANK </>] (SELECTED CHANNEL時)	[EDIT]がONのとき表示パラメーターを8つずつ切り替え
[NAME/VALUE]	パラメーター名/パラメーター値表示の切り替え
[SEL]	各チャンネルの選択
[MUTE]	各チャンネルのミュートオン/オフ
[M4]+[MUTE]	全チャンネルのミュートオフ
[SOLO]	各チャンネルのソロオン/オフ
[M4]+[SOLO]	全チャンネルのソロオフ
[REC RDY]	各チャンネルのREC RDYオン/オフ
[M4]+[REC RDY]	全チャンネルのREC RDYオフ
[TRACK]	フェーダーにトラックを割り当てる
[AUX]	フェーダーにAUX BUSを割り当てる
[MAIN]	フェーダーにバーチャルメインバスのアウトプットレベル調節機能を割り当てる
[BANK </>]	表示トラックを8チャンネル単位で切り替え
[CHANNEL </>]	表示トラックを1チャンネル単位で移動
[FLIP]	チャンネルノブの機能をフェーダーに割り当てる
[FLIP]→[FLIP]	チャンネルノブとフェーダー機能の入れ替え
[NEXT WINDOW]	最前面にするウィンドウの切り替え
[LOOP SW]	ループON/OFFを設定
[F1] - [F8]	[F1]～[F8] (SONARで定義)
[CLOSE WINDOW]	選択中のウィンドウを閉じる
[UNDO]	アンドゥ (取り消し) 実行
[REDO]	リドゥ (やり直し) 実行
[SAVE]	セーブ (保存) 実行
[M1]+[MARKER]	現在のソングポジションをマーカー登録するためのウィンドウを開く
[MARKER]	マーカーオン/オフ

操作子	機能
[RWD]	ソングの再生位置を1小節ずつ戻す。ボタンを押し続けると、連続して戻る。マーカーオン時は前のマーカーに移動
[M1]+[RWD]	マーカーオン時はマーカー登録ウィンドウを開く
[FF]	ソングの再生位置を1小節ずつ進める。ボタンを押し続けると連続して進む。マーカーオン時は次のマーカーに移動
[M1]+[FF]	ソングの最後に移動。マーカーオン時はマーカー登録ウィンドウを開く
[STOP]	停止
[PLAY]	再生
[REC]	録音開始。録音待機ではなく直接録音が始まる。録音中は[PLAY]と[REC]のLEDが点灯
[ZOOM]	ズームオン/オフの切り替え
[SCRUB]	スクラブオン/オフの切り替え。オン時はダイヤルでスクラブレイ。オフ時はダイヤルでソングポジションを移動
[JOG PRM]	データエントリーのオン/オフ切り替え。オン時はLEDが点灯し、そのときダイヤルを回すとデータエントリー機能となる
TRACKモード [TRACKS] (トラックパラメーターモード) [TRACKS] → [TRACKS] (セレクトッドチャンネルモード)	
ノブ1-8 (回転)	各パラメーターの編集 (LCD表示が更新されない場合あり)
ノブ1-8 (押す)	パラメーターをデフォルト (初期値) に戻す
PANモード [PAN] [PAN] → [PAN] (PAN/SURROUND のセレクトッドチャンネルモード)	
ノブ1-8 (回転)	各パラメーターの編集
ノブ1-8 (押す)	パラメーターをデフォルト (初期値) に戻す
SENDモード [SENDS] [SENDS] → [SENDS] (セレクトッドチャンネルモード)	
ノブ1-8 (回転)	各パラメーターの編集
ノブ1-8 (押す)	パラメーターをデフォルト (初期値) に戻す
PLUG-INモード [PLUG-IN] [PLUG-IN] → [PLUG-IN] (セレクトッドチャンネルモード)	
[M1]+[CHANNEL </>]	[EDIT]がONのときプラグイン番号切り替え
ノブ1-8 (回転)	各パラメーターの編集
ノブ1-8 (押す)	パラメーターをデフォルト (初期値) に戻す
EQ 編集 [EQ] [EQ] → [EQ] (セレクトッドチャンネルモード) (セレクトッドチャンネルモードの状態) [EQ] (バンドモード)	
[M1]+[CHANNEL </>]	[EDIT]がONのときEQ番号切り替え
ノブ1-8 (バンドモード)	各バンドの周波数を編集
フェーダー (バンドモード)	各バンドのゲインを編集
DYNAMICS (コンプレッサー) 編集 [DYN] [DYN] → [DYN] (セレクトッドチャンネルモード)	
[M1]+[CHANNEL </>]	[EDIT]がONのときDYN番号切り替え
ノブ1-8 (回転)	各パラメーターの編集
ノブ1-8 (押す)	パラメーターをデフォルト (初期値) に戻す

スクラブレイ中は、ソングポジションバーと再生位置が同期しない場合があります。割り当てたエフェクト、ソフトウェア音源によって、編集できるパラメーター (数) は異なります。エフェクトタイプによっては、編集できないパラメーターがあります。トラック/スロット/EQ/DYN番号は[ARPEGGIO ON/OFF]ボタンを押すことにより、LCD上部の[]内に表示できます。[M2]-[M4]ボタンはそれぞれLCD左下にある[EDIT]、[JOB]、[STORE]ボタンに割り付けられています。

上記以外にもパネル操作がありますが、詳細はお使いのDAWリモートコントロールのマニュアルをご参照ください。PC上でSONARツールメニューのMackieControlを開き、[F1]を押すとヘルプが表示されます。また一部の機能が動作しない場合がありますが、ご了承ください。トラック名に日本語を使ったりした場合LCD表示が乱れる、更新されないことがあります、故障ではありません。

■ Digital Performerをリモートコントロールする場合

[F1]～[F6]、[SF1]～[SF5]ボタンに割り当てられる機能

ASSIGNMENT	
PAN/SEND	SENDS PLUG-INS DYN DIAL RESET KN1-4/5-8 I/O PAN EQ BANK-L BANK-R SHIFT
FADER BANKS	
TONE	FLIP EDIT LEVEL METERS DIAL RESET KN1-4/5-8 CHANNEL-L CHANNEL-R BANK-L BANK-R SHIFT
Track Groups/Windows	
ARP FX	SEQ EDITOR TR OVERVIEW MIXING BOARD DIAL RESET KN1-4/5-8 GROUOP UNGROUP SUSPEND BANK-L BANK-R SHIFT
Dialog/Record	
EQ	OVERDUB PATCH THRU CLEAR CLIP DIAL RESET KN1-4/5-8 ENTER ESCAPE CLICK COUNTOFF SHIFT
Transport/Project	
PAN/SEND	UNDO REDO SAVE AUDIBLE MODE KN1-4/5-8
TONE	SLAVE EXT SYNC MEMORY LINK PRE/POST ROLL BANK-L BANK-R SHIFT
TONE	PUNCH SELECT SOLO DIAL RESET KN1-4/5-8
ARP FX	MARKER EDIT GRID CYCLE BANK-L BANK-R SHIFT
ARP FX	CURSOR-L CURSOR-R SCRUB DIAL RESET KN1-4/5-8
EQ	CURSOR-DWN CURSOR-UP ZOOM BANK-L BANK-R SHIFT

操作子	機能
全モード共通	
[I/O]	モード一覧画面に入る
[LEVEL METERS]	メーター表示のオン/オフ切り替え
[SEL]	各チャンネルの選択
[SHIFT]+[SEL]	複数チャンネルの選択
[MUTE]	各チャンネルのミュートオン/オフ
[SOLO]	各チャンネルのソロオン/オフ
[REC RDY]	各チャンネルのREC RDYオン/オフ
[BANK </>]	表示トラックを8チャンネル単位で切り替え
[CHANNEL </>]	表示トラックを1チャンネル単位で移動
[CONTROL]+[CYCLE]	ループON/OFFを設定
[TR OVERVIEW]	トラックオーバービューを移動
[MIXING BOARD]	ミキサーウィンドウを起動
[CONTROL]+[EDIT]+[SEL]	選択したチャンネルのイベントリストウィンドウを開く (EffectモードおよびEffect Editモードでは無効)
[COMMAND]+[SEQ EDITOR]	選択中のウィンドウを閉じる
[OPTION]+[EDIT]+[SEL]	MIDIエディットウィンドウを起動 (EffectモードおよびEffect Editモードでは無効)
[SEQ EDITOR]	シーケンスエディターウィンドウを起動
[SHIFT]+[SEQ EDITOR]	サウンドバイトウィンドウを起動
[UNDO]	アンドゥ (取り消し) 実行
[REDO]	リドゥ (やり直し) 実行
[SAVE]	セーブ可能時はLEDが点灯。1度押しすと、LEDが点滅 (最終確認)。もう一度押しすとセーブ (保存) 実行 (LED消灯)
[MARKER]	マーカーオン/オフの切り替え
[SHIFT]+[MARKER]	マーカーオプションウィンドウを開く
[RWD]	一度押しすと巻き戻しを実行。もう一度押しすと動きが速まる。マーカーオン時は前のマーカーに移動
[FF]	一度押しすと早送りを実行。もう一度押しすと動きが速まる。マーカーオン時は次のマーカーに移動
[MARKER]+[FF]	次のマーカーに移動
[STOP]	停止
[PLAY]	再生
[REC]	録音開始。録音待機ではなく直接録音が開始される。録音中は [PLAY] と [REC] の LED が点灯

操作子	機能
[ZOOM]	スクロール (LED消灯) → ズーム (LED点灯) → ナッジ (LED点滅) を切り替え。
[SCRUB]	スクラップオン/オフの切り替え。オン時はダイヤルでソングポジションを移動 (一部動作に不具合あり)
PANモード [PAN] (または [I/O] → ノブ)	
ノブ 1-8 (回す)	パラメーターの編集
ノブ 1-8 (押す) (サウンドオーディオチャンネル)	PANNERへのエフェクトエディットモードに入る。[EDIT] を押しすとPANモードに戻る
[DYN]+ノブ 1-8 (押す)	初期値 (センター) に設定
[FLIP]	チャンネルノブとフェーダー機能の入れ替え
PANモードの状態です [PAN]	メーターのオン/オフ切り替え
SndVal モード [SEND] (または [I/O] → ノブ)	
ノブ 1-8 (回す)	パラメーターの編集
カーソル [UP] [DOWN]	センド番号の切り替え
ノブ 1-8 (押す)	ミュートのオン/オフ切り替え
[DYN]+ノブ 1-8 (押す)	初期値 (0dB) に設定
[FLIP]	チャンネルノブとフェーダー機能の入れ替え
SndVal モードでの状態で [SEND]	メーターのオン/オフ切り替え
SndOutモード [I/O] → ノブ	
カーソル [UP] [DOWN]	センド番号の切り替え
ノブ 1-8 (回す)	各トラックからの各センドのバスを選択
ノブ 1-8 (押す) (バス選択時以外)	センドのPRE/POSTを切り替え
Inputモード [I/O] → ノブ	
ノブ 1-8 (回す)	各トラックへの入力となるバスを選択
Outputモード [I/O] → ノブ	
ノブ 1-8 (回す)	各トラックからの出力となるバスを選択
Effect モード [PLUG-IN] (または [I/O] → ノブ)	
ノブ 1-8 (回す)	各トラックへのプラグインエフェクトを選択
カーソル [UP] [DOWN]	エフェクト番号の切替
ノブ 1-8 (押す)	エフェクトバイパスのオン/オフ切り替え。バイパスがON時は、エフェクト名の上に "X" が表示される
[EQ] + ノブ 1-8 (押す)	該当するトラックにParaEQを割り当て
[EDIT]+ノブ 1-8 (押す) (トラック選択状態)	プラグインエフェクトのエディットモードに入る (プラグインエフェクトが選択されている必要あり)。エフェクトタイプによっては、編集できないパラメーターがあります。再び [EDIT] を押しすとエディットモードを抜ける
ノブ 1-8 (回す)	パラメーターの編集
カーソル [UP] [DOWN]	エフェクト番号の切り替え
[LEFT] [RIGHT]	別のトラックのエフェクトに切り替え
[CHANNEL </>]	ノブで編集するパラメーターを1つずつ切り替え
[BANK </>]	ノブで編集するパラメーターを8つずつ切り替え
[FLIP]	チャンネルノブとフェーダー機能の入れ替え

編集した内容は、MOTIF ESの画面に表示されません。

センド/エフェクト番号は [ARPEGGIO ON/OFF] ボタンを押すことにより、LCD上部の [] 内に表示できます。

エフェクトタイプによっては、編集できないパラメーターがあります。

[OPTION]、[CONTROL]、[COMMAND] ボタンはそれぞれLCD左下にある [EDIT]、[JOB]、[STORE] ボタンに割り付けられています。

上記以外にもパネル操作がありますが、詳細はお使いのDAWリモートコントロールのマニュアルをご参照ください。また一部の機能が動作しない場合がありますが、ご了承ください。

MIDI について

MIDI(ミディ)は、Musical Instrument Digital Interfaceの頭文字をとったもので、楽器同士を接続して演奏情報や音色情報などをやりとりするために作られた世界統一の規格です。世界統一規格ですのでメーカーや楽器の種類が違ってもデータをやりとりすることができます。

MIDIでは、「鍵盤を弾く」、「音色を選ぶ」といった演奏に関する情報以外に、画面を切り替える為の情報や、テンポをコントロールするための情報など、さまざまな情報をやりとりすることができます。これらの情報をフルに活用すると、鍵盤やコントローラーを使って演奏するだけではなく、パートごとのパンやリバーブの深さを変えたり、エフェクトやEGの設定を変更するなど、本体パネルで設定するパラメーターのほとんどを外部MIDI機器からMIDIを通してコントロールすることができます。

MIDIチャンネル

MIDIの情報には、MIDIチャンネルという1~16の番号が割り当てられています。このMIDIチャンネルを使って、1本のMIDIケーブルで同時に16チャンネル分の情報を送る仕組みになっています。たとえば、コンピューターやシーケンサーで多くのパートを使った演奏をMIDIを使って送信する場合、受け手側の機器では、受信したいチャンネル(各パートのMIDI受信チャンネル)を設定することで、16チャンネルの信号の中から特定のチャンネルの信号だけを選んで受信することができます。極端な例ですが、16台の音源を用意して、それぞれMIDI受信チャンネルを1~16に設定すると、シーケンサーから1本のMIDIケーブルを通して送信された演奏情報は各音源で別々に再生されることになります。

MOTIF ESのように、1台で複数の音源パートを持ち、パートごとに異なったMIDIチャンネルを設定して同時に複数パートの演奏できる音源をマルチ音源と呼びます。マルチ音源を使うと、上記のような演奏は1台で可能になります。

MOTIF ESで送受信できるMIDI情報

MIDI情報は、大きく分けてチャンネルメッセージとシステムメッセージの2つのタイプがあります。

チャンネルメッセージ

チャンネルメッセージは、チャンネルごとに個別に送られる、演奏についての情報のことです。それぞれのタイプには以下のようなメッセージがあります。

ノートオン / オフ:

鍵盤の演奏情報を伝えます。

コントロールチェンジ:

ボリュームやパンなどをコントロールするメッセージです。いろいろな種類のコントロールチェンジには、それぞれコントロールナンバーが付いています。

プログラムチェンジ:

ボイスを選択するための MIDI メッセージです。コントロールチェンジのバンクセレクトと組み合わせで使用します。

チャンネルアフタータッチ:

鍵盤を弾いた後、更に押さえつける強さを伝えて、音に変化をつける MIDI メッセージです。外部機器から受信することができます。

ポリフォニックキープレッシャー:

各鍵盤ごとに、鍵盤を弾いた後の更に押さえつける強さを伝える MIDI メッセージです。内蔵シーケンサーから送信することができます。

ピッチベンド:

ピッチベンドホイールの演奏を伝えて、ピッチを変化させる MIDI メッセージです。

チャンネルメッセージには、この他にローカルコントロールやオール ノート オフなどのモードメッセージがあります。

システムメッセージ

システムメッセージは、機器間の同期などシステム全体に関連した設定を行なう情報です。

エクスクルーシブ メッセージ

メーカー固有のメッセージで、シーケンスデータやパラメーターチェンジなどを送受信します。この MIDI メッセージを使うと、外部 MIDI 機器から MOTIF のほとんどすべての設定をエディットすることも可能になります。

リアルタイムメッセージ

スタート、ストップ、コンティニュー、MIDI クロック、アクティブセンシングなど、シーケンサーをコントロールするメッセージです。

コモンメッセージ

リアルタイムメッセージ同様、シーケンサーをコントロールするメッセージで、ソングセレクト、ソング ポジション ポインターがあります。

MIDI データフォーマット

「MIDIデータフォーマット」は、データ/値を10進数や2進数、16進数で表現しています。16進数の場合は数値の後(または列の頭)にH (Hexadecimal)が付いています。また、「n」は任意の整数を表します。データ/値を入力する場合は、以下のテーブルをご参照ください。

10進	16進	2進
0	00	0000 0000
1	01	0000 0001
2	02	0000 0010
3	03	0000 0011
4	04	0000 0100
5	05	0000 0101
6	06	0000 0110
7	07	0000 0111
8	08	0000 1000
9	09	0000 1001
10	0A	0000 1010
11	0B	0000 1011
12	0C	0000 1100
13	0D	0000 1101
14	0E	0000 1110
15	0F	0000 1111
16	10	0001 0000
17	11	0001 0001
18	12	0001 0010
19	13	0001 0011
20	14	0001 0100
21	15	0001 0101
22	16	0001 0110
23	17	0001 0111
24	18	0001 1000
25	19	0001 1001
26	1A	0001 1010
27	1B	0001 1011
28	1C	0001 1100
29	1D	0001 1101
30	1E	0001 1110
31	1F	0001 1111
32	20	0010 0000
33	21	0010 0001
34	22	0010 0010
35	23	0010 0011
36	24	0010 0100
37	25	0010 0101
38	26	0010 0110
39	27	0010 0111
40	28	0010 1000
41	29	0010 1001
42	2A	0010 1010
43	2B	0010 1011
44	2C	0010 1100
45	2D	0010 1101
46	2E	0010 1110
47	2F	0010 1111
48	30	0011 0000
49	31	0011 0001
50	32	0011 0010
51	33	0011 0011
52	34	0011 0100
53	35	0011 0101
54	36	0011 0110
55	37	0011 0111
56	38	0011 1000
57	39	0011 1001
58	3A	0011 1010
59	3B	0011 1011
60	3C	0011 1100
61	3D	0011 1101
62	3E	0011 1110
63	3F	0011 1111

10進	16進	2進
64	40	0100 0000
65	41	0100 0001
66	42	0100 0010
67	43	0100 0011
68	44	0100 0100
69	45	0100 0101
70	46	0100 0110
71	47	0100 0111
72	48	0100 1000
73	49	0100 1001
74	4A	0100 1010
75	4B	0100 1011
76	4C	0100 1100
77	4D	0100 1101
78	4E	0100 1110
79	4F	0100 1111
80	50	0101 0000
81	51	0101 0001
82	52	0101 0010
83	53	0101 0011
84	54	0101 0100
85	55	0101 0101
86	56	0101 0110
87	57	0101 0111
88	58	0101 1000
89	59	0101 1001
90	5A	0101 1010
91	5B	0101 1011
92	5C	0101 1100
93	5D	0101 1101
94	5E	0101 1110
95	5F	0101 1111
96	60	0110 0000
97	61	0110 0001
98	62	0110 0010
99	63	0110 0011
100	64	0110 0100
101	65	0110 0101
102	66	0110 0110
103	67	0110 0111
104	68	0110 1000
105	69	0110 1001
106	6A	0110 1010
107	6B	0110 1011
108	6C	0110 1100
109	6D	0110 1101
110	6E	0110 1110
111	6F	0110 1111
112	70	0111 0000
113	71	0111 0001
114	72	0111 0010
115	73	0111 0011
116	74	0111 0100
117	75	0111 0101
118	76	0111 0110
119	77	0111 0111
120	78	0111 1000
121	79	0111 1001
122	7A	0111 1010
123	7B	0111 1011
124	7C	0111 1100
125	7D	0111 1101
126	7E	0111 1110
127	7F	0111 1111

追加ノート

・上記のテーブル以外でも、たとえば、144~159 (10進数)/9nH/10010000 ~ 10011111 (2進数)は、それぞれ(1~16)チャンネルごとのノートオンメッセージを示します。176~191/BnH/10110000 ~ 10111111は、それぞれ(1~16)チャンネルごとのコントロールチェンジメッセージを示します。192~207/CnH/11000000 ~ 11001111は、それぞれ(1~16)チャンネルごとのプログラムチェンジメッセージを示します。240/FOH/11110000はシステムエクスクルーシブメッセージの始まりを示します。247/F7H/11110111はシステムエクスクルーシブメッセージの終わりを示します。

・aaH (16進数)/Oaaaaaaa (2進数)はデータのアドレスを示します。アドレスは、High、MidとLowがあります。

・bbH/Obbbbbbbはバイトカウントを示します。

・ccH/Occcccccはチェックサムを示します。

・ddH/Odddddddはデータ/値を示します。

シンセサイザ / シーケンサパート

(1) TRANSMIT FLOW

MIDI OUT	[SW1] NOTE ON/OFF	9nH
	KEY'S AFTER TOUCH	AnH (Seq only)
	CONTROL CHANGE (Seqは、すべて)	
	MODULATION	BnH,01H
	VOLUME	BnH,07H
	PAN	BnH,0AH
	SUSTAIN SWITCH	BnH,40H
	FILTER RESONANCE	BnH,47H
	EG RELEASE TIME	BnH,48H
	EG ATTACK TIME	BnH,49H
	FILTER CUTOFF FREQ	BnH,4AH
	EG DECAY TIME	BnH,4BH
	REVERB SEND	BnH,5BH
	CHORUS SEND	BnH,5DH
	ASSIGNABLE CONTROLLERS	BnH,(00H..5FH)
	SEQ REMOTE CONTROL	BnH,(00H..7FH)
	[SW7] BANK SEL MSB	BnH,00H
	BANK SEL LSB	BnH,20H
	CHANNEL MODE MESSAGE (Seq only)	
	RESET ALL CONTROLLERS	BnH,79H
	LOCAL CONTROL	BnH,7AH
	OMNI MODE OFF	BnH,7CH
	OMNI MODE ON	BnH,7DH
	MONO MODE ON	BnH,7EH
	POLY MODE ON	BnH,7FH
	[SW8] PROGRAM CHANGE	CnH
	CHANNEL AFTER TOUCH	DnH
	PITCH BEND CHANGE	EnH
	[SW4] SYSTEM COMMON MESSAGE	
	SONG POSITION POINTER	F2H
	SONG SELECT	F3H
	[SW4] SYSTEM REALTIME MESSAGE	
	TIMING CLOCK	F8H
	START	FAH
	CONTINUE	FBH
	STOP	FCH
	ACTIVE SENSING	FEH
	[SW5] SYSTEM EXCLUSIVE MESSAGE (Seqは、すべて)	
	[BULK DUMP]	F0H 43H 0nH 7FH 00H bhH blH ahH amH alH ddH...ddH ccH F7H *3
	[PARAMETER CHANGE]	F0H 43H 1nH 7FH 00H ahH amH alH ddH...ddH F7H *3
	[BULK DUMP REQUEST]	F0H 43H 2nH 7FH 00H ahH amH alH ddH...ddH F7H *3
	[PARAMETER REQUEST]	F0H 43H 3nH 7FH 00H ahH amH alH F7H *3
	IDENTITY REPLY	F0H 7EH 7FH 06H 02H 43H 00H 41H 69H (or 6AH or 6BH) 05H 00H 00H 00H 7FH F7H
	[SW3,4] MIDI MACHINE CONTROL	
	STOP	F0H 7FH 7FH 06H 01H F7H
	DEFERRED PLAY	F0H 7FH 7FH 06H 03H F7H
	LOCATE	F0H 7FH 7FH 06H 44H 06H 01H hrH mnH scH frH ffH F7H

- [SW1] MIDI Transmit Channel
Master Mode = onでは、Zone Transmit Channelに従う。
Master Mode = offでは、Keyboard Transmit Channelに従う。
シーケンサ一部から再生されるデータは、MIDI Filterに従って送信される。
- [SW2] MIDI Control Mode
- [SW3] MIDI Sync (MIDI Sync = MTOのとき送信。)
- [SW4] Seq MIDI Control
- [SW5] MIDI Device Number
allのときは、1で送信される。
シーケンサ一部から再生されるデータは、MIDI Filterに従って送信される。
モードでも送信。
- [SW6] VOICE MODEでは、VOICEのもののみ。PERFORMANCE MODEでは、PERFORMANCEのもののみ。SYSTEMはどのモードでも送信。
- [SW7] SYSTEM Bank Select Switch
- [SW8] SYSTEM Program Change Switch

(2) RECEIVE FLOW

MIDI IN	[SW10] NOTE OFF	8nH
	NOTE ON/OFF	9nH
	KEY'S AFTER TOUCH	AnH (Seq only)
	CONTROL CHANGE (Seqは、すべて)	
	MODULATION	BnH,01H
	PORTAMENTO TIME	BnH,05H
	DATA ENTRY MSB	BnH,06H
	DATA ENTRY LSB	BnH,26H
	MAIN VOLUME	BnH,07H
	PAN	BnH,0AH
	EXPRESSION	BnH,0BH
	SUSTAIN SWITCH	BnH,40H
	PORTAMENTO SWITCH	BnH,41H
	SOSTENUTO	BnH,42H
	HARMONIC CONTENT	BnH,47H
	EG RELEASE TIME	BnH,48H
	EG ATTACK TIME	BnH,49H
	BRIGHTNESS	BnH,4AH
	EG DECAY TIME	BnH,4BH

	EFFECT1 DEPTH	BnH,5BH
	EFFECT3 DEPTH	BnH,5DH
	DATA ENTRY INC	BnH,60H
	DATA ENTRY DEC	BnH,61H
	ALL SOUND OFF	BnH,78H
	ASSIGNABLE CONTROLLER	BnH,(00H..5FH)
	NRPN	BnH,62H,63H *2
	RPN	
	PITCH BEND SENS.	BnH,64H,00H,65H,00H,06H,mmH
	FINE TUNING	BnH,64H,01H,65H,00H,06H,mmH,26H,11H *1
	COARSE TUNING	BnH,64H,02H,65H,00H,06H,mmH *1
	RPN RESET	BnH,64H,7FH,65H,7FH
	[SW2] EG SUSTAIN LEVEL	BnH,1FH
	[SW7] BANK SEL MSB	BnH,00H
	BANK SEL LSB	BnH,20H
	CHANNEL MODE MESSAGE	
	RESET ALL CONTROLLERS	BnH,79H
	LOCAL CONTROL	BnH,7AH
	OMNI MODE OFF	BnH,7CH
	OMNI MODE ON	BnH,7DH
	MONO MODE ON	BnH,7EH
	POLY MODE ON	BnH,7FH
	[SW8] PROGRAM CHANGE	CnH
	CHANNEL AFTER TOUCH	DnH
	PITCH BEND CHANGE	EnH
	[SW3] SYSTEM COMMON MESSAGE	
	MTC QUARTER FRAME MESSAGE	F1H
	[SW4] SYSTEM COMMON MESSAGE	
	SONG POSITION POINTER	F2H
	SONG SELECT	F3H
	[SW3] SYSTEM REALTIME MESSAGE	
	TIMING CLOCK	F8H
	[SW4] SYSTEM REALTIME MESSAGE	
	START	FAH
	CONTINUE	FBH
	STOP	FCH
	ACTIVE SENSING	FEH
	[SW5] SYSTEM EXCLUSIVE MESSAGE (Seqは、すべて)	
	MIDI MASTER VOLUME	F0H 7FH 7FH 04H 01H 11H mmH F7H
	[SW9] BULK DUMP	F0H 43H 0nH 7FH 00H bhH blH ahH amH alH ddH...ddH ccH F7H *3
	[SW6] PARAMETER CHANGE	F0H 43H 1nH 7FH 00H ahH amH alH ddH...ddH F7H *3
	[SW6] BULK DUMP REQUEST	F0H 43H 2nH 7FH 00H ahH amH alH ddH...ddH F7H *3
	[SW6] PARAMETER REQUEST	F0H 43H 3nH 7FH 00H ahH amH alH F7H *3
	[SW11] XG SYSTEM ON	F0H 43H 1nH 4CH 00H 00H 7EH 00H F7H
	[SW11] GM MODE ON	F0H 7EH 7FH 09H 01H F7H
	SYSTEM EXCLUSIVE MESSAGE	
	IDENTITY REQUEST	F0H 7EH 0nH 06H 01H F7H
	SECTION CONTROL	F0H 43H 7EH 00H ssH 7FH F7H (Pattern Mode only)

- [SW2] MIDI Control Mode
- [SW3] MIDI Sync (Timing Clockとして内部Clockを使用するか、またはMIDI INから入るMIDI Clock、MTCを使用するかの選択が行なえる。)
- [SW4] Seq MIDI Control
- [SW5] MIDI Device Number
MIDI MASTER VOLUMEは、Device Number = off以外では常に受信する。
シーケンサ一部に録音されるデータは、MIDI Filterに従って受信される。
- [SW6] VOICE MODEでは、VOICEのもののみ。PERFORMANCE MODEでは、PERFORMANCEのもののみ。SYSTEMのもののみ。モードでも送信。
- [SW7] SYSTEM Bank Select Switch
- [SW8] SYSTEM Program Change Switch (Voice Mode、Phrase Clip Modeでは、Play Modeでのみ受信。)
- [SW9] SYSTEM Bulk Protectおよび、SW6の条件。
- [SW10] MIDI Receive ChannelおよびReceive Filter
Performance Modeでは、Part Receive ChannelおよびPart Receive Switchに従う。
Performance Mode以外では、Basic Receive Channelに従う。
シーケンサ一部に録音されるデータは、MIDI Filterに従って受信される。
- [SW11] SYSTEM Receive GM/XG On
*1: Performance Mode Only
*2: 内部音源には効果せず、Plug-in Boardのみ送られる。
*3: CS6x0 Plug-in Voice (Model ID=Dx64)に限り受信する。

(3) TRANSMIT/RECEIVE DATA**(3-1) CHANNEL VOICE MESSAGES****(3-1-1) NOTE OFF**

STATUS 100nnnn (8nH) n = 0 - 15 CHANNEL NUMBER
 NOTE No. 0kkkkkkk k = 0 (C-2) - 127 (G8)
 VELOCITY 0vvvvvvv vは無視
 受信のみ行なう。

(3-1-2) NOTE ON/OFF

STATUS 1001nnnn (9nH) n = 0 - 15 CHANNEL NUMBER
 NOTE NUMBER 0kkkkkkk k = 0 (C-2) - 127 (G8)
 VELOCITY NOTE ON 0vvvvvvv (v≠0)
 NOTE OFF 0vvvvvvv (v=0)

(3-1-3) CONTROL CHANGE

STATUS 1011nnnn (BnH) n = 0 - 15 CHANNEL NUMBER
 CONTROL NUMBER 0ccccccc
 CONTROL VALUE 0vvvvvvv

* 送信する CONTROL NUMBER

c = 0 BANK SEL MSB ; v = 0 - 127 *3
 c = 32 BANK SEL LSB ; v = 0 - 127 *3
 c = 1 MODULATION ; v = 0 - 127
 c = 7 MAIN VOLUME ; v = 0 - 127
 c = 10 PAN ; v = 0 - 127
 c = 11 EXPRESSION ; v = 0 - 127
 c = 64 SUSTAIN SWITCH ; v = 0, 127
 c = 71 FILTER RESONANCE ; v = 0:-64 - 64:0 - 127:+63
 c = 72 EG RELEASE TIME ; v = 0:-64 - 64:0 - 127:+63
 c = 73 EG ATTACK TIME ; v = 0:-64 - 64:0 - 127:+63
 c = 74 FILTER CUTOFF FREQ ; v = 0:-64 - 64:0 - 127:+63
 c = 75 EG DECAY TIME ; v = 0:-64 - 64:0 - 127:+63
 c = 91 REVERB SEND ; v = 0, 127
 c = 93 CHORUS SEND ; v = 0, 127
 c = 0..95 ASSIGNABLE CONTROLLERS ; v = 0 - 127 *6

シーケンサー部からは、記録されているすべてのコントロールチェンジ情報を再生する。

* 受信する CONTROL NUMBER

c = 0 BANK SEL MSB ; v = 0 - 127 *3
 c = 32 BANK SEL LSB ; v = 0 - 127 *3
 c = 1 MODULATION ; v = 0 - 127
 c = 5 PORTAMENTO TIME ; v = 0 - 127 *2
 c = 6 DATA ENTRY MSB ; v = 0 - 127 *1
 c = 38 DATA ENTRY LSB ; v = 0 - 127 *1
 c = 7 MAIN VOLUME ; v = 0 - 127
 c = 10 PAN ; v = 0 - 127
 c = 11 EXPRESSION ; v = 0 - 127
 c = 31 EG SUSTAIN LEVEL ; v = 0:-64 - 64:0 - 127:+63 *2,*5
 c = 64 SUSTAIN SWITCH ; v = 0 - 63:OFF, 64 - 127:ON *2
 c = 65 PORTAMENTO SWITCH ; v = 0 - 63:OFF, 64 - 127:ON *2
 c = 66 SOSTENUTO ; v = 0 - 63:OFF, 64 - 127:ON *2
 c = 71 HARMONIC CONTENT ; v = 0:-64 - 64:0 - 127:+63
 c = 72 EG RELEASE TIME ; v = 0:-64 - 64:0 - 127:+63 *2
 c = 73 EG ATTACK TIME ; v = 0:-64 - 64:0 - 127:+63
 c = 74 BRIGHTNESS ; v = 0:-64 - 64:0 - 127:+63
 c = 75 EG DECAY TIME ; v = 0:-64 - 64:0 - 127:+63
 c = 91 EFFECT1 DEPTH ; v = 0 - 127
 c = 93 EFFECT3 DEPTH ; v = 0 - 127
 c = 96 DATA ENTRY INC ; v = 127 *1
 c = 97 DATA ENTRY DEC ; v = 127 *1
 c = 0..95 ASSIGNABLE CONTROLLER ; v = 0 - 127 *6
 c = 0..95 ARPEGGIO SW ; v = 0 - 63:OFF, 64 - 127:ON *6
 c = 0..95 ARPEGGIO HOLD ; v = 0 - 63:OFF, 64 - 127:ON *6

すべてのコントロールチェンジ情報をシーケンサーに記録できる。

*1 RPNで指定パラメータを設定するときのみ用いる。

*2 Drum Voiceに対しては無効。

*3 BANK CHANGEとPROGRAMの関係

CATEGORY	MSB	LSB	PROGRAM No.
GM Voice	0	0	0..127 (表示1..128)
GM Drum Voice	127	0	0..1 (表示1..2)
Normal Voice Preset 1	63	0	0..127 (表示1..128)
Preset 2	63	1	0..127 (表示1..128)
Preset 3	63	2	0..127 (表示1..128)
Preset 4	63	3	0..127 (表示1..128)
Preset 5	63	4	0..127 (表示1..128)
Preset 6	63	5	0..127 (表示1..128)
User1	63	8	0..127 (表示1..128)
User2	63	9	0..127 (表示1..128)
Drum Voice Preset	63	32	0..63 (表示1..64)
User	63	40	0..31 (表示1..32)
Plug-in Voice User 1	63	24	0..63 (表示1..64)
User 2	63	25	0..63 (表示1..64)
User 3	63	26	0..63 (表示1..64)
Performance User	63	64	0..127 (表示1..128)
Sample Voice	63	50	0..127 (表示1..128) *7
Mixing Voice	63	60	0..15 (表示1..16) *8
Plug-in Voice Preset 1 (Slot1)	63	70	0..63 (表示1..64) *4
Preset 2 (Slot1)	63	71	0..63 (表示1..64) *4
Preset 3 (Slot1)	63	72	0..63 (表示1..64) *4
Preset 1 (Slot2)	63	73	0..63 (表示1..64) *4
Preset 2 (Slot2)	63	74	0..63 (表示1..64) *4
Preset 3 (Slot2)	63	75	0..63 (表示1..64) *4
Preset 1 (Slot3)	63	76	0..63 (表示1..64) *4
Preset 2 (Slot3)	63	77	0..63 (表示1..64) *4
Preset 3 (Slot3)	63	78	0..63 (表示1..64) *4

*4 対応しているPlug-in Boardを装着時のみ選択可能。

*5 CONTROL CHANGE MODEをMODE2としている場合のみ。

*6 ASSIGNABLE CONTROLLERのDEFAULT CONTROL NUMBERは、

BREATH CONTROLLER 2
 FOOT CONTROLLER 4
 Assign 1 16
 Assign 2 17
 Assign A 18
 Assign B 19
 FOOT SWITCH 88
 ARPEGGIO HOLD 89
 ARPEGGIO SWITCH 90

*7 Song Mode, Pattern Modeでのみ選択可能で、1 Song/PatternあたりMax128個。

*8 Song Mode, Pattern Modeでのみ選択可能で、1 Song/PatternあたりMax16個。

PORTAMENTO TIMEは、Portamento Switch = ONのときのピッチ変化速度を調節する。

Oでホルタメント最短時間、127でホルタメント最長時間となる。

PAN は、音色のプリセット値に対して相対的に変化する。

EFFECT1 DEPTHは、リバーブセンドをコントロールする。

EFFECT3 DEPTHは、コーラスセンドをコントロールする。

HARMONIC CONTENTは、音色で設定されているレゾナンスを調節する。

相対変化のパラメータであるため、64を基準として増減の指定をする。

値が大きくなるほどクセのある音になる。音色により、効果のある範囲が設定できる範囲より狭い場合がある。

EG ATTACK TIME, EG DECAY TIME, EG SUSTAIN LEVEL, EG RELEASE TIMEは、音色で設定されているエンベロープを調節する。相対変化のパラメータであるため、64を基準として増減の指定をする。

値が大きくなるほどカットオフ周波数が低くなる。音色により、効果のある範囲が設定できる範囲より狭い場合がある。

BRIGHTNESSは、音色で設定されているカットオフ周波数を調節する。

相対変化のパラメータであるため、64を基準として増減の指定をする。

値が小さくなるほどカットオフ周波数が低くなる。音色により、効果のある範囲が設定できる範囲より狭い場合がある。

Bank Selectの動作は、すべてProgram Changeを受信したとき発生する。

Bank Select, Program Changeは、サポートしている番号以外のものは無視するが、Plug-in Boardに対しては送信される。

(3-1-4) PROGRAM CHANGE

STATUS 1100nnnn (CnH) n = 0 - 15 CHANNEL NUMBER
 PROGRAM NUMBER 0pppppppp p = 0 - 127

(3-1-5) CHANNEL AFTER TOUCH

STATUS 1101nnnn (DnH) n = 0 - 15 CHANNEL NUMBER
 VALUE 0vvvvvvv v = 0 - 127 AFTER TOUCH VALUE

(3-1-6) PITCH BEND CHANGE

STATUS 1110nnnn (EnH) n = 0 - 15 CHANNEL NUMBER
 LSB 0vvvvvvv PITCH BEND CHANGE LSB
 MSB 0vvvvvvv PITCH BEND CHANGE MSB
 送信の分解能は7bit。

(3-2) CHANNEL MODE MESSAGES

STATUS 1011nnnn (BnH) n = 0 - 15 CHANNEL NUMBER
 CONTROL NUMBER 0ccccccc c = CONTROL NUMBER
 CONTROL VALUE 0vvvvvvv v = DATA VALUE

(3-2-1) ALL SOUND OFF (CONTROL NUMBER = 78H, DATA VALUE = 0)

該当チャンネルの発音中の音をすべて消音する。ノートオンやホールドオンなどのチャンネルメッセージの状態も消去する。

(3-2-2) RESET ALL CONTROLLERS (CONTROL NUMBER = 79H, DATA VALUE = 0)

以下のコントローラーの設定値をリセットする。

PITCH BEND CHANGE 0 (中央)
 CHANNEL AFTER TOUCH 0 (最小)
 MODULATION 0 (最小)
 EXPRESSION 127 (最大)
 BREATH CONTROLLER 127 (最大)
 FOOT CONTROLLER 127 (最大)
 Assign A 0 (中央)
 Assign B 0 (中央)
 Assign 1 0 (中央)
 Assign 2 0 (中央)
 SUSTAIN SWITCH 0 (オフ)
 SOSTENUTO SWITCH 0 (オフ)
 RPN 番号未設定状態、内部データは変化しない

以下の各データは変更しない。

PROGRAM CHANGE, BANK SELECT MSB/LSB, VOLUME, PAN, HARMONIC CONTENT, SUSTAIN LEVEL, RELEASE TIME, ATTACK TIME, DECAY TIME, BRIGHTNESS, EFFECT SEND LEVEL 1, EFFECT SEND LEVEL 3, PORTAMENTO SWITCH, PITCH BEND SENSITIVITY, FINE TUNING, COARSE TUNING

(3-2-3) ALL NOTE OFF (CONTROL NUMBER = 7BH, DATA VALUE = 0)

該当チャンネルのオンしているノートをすべてオフする。ただしサステイン、あるいはソステヌートがオンの場合は、それらオフになるまで発音は終了しない。

(3-2-4) OMNI MODE OFF (CONTROL NUMBER = 7CH, DATA VALUE = 0)ALL NOTE OFFを受信したときと同じ処理を行なう。
VOICE RECEIVE CHANNELを、OMNI OFFで、CHANNEL = 1とする。**(3-2-5) OMNI MODE ON (CONTROL NUMBER = 7DH, DATA VALUE = 0)**ALL NOTE OFFを受信したときと同じ処理を行なう。
VOICE RECEIVE CHANNELを、OMNI ONにする。**(3-2-6) MONO (CONTROL NUMBER = 7EH, DATA VALUE = 0.16)**

オールサウンドオフを受信したときと同じ処理を行ない、3rd byte (モノ数)が0~16の範囲内であれば該当チャンネルをMode4 (m = 1)にする。

VOICE MODEなら、VOICE RECEIVE CHANNELに従って、Mode2 (m = 1)にもなり得る。

(3-2-7) POLY (CONTROL NUMBER = 7FH, DATA VALUE = 0)

オールサウンドオフを受信したときと同じ処理を行ない、該当チャンネルをMode3にする。VOICE MODEなら、VOICE RECEIVE CHANNELに従って、Mode1にもなり得る。

(3-3) REGISTERED PARAMETER NUMBER

STATUS	1011nnnn (8nH)	n = 0 - 15 CHANNEL NUMBER
LSB	01100100 (64H)	
RPN LSB	0ppppppp	p = RPN LSB (下表参照)
MSB	01100101 (65H)	
RPN MSB	0q99999q	q = RPN MSB (下表参照)
DATA ENTRY MSB	00000110 (06H)	
DATA VALUE	0mmmmmm	m = Data Value
DATA ENTRY LSB	00100110 (26H)	
DATA VALUE	01111111	l = Data Value

まずRPN MSBとRPN LSBを与えて制御するパラメーターを指定し、その後データエントリで指定パラメーターの値を設定する。

RPN	D. ENTRY	PARAMETER NAME	DATA RANGE
LSB MSB	MSB LSB		
00H 00H	mmH ---	PITCH BEND SENSITIVITY	00H - 18H (0 - 24 半音)
01H 00H	mmH 11H	MASTER FINE TUNE	{mmH, 11H} = {00H, 00H} - {40H, 00H} - {7FH, 7FH} (-8192*100/8192) - 0 - (+8192*100/8192)
02H 00H	mmH ---	MASTER COARSE TUNE	28H - 40H - 58H (-24 - 0 - +24 半音)
7FH 7FH	--- ---	RPN RESET	RPN 番号が指定されていない状態になる。 内部の設定値は変化しない。

(3-4) NON-REGISTERED PARAMETER NUMBER

制御できるパラメーターはなし。ただし、Plug-in Boardに対しては、そのまま送信される。

(3-5) SYSTEM REAL TIME MESSAGES

(3-5-1) ACTIVE SENSING

STATUS	11111110 (FEH)
--------	----------------

約200msecごとに送信する。
このCODEを一度受信すると、SENSINGを開始する。約350msec以上の間、STATUSもDATAも来ないときは、MIDI受信 BUFFERをCLEARし、発音している音を強制的にOFFする。

(3-6) SYSTEM EXCLUSIVE MESSAGE

(3-6-1) UNIVERSAL NON REALTIME MESSAGE

(3-6-1-1) GENERAL MIDI MODE ON

FOH 7EH 7FH 09H 01H F7H

PERFORMANCE MODEでSYSTEM Receive GM/XG onの場合のみ受信し、SYSTEM Internal Partの設定に従って、Partの設定値をリセットする。

(3-6-1-2) IDENTITY REQUEST (受信のみ)

FOH 7EH 0nH 06H 01H F7H

(nは、Device No.だが、本機はomni で受信する)

(3-6-1-3) IDENTITY REPLY (送信のみ)

FOH 7EH 7FH 06H 02H 43H 00H 41H ddH ddH 00H 00H 00H 7FH F7H

dd:Device Number Code
MOTIF ES6: 69 05
MOTIF ES7: 6A 05
MOTIF ES8: 6B 05

(3-6-2) UNIVERSAL REALTIME MESSAGE

(3-6-2-1) MIDI MASTER VOLUME

FOH 7FH 7FH 04H 01H 11H mmH F7H

MASTER VOLUMEの値を変更する。
mmの値をMIDIマスターボリューム値として用いる。(llの値は無視)

(3-6-3) PARAMETER CHANGE

(3-6-3-1) XG SYSTEM ON

11110000	F0	Exclusive Status
01000011	43	YAMAHA ID
0001nnnn	1n	Device Number
01001100	4C	Model ID
0aaaaaaaa	0	Address High
0aaaaaaaa	0	Address Mid
0aaaaaaaa	7E	Address Low
0	0	Data
11110111	F7	End of Exclusive

このメッセージの実行には、約170msかかるため、次のメッセージとの間隔を注意すること。

(3-6-3-2) NATIVE PARAMETER CHANGE, MODE CHANGE

11110000	F0	Exclusive Status
01000011	43	YAMAHA ID
0001nnnn	1n	Device Number
01111111	7F	Model ID
00000000	00	Model ID
0aaaaaaaa	aaaaaaaa	Address High
0aaaaaaaa	aaaaaaaa	Address Mid
0aaaaaaaa	aaaaaaaa	Address Low
0ddddddd	ddddddd	Data
11110111	F7	End of Exclusive

Data Sizeが2以上のパラメーターはそのSize分データを送信する。
Addressは、付表を参照すること。

(3-6-4) BULK DUMP

11110000	F0	Exclusive Status
01000011	43	YAMAHA ID
0001nnnn	0n	Device Number
01111111	7F	Model ID
00000000	00	Model ID
0bbbbbbb	bbbbbbb	Byte Count
0bbbbbbb	bbbbbbb	Byte Count
0aaaaaaaa	aaaaaaaa	Address High
0aaaaaaaa	aaaaaaaa	Address Mid
0aaaaaaaa	aaaaaaaa	Address Low
0	0	Data
0ccccccc	ccccccc	Check-sum
11110111	F7	End of Exclusive

AddressおよびByte Countは、付表BULK DUMPを参照すること。
Check-sumは、Byte Count、Start Address、Data、Check-sum自身を加算した値の低位7bitがゼロになる値である。

(3-6-5) DUMP REQUEST

11110000	F0	Exclusive Status
01000011	43	YAMAHA ID
0010nnnn	2n	Device Number
01111111	7F	Model ID
00000000	00	Model ID
0aaaaaaaa	aaaaaaaa	Address High
0aaaaaaaa	aaaaaaaa	Address Mid
0aaaaaaaa	aaaaaaaa	Address Low
11110111	F7	End of Exclusive

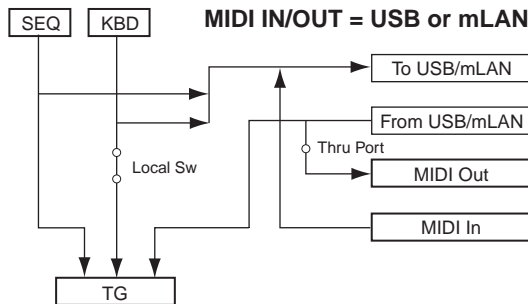
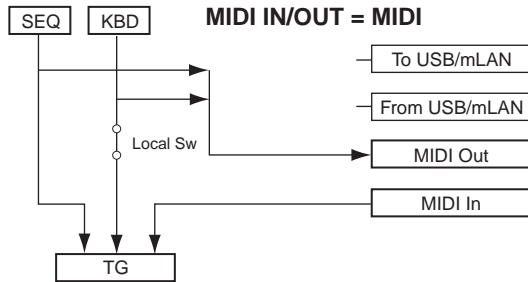
AddressおよびByte Countは、付表DUMP REQUESTを参照すること。

(3-6-6) PARAMETER REQUEST

11110000	F0	Exclusive Status
01000011	43	YAMAHA ID
0011nnnn	3n	Device Number
01111111	7F	Model ID
00000000	00	Model ID
0aaaaaaaa	aaaaaaaa	Address High
0aaaaaaaa	aaaaaaaa	Address Mid
0aaaaaaaa	aaaaaaaa	Address Low
11110111	F7	End of Exclusive

Addressは、付表を参照すること。

(4) 鍵盤スイッチ部、SEQUENCER部と、音源部との構成図



ノートオン、ノートオフについては、MIDIで受信したものと、本体シーケンサーで演奏されたものと、本体鍵盤で演奏されたものとは区別されるが、他のコントローラーは、MIDI、本体の区別なく効果がすべてのノートにかかる。
ALL SOUND OFFは、MIDI、本体の区別なく、該当チャンネルのすべての発音を消去する。
MIDIで受信したALL NOTE OFFは該当チャンネルでMIDIにより発音されたノートのみをオフにする。

MIDI データテーブル

Bank Select

送受信可能なバンクセレクト / プログラムチェンジ

MSB (HEX)	LSB (HEX)	Program No.	Type	Memory	Description
0	00	0	00	0-127	Normal Voice
127	7F	0	00	0	Drum Voice
63	3F	0	00	0-127	Normal Voice
		1	01	0-127	Preset 1
		2	02	0-127	Preset 2
		3	03	0-127	Preset 3
		4	04	0-127	Preset 4
		5	05	0-127	Preset 5
		8	08	0-127	Preset 6
		9	09	0-127	User 1
		32	20	0-63	Drum Voice
		40	28	0-31	User
		50	32	0-127	Sample Voice
		60	3C	0-15	Mixing Voice
		24	18	0-63	Plug-in Voice
		25	19	0-63	User 1 (Slot1)
		26	1A	0-63	User 2 (Slot2)
		70	46	0-63	User 3 (Slot3)
		71	47	0-63	Preset 1 (Slot1)
		72	48	0-63	Preset 2 (Slot1)
		73	49	0-63	Preset 3 (Slot1)
		74	4A	0-63	Preset 1 (Slot2)
		75	4B	0-63	Preset 2 (Slot2)
		76	4C	0-63	Preset 3 (Slot2)
		77	4D	0-63	Preset 1 (Slot3)
		78	4E	0-63	Preset 2 (Slot3)
					Preset 3 (Slot3)
Plug-in Board に依存する。			Plug-in Direct	-	
63	3F	64	40	0-127	Performance
					User (Internal)

パネルでモードを切り替えた直後に Program Change のみを受信した場合は、そのとき選択されていた Type/Memory で音色番号を変更する。

Master Number と Performance/Multi (Song, Pattern)/Voice のモードは、パラメーターチェンジでのみで切り換えられる。

Multi (Song, Pattern) は、Song Select (Song: F3, 00~F3, 3F/Pattern: F3, 00~F3, 3F) でのみ切り換えられる。

Performance Mode では、プログラムチェンジで Part Voice は切り換えられない。

< 付表 1 >

Parameter Base Address

Parameter Block	Top Address			Description
	H	M	L	
	SYSTEM	00	00	
	00	10	00	Plug-in Board Native System
	00	20	00	Master EQ for Voice
	00	21	00	Master Effect for Voice
	00	22	00	Master Effect Knob Setting
MODE CHANGE	0A	00	00	Mode Change
BULK CONTROL	0E	00	00	Header
	0F	00	00	Footer
MULTIPLE BULK CONTROL	10	00	00	Header
	11	00	00	Footer
MASTER KEYBOARD	33	00	00	Common
	32	00	00	Zone1
				:
	32	03	00	Zone4
PERFORMANCE COMMON	30	00	00	Performance Common
PERFORMANCE PART	31	00	00	Part1
				:
	31	03	00	Part4
	31	60	00	Plug-in 1 Part
	31	61	00	Plug-in 2 Part
	31	62	00	Plug-in 3 Part
	34	40	00	AD Part1
				:
	34	44	00	AD Part5
NORMAL VOICE COMMON	40	00	00	Common1
	40	00	40	Common2
	40	01	00	Reverb
	40	02	00	Chorus
	40	03	00	Insertion A
	40	04	00	Insertion B
	40	05	00	Controller
	40	06	00	LFO
	40	70	00	Extra
NORMAL VOICE ELEMENT GROUP 1	41	ee	00	ee: Element No.
NORMAL VOICE ELEMENT GROUP 2	42	ee	00	ee: Element No.
NORMAL VOICE ELEMENT GROUP 3	43	ee	00	ee: Element No.
NORMAL VOICE ELEMENT GROUP 4	44	ee	00	ee: Element No.
DRUM COMMON	46	00	00	Common1
	46	00	40	Common2
	46	01	00	Reverb
	46	02	00	Chorus
	46	03	00	Insertion A
	46	04	00	Insertion B
	46	05	00	Controller
	46	70	00	Extra
DRUM ELEMENT GROUP 1	47	ee	00	ee: Element No.
DRUM ELEMENT GROUP 2	48	ee	00	ee: Element No.
DRUM ELEMENT GROUP 3	49	ee	00	ee: Element No.
DRUM ELEMENT GROUP 4	4A	ee	00	ee: Element No.
VOICE PLUG-IN	4C	00	00	Common
	4C	01	00	Reverb
	4C	02	00	Chorus
	4C	03	00	Insertion A
	4C	04	00	Insertion B
	4C	05	00	Controller
	4C	10	00	Plug-in XG Part
	4C	20	00	Native
	4C	70	00	Extra
Mix for Song/Pattern	36	00	00	Multi Common
	37	00	00	Part1
				:
	37	0F	00	Part16
	37	60	00	Plug-in 1 Part
	37	61	00	Plug-in 2 Part
	37	62	00	Plug-in 3 Part
	38	40	00	AD Part1
				:
	38	44	00	AD Part5

<付表 2>

Bulk Dump Block

Top Addressは、Bulk Dumpで指定されるブロックの先頭アドレスを示します。
 Byte Countは、Bulk Dumpのブロックに含まれるデータサイズを示します。
 PERFORMANCEおよびVOICEのBulk HeaderからBulk FooterまでのBlockは、
 順序は関係なく、すべてそろわなくても受信します。ただし、本来含まれないBlockが
 割り込んだ場合は、無効となります。
 1 Performance/1 Voiceのリクエストは、対応するBulk Headerのアドレスを指定し
 てください。
 Multiple Bulk Control Footerメッセージを受信すると、マスター、パフォーマンス、
 ボイスのデータがフラッシュROMに書き込まれます。

以下の表のBulk Headerの部分のmm、nnについては、Mode ChangeシートのMIDI
 PARAMETER CHANGE TABLE (BULK CONTROL)を参照してください。

Parameter Block	Description	Byte Count		Top Address		
		Dec	Hex	H	M	L
SYSTEM	System	60	003C	00	00	00
	Plug-in Board Native System	48	0030	00	10	00
	Master EQ (for Voice Mode)	20	0014	00	20	00
	Master Effect (for Voice Mode)	35	0023	00	21	00
	Master Effect Knob Setting	32	0020	00	22	00
MASTER KEYBOARD	Bulk Header	0	00	0E	mm	nn
	Common	19	0013	33	00	00
	Zone1	16	0010	32	00	00
	:	4 Blocks		:	:	:
	Zone4	16	0010	32	03	00
	Bulk Footer	0	00	0F	mm	nn
PERFORMANCE	Bulk Header	0	00	0E	mm	nn
COMMON	Common	101	0065	30	00	00
	Reverb	36	0024	30	01	00
	Chorus	37	0025	30	02	00
	Insertion A (for Analog Part)	34	0022	30	03	00
	Insertion B (for Analog Part)	34	0022	30	04	00
	Master EQ	20	0014	30	10	00
	Master Effect	35	0023	30	11	00
	Native (for InsEF Plug-in)	68	0044	30	20	00
PART	Part1	58	003A	31	00	00
	:	4 Blocks		:	:	:
	Part4	58	003A	31	03	00
PLUG-IN PART	Plug-in 1 Part	58	003A	31	60	00
	:	3 Blocks		:	:	:
	Plug-in 3 Part	58	003A	31	62	00
AD PART	AD Part1	8	0008	34	40	00
	:	5 Blocks		:	:	:
	AD Part5	8	0008	34	44	00
	Bulk Footer	0	00	0F	mm	nn
VOICE (NORMAL)	Bulk Header	0	00	0E	mm	nn
COMMON	Extra	82	0052	40	70	00
	Common1	17	0011	40	00	00
	Common2	4	0004	40	00	40
	Reverb	36	0024	40	01	00
	Chorus	37	0025	40	02	00
	Insertion A	34	0022	40	03	00
	Insertion B	34	0022	40	04	00
	Controller	30	001E	40	05	00
	LFO	38	0026	40	06	00
ELEMENT 1	Oscillator	29	001D	41	00	00
	Amplitude	30	001E	41	00	20
	Pitch	30	001E	42	00	00
	Filter	50	0032	43	00	00
	EQ	8	0008	44	00	00
	LFO1	8	0008	44	00	40
	LFO2	4	0004	44	00	50
ELEMENT 2	Oscillator	29	001D	41	01	00
	Amplitude	30	001E	41	01	20
	Pitch	30	001E	42	01	00
	Filter	50	0032	43	01	00
	EQ	8	0008	44	01	00
	LFO1	8	0008	44	01	40
	LFO2	4	0004	44	01	50

Parameter Block	Description	Byte Count		Top Address		
		Dec	Hex	H	M	L
ELEMENT 3	Oscillator	29	001D	41	02	00
	Amplitude	30	001E	41	02	20
	Pitch	30	001E	42	02	00
	Filter	50	0032	43	02	00
	EQ	8	0008	44	02	00
	LFO1	8	0008	44	02	40
	LFO2	4	0004	44	02	50
ELEMENT 4	Oscillator	29	001D	41	03	00
	Amplitude	30	001E	41	03	20
	Pitch	30	001E	42	03	00
	Filter	50	0032	43	03	00
	EQ	8	0008	44	03	00
	LFO1	8	0008	44	03	40
	LFO2	4	0004	44	03	50
	Bulk Footer	0	00	0F	mm	nn
VOICE (DRUM)	Bulk Header	0	00	0E	mm	nn
COMMON	Extra	82	0052	46	70	00
	Common1	8	0008	46	00	00
	Common2	4	0004	46	00	40
	Reverb	36	0024	46	01	00
	Chorus	37	0025	46	02	00
	Insertion A	34	0022	46	03	00
	Insertion B	34	0022	46	04	00
	Controller	30	001E	46	05	00
KEY C 0	Oscillator	19	0013	47	00	00
	Amplitude	12	000C	47	00	20
	Pitch	3	0003	48	00	00
	Filter	8	0008	49	00	00
	EQ	8	0008	4A	00	00
	:	73 Blocks		:	:	:
KEY C 6	Oscillator	19	0013	47	48	00
	Amplitude	12	000C	47	48	20
	Pitch	3	0003	48	48	00
	Filter	8	0008	49	48	00
	EQ	8	0008	4A	48	00
	Bulk Footer	0	00	0F	mm	nn
VOICE (PLUG-IN)	Bulk Header	0	00	0E	mm	nn
COMMON	Extra	82	0052	4C	70	00
	Common	13	000D	4C	00	00
	Reverb	36	0024	4C	01	00
	Chorus	37	0025	4C	02	00
	Insertion A	34	0022	4C	03	00
	Insertion B	34	0022	4C	04	00
	Controller	10	000A	4C	05	00
	Plug-in XG Part	35	0023	4C	10	00
	Native	68	0044	4C	20	00
	Bulk Footer	0	00	0F	mm	nn
MIX	Bulk Header	0	00	0E	mm	nn
COMMON	Common	101	0065	36	00	00
	Reverb	36	0024	36	01	00
	Chorus	37	0025	36	02	00
	Insertion A (for Analog Part)	34	0022	36	03	00
	Insertion B (for Analog Part)	34	0022	36	04	00
	Master EQ	20	0014	36	10	00
	Master Effect	35	0023	36	11	00
	Native (for InsEF Plug-in)	68	0044	36	20	00
PART	Part1	58	003A	37	00	00
	:	16 Blocks		:	:	:
	Part16	58	003A	37	0F	00
PLUG-IN PART	Plug-in 1 Part	58	003A	37	60	00
	:	3 Blocks		:	:	:
	Plug-in 3 Part	58	003A	37	44	00
AD PART	AD Part1	8	0008	38	40	00
	:	5 Blocks		:	:	:
	AD Part5	8	0008	38	44	00
	Bulk Footer	0	00	0F	mm	nn

<付表 3>

MIDI PARAMETER CHANGE TABLE (Mode Change)

Address	Size	Data Range (HEX)	Parameter Name	Description	Notes
0A 00 00	1	00 - 7F	MASTER NUMBER SELECT	0 - 127	
	01	00 - 04	MODE CHANGE	0: Voice, 1: Performance, 2: Pattern (Mix), 3: Song (Mix), 4: Master	

MIDI PARAMETER CHANGE TABLE (Bulk Control)

Address	Size	Data Range (HEX)	Parameter Name	Description	Notes
0E 00 nn	1	-	Bulk Header	Normal Voice PRE1 (nn = 0 - 127)	
	01	-		Normal Voice PRE2 (nn = 0 - 127)	
	02	-		Normal Voice PRE3 (nn = 0 - 127)	
	03	-		Normal Voice PRE4 (nn = 0 - 127)	
	04	-		Normal Voice PRE5 (nn = 0 - 127)	
	05	-		Normal Voice PRE6 (nn = 0 - 127)	
	06	-		Normal Voice GM (nn = 0)	
	08	-		Normal Voice USER1 (nn = 0 - 127)	
	09	-		Normal Voice USER2 (nn = 0 - 127)	
	0F	-		Normal Voice Edit Buffer (nn = 0)	
	18	-		Plug-in Voice PLG1 (nn = 0 - 63)	
	19	-		Plug-in Voice PLG2 (nn = 0 - 63)	
	1A	-		Plug-in Voice PLG3 (nn = 0 - 63)	
	1F	-		Plug-in Voice Edit Buffer (nn = 0)	
	20	-		Drum Voice PRE (nn = 0 - 63)	
	21	-		Drum Voice GM (nn = 0)	
	28	-		Drum Voice USER (nn = 0 - 31)	
	29	-		reserved	
	2F	-		Drum Voice Edit Buffer (nn = 0)	
	40	-		Performance INT (nn = 0 - 127)	
	41	-		reserved	
	4F	-		Performance Edit Buffer (nn = 0)	
	5F	-		Multi Edit Buffer (nn = 0)	
	68	-		reserved	
	6F	-		reserved	
	70	-		Master INT (nn = 0 - 127)	
	7F	-		Master Edit Buffer (nn = 0)	
0F 00 nn	1	-	Bulk Footer	Normal Voice PRE1 (nn = 0 - 127)	
	01	-		Normal Voice PRE2 (nn = 0 - 127)	
	02	-		Normal Voice PRE3 (nn = 0 - 127)	
	03	-		Normal Voice PRE4 (nn = 0 - 127)	
	04	-		Normal Voice PRE5 (nn = 0 - 127)	
	05	-		Normal Voice PRE6 (nn = 0 - 127)	
	06	-		Normal Voice GM (nn = 0)	
	08	-		Normal Voice USER1 (nn = 0 - 127)	
	09	-		Normal Voice USER2 (nn = 0 - 127)	
	0F	-		Normal Voice Edit Buffer (nn = 0)	
	18	-		Plug-in Voice PLG1 (nn = 0 - 63)	
	19	-		Plug-in Voice PLG2 (nn = 0 - 63)	
	1A	-		Plug-in Voice PLG3 (nn = 0 - 63)	
	1F	-		Plug-in Voice Edit Buffer (nn = 0)	
	20	-		Drum Voice PRE (nn = 0 - 63)	
	21	-		Drum Voice GM (nn = 0)	
	28	-		Drum Voice USER (nn = 0 - 31)	
	29	-		reserved	
	2F	-		Drum Voice Edit Buffer (nn = 0)	
	40	-		Performance INT (nn = 0 - 127)	
	41	-		reserved	
	4F	-		Performance Edit Buffer (nn = 0)	
	5F	-		Multi Edit Buffer (nn = 0)	
	68	-		reserved	
	6F	-		reserved	
	70	-		Master INT (nn = 0 - 127)	
	7F	-		Master Edit Buffer (nn = 0)	

<付表 4>

MIDI PARAMETER CHANGE TABLE (SYSTEM)

Address	Size	Data Range (HEX)	Parameter Name	Description	Notes
00 00 00	1	00 - 7F	Master Volume	0 - 127	MIDI Master Volume
	01	28 - 58	Master Note Shift	-24 - +24 [semitones]	
	02	00 - 0F 00 - 0F 00 - 0F 00 - 0F	Master Tune	-102.4 - +102.3 [cent] 1st bit3-0 → bit15-12 2nd bit3-0 → bit11-8 3rd bit3-0 → bit7-4 4th bit3-0 → bit3-0	MIDI Master Tuning
	06	00 - 01	Controller Reset	hold, reset	
	07	1 35 - 4B	Master Transpose	-11 - +11 (semitones)	
	08	1 3D - 43	Master Octave Shift	-3 - +3	
	09	1 00 - 01	Local Switch	off, on	
	0A	1 00 - 10, 7F	Basic Receive Channel	1 - 16, omni, off	
	0B	1 00 - 0F, 7F	Keyboard Transmit Channel	1 - 16, off	
	0C	1	reserved		
	0D	1 00 - 01	REC ARP Switch	off, on	
	0E	1 00 - 01	STEREO L&R OUTPUT GAIN	00: 0dB, 01: +6dB	
	0F	1 00 - 01	ASSIGN OUT L&R OUTPUT GAIN	00: 0dB, 01: +6dB	
	10	1 00 - 01	INDIVIDUAL OUT 1&2 OUTPUT GAIN	00: 0dB, 01: +6dB	
	11	1 00 - 03	BC Curve (for TG)	thru, soft, hard, wide	
	12	1 00 - 04	Keyboard Velocity Curve	norm, soft, hard, wide, fixed	
	13	1 01 - 7F	Keyboard Fixed Velocity	1 - 127	
	14	1 00 - 01	Receive GM/XG On for Multi Part PB	off, on	
	15	1 00 - 01	Receive/Transmit Bank Select	off, on	
	16	1 00 - 01	Receive/Transmit Program Change	off, on	
	17	1 00 - 01	MIDI Control Mode	mode1, mode2	
	18	1 00 - 07	Thru Port for USB	1 - 8	
	19	1 00 - 02	MIDI IN/OUT	MIDI, USB, mLAN	
	1A	1 00 - 07	Effect Bypass for System Effect	bit0: Reverb, bit1: Chorus	
	1B	1	reserved		
	1C	1 00 - 03	Effect Bypass for Insertion Effect	bit0: Internal, bit1: Plug-in Board	
	1D	1 00 - 01	Auto ROM Demo Song & Chain Load Switch	off, on	
	1E	1 00 - 01	AutoLoad Switch	off, on	
	1F	1 00 - 05	Power on Mode	Performance, Voice (INT), Voice (PRE1), GM, last, Master	
	20	1	reserved		
	21	1 00 - 02	Single Part Plug-in Board Port Assign for Multi Mode	1, 2, 3	他モードでは、Port1 固定。
	22	1 00 - 02	Multi Part Plug-in Board Port Assign for Multi Mode	1, 2, 3	他モードでは、Port1 固定。
	23	1 00 - 01	Send XG on to Multi Part PB for Song/Pattern Change	off, on	
	24	1	reserved		
	25	1 00 - 01	Analog Input Gain	mic, line	
	26	1	reserved		
	27	1 00 - 01	Digital Input for AIEB2	coaxial, optical	
	28	1 00 - 01	Digital Output Word Length for AIEB2	20bit, 24bit	
	29	1 00 - 01	mLAN Monitor Switch	off, on	
	2A	1 00 - 55	Assign A Destination	off, 1 - 85	
	2B	1 00 - 55	Assign B Destination	off, 1 - 85	
	2C	1	reserved		
	2D	1 00 - 5F	Assign A Control Number	off, 1 - 95	
	2E	1 00 - 5F	Assign B Control Number	off, 1 - 95	
	2F	1 00 - 01	RB Mode	hold, reset	for Voice Mode
	30	1 00 - 5F	RB Control Number	off, 1 - 95	:
	31	1 00 - 65	FS Assign	off, 1 - 95, ArpSw, ArpHold, Play/Stop, PCInc, PCDec, OctaveReset	
	32	1 00 - 5F	ARP Switch Control Number	off, 1 - 95	
	33	1 00 - 5F	ARP Hold Control Number	off, 1 - 95	
	34	1 00 - 01	ARP MIDI Out Switch	off, on	for Voice Mode
	35	1 00 - 0F	ARP MIDI Out Channel	1 - 16	:
	36	1 00 - 5F	Assign1 Control Number	off, 1 - 95	:
	37	1 00 - 5F	Assign2 Control Number	off, 1 - 95	:
	38	1 00 - 5F	BC Control Number	off, 1 - 95	:
	39	1 00 - 5F	FC2 Control Number	off, 1 - 95	:
	3A	1 00 - 5F	FC1 Control Number	off, 1 - 95	:
	3B	1	reserved		

TOTAL SIZE = 60 3C (HEX)

Address	Size	Data Range (HEX)	Parameter Name	Description	Notes
00 10 00 16	00 - 7F	Plug-in 1 Native System Parameter	Depends on Plug-in Board		
10 16	00 - 7F	Plug-in 2 Native System Parameter	Depends on Plug-in Board		
20 16	00 - 7F	Plug-in 3 Native System Parameter	Depends on Plug-in Board		

TOTAL SIZE = 48 30 (HEX)

Address	Size	Data Range (HEX)	Parameter Name	Description	Notes
00 20 00 1	34 - 4C	EQ Gain1	-12 - +12[dB]	for Voice Mode	
01 1	04 - 28	EQ Frequency1	32 - 2000[Hz]		
02 1	01 - 78	EQ Q1	0.1 - 12.0		
03 1	00 - 01	EQ Shape1	shelv, peak		
04 1	34 - 4C	EQ Gain2	-12 - +12[dB]		
05 1	0E - 36	EQ Frequency2	100 - 10.0[kHz]		
06 1	01 - 78	EQ Q2	0.1 - 12.0		
1	01	reserved			
08 1	34 - 4C	EQ Gain3	-12 - +12[dB]		
09 1	0E - 36	EQ Frequency3	100 - 10.0[kHz]		
0A 1	01 - 78	EQ Q3	0.1 - 12.0		
1		NOT USED			
0C 1	34 - 4C	EQ Gain4	-12 - +12[dB]		
0D 1	0E - 36	EQ Frequency4	100 - 10.0[kHz]		
0E 1	01 - 78	EQ Q4	0.1 - 12.0		
1		NOT USED			
10 1	34 - 4C	EQ Gain5	-12 - +12[dB]		
11 1	1C - 3A	EQ Frequency5	0.5 - 16.0[kHz]		
12 1	01 - 78	EQ Q5	0.1 - 12.0		
13 1	00 - 01	EQ Shape5	shelv, peak		

TOTAL SIZE = 20 14 (HEX)

Address	Size	Data Range (HEX)	Parameter Name	Description	Notes
00 21 00 2	00 - 7F	Master Effect Type MSB	Effect Parameter List	for Voice Mode	
	00 - 7F	Master Effect Type LSB	参照		
02 2	00 - 7F	Master Effect Parameter1 MSB			
	00 - 7F	Master Effect Parameter1 LSB			
04 2	00 - 7F	Master Effect Parameter2 MSB			
	00 - 7F	Master Effect Parameter2 LSB			
06 2	00 - 7F	Master Effect Parameter3 MSB			
	00 - 7F	Master Effect Parameter3 LSB			
08 2	00 - 7F	Master Effect Parameter4 MSB			
	00 - 7F	Master Effect Parameter4 LSB			
0A 2	00 - 7F	Master Effect Parameter5 MSB			
	00 - 7F	Master Effect Parameter5 LSB			
0C 2	00 - 7F	Master Effect Parameter6 MSB			
	00 - 7F	Master Effect Parameter6 LSB			
0E 2	00 - 7F	Master Effect Parameter7 MSB			
	00 - 7F	Master Effect Parameter7 LSB			
10 2	00 - 7F	Master Effect Parameter8 MSB			
	00 - 7F	Master Effect Parameter8 LSB			
12 2	00 - 7F	Master Effect Parameter9 MSB			
	00 - 7F	Master Effect Parameter9 LSB			
14 2	00 - 7F	Master Effect Parameter10 MSB			
	00 - 7F	Master Effect Parameter10 LSB			
16 2	00 - 7F	Master Effect Parameter11 MSB			
	00 - 7F	Master Effect Parameter11 LSB			
18 2	00 - 7F	Master Effect Parameter12 MSB			
	00 - 7F	Master Effect Parameter12 LSB			
1A 2	00 - 7F	Master Effect Parameter13 MSB			
	00 - 7F	Master Effect Parameter13 LSB			
1C 2	00 - 7F	Master Effect Parameter14 MSB			
	00 - 7F	Master Effect Parameter14 LSB			
1E 2	00 - 7F	Master Effect Parameter15 MSB			
	00 - 7F	Master Effect Parameter15 LSB			
20 2	00 - 7F	Master Effect Parameter16 MSB			
	00 - 7F	Master Effect Parameter16 LSB			
22 1	00 - 01	Master Effect ON/OFF	0:OFF, 1:ON		

TOTAL SIZE = 35 23 (HEX)

Address	Size	Data Range (HEX)	Parameter Name	Description	Notes
00 22 00 1	00 - 0F	Master Effect Type1 Knob1 Dest	parameter 1 - 16		
01 1	00 - 0F	Master Effect Type1 Knob2 Dest			
02 1	00 - 0F	Master Effect Type1 Knob3 Dest			
03 1	00 - 0F	Master Effect Type1 Knob4 Dest			
04 1	00 - 0F	Master Effect Type2 Knob1 Dest			
05 1	00 - 0F	Master Effect Type2 Knob2 Dest			
06 1	00 - 0F	Master Effect Type2 Knob3 Dest			
07 1	00 - 0F	Master Effect Type2 Knob4 Dest			
08 1	00 - 0F	Master Effect Type3 Knob1 Dest			
09 1	00 - 0F	Master Effect Type3 Knob2 Dest			
0A 1	00 - 0F	Master Effect Type3 Knob3 Dest			
0B 1	00 - 0F	Master Effect Type3 Knob4 Dest			
0C 1	00 - 0F	Master Effect Type4 Knob1 Dest			
0D 1	00 - 0F	Master Effect Type4 Knob2 Dest			
0E 1	00 - 0F	Master Effect Type4 Knob3 Dest			
0F 1	00 - 0F	Master Effect Type4 Knob4 Dest			
10 1	00 - 0F	Master Effect Type5 Knob1 Dest			

11 1	00 - 0F	Master Effect Type5 Knob2 Dest			
12 1	00 - 0F	Master Effect Type5 Knob3 Dest			
13 1	00 - 0F	Master Effect Type5 Knob4 Dest			
14 1	00 - 0F	Master Effect Type6 Knob1 Dest			
15 1	00 - 0F	Master Effect Type6 Knob2 Dest			
16 1	00 - 0F	Master Effect Type6 Knob3 Dest			
17 1	00 - 0F	Master Effect Type6 Knob4 Dest			
18 1	00 - 0F	Master Effect Type7 Knob1 Dest			
19 1	00 - 0F	Master Effect Type7 Knob2 Dest			
1A 1	00 - 0F	Master Effect Type7 Knob3 Dest			
1B 1	00 - 0F	Master Effect Type7 Knob4 Dest			
1C 1	00 - 0F	Master Effect Type8 Knob1 Dest			
1D 1	00 - 0F	Master Effect Type8 Knob2 Dest			
1E 1	00 - 0F	Master Effect Type8 Knob3 Dest			
1F 1	00 - 0F	Master Effect Type8 Knob4 Dest			

TOTAL SIZE = 32 20 (HEX)

< 付表5 >
MIDI PARAMETER CHANGE TABLE (MASTER)

Address	Size	Data Range (HEX)	Parameter Name	Description	Notes
33 00 00 1	20 - 7E	Master Name1	32 - 126 (ASCII)		
33 00 01 1	20 - 7E	Master Name2	32 - 126 (ASCII)		
33 00 02 1	20 - 7E	Master Name3	32 - 126 (ASCII)		
33 00 03 1	20 - 7E	Master Name4	32 - 126 (ASCII)		
33 00 04 1	20 - 7E	Master Name5	32 - 126 (ASCII)		
33 00 05 1	20 - 7E	Master Name6	32 - 126 (ASCII)		
33 00 06 1	20 - 7E	Master Name7	32 - 126 (ASCII)		
33 00 07 1	20 - 7E	Master Name8	32 - 126 (ASCII)		
33 00 08 1	20 - 7E	Master Name9	32 - 126 (ASCII)		
33 00 09 1	20 - 7E	Master Name10	32 - 126 (ASCII)		
33 00 0A 1		reserved			
33 00 0B 1		reserved			
33 00 0C 1		reserved			
33 00 0D 1	00 - 03	Mode Change	0=Voice, 1=Performance, 2=Pattern, 3=Song		
33 00 0E 1	00 - 7F	Bank MSB for Voice/Perf Mode	0 - 127		
33 00 0F 1	00 - 7F	Bank LSB for Voice/Perf Mode	0 - 127		
33 00 10 1	00 - 7F	Program Number	1 - 128		
33 00 11 1	00 - 01	Zone on/off	off, on		
33 00 12 1	00 - 06	Knob/Slider Function Select	0=Pan&Send, 1=Tone, 2=Assign, 3=MeqOffset/PartEQ, 4=MasterEffect, 5=ARP FX, 6=Zone		

TOTAL SIZE = 19 13 (HEX)

Address	Size	Data Range (HEX)	Parameter Name	Description	Notes
32 nn 00 1	00 - 3F	Transmit Channel, MIDI/TG Switch	bit0-3: Ch1 - 16 bit4: MIDI off, on bit5: TG off, on		
32 nn 01 1	3D - 43	Transpose (Octave)	-3 - +3		
32 nn 02 1	35 - 4B	Transpose (Semitone)	-11 - +11 (semitones)		
32 nn 03 1	00 - 7F	Note Limit Low	C-2 - G8		
32 nn 04 1	00 - 7F	Note Limit High	C-2 - G8		
32 nn 05 1	00 - 07	Transmit Bank Select for TG Transmit Program Change for TG Transmit RB	bit0: off, on Bank Select bit1: off, on Program Change bit2: off, on RB		
32 nn 06 1		reserved			
32 nn 07 1	00 - 7F	MIDI Volume	0 - 127		
32 nn 08 1	00 - 7F	MIDI Pan	0 - 127		
32 nn 09 1	00 - 7F	MIDI Bank MSB	0 - 127		
32 nn 0A 1	00 - 7F	MIDI Bank LSB	0 - 127		
32 nn 0B 1	00 - 7F	MIDI Program Number	1 - 128		
32 nn 0C 1	00 - 7F	Transmit Volume/Expression Transmit Pan Transmit Sustain Transmit Bank Select for MIDI Transmit Program Change for MIDI Transmit AT Transmit PB	bit0: off, on Volume/Expression bit1: off, on Pan bit2: off, on Sustain bit3: off, on Bank Select bit4: off, on Program Change bit5: off, on AT bit6: off, on PB		Ctrl#7, 11
32 nn 0D 1	00 - 7F	Transmit FC2 Transmit FS Transmit FC1 Transmit BC Transmit MW Transmit Assignable Slider Transmit Assignable Knob	bit0: off, on FC2 bit1: off, on FS bit2: off, on FC1 bit3: off, on BC bit4: off, on MW bit5: off, on Assignable Slider bit6: off, on Assignable Knob		
32 nn 0E 1	00 - 5F	Control Slider Control Number	off, 1 - 95		
32 nn 0F 1	00 - 5F	Control knob Control Number	off, 1 - 95		

TOTAL SIZE = 16 10 (HEX)

nn = zone number 00 - 03

<付表 6>

MIDI PARAMETER CHANGE TABLE (PERFORMANCE COMMON)

Address	Size	Data Range (HEX)	Parameter Name	Description	Notes
30 00 00	1	20 - 7E	Performance Name1	32 - 126 (ASCII)	
	01	1	Performance Name2	32 - 126 (ASCII)	
	02	1	Performance Name3	32 - 126 (ASCII)	
	03	1	Performance Name4	32 - 126 (ASCII)	
	04	1	Performance Name5	32 - 126 (ASCII)	
	05	1	Performance Name6	32 - 126 (ASCII)	
	06	1	Performance Name7	32 - 126 (ASCII)	
	07	1	Performance Name8	32 - 126 (ASCII)	
	08	1	Performance Name9	32 - 126 (ASCII)	
	09	1	Performance Name10	32 - 126 (ASCII)	
	0A	1	reserved		
	0B	1	reserved		
	0C	1	Performance Category (Main)	0 - 16 (-- Co)	Ap, Kb, Or, Gt, Ba, St, Br, Rp, Ld, Pd, Sc, Cp, Dr, Se, Me, Co
	0D	1	Performance Category (Sub)	0 - 3 (-- Sub1 - Sub3)	メインカテゴリリーによる
	0E	1	reserved		
	0F	1	reserved		
	10	1	reserved		
	11	1	ARP MIDI Out Switch	off, on	
	12	1	ARP MIDI Out Channel	1 - 16, kbd-ch	
30 00	13	1	reserved		
	14	2	ARP Type MSB ARP Type LSB	0 - 1786: Preset, 8192 - 8447: User	
	16	1	ARP Switch	off, on	
	17	1	ARP Hold	sync-off, off, on	
	18	1	ARP Unit Multiplay	50%, 66%, 75%, 100%, 133%, 150%, 200%	
	19	1	ARP Note Limit Low	C-2 - G8	
	1A	1	ARP Note Limit High	C-2 - G8	
	1B	1	ARP Velocity Limit Low	1 - 127	
	1C	1	ARP Velocity Limit High	1 - 127	
	1D	1	ARP Key Mode	sort, thru, direct, sort+direct, thru+direct	
	1E	1	ARP Vel Mode	original, thru	
	1F	1	ARP Change Timing	realtime, measure	
	20	1	ARP Quantize Value	32th, 16th Triplet, 16th, 8th Triplet, 8th, 4th Triplet, 4th	
	21	1	ARP Quantize Strength	0 - 100%	
	22	2	ARP Velocity Rate MSB ARP Velocity Rate LSB	0 - 200%	
	24	2	ARP Gate Time Rate MSB ARP Gate Time Rate LSB	0 - 200%	
	26	2	ARP Swing MSB ARP Swing LSB	-120 - 0 - +120	
	28	2	ARP Tempo MSB ARP Tempo LSB	1 - 300	
	2A	2	ARP SF1 Assign Type MSB ARP SF1 Assign Type LSB	0 - 1786: Preset, 8192 - 8447: User, 16383: No Type	
	2C	2	ARP SF2 Assign Type MSB ARP SF2 Assign Type LSB	0 - 1786: Preset, 8192 - 8447: User, 16383: No Type	
	2E	2	ARP SF3 Assign Type MSB ARP SF3 Assign Type LSB	0 - 1786: Preset, 8192 - 8447: User, 16383: No Type	
	30	2	ARP SF4 Assign Type MSB ARP SF4 Assign Type LSB	0 - 1786: Preset, 8192 - 8447: User, 16383: No Type	
	32	2	ARP SF5 Assign Type MSB ARP SF5 Assign Type LSB	0 - 1786: Preset, 8192 - 8447: User, 16383: No Type	
30 00	34	1	Knob Function Select	0=Pan&Send, 1=Tone, 2=Assign, 3=MeqOffset, 4=MasterEffect, 5=ARP FX	
	35	1	Pan	L63 - C - R63	
	36	1	reserved		
	37	1	QED Decay Time	-64 - +63	
	38	1	QED Sustain Level	-64 - +63	
	39	1	QED FEG Attack Time	-64 - +63	
	3A	1	QED FEG Decay Time	-64 - +63	
	3B	1	QED FEG Release Time	-64 - +63	
	3C	1	reserved		
	3D	1	QED FEG Depth	-64 - +63	
	3E	1	KnobA	-64 - +63	
	3F	1	KnobB	-64 - +63	
	40	1	reserved		
	41	1	EQ Low Gain	-64 - +63	
	42	1	EQ Low Mid Gain	-64 - +63	
	43	1	EQ High Mid Gain	-64 - +63	

Address	Size	Data Range (HEX)	Parameter Name	Description	Notes
	44	1	00 - 7F	EQ High Gain	-64 - +63
	45	1	00 - 7F	Assign1	-64 - +63
	46	1	00 - 7F	Assign2	-64 - +63
	47	1	00 - 7F	Cutoff Frequency	-64 - +63
	48	1	00 - 7F	Resonance	-64 - +63
	49	1	00 - 7F	Attack Time	-64 - +63
	4A	1	00 - 7F	Release Time	-64 - +63
	4B	1		reserved	
	4C	1		reserved	
	4D	1		reserved	
	4E	1		reserved	
	4F	1		reserved	
	50	1		reserved	
	51	1		reserved	
30 00	52	1	00 - 7F	Volume	0 - 127
	53	1	00 - 7F	QED Portamento Time	-64 - +63
	54	1	00 - 01	QED Portamento Switch	off, on
	55	1	00 - 7F	Reverb Send	0 - 127
	56	1	00 - 7F	Chorus Send	0 - 127
	57	1		reserved	
	58	1	00 - 5F	Assign1 Control Number	off, 1 - 95
	59	1	00 - 5F	Assign2 Control Number	off, 1 - 95
	5A	1	00 - 5F	BC Control Number	off, 1 - 95
	5B	1	00 - 5F	FC2 Control Number	off, 1 - 95
	5C	1	00 - 5F	FC1 Control Number	off, 1 - 95
	5D	1	00 - 01	RB Mode	hold, reset
	5E	1	00 - 5F	RB Control Number	off, 1 - 95
	5F	1	01-02	Analog Insertion Connect Type	A->B, B->A
	60	4	00	Insertion Part Sw	reserved
			00 - 3C		bit0: reserved bit1: reserved bit2: off, on PBPart1 bit3: off, on PBPart2 bit4: off, on PBPart3 bit5: off, on AnalogPart bit6: reserved
			00		reserved
			00 - 0F		bit0: off, on Part1 bit1: off, on Part2 bit2: off, on Part3 bit3: off, on Part4 bit4: reserved bit5: reserved bit6: reserved
	64	1	00 - 7F	InsEF Plug-in Part	0 - 3: Part1 - 4 64: PartAD 97 - 98: PB Part2, 3 127: off (上記以外の値でも)

TOTAL SIZE = 101 65 (HEX)

30 01 00	2	00 - 7F 00 - 7F	Reverb Type MSB Reverb Type LSB	Effect Parameter List 参照	
	02	2	00 - 7F 00 - 7F	Reverb Parameter 1 MSB Reverb Parameter 1 LSB	:
	04	2	00 - 7F 00 - 7F	Reverb Parameter 2 MSB Reverb Parameter 2 LSB	:
	06	2	00 - 7F 00 - 7F	Reverb Parameter 3 MSB Reverb Parameter 3 LSB	:
	08	2	00 - 7F 00 - 7F	Reverb Parameter 4 MSB Reverb Parameter 4 LSB	:
	0A	2	00 - 7F 00 - 7F	Reverb Parameter 5 MSB Reverb Parameter 5 LSB	:
	0C	2	00 - 7F 00 - 7F	Reverb Parameter 6 MSB Reverb Parameter 6 LSB	:
	0E	2	00 - 7F 00 - 7F	Reverb Parameter 7 MSB Reverb Parameter 7 LSB	:
	10	2	00 - 7F 00 - 7F	Reverb Parameter 8 MSB Reverb Parameter 8 LSB	:
	12	2	00 - 7F 00 - 7F	Reverb Parameter 9 MSB Reverb Parameter 9 LSB	:
	14	2	00 - 7F 00 - 7F	Reverb Parameter 10 MSB Reverb Parameter 10 LSB	:
	16	2	00 - 7F 00 - 7F	Reverb Parameter 11 MSB Reverb Parameter 11 LSB	:
	18	2	00 - 7F 00 - 7F	Reverb Parameter 12 MSB Reverb Parameter 12 LSB	:
	1A	2	00 - 7F 00 - 7F	Reverb Parameter 13 MSB Reverb Parameter 13 LSB	:
	1C	2	00 - 7F 00 - 7F	Reverb Parameter 14 MSB Reverb Parameter 14 LSB	:
	1E	2	00 - 7F 00 - 7F	Reverb Parameter 15 MSB Reverb Parameter 15 LSB	:
	20	2	00 - 7F 00 - 7F	Reverb Parameter 16 MSB Reverb Parameter 16 LSB	:
30 01 22	1	00 - 7F	Reverb Return	-∞dB - 0dB - +6dB (0 - 96 - 127)	
30 01 23	1	01 - 7F	Reverb Pan	L63 - C - R63	

TOTAL SIZE = 36 24 (HEX)

Address	Size	Data Range (HEX)	Parameter Name	Description	Notes
30 02 00	2	00-7F 00-7F	Chorus Type MSB Chorus Type LSB	Effect ParameterList 参照	
	02	2	00-7F 00-7F	Chorus Parameter 1 MSB Chorus Parameter 1 LSB	:
	04	2	00-7F 00-7F	Chorus Parameter 2 MSB Chorus Parameter 2 LSB	:
	06	2	00-7F 00-7F	Chorus Parameter 3 MSB Chorus Parameter 3 LSB	:
	08	2	00-7F 00-7F	Chorus Parameter 4 MSB Chorus Parameter 4 LSB	:
	0A	2	00-7F 00-7F	Chorus Parameter 5 MSB Chorus Parameter 5 LSB	:
	0C	2	00-7F 00-7F	Chorus Parameter 6 MSB Chorus Parameter 6 LSB	:
	0E	2	00-7F 00-7F	Chorus Parameter 7 MSB Chorus Parameter 7 LSB	:
	10	2	00-7F 00-7F	Chorus Parameter 8 MSB Chorus Parameter 8 LSB	:
	12	2	00-7F 00-7F	Chorus Parameter 9 MSB Chorus Parameter 9 LSB	:
	14	2	00-7F 00-7F	Chorus Parameter 10 MSB Chorus Parameter 10 LSB	:
	16	2	00-7F 00-7F	Chorus Parameter 11 MSB Chorus Parameter 11 LSB	:
	18	2	00-7F 00-7F	Chorus Parameter 12 MSB Chorus Parameter 12 LSB	:
	1A	2	00-7F 00-7F	Chorus Parameter 13 MSB Chorus Parameter 13 LSB	:
	1C	2	00-7F 00-7F	Chorus Parameter 14 MSB Chorus Parameter 14 LSB	:
	1E	2	00-7F 00-7F	Chorus Parameter 15 MSB Chorus Parameter 15 LSB	:
	20	2	00-7F 00-7F	Chorus Parameter 16 MSB Chorus Parameter 16 LSB	:
	22	1	00-7F	Chorus Return	--dB - 0dB - +6dB (0 - 96 - 127)
	23	1	01-7F	Chorus Pan	L63 - C - R63
	24	1	00-7F	Send Chorus To Reverb	--dB - 0dB (0 - 127)

TOTAL SIZE = 37 25 (HEX)

30 03 00	2	00-7F 00-7F	Insertion-A Type MSB Insertion-A Type LSB	Effect ParameterList 参照	for Analog Part
	02	2	00-7F 00-7F	Insertion-A Parameter1 MSB Insertion-A Parameter1 LSB	:
	04	2	00-7F 00-7F	Insertion-A Parameter2 MSB Insertion-A Parameter2 LSB	:
	06	2	00-7F 00-7F	Insertion-A Parameter3 MSB Insertion-A Parameter3 LSB	:
	08	2	00-7F 00-7F	Insertion-A Parameter4 MSB Insertion-A Parameter4 LSB	:
	0A	2	00-7F 00-7F	Insertion-A Parameter5 MSB Insertion-A Parameter5 LSB	:
	0C	2	00-7F 00-7F	Insertion-A Parameter6 MSB Insertion-A Parameter6 LSB	:
	0E	2	00-7F 00-7F	Insertion-A Parameter7 MSB Insertion-A Parameter7 LSB	:
	10	2	00-7F 00-7F	Insertion-A Parameter8 MSB Insertion-A Parameter8 LSB	:
	12	2	00-7F 00-7F	Insertion-A Parameter9 MSB Insertion-A Parameter9 LSB	:
	14	2	00-7F 00-7F	Insertion-A Parameter10 MSB Insertion-A Parameter10 LSB	:
	16	2	00-7F 00-7F	Insertion-A Parameter11 MSB Insertion-A Parameter11 LSB	:
	18	2	00-7F 00-7F	Insertion-A Parameter12 MSB Insertion-A Parameter12 LSB	:
	1A	2	00-7F 00-7F	Insertion-A Parameter13 MSB Insertion-A Parameter13 LSB	:
	1C	2	00-7F 00-7F	Insertion-A Parameter14 MSB Insertion-A Parameter14 LSB	:
	1E	2	00-7F 00-7F	Insertion-A Parameter15 MSB Insertion-A Parameter15 LSB	:
	20	2	00-7F 00-7F	Insertion-A Parameter16 MSB Insertion-A Parameter16 LSB	:

TOTAL SIZE = 34 22 (HEX)

30 04 00	2	00-7F 00-7F	Insertion-B Type MSB Insertion-B Type LSB	Effect ParameterList 参照	for Analog Part
	02	2	00-7F 00-7F	Insertion-B Parameter 1 MSB Insertion-B Parameter 1 LSB	:
	04	2	00-7F 00-7F	Insertion-B Parameter 2 MSB Insertion-B Parameter 2 LSB	:
	06	2	00-7F 00-7F	Insertion-B Parameter 3 MSB Insertion-B Parameter 3 LSB	:
	08	2	00-7F 00-7F	Insertion-B Parameter 4 MSB Insertion-B Parameter 4 LSB	:
	0A	2	00-7F 00-7F	Insertion-B Parameter 5 MSB Insertion-B Parameter 5 LSB	:
	0C	2	00-7F 00-7F	Insertion-B Parameter 6 MSB Insertion-B Parameter 6 LSB	:

	0E	2	00-7F 00-7F	Insertion-B Parameter 7 MSB Insertion-B Parameter 7 LSB	:
	10	2	00-7F 00-7F	Insertion-B Parameter 8 MSB Insertion-B Parameter 8 LSB	:
	12	2	00-7F 00-7F	Insertion-B Parameter 9 MSB Insertion-B Parameter 9 LSB	:
	14	2	00-7F 00-7F	Insertion-B Parameter 10 MSB Insertion-B Parameter 10 LSB	:
	16	2	00-7F 00-7F	Insertion-B Parameter 11 MSB Insertion-B Parameter 11 LSB	:
	18	2	00-7F 00-7F	Insertion-B Parameter 12 MSB Insertion-B Parameter 12 LSB	:
	1A	2	00-7F 00-7F	Insertion-B Parameter 13 MSB Insertion-B Parameter 13 LSB	:
	1C	2	00-7F 00-7F	Insertion-B Parameter 14 MSB Insertion-B Parameter 14 LSB	:
	1E	2	00-7F 00-7F	Insertion-B Parameter 15 MSB Insertion-B Parameter 15 LSB	:
	20	2	00-7F 00-7F	Insertion-B Parameter 16 MSB Insertion-B Parameter 16 LSB	:

TOTAL SIZE = 34 22 (HEX)

30 10 00	1	34-4C	EQ Gain1	-12 - +12 [dB]	
	01	1	04-28	EQ Frequency1	32 - 2000 [Hz]
	02	1	01-78	EQ Q1	0.1 - 12.0
	03	1	00-01	EQ Shape1	shelv, peak
	04	1	34-4C	EQ Gain2	-12 - +12 [dB]
	05	1	0E-36	EQ Frequency2	100 - 10.0 [kHz]
	06	1	01-78	EQ Q2	0.1 - 12.0
	1			reserved	
	08	1	34-4C	EQ Gain3	-12 - +12 [dB]
	09	1	0E-36	EQ Frequency3	100 - 10.0 [kHz]
	0A	1	01-78	EQ Q3	0.1 - 12.0
	1			Not Used	
	0C	1	34-4C	EQ Gain4	-12 - +12 [dB]
	0D	1	0E-36	EQ Frequency4	100 - 10.0 [kHz]
	0E	1	01-78	EQ Q4	0.1 - 12.0
	1			Not Used	
	10	1	34-4C	EQ Gain5	-12 - +12 [dB]
	11	1	1C-3A	EQ Frequency5	0.5 - 16.0 [kHz]
	12	1	01-78	EQ Q5	0.1 - 12.0
	13	1	00-01	EQ Shape5	shelv, peak

TOTAL SIZE = 20 14 (HEX)

30 11 00	2	00-7F 00-7F	Master Effect Type MSB Master Effect Type LSB	Effect Parameter List 参照	
	02	2	00-7F 00-7F	Master Effect Parameter1 MSB Master Effect Parameter1 LSB	:
	04	2	00-7F 00-7F	Master Effect Parameter2 MSB Master Effect Parameter2 LSB	:
	06	2	00-7F 00-7F	Master Effect Parameter3 MSB Master Effect Parameter3 LSB	:
	08	2	00-7F 00-7F	Master Effect Parameter4 MSB Master Effect Parameter4 LSB	:
	0A	2	00-7F 00-7F	Master Effect Parameter5 MSB Master Effect Parameter5 LSB	:
	0C	2	00-7F 00-7F	Master Effect Parameter6 MSB Master Effect Parameter6 LSB	:
	0E	2	00-7F 00-7F	Master Effect Parameter7 MSB Master Effect Parameter7 LSB	:
	10	2	00-7F 00-7F	Master Effect Parameter8 MSB Master Effect Parameter8 LSB	:
	12	2	00-7F 00-7F	Master Effect Parameter9 MSB Master Effect Parameter9 LSB	:
	14	2	00-7F 00-7F	Master Effect Parameter10 MSB Master Effect Parameter10 LSB	:
	16	2	00-7F 00-7F	Master Effect Parameter11 MSB Master Effect Parameter11 LSB	:
	18	2	00-7F 00-7F	Master Effect Parameter12 MSB Master Effect Parameter12 LSB	:
	1A	2	00-7F 00-7F	Master Effect Parameter13 MSB Master Effect Parameter13 LSB	:
	1C	2	00-7F 00-7F	Master Effect Parameter14 MSB Master Effect Parameter14 LSB	:
	1E	2	00-7F 00-7F	Master Effect Parameter15 MSB Master Effect Parameter15 LSB	:
	20	2	00-7F 00-7F	Master Effect Parameter16 MSB Master Effect Parameter16 LSB	:
	22	1	00-01	Master Effect ON/OFF	0: OFF, 1: ON

TOTAL SIZE = 35 23 (HEX)

30 20 00	16	00-7F	Plug-in Board Native System Parameter	(for InsEF Plug-in)
30 20 10	48	00-7F	Plug-in Board Native Parameter	(for InsEF Plug-in)
30 20 40	3	00-7F 00-7F 00-7F	Plug-in Board Type MSB Plug-in Board Type LSB Plug-in Board Version Number	(for InsEF Plug-in)
	43	1	00-7F	reserved

TOTAL SIZE = 68 44 (HEX)

<付表 7>

MIDI PARAMETER CHANGE TABLE (PERFORMANCE PART)

Address	Size	Data Range (HEX)	Parameter Name	Description	Notes		
31	pp	00	1	00 – 7F	Bank Select MSB	0 – 127	
		01	1	00 – 7F	Bank Select LSB	0 – 127	
		02	1	00 – 7F	Program Number	1 – 128	
		03	1		reserved		
		04	1	00 – 01	Part Mode	mono, poly	
		05	1	01 – 7F	Velocity Limit Low	1 – 127	
		06	1	01 – 7F	Velocity Limit High	1 – 127	
		07	1	00 – 7F	Note Limit Low	C-2 – G8	
		08	1	00 – 7F	Note Limit High	C-2 – G8	
		09	1	10 – 58	Pitch Bend Range Upper	-48 – +24 (PB Part: -24 – +24)	
		0A	1	10 – 58	Pitch Bend Range Lower	-48 – +24	
		0B	1	00 – 7F	Velocity Sense Depth	0 – 127	
		0C	1	00 – 7F	Velocity Send Offset	0 – 127	
		0D	1	00 – 7F	Volume	0 – 127	
		0E	1	01 – 7F	Pan	L63 – C – R63	
		0F	1		reserved		
		10	2	00 – 0F 00 – 0F	Detune MSB Detune LSB	-12.8 – +12.7 [Hz] 1st bit3-0 → bit7-4 2nd bit3-0 → bit3-0	
		12	1	00 – 7F	Reverb Send	0 – 127	
		13	1	00 – 7F	Chorus Send	0 – 127	
		14	1	00 – 7F	reserved		
		15	1	00 – 7F	Dry Level	0 – 127	
		16	1	28 – 58	Note Shift	-24 – +24 [semitones]	
		17	1	00 – 7F	Filter Cutoff Frequency	-64 – +63	
		18	1	00 – 7F	Filter Resonance/Width	-64 – +63	
		19	1		reserved		
		1A	1	00 – 01	Portamento Switch	off, on	
		1B	1	00 – 7F	Portamento Time	0 – 127	
		1C	1	00 – 01	Portamento Mode	fingered, fulltime	
		1D	1		reserved		
		1E	1	00 – 7F	Output Select	0: L&R, 8: asnL&R, 9-15: asn1&2 – asn13&14 64 – 79: asnL, asnR, asn1 – asn14, 127: drum (or L&R)	
31	pp	1F	1	00 – 7F	Layer Sw Arpeggio Sw Receive Control Change Receive AT Receive PB	bit0: Layer Sw off, on bit1: Arpeggio Sw off, on bit2: off, on Control Change bit3: reserved bit4: reserved bit5: off, on AT bit6: off, on PB	Part1: on, Other: off Part1: on, Other: off
		20	1	00 – 7F	Receive Volume/Expression Receive Sustain/Sostenuto Receive MW	bit0: off, on Expression bit1: reserved bit2: reserved bit3: off, on Sustain/Sostenuto bit4: reserved bit5: off, on MW bit6: reserved	
		21	1	00 – 7F	Receive FC2 Receive FS Receive FC1 Receive BC Receive Knob1 Receive Knob2 Receive RB	bit0: off, on FC2 bit1: off, on FS bit2: off, on FC1 bit3: off, on BC bit4: off, on KN1 bit5: off, on KN2 bit6: off, on RB	
31	pp	22	1	00 – 7F	AEG Decay2 Level (EG Sustain Level)	-64 – +63	
		23	1	00 – 7F	AEG Attack Time (EG Attack Time)	-64 – +63	
		24	1	00 – 01	Voice Pan on/off	off, on	
		25	1	00 – 7F	AEG Decay2 Time (EG Decay Time)	-64 – +63	
		26	1	00 – 7F	AEG Release Time (EG Release Time)	-64 – +63	
		27	1	00 – 7F	FEG Decay2 Level (EG Sustain Level)	-64 – +63	
		28	1	00 – 7F	FEG Attack Time (EG Attack Time)	-64 – +63	
		29	1		reserved		
		2A	1	00 – 7F	FEG Decay2 Time (EG Decay Time)	-64 – +63	
		2B	1	00 – 7F	FEG Release Time (EG Release Time)	-64 – +63	
		2C	1	00 – 7F	FEG DEPTH	-64 – +63	
31	pp	2D	1	00	reserved		
		2E	2	002E – 00B6	Low Frequency MSB Low Frequency LSB	50.1 – 2.00k	
		30	1	20 – 60	Low Gain	-32 – +32	
		31	1	00	reserved		
		32	2	0053 – 00F1	Mid Frequency MSB Mid Frequency LSB	139.7 – 10.1k	
		34	1	20 – 60	Mid Gain	-32 – +32	
		35	1	00 – 1F	Mid Resonance	0 – 31	
		36	2	0083 – 00FF	High Frequency MSB High Frequency LSB	503.8 – 14k	
		38	1	20 – 60	High Gain	-32 – +32	
		39	1	00	reserved		

TOTAL SIZE = 58 3 (HEX)

pp = part number

- 00 – 03 Part 1 – 4 (Normal, Drum)
- 60 Part Plug-in 1 (User, Preset, Direct)
- 61 Part Plug-in 2 (User, Preset, Direct)
- 62 Part Plug-in 3 (User, Preset, Direct)

Address	Size	Data Range (HEX)	Parameter Name	Description	Notes	
34	pp	00	1	00 - 03	A/D Input Mode	L mono, R mono, L+R mono, stereo
		01	1	00 - 7F	A/D Part Volume	0 - 127
		02	1	01 - 7F	A/D Part Pan	L63 - C - R63
		03	1	00 - 7F	A/D Part Reverb Send	0 - 127
		04	1	00 - 7F	A/D Part Chorus Send	0 - 127
		05	1	00 - 7F	reserved	
		06	1	00 - 7F	A/D Part Dry Level	0 - 127
		07	1	00 - 4F	A/D Part Output Select	0: L&R 8: asnL&R 9-15: asn1&2 - asn13&14 64 - 79: asnL, asnR, asn1 - asn14

TOTAL SIZE = 8 08 (HEX)

pp = part number
40 - 44 AD Part

<付表 8>
MIDI PARAMETER CHANGE TABLE (NORMAL VOICE COMMON)

Address	Size	Data Range (HEX)	Parameter Name	Description	Notes	
40	70	00	1	20 - 7E	Voice Name1	32 - 126 (ASCII)
		01	1	20 - 7E	Voice Name2	32 - 126 (ASCII)
		02	1	20 - 7E	Voice Name3	32 - 126 (ASCII)
		03	1	20 - 7E	Voice Name4	32 - 126 (ASCII)
		04	1	20 - 7E	Voice Name5	32 - 126 (ASCII)
		05	1	20 - 7E	Voice Name6	32 - 126 (ASCII)
		06	1	20 - 7E	Voice Name7	32 - 126 (ASCII)
		07	1	20 - 7E	Voice Name8	32 - 126 (ASCII)
		08	1	20 - 7E	Voice Name9	32 - 126 (ASCII)
		09	1	20 - 7E	Voice Name10	32 - 126 (ASCII)
		0A	1		reserved	
		0B	1		reserved	
		0C	1	00 - 10	Voice Category (Main)	0 - 16 (-- Co) Ap, Kb, Or, Gt, Ba, St, Br, Rp, Ld, Pd, Sc, Cp, Dr, Se, Me, Co
		0D	1	00 - 03	Voice Category (Sub)	0 - 3 (-- Sub1 - Sub3) Category List 参照
		0E	1		reserved	
		0F	1		reserved	
		10	1		reserved	
		11	1		reserved	
		12	1		reserved	
40	70	13	1		reserved	
		14	2	0000 - 20FF	ARP Type MSB ARP Type LSB	0 - 1786: Preset, 8192-8447: User
		16	1	00 - 01	ARP Switch	off, on
		17	1	00 - 02	ARP Hold	sync-off, off, on
		18	1	00 - 06	ARP Unit Multiplay	50%, 66%, 75%, 100%, 133%, 150%, 200%
		19	1	00 - 7F	ARP Note Limit Low	C-2 - G8
		1A	1	00 - 7F	ARP Note Limit High	C-2 - G8
		1B	1	01 - 7F	ARP Velocity Limit Low	1 - 127
		1C	1	01 - 7F	ARP Velocity Limit High	1 - 127
		1D	1	00 - 04	ARP Key Mode	sort, thru, direct, sort+direct, thru+direct
		1E	1	00 - 01	ARP Vel Mode	original, thru
		1F	1	00 - 01	ARP Change Timing	realtime, measure
		20	1	00 - 06	ARP Quantize Value	32th, 16th Triplet, 16th, 8th Triplet, 8th, 4th Triplet, 4th
		21	1	00 - 64	ARP Quantize Strength	0 - 100%
		22	2	0000 - 00C8	ARP Velocity Rate MSB ARP Velocity Rate LSB	0 - 200%
		24	2	0000 - 00C8	ARP Gate Time Rate MSB ARP Gate Time Rate LSB	0 - 200%
		26	2	0008 - 00F8	ARP Swing MSB ARP Swing LSB	-120 - 0 - +120
		28	2	0001 - 012C	ARP Tempo MSB ARP Tempo LSB	1 - 300
		2A	2	0000 - 3FFF	ARP SF1 Assign Type MSB ARP SF1 Assign Type LSB	0 - 1786: Preset, 8192-8447: User, 16383: No Type
		2C	2	0000 - 3FFF	ARP SF2 Assign Type MSB ARP SF2 Assign Type LSB	0 - 1786: Preset, 8192-8447: User, 16383: No Type
		2E	2	0000 - 3FFF	ARP SF3 Assign Type MSB ARP SF3 Assign Type LSB	0 - 1786: Preset, 8192-8447: User, 16383: No Type
		30	2	0000 - 3FFF	ARP SF4 Assign Type MSB ARP SF4 Assign Type LSB	0 - 1786: Preset, 8192-8447: User, 16383: No Type
		32	2	0000 - 3FFF	ARP SF5 Assign Type MSB ARP SF5 Assign Type LSB	0 - 1786: Preset, 8192-8447: User, 16383: No Type

Address	Size	Data Range (HEX)	Parameter Name	Description	Notes	
40	70	34	1	00 - 05	Knob Function Select	0=Pan&Send, 1=Tone, 2=Assign, 3=MeqOffset, 4=MasterEffect, 5=ARP FX
		35	1	01 - 7F	Pan	L63 - C - R63
		36	1	40	reserved	
		37	1	00 - 7F	QED Decay Time	-64 - +63
		38	1	00 - 7F	QED Sustain Level	-64 - +63
		39	1	00 - 7F	QED FEG Attack Time	-64 - +63
		3A	1	00 - 7F	QED FEG Decay Time	-64 - +63
		3B	1	00 - 7F	QED FEG Release Time	-64 - +63
		3C	1		reserved	
		3D	1	00 - 7F	QED FEG Depth	-64 - +63
		3E	1	00 - 7F	KnobA	-64 - +63
		3F	1	00 - 7F	KnobB	-64 - +63
		40	1		reserved	
		41	1	00 - 7F	EQ Low Gain	-64 - +63
		42	1	00 - 7F	EQ Low Mid Gain	-64 - +63
		43	1	00 - 7F	EQ High Mid Gain	-64 - +63
		44	1	00 - 7F	EQ High Gain	-64 - +63
		45	1	00 - 7F	Assign1	-64 - +63
		46	1	00 - 7F	Assign2	-64 - +63
		47	1	00 - 7F	Cutoff Frequency	-64 - +63
		48	1	00 - 7F	Resonance	-64 - +63
		49	1	00 - 7F	Attack Time	-64 - +63
		4A	1	00 - 7F	Release Time	-64 - +63
		4B	1		reserved	
		4C	1		reserved	
		4D	1		reserved	
		4E	1		reserved	
		4F	1		reserved	
		50	1		reserved	
		51	1		reserved	

TOTAL SIZE = 82 52 (HEX)

40	00	00	1	00 - 7F	reserved	
		01	1	00 - 7F	Volume	0 - 127
		02	1	00 - 01	Same Note Number Key On Assign	single, multi
		03	1	00 - 01	QED Mono/Poly Mode	mono, poly
		04	1	00 - 0C	Micro Tuning Scale	Equal, PureMajor, PureMinor, Werckmeister, Kirnberger, Vallot&Yng, 1/4 Shift, 1/4 Tone, 1/8 Tone, Indian, Arabic 1, Arabic 2, Arabic 3
		05	1	10 - 58	QED Pitch Bend Range Upper	-48 - +24 [semitones]
		06	1	10 - 58	QED Pitch Bend Range Lower	-48 - +24 [semitones]
		07	1	00 - 01	QED Portamento Mode	fingered, fulltime
		08	1	00 - 01	QED Portamento Switch	off, on
		09	1	00 - 7F	QED Portamento Time	0 - 127
		0A	1	00 - 03	Portamento Time Mode	rate1, time1, rate2, time2
		0B	1	00 - 7F	Reverb Send	--dB - 0dB
		0C	1	00 - 7F	Chorus Send	--dB - 0dB
		0D	1		reserved	
		0E	1		reserved	
		0F	1	00 - 0B	Micro Tuning Root	C - B
		10	1	00 - 07	Legato Slope	0 - 7

TOTAL SIZE = 17 11 (HEX)

Address	Size	Data Range (HEX)	Parameter Name	Description	Notes
40 00	40	1	00 - 02	Insertion Connect Type	Para, A->B, B->A
	41	1	7F	reserved	
	42	1	7F	reserved	
	43	1	00	reserved	

TOTAL SIZE = 4 04 (HEX)

40 01	00	2	00 - 7F 00 - 7F	Reverb Type MSB Reverb Type LSB	Effect ParameterList 参照
	02	2	00 - 7F 00 - 7F	Reverb Parameter 1 MSB Reverb Parameter 1 LSB	:
	04	2	00 - 7F 00 - 7F	Reverb Parameter 2 MSB Reverb Parameter 2 LSB	:
	06	2	00 - 7F 00 - 7F	Reverb Parameter 3 MSB Reverb Parameter 3 LSB	:
	08	2	00 - 7F	Reverb Parameter 4 MSB Reverb Parameter 4 LSB	:
	0A	2	00 - 7F 00 - 7F	Reverb Parameter 5 MSB Reverb Parameter 5 LSB	:
	0C	2	00 - 7F 00 - 7F	Reverb Parameter 6 MSB Reverb Parameter 6 LSB	:
	0E	2	00 - 7F 00 - 7F	Reverb Parameter 7 MSB Reverb Parameter 7 LSB	:
	10	2	00 - 7F 00 - 7F	Reverb Parameter 8 MSB Reverb Parameter 8 LSB	:
	12	2	00 - 7F 00 - 7F	Reverb Parameter 9 MSB Reverb Parameter 9 LSB	:
	14	2	00 - 7F 00 - 7F	Reverb Parameter 10 MSB Reverb Parameter 10 LSB	:
	16	2	00 - 7F 00 - 7F	Reverb Parameter 11 MSB Reverb Parameter 11 LSB	:
	18	2	00 - 7F 00 - 7F	Reverb Parameter 12 MSB Reverb Parameter 12 LSB	:
	1A	2	00 - 7F 00 - 7F	Reverb Parameter 13 MSB Reverb Parameter 13 LSB	:
	1C	2	00 - 7F 00 - 7F	Reverb Parameter 14 MSB Reverb Parameter 14 LSB	:
	1E	2	00 - 7F 00 - 7F	Reverb Parameter 15 MSB Reverb Parameter 15 LSB	:
	20	2	00 - 7F 00 - 7F	Reverb Parameter 16 MSB Reverb Parameter 16 LSB	:
	22	1	00 - 7F	Reverb Return	--dB - 0dB - +6dB (0 - 96 - 127)
	23	1	01 - 7F	Reverb Pan	L63 - C - R63

TOTAL SIZE = 36 24 (HEX)

40 02	00	2	00 - 7F 00 - 7F	Chorus Type MSB Chorus Type LSB	Effect ParameterList 参照
	02	2	00 - 7F 00 - 7F	Chorus Parameter 1 MSB Chorus Parameter 1 LSB	:
	04	2	00 - 7F 00 - 7F	Chorus Parameter 2 MSB Chorus Parameter 2 LSB	:
	06	2	00 - 7F 00 - 7F	Chorus Parameter 3 MSB Chorus Parameter 3 LSB	:
	08	2	00 - 7F 00 - 7F	Chorus Parameter 4 MSB Chorus Parameter 4 LSB	:
	0A	2	00 - 7F 00 - 7F	Chorus Parameter 5 MSB Chorus Parameter 5 LSB	:
	0C	2	00 - 7F 00 - 7F	Chorus Parameter 6 MSB Chorus Parameter 6 LSB	:
	0E	2	00 - 7F 00 - 7F	Chorus Parameter 7 MSB Chorus Parameter 7 LSB	:
	10	2	00 - 7F 00 - 7F	Chorus Parameter 8 MSB Chorus Parameter 8 LSB	:
	12	2	00 - 7F 00 - 7F	Chorus Parameter 9 MSB Chorus Parameter 9 LSB	:
	14	2	00 - 7F 00 - 7F	Chorus Parameter 10 MSB Chorus Parameter 10 LSB	:
	16	2	00 - 7F 00 - 7F	Chorus Parameter 11 MSB Chorus Parameter 11 LSB	:
	18	2	00 - 7F 00 - 7F	Chorus Parameter 12 MSB Chorus Parameter 12 LSB	:
	1A	2	00 - 7F 00 - 7F	Chorus Parameter 13 MSB Chorus Parameter 13 LSB	:
	1C	2	00 - 7F 00 - 7F	Chorus Parameter 14 MSB Chorus Parameter 14 LSB	:
	1E	2	00 - 7F 00 - 7F	Chorus Parameter 15 MSB Chorus Parameter 15 LSB	:
	20	2	00 - 7F 00 - 7F	Chorus Parameter 16 MSB Chorus Parameter 16 LSB	:
	22	1	00 - 7F	Chorus Return	--dB - 0dB - +6dB (0 - 96 - 127)
	23	1	01 - 7F	Chorus Pan	L63 - C - R63
	24	1	00 - 7F	Send Chorus To Reverb	--dB - 0dB (0 - 127)

TOTAL SIZE = 37 25 (HEX)

40 03	00	2	00 - 7F 00 - 7F	Insertion-A Type MSB Insertion-A Type LSB	Effect Parameter List 参照
	02	2	00 - 7F 00 - 7F	Insertion-A Parameter1 MSB Insertion-A Parameter1 LSB	:
	04	2	00 - 7F 00 - 7F	Insertion-A Parameter2 MSB Insertion-A Parameter2 LSB	:
	06	2	00 - 7F 00 - 7F	Insertion-A Parameter3 MSB Insertion-A Parameter3 LSB	:
	08	2	00 - 7F 00 - 7F	Insertion-A Parameter4 MSB Insertion-A Parameter4 LSB	:
	0A	2	00 - 7F 00 - 7F	Insertion-A Parameter5 MSB Insertion-A Parameter5 LSB	:
	0C	2	00 - 7F 00 - 7F	Insertion-A Parameter6 MSB Insertion-A Parameter6 LSB	:
	0E	2	00 - 7F 00 - 7F	Insertion-A Parameter7 MSB Insertion-A Parameter7 LSB	:
	10	2	00 - 7F 00 - 7F	Insertion-A Parameter8 MSB Insertion-A Parameter8 LSB	:
	12	2	00 - 7F 00 - 7F	Insertion-A Parameter9 MSB Insertion-A Parameter9 LSB	:
	14	2	00 - 7F 00 - 7F	Insertion-A Parameter10 MSB Insertion-A Parameter10 LSB	:
	16	2	00 - 7F 00 - 7F	Insertion-A Parameter11 MSB Insertion-A Parameter11 LSB	:
	18	2	00 - 7F 00 - 7F	Insertion-A Parameter12 MSB Insertion-A Parameter12 LSB	:
	1A	2	00 - 7F 00 - 7F	Insertion-A Parameter13 MSB Insertion-A Parameter13 LSB	:
	1C	2	00 - 7F 00 - 7F	Insertion-A Parameter14 MSB Insertion-A Parameter14 LSB	:
	1E	2	00 - 7F 00 - 7F	Insertion-A Parameter15 MSB Insertion-A Parameter15 LSB	:
	20	2	00 - 7F 00 - 7F	Insertion-A Parameter16 MSB Insertion-A Parameter16 LSB	:

TOTAL SIZE = 34 22 (HEX)

40 04	00	2	00 - 7F 00 - 7F	Insertion-B Type MSB Insertion-B Type LSB	Effect Parameter List 参照
	02	2	00 - 7F 00 - 7F	Insertion-B Parameter 1 MSB Insertion-B Parameter 1 LSB	:
	04	2	00 - 7F 00 - 7F	Insertion-B Parameter 2 MSB Insertion-B Parameter 2 LSB	:
	06	2	00 - 7F 00 - 7F	Insertion-B Parameter 3 MSB Insertion-B Parameter 3 LSB	:
	08	2	00 - 7F 00 - 7F	Insertion-B Parameter 4 MSB Insertion-B Parameter 4 LSB	:
	0A	2	00 - 7F 00 - 7F	Insertion-B Parameter 5 MSB Insertion-B Parameter 5 LSB	:
	0C	2	00 - 7F 00 - 7F	Insertion-B Parameter 6 MSB Insertion-B Parameter 6 LSB	:
	0E	2	00 - 7F 00 - 7F	Insertion-B Parameter 7 MSB Insertion-B Parameter 7 LSB	:
	10	2	00 - 7F 00 - 7F	Insertion-B Parameter 8 MSB Insertion-B Parameter 8 LSB	:
	12	2	00 - 7F 00 - 7F	Insertion-B Parameter 9 MSB Insertion-B Parameter 9 LSB	:
	14	2	00 - 7F 00 - 7F	Insertion-B Parameter 10 MSB Insertion-B Parameter 10 LSB	:
	16	2	00 - 7F 00 - 7F	Insertion-B Parameter 11 MSB Insertion-B Parameter 11 LSB	:
	18	2	00 - 7F 00 - 7F	Insertion-B Parameter 12 MSB Insertion-B Parameter 12 LSB	:
	1A	2	00 - 7F 00 - 7F	Insertion-B Parameter 13 MSB Insertion-B Parameter 13 LSB	:
	1C	2	00 - 7F 00 - 7F	Insertion-B Parameter 14 MSB Insertion-B Parameter 14 LSB	:
	1E	2	00 - 7F 00 - 7F	Insertion-B Parameter 15 MSB Insertion-B Parameter 15 LSB	:
	20	2	00 - 7F 00 - 7F	Insertion-B Parameter 16 MSB Insertion-B Parameter 16 LSB	:

TOTAL SIZE = 34 22 (HEX)

Address	Size	Data Range (HEX)	Parameter Name	Description	Notes
40 05 00	1	00-0C	Controller Set1 Source	0:PB, 1:MW, 3:AT, 4:FC, 5:FS, 6:RB, 7:BC, 8:AS1, 9:AS2, 12:FC2	
	01	2 00 00-44	Controller Set1 Destination MSB Controller Set1 Destination LSB	0-68	
	03	1 00-7F	Controller Set1 Depth	-64 - +63	
	04	1	reserved		
	05	1 00-0C	Controller Set2 Source	0:PB, 1:MW, 3:AT, 4:FC, 5:FS, 6:RB, 7:BC, 8:AS1, 9:AS2, 12:FC2	
	06	2 00 00-44	Controller Set2 Destination MSB Controller Set2 Destination LSB	0-68	
	08	1 00-7F	Controller Set2 Depth	-64 - +63	
	09	1	reserved		
	0A	1 00-0C	Controller Set3 Source	0:PB, 1:MW, 3:AT, 4:FC, 5:FS, 6:RB, 7:BC, 8:AS1, 9:AS2, 12:FC2	
	0B	2 00 00-44	Controller Set3 Destination MSB Controller Set3 Destination LSB	0-68	
	0D	1 00-7F	Controller Set3 Depth	-64 - +63	
	0E	1	reserved		
	0F	1 00-0C	Controller Set4 Source	0:PB, 1:MW, 3:AT, 4:FC, 5:FS, 6:RB, 7:BC, 8:AS1, 9:AS2, 12:FC2	
	10	2 00 00-44	Controller Set4 Destination MSB Controller Set4 Destination LSB	0-68	
	12	1 00-7F	Controller Set4 Depth	-64 - +63	
	13	1	reserved		
	14	1 00-0C	Controller Set5 Source	0:PB, 1:MW, 3:AT, 4:FC, 5:FS, 6:RB, 7:BC, 8:AS1, 9:AS2, 12:FC2	
	15	2 00 00-44	Controller Set5 Destination MSB Controller Set5 Destination LSB	0-68	
	17	1 00-7F	Controller Set5 Depth	-64 - +63	
	18	1	reserved		
	19	1 00-0C	Controller Set6 Source	0:PB, 1:MW, 3:AT, 4:FC, 5:FS, 6:RB, 7:BC, 8:AS1, 9:AS2, 12:FC2	
	1A	2 00 00-44	Controller Set6 Destination MSB Controller Set6 Destination LSB	0-68	
	1C	1 00-7F	Controller Set6 Depth	-64 - +63	
	1D	1	reserved		

TOTAL SIZE = 30 1E (HEX)

40 06 00	1	00-05	LFO Phase	0, 90, 120, 180, 240, 270	
	01	1 00-0C	LFO Wave	tri, tri+, sawup, sawdwn, squ1/4, squ1/3, squ, squ2/3, squ3/4, trpzd, S/H1, S/H2, user	
	02	1 00-3F	LFO Speed	0-63 (Tempo Sync Off 時はこちらが有効)	
	03	1 05-15	LFO TEMPO SPEED	5-21 (Tempo Sync On 時はこちらが有効)	16th, 8th/3, 16th, 8th, 4th/3, 8th, 4th, 2th/3, 4th, 2nd, Whole/3, 2nd., 4thX4, 4thX5, 4thX6, 4thX7, 4thX8
	04	1 00-01	LFO TEMPO SYNC	OFF, ON	
	05	1 00-7F	LFO Delay Time	0-127	
	06	1 00-7F	LFO Fade In Time	0-127	
	07	1 00-7F	LFO Hold Time	0-127	
	08	1 00-7F	LFO Fade Out Time	0-127	
	09	1 00-02	LFO Key On Reset	off, each-on, 1st-on	
	0A	1 00-05	LFO Box1 Destination	AMD, PMD, FMD, RESO, PAN, ELEMENT LFO SPEED	
	0B	1 00-7F	LFO Box1 Depth	0-127	
	0C	1	reserved		
	0D	1 00-05	LFO Box2 Destination	AMD, PMD, FMD, RESO, PAN, ELEMENT LFO SPEED	
	0E	1 00-7F	LFO Box2 Depth	0-127	
	0F	1	reserved		
	10	1 00-05	LFO Box3 Destination	AMD, PMD, FMD, RESO, PAN, ELEMENT LFO SPEED	
	11	1 00-7F	LFO Box3 Depth	0-127	
	12	1	reserved		
	13	1 00-06	USER WAVE TOTAL STEP	2, 3, 4, 6, 8, 12, 16	
	14	1 00-03	USER WAVE SLOPE	OFF, UP, DOWN, UP&DOWN	
	15	1 00-7F	USER WAVE STEP VALUE1	0-127	
	16	1 00-7F	USER WAVE STEP VALUE2	0-127	
	17	1 00-7F	USER WAVE STEP VALUE3	0-127	
	18	1 00-7F	USER WAVE STEP VALUE4	0-127	
	19	1 00-7F	USER WAVE STEP VALUE5	0-127	
	1A	1 00-7F	USER WAVE STEP VALUE6	0-127	
	1B	1 00-7F	USER WAVE STEP VALUE7	0-127	

	1C	1 00-7F	USER WAVE STEP VALUE8	0-127	
	1D	1 00-7F	USER WAVE STEP VALUE9	0-127	
	1E	1 00-7F	USER WAVE STEP VALUE10	0-127	
	1F	1 00-7F	USER WAVE STEP VALUE11	0-127	
	20	1 00-7F	USER WAVE STEP VALUE12	0-127	
	21	1 00-7F	USER WAVE STEP VALUE13	0-127	
	22	1 00-7F	USER WAVE STEP VALUE14	0-127	
	23	1 00-7F	USER WAVE STEP VALUE15	0-127	
	24	1 00-7F	USER WAVE STEP VALUE16	0-127	
	25	1 00-7F	LFO RANDOM SPEED DEPTH	0-127	

TOTAL SIZE = 38 26 (HEX)

MIDI PARAMETER CHANGE TABLE (NORMAL VOICE ELEMENT)

Address	Size	Data Range (HEX)	Parameter Name	Description	Notes
41 ee 00	1	00-01	ELEMENT ASSIGN	0: OFF, 1: ON	
	01	1 00-01	WAVE SELECT	0: PRESET, 1: USER WAVE,	
	02	1	reserved		
	03	2 00-7F 00-7F	Wave Number MSB Wave Number LSB	1-1859 (Userは 1-1024 で内部値は0~) 1st bit6-0 → bit13-7	
	05	1	reserved		
	06	1	reserved		
	07	1	reserved		
	08	1 01-7F	Pan	L63-C-R63	
	09	1 00-7F	Random Pan Depth	0-127	
	0A	1 00-7F	Alternate Pan Depth	L64-0-R63	
	0B	1 00-7F	Scaling Pan Depth	-64 - +63	
	0C	1 00-7F	Note Limit Low	0-127	
	0D	1 00-7F	Note Limit High	0-127	
	0E	1 01-7F	Velocity Limit Low	1-127	
	0F	1 01-7F	Velocity Limit High	1-127	
	10	1 00-7F	VELOCITY CROSS FADE	0-127	
	11	1 00-7F	Key On Delay	0-127 (Tempo Sync Off 時はこちらが有効)	
	12	1 00-01	Key On Delay Tempo Sync	0: OFF, 1: ON	
	13	1	reserved		
	14	1	reserved		
	15	1	reserved		
	16	1 00-02	Insertion Effect Switch	thru, insA, insB	
	17	1	reserved		
	18	2 00-00 00-3F	CONTROL BOX SW	BIT0-6: RESERVE BIT0-5: BOX1-BOX6, BIT6: RESERVE	
	1A	2 00-00 00-07	LFO BOX SW	BIT0-6: RESERVE BIT0-2: BOX1-BOX3, BIT3-6: RESERVE	
	1C	1 05-15	Key On Delay Tempo	5-21 (Tempo Sync On 時はこちらが有効) 16th, 8th/3, 16th, 8th, 4th/3, 8th, 4th, 2th/3, 4th, 2nd, Whole/3, 2nd., 4thX4, 4thX5, 4thX6, 4thX7, 4thX8	

TOTAL SIZE = 29 1D (HEX)

Address	Size	Data Range (HEX)	Parameter Name	Description	Notes		
41	ee	20	1	00-7F	Element Level	0 - 127	
		21	1	00-7F	Level Velocity Sensitivity	-64 - +63	
		22	1	00-04	LEVEL SENS VELOCITY CURVE	00 - 04	
		23	1	00	reserved		
		24	1	00-7F	AEG Attack Time	0 - 127	
		25	1	00-7F	AEG Decay1 Time	0 - 127	
		26	1	00-7F	AEG Decay2 Time	0 - 127	
		27	1	00-7F	AEG Release Time	0 - 127	
		28	1	00-7F	AEG Init Level	0 - 127	
		29	1	00-7F	AEG Attack Level	0 - 127	
		2A	1	00-7F	AEG Decay1 Level	0 - 127	
		2B	1	00-7F	AEG Decay2 Level	0 - 127	
		2C	1	00	reserved		
		2D	1	00-04	AEG Time Velocity Segment	ATK, ATK+DCY, DCY, ATK+RLS, ALL	
		2E	1	00-7F	AEG Time Velocity Sensitivity	-64 - +63	
		2F	1	00-7F	Level Key Follow Sensitivity	-200% - +200%	
		30	1	00-7C	Level Scaling Break Point 1	C-2 - E8	BP1<BP2<BP3<BP4
		31	1	01-7D	Level Scaling Break Point 2	C#-2 - F8	BP1<BP2<BP3<BP4
		32	1	02-7E	Level Scaling Break Point 3	D-2 - F#8	BP1<BP2<BP3<BP4
		33	1	03-7F	Level Scaling Break Point 4	D#-2 - G8	BP1<BP2<BP3<BP4
		34	2	00-01 00-7F	Level Scaling Offset 1	-128 - +127	
		36	2	00-01 00-7F	Level Scaling Offset 2	-128 - +127	
		38	2	00-01 00-7F	Level Scaling Offset 3	-128 - +127	
		3A	2	00-01 00-7F	Level Scaling Offset 4	-128 - +127	
		3C	1	00-7F	AEG Time Key Follow Sensitivity	-64 - +63	
		3D	1	00-7F	AEG Time Key Follow Center Note	C-2 - G8	

TOTAL SIZE = 30 1E (HEX)

42	ee	00	1	10-70	Coarse Tune	-48 - +48	
		01	1	00-7F	Fine Tune	-64 - +63	
		02	1	00-7F	VELOCITY -> PITCH SENSITIVITY	-64 - +63	
		03	1	00	reserved		
		04	1	00-7F	Random Pitch Depth	0 - 127	
		05	1	00-7F	PEG Hold Time	0 - 127	
		06	1	00-7F	PEG Attack Time	0 - 127	
		07	1	00-7F	PEG Decay1 Time	0 - 127	
		08	1	00-7F	PEG Decay2 Time	0 - 127	
		09	1	00-7F	PEG Release Time	0 - 127	
		0A	2	00-01 00-7F	PEG Hold Level	-128 - +127 (-4800 - +4800 [cent])	
		0C	2	00-01 00-7F	PEG Attack Level	-128 - +127 (-4800 - +4800 [cent])	
		0E	2	00-01 00-7F	PEG Decay1 Level	-128 - +127 (-4800 - +4800 [cent])	
		10	2	00-01 00-7F	PEG Decay2 Level	-128 - +127 (-4800 - +4800 [cent])	
		12	2	00-01 00-7F	PEG Release Level	-128 - +127 (-4800 - +4800 [cent])	
		14	1	00-7F	PEG Depth	-64 - +63	
		15	1	00-04	PEG Time Velocity Segment	ATK, ATK+DCY, DCY, ATK+RLS, ALL	
		16	1	00-7F	PEG Time Velocity Sensitivity	-64 - +63	
		17	1	00-7F	PEG Level Velocity Sensitivity	-64 - +63	
		18	1	00-04	PEG LEVEL SENS VELOCITY CURVE	00 - 04	
		19	1	00-7F	Pitch Key Follow Sensitivity	-200% - +200%	
		1A	1	00-7F	Pitch Key Follow Center Note	C-2 - G8	
		1B	1	00-7F	PEG Time Key Follow Sensitivity	-64 - +63	
		1C	1	00-7F	PEG Time Key Follow Center Note	C-2 - G8	
		1D	1	00-7F	PITCH FINE SCALING SENSITIVITY	-64 - +63	

TOTAL = 30 1E (HEX)

43	ee	00	1	00-15	Filter Type	0: LPF24D, 1: LPF24A, 2: LPF18, 3: LPF18s, 4: LPF12, 5: LPF6, 6: HPF24D, 7: HPF12, 8: BPF12D, 10: BPFw, 11: BPF6, 12: BEF12, 13: BEF6, 14: Dual LPF, 15: Dual HPF, 16: Dual BPF, 17: Dual BEF, 19: LPF12+BPF6, 21: THRU	
		01	2	00-01 00-7F	Filter Cutoff Frequency	0 - 255	
		03	1	00-7F	Filter Cutoff Velocity Sensitivity	-64 - +63	

		04	1		reserved		
		05	1	00-7F	Filter Resonance/Width/Band	0 - 127	
		06	1	00-7F	Filter Resonance Velocity Sensitivity	-64 - +63	
		07	2	00-01 00-7F	HPF Cutoff Frequency	0 - 255	
		09	1	40	reserved		
		0A	2	00-01 00-7F	DISTANCE	0 - 255 (DualのFilterのときに有効)	
		0C	2	00-01 00-7F	Filter Gain	0 - 255	
		0E	1	00-7F	FEG Hold Time	0 - 127	
		0F	1	00-7F	FEG Attack Time	0 - 127	
		10	1	00-7F	FEG Decay1 Time	0 - 127	
		11	1	00-7F	FEG Decay2 Time	0 - 127	
		12	1	00-7F	FEG Release Time	0 - 127	
		13	2	00-01 00-7F	FEG Hold Level	-128 - +127 (-9600 - +9600 [cent])	
		15	2	00-01 00-7F	FEG Attack Level	-128 - +127 (-9600 - +9600 [cent])	
		17	2	00-01 00-7F	FEG Decay1 Level	-128 - +127 (-9600 - +9600 [cent])	
		19	2	00-01 00-7F	FEG Decay2 Level	-128 - +127 (-9600 - +9600 [cent])	
		1B	2	00-01 00-7F	FEG Release Level	-128 - +127 (-9600 - +9600 [cent])	
		1D	1	00-7F	FEG Depth	-64 - +63	
		1E	1	00-04	FEG Time Velocity Segment	ATK, ATK+DCY, DCY, ATK+RLS, ALL	
		1F	1	00-7F	FEG Time Velocity Sensitivity	-64 - +63	
		20	1	00-7F	FEG Level Velocity Sensitivity	-64 - +63	
		21	1	00-04	FEG LEVEL VELOCITY CURVE	00 - 04	
		22	1	00-7F	Filter Cutoff Key Follow Sensitivity	-200% - +200%	
		23	1	00-7C	Filter Cutoff Scaling Break Point 1	C-2 - E8	BP1<BP2<BP3<BP4
		24	1	01-7D	Filter Cutoff Scaling Break Point 2	C#-2 - F8	BP1<BP2<BP3<BP4
		25	1	02-7E	Filter Cutoff Scaling Break Point 3	D-2 - F#8	BP1<BP2<BP3<BP4
		26	1	03-7F	Filter Cutoff Scaling Break Point 4	D#-2 - G8	BP1<BP2<BP3<BP4
		27	2	00-01 00-7F	Filter Cutoff Scaling Offset 1	-128 - +127	
		29	2	00-01 00-7F	Filter Cutoff Scaling Offset 2	-128 - +127	
		2B	2	00-01 00-7F	Filter Cutoff Scaling Offset 3	-128 - +127	
		2D	2	00-01 00-7F	Filter Cutoff Scaling Offset 4	-128 - +127	
		2F	1	00-7F	HPF Cutoff Key Follow Sensitivity	-200% - +200%	
		30	1	00-7F	FEG Time Key Follow Sensitivity	-64 - +63	
		31	1	00-7F	FEG Time Key Follow Center Note	C-2 - G8	

TOTAL SIZE = 50 32 (HEX)

44	ee	00	1	00-05	EQ Type	EQ L/H, P/EQ, Boost6, Boost12, Boost18, thru	
		01	1	00-1F	EQ Resonance	0 - 31	
		02	2	00-01 00-7F	EQ 1 Frequency	EQ L/H: 46-182, P/EQ: 83-251	
		04	1	20-60	EQ 1 Gain	-32 - +32	
		05	2	00-01 00-7F	EQ 2 Frequency	EQ L/H: 131-241	
		07	1	20-60	EQ 2 Gain	-32 - +32	

TOTAL SIZE = 8 08 (HEX)

44	ee	40	1	00-02	LFO Wave	saw, tri, squ	
		41	1	00-01	LFO Key On Sync	off, on	
		42	1	00-7F	LFO KEY ON DELAY TIME	0 - 127	
		43	1	00-3F	LFO Speed	0 - 63	
		44	1	00-7F	LFO AMod Depth	0 - 127	
		45	1	00-7F	LFO PMod Depth	0 - 127	
		46	1	00-7F	LFO FMod Depth	0 - 127	
		47	1	00-7F	LFO FADE IN TIME	0 - 127	

TOTAL SIZE = 8 08 (HEX)

44	ee	50	1	00-05	COMMON LFO PHASE OFFSET	+0, +90, +120, +180, +240, +270	
		51	1	00-7F	COMMON LFO BOX1 DEPTH RATIO	0 - 127	
		52	1	00-7F	COMMON LFO BOX2 DEPTH RATIO	0 - 127	
		53	1	00-7F	COMMON LFO BOX3 DEPTH RATIO	0 - 127	

TOTAL SIZE = 4 04 (HEX)

<付表 9>

MIDI PARAMETER CHANGE TABLE (DRUM VOICE COMMON)

Address	Size	Data Range (HEX)	Parameter Name	Description	Notes
46 70 00 1	20	7E	Voice Name1	32 - 126 (ASCII)	
	01 1	20 - 7E	Voice Name2	32 - 126 (ASCII)	
	02 1	20 - 7E	Voice Name3	32 - 126 (ASCII)	
	03 1	20 - 7E	Voice Name4	32 - 126 (ASCII)	
	04 1	20 - 7E	Voice Name5	32 - 126 (ASCII)	
	05 1	20 - 7E	Voice Name6	32 - 126 (ASCII)	
	06 1	20 - 7E	Voice Name7	32 - 126 (ASCII)	
	07 1	20 - 7E	Voice Name8	32 - 126 (ASCII)	
	08 1	20 - 7E	Voice Name9	32 - 126 (ASCII)	
	09 1	20 - 7E	Voice Name10	32 - 126 (ASCII)	
	0A 1		reserved		
	0B 1		reserved		
	0C 1	00 - 10	Voice Category (Main)	0 - 16 (-- Co)	Ap, Kb, Or, Gt, Ba, St, Br, Rp, Ld, Pd, Sc, Cp, Dr, Se, Me, Co
	0D 1	00 - 03	Voice Category (Sub)	0 - 3 (-- Sub1 - Sub3)	メインカテゴリによる
	0E 1		reserved		
	0F 1		reserved		
	10 1		reserved		
	11 1		reserved		
	12 1		reserved		
46 70 13 1			reserved		
	14 2	0000 - 20FF	ARP Type MSB ARP Type LSB	0 - 1786: Preset, 8192 - 8447: User	
	16 1	00 - 01	ARP Switch	off, on	
	17 1	00 - 02	ARP Hold	sync-off, off, on	
	18 1	00 - 06	ARP Unit Multiplay	50%, 66%, 75%, 100%, 133%, 150%, 200%	
	19 1	00 - 7F	ARP Note Limit Low	C-2 - G8	
	1A 1	00 - 7F	ARP Note Limit High	C-2 - G8	
	1B 1	01 - 7F	ARP Velocity Limit Low	1 - 127	
	1C 1	01 - 7F	ARP Velocity Limit High	1 - 127	
	1D 1	00 - 04	ARP Key Mode	sort, thru, direct, sort+direct, thru+direct	
	1E 1	00 - 01	ARP Vel Mode	original, thru	
	1F 1	00 - 01	ARP Change Timing	realtime, measure	
	20 1	00-06	ARP Quantize Value	32th, 16th Triplet, 16th, 8th Triplet, 8th, 4th Triplet, 4th	
	21 1	00-64	ARP Quantize Strength	0 - 100%	
	22 2	0000 - 00C8	ARP Velocity Rate MSB ARP Velocity Rate LSB	0 - 200%	
	24 2	0000 - 00C8	ARP Gate Time Rate MSB ARP Gate Time Rate LSB	0 - 200%	
	26 2	0008 - 00F8	ARP Swing MSB ARP Swing LSB	-120 - 0 - +120	
	28 2	0001 - 012C	ARP Tempo MSB ARP Tempo LSB	1 - 300	
	2A 2	0008 - 00F8	ARP SF1 Assign Type MSB ARP SF1 Assign Type LSB	0 - 1786: Preset, 8192 - 8447: User, 16383: No Type	
	2C 2	0008 - 00F8	ARP SF2 Assign Type MSB ARP SF2 Assign Type LSB	0 - 1786: Preset, 8192 - 8447: User, 16383: No Type	
	2E 2	0008 - 00F8	ARP SF3 Assign Type MSB ARP SF3 Assign Type LSB	0 - 1786: Preset, 8192 - 8447: User, 16383: No Type	
	30 2	00 - 7F 00 - 7F	ARP SF4 Assign Type MSB ARP SF4 Assign Type LSB	0 - 1786: Preset, 8192 - 8447: User, 16383: No Type	
	32 2	00 - 7F 00 - 7F	ARP SF5 Assign Type MSB ARP SF5 Assign Type LSB	0 - 1786: Preset, 8192 - 8447: User, 16383: No Type	
46 70 34 1		00 - 05	Knob Function Select	0=Pan&Send, 1= Tone, 2=Assign, 3=MeqOffset, 4=MasterEffect, 5=ARP FX	
	35 1	01 - 7F	Pan	L63 - C - R63	
	36 1		reserved		
	37 1	00 - 7F	QED Decay Time	-64 - +63	
	38 1		reserved		
	39 1		reserved		
	3A 1		reserved		
	3B 1		reserved		
	3C 1		reserved		
	3D 1		reserved		
	3E 1	00 - 7F	KnobA	-64 - +63	
	3F 1	00 - 7F	KnobB	-64 - +63	
	40 1		reserved		
	41 1	00 - 7F	EQ Low Gain	-64 - +63	
	42 1	00 - 7F	EQ Low Mid Gain	-64 - +63	

Address	Size	Data Range (HEX)	Parameter Name	Description	Notes
	43 1	00 - 7F	EQ High Mid Gain	-64 - +63	
	44 1	00 - 7F	EQ High Gain	-64 - +63	
	45 1	00 - 7F	Assign1	-64 - +63	
	46 1	00 - 7F	Assign2	-64 - +63	
	47 1	00 - 7F	Cutoff Frequency	-64 - +63	
	48 1	00 - 7F	Resonance	-64 - +63	
	49 1	00 - 7F	Attack Time	-64 - +63	
	4A 1		reserved		
	4B 1		reserved		
	4C 1		reserved		
	4D 1		reserved		
	4E 1		reserved		
	4F 1		reserved		
	50 1		reserved		
	51 1		reserved		

TOTAL SIZE = 82 52 (HEX)

46 00 00 1		00 - 7F	Volume	0 - 127	
	01 1		reserved		
	02 1	10 - 58	QED Pitch Bend Range Upper	-48 - +24 [semitones]	
	03 1	10 - 58	QED Pitch Bend Range Lower	-48 - +24 [semitones]	
	04 1	00 - 7F	Reverb Send	--dB - 0dB	
	05 1	00 - 7F	Chorus Send	--dB - 0dB	
	06 1		reserved		
	07 1		reserved		

TOTAL SIZE = 8 08 (HEX)

46 00 40 1		00 - 02	Insertion Connect Type	Para, A->B, B->A	
	41 1	00 - 7F	Ins-EF Reverb Send Level	0 - 127	
	42 1	00 - 7F	Ins-EF Chorus Send Level	0 - 127	
	43 1		reserved		

TOTAL SIZE = 4 04 (HEX)

46 01 00 2		00 - 7F 00 - 7F	Reverb Type MSB Reverb Type LSB	Effect ParameterList 参照	
	02 2	00 - 7F 00 - 7F	Reverb Parameter 1 MSB Reverb Parameter 1 LSB	:	
	04 2	00 - 7F 00 - 7F	Reverb Parameter 2 MSB Reverb Parameter 2 LSB	:	
	06 2	00 - 7F 00 - 7F	Reverb Parameter 3 MSB Reverb Parameter 3 LSB	:	
	08 2	00 - 7F 00 - 7F	Reverb Parameter 4 MSB Reverb Parameter 4 LSB	:	
	0A 2	00 - 7F 00 - 7F	Reverb Parameter 5 MSB Reverb Parameter 5 LSB	:	
	0C 2	00 - 7F 00 - 7F	Reverb Parameter 6 MSB Reverb Parameter 6 LSB	:	
	0E 2	00 - 7F 00 - 7F	Reverb Parameter 7 MSB Reverb Parameter 7 LSB	:	
	10 2	00 - 7F 00 - 7F	Reverb Parameter 8 MSB Reverb Parameter 8 LSB	:	
	12 2	00 - 7F 00 - 7F	Reverb Parameter 9 MSB Reverb Parameter 9 LSB	:	
	14 2	00 - 7F 00 - 7F	Reverb Parameter 10 MSB Reverb Parameter 10 LSB	:	
	16 2	00 - 7F 00 - 7F	Reverb Parameter 11 MSB Reverb Parameter 11 LSB	:	
	18 2	00 - 7F 00 - 7F	Reverb Parameter 12 MSB Reverb Parameter 12 LSB	:	
	1A 2	00 - 7F 00 - 7F	Reverb Parameter 13 MSB Reverb Parameter 13 LSB	:	
	1C 2	00 - 7F 00 - 7F	Reverb Parameter 14 MSB Reverb Parameter 14 LSB	:	
	1E 2	00 - 7F 00 - 7F	Reverb Parameter 15 MSB Reverb Parameter 15 LSB	:	
	20 2	00 - 7F 00 - 7F	Reverb Parameter 16 MSB Reverb Parameter 16 LSB	:	
	22 1	00 - 7F	Reverb Return	--dB - 0dB - +6dB (0 - 96 - 127)	
	23 1	01 - 7F	Reverb Pan	L63 - C - R63	

TOTAL SIZE = 36 24 (HEX)

Address	Size	Data Range (HEX)	Parameter Name	Description	Notes
46 02 00	2	00 - 7F 00 - 7F	Chorus Type MSB Chorus Type LSB	Effect ParameterList 参照	
	02	2	00 - 7F 00 - 7F	Chorus Parameter 1 MSB Chorus Parameter 1 LSB	:
	04	2	00 - 7F 00 - 7F	Chorus Parameter 2 MSB Chorus Parameter 2 LSB	:
	06	2	00 - 7F 00 - 7F	Chorus Parameter 3 MSB Chorus Parameter 3 LSB	:
	08	2	00 - 7F 00 - 7F	Chorus Parameter 4 MSB Chorus Parameter 4 LSB	:
	0A	2	00 - 7F 00 - 7F	Chorus Parameter 5 MSB Chorus Parameter 5 LSB	:
	0C	2	00 - 7F 00 - 7F	Chorus Parameter 6 MSB Chorus Parameter 6 LSB	:
	0E	2	00 - 7F 00 - 7F	Chorus Parameter 7 MSB Chorus Parameter 7 LSB	:
	10	2	00 - 7F 00 - 7F	Chorus Parameter 8 MSB Chorus Parameter 8 LSB	:
	12	2	00 - 7F 00 - 7F	Chorus Parameter 9 MSB Chorus Parameter 9 LSB	:
	14	2	00 - 7F 00 - 7F	Chorus Parameter 10 MSB Chorus Parameter 10 LSB	:
	16	2	00 - 7F 00 - 7F	Chorus Parameter 11 MSB Chorus Parameter 11 LSB	:
	18	2	00 - 7F 00 - 7F	Chorus Parameter 12 MSB Chorus Parameter 12 LSB	:
	1A	2	00 - 7F 00 - 7F	Chorus Parameter 13 MSB Chorus Parameter 13 LSB	:
	1C	2	00 - 7F 00 - 7F	Chorus Parameter 14 MSB Chorus Parameter 14 LSB	:
	1E	2	00 - 7F 00 - 7F	Chorus Parameter 15 MSB Chorus Parameter 15 LSB	:
	20	2	00 - 7F 00 - 7F	Chorus Parameter 16 MSB Chorus Parameter 16 LSB	:
	22	1	00 - 7F	Chorus Return	--dB - 0dB - +6dB (0 - 96 - 127)
	23	1	01 - 7F	Chorus Pan	L63 - C - R63
	24	1	00 - 7F	Send Chorus To Reverb	--dB - 0dB (0 - 127)

TOTAL SIZE = 37 25 (HEX)

Address	Size	Data Range (HEX)	Parameter Name	Description	Notes
46 03 00	2	00 - 7F 00 - 7F	Insertion-A Type MSB Insertion-A Type LSB	Effect ParameterList 参照	
	02	2	00 - 7F 00 - 7F	Insertion-A Parameter1 MSB Insertion-A Parameter1 LSB	:
	04	2	00 - 7F 00 - 7F	Insertion-A Parameter2 MSB Insertion-A Parameter2 LSB	:
	06	2	00 - 7F 00 - 7F	Insertion-A Parameter3 MSB Insertion-A Parameter3 LSB	:
	08	2	00 - 7F 00 - 7F	Insertion-A Parameter4 MSB Insertion-A Parameter4 LSB	:
	0A	2	00 - 7F 00 - 7F	Insertion-A Parameter5 MSB Insertion-A Parameter5 LSB	:
	0C	2	00 - 7F 00 - 7F	Insertion-A Parameter6 MSB Insertion-A Parameter6 LSB	:
	0E	2	00 - 7F 00 - 7F	Insertion-A Parameter7 MSB Insertion-A Parameter7 LSB	:
	10	2	00 - 7F 00 - 7F	Insertion-A Parameter8 MSB Insertion-A Parameter8 LSB	:
	12	2	00 - 7F 00 - 7F	Insertion-A Parameter9 MSB Insertion-A Parameter9 LSB	:
	14	2	00 - 7F 00 - 7F	Insertion-A Parameter10 MSB Insertion-A Parameter10 LSB	:
	16	2	00 - 7F 00 - 7F	Insertion-A Parameter11 MSB Insertion-A Parameter11 LSB	:
	18	2	00 - 7F 00 - 7F	Insertion-A Parameter12 MSB Insertion-A Parameter12 LSB	:
	1A	2	00 - 7F 00 - 7F	Insertion-A Parameter13 MSB Insertion-A Parameter13 LSB	:
	1C	2	00 - 7F 00 - 7F	Insertion-A Parameter14 MSB Insertion-A Parameter14 LSB	:
	1E	2	00 - 7F 00 - 7F	Insertion-A Parameter15 MSB Insertion-A Parameter15 LSB	:
	20	2	00 - 7F 00 - 7F	Insertion-A Parameter16 MSB Insertion-A Parameter16 LSB	:

TOTAL SIZE = 34 22 (HEX)

Address	Size	Data Range (HEX)	Parameter Name	Description	Notes
46 05 00	1	00 - 0C	Controller Set1 Source	0: PB, 1: MW, 3: AT, 4: FC, 5: FS, 6: RB, 7: BC, 8: AS1, 9: AS2, 12: FC2	
	01	2	00 00 - 23	Controller Set1 Destination MSB Controller Set1 Destination LSB	0 - 35
	03	1	00 - 7F	Controller Set1 Depth	-64 - +63
	04	1		reserved	
	05	1	00 - 0C	Controller Set2 Source	0: PB, 1: MW, 3: AT, 4: FC, 5: FS, 6: RB, 7: BC, 8: AS1, 9: AS2, 12: FC2
	06	2	00 00 - 23	Controller Set2 Destination MSB Controller Set2 Destination LSB	0 - 35
	08	1	00 - 7F	Controller Set2 Depth	-64 - +63

Address	Size	Data Range (HEX)	Parameter Name	Description	Notes
	09	1		reserved	
	0A	1	00 - 0C	Controller Set3 Source	0: PB, 1: MW, 3: AT, 4: FC, 5: FS, 6: RB, 7: BC, 8: AS1, 9: AS2, 12: FC2
	0B	2	00 00 - 23	Controller Set3 Destination MSB Controller Set3 Destination LSB	0 - 35
	0D	1	00 - 7F	Controller Set3 Depth	-64 - +63
	0E	1		reserved	
	0F	1	00 - 0C	Controller Set4 Source	0: PB, 1: MW, 3: AT, 4: FC, 5: FS, 6: RB, 7: BC, 8: AS1, 9: AS2, 12: FC2
	10	2	00 00 - 23	Controller Set4 Destination MSB Controller Set4 Destination LSB	0 - 35
	12	1	00 - 7F	Controller Set4 Depth	-64 - +63
	13	1		reserved	
	14	1	00 - 0C	Controller Set5 Source	0: PB, 1: MW, 3: AT, 4: FC, 5: FS, 6: RB, 7: BC, 8: AS1, 9: AS2, 12: FC2
	15	2	00 00 - 23	Controller Set5 Destination MSB Controller Set5 Destination LSB	0 - 35
	17	1	00 - 7F	Controller Set5 Depth	-64 - +63
	18	1		reserved	
	19	1	00 - 0C	Controller Set6 Source	0: PB, 1: MW, 3: AT, 4: FC, 5: FS, 6: RB, 7: BC, 8: AS1, 9: AS2, 12: FC2
	1A	2	00 00 - 23	Controller Set6 Destination MSB Controller Set6 Destination LSB	0 - 35
	1C	1	00 - 7F	Controller Set6 Depth	-64 - +63
	1D	1		reserved	

TOTAL SIZE = 30 1E (HEX)

MIDI PARAMETER CHANGE TABLE (DRUM VOICE KEY)

Address	Size	Data Range (HEX)	Parameter Name	Description	Notes
47 ee 00	1	00 - 01	Element Assign	off, on	
	01	1	00 - 02	Wave Type	0: PresetWave, 1: Voice, 2: UserWave,
	02	1		reserved	
	03	1	00 - 01	Receive Note Off	off, on
	04	1	00 - 01	Assign Mode	single, multi
	05	1	00 - 7F	Alternate Group	0: off, 1 - 127
	06	2	00 - 7F 00 - 7F	Wave Number MSB Wave Number LSB	1st bit6-0 → bit13-7 (Userは、1 024) 2nd bit6-0 → bit6-0
	08	3	00 - 7F 00 - 7F 00 - 7F	Voice Bank Number MSB Voice Bank Number LSB Voice Number	0 - 127 0 - 127 0 - 127
	0B	1	01 - 7F	Pan	L63 - C - R63
	0C	1	00 - 7F	Random Pan Depth	0 - 127
	0D	1	00 - 7F	Alternate Pan Depth	L64 - 0 - R63
	0E	1	00 - 7F	Reverb Send Level	0 - 127
	0F	1	00 - 7F	Chorus Send Level	0 - 127
	10	1		reserved	
	11	1	00 - 02	Insertion Effect Switch	thru, insA, insB
	12	1	00 - 4F	Output Select	0: L&R 8: asnL&R 9 - 15: asn1&2 - asn13&14 64 - 79: asnL, asnR, asn1 - asn14

TOTAL SIZE = 19 13 (HEX)

Address	Size	Data Range (HEX)	Parameter Name	Description	Notes
47 ee 20	1	00 - 7F	Element Level	0 - 127	*1
	21	1	00 - 7F	Level Velocity Sensitivity	-64 - +63
	22	1		reserved	
	23	1	00 - 7F	AEG Attack Time	0 - 127
	24	1	00 - 7F	AEG Decay1 Time	0 - 127
	25	1	00 - 7F	AEG Decay2 Time	0 - 126, hold
	26	1		reserved	
	27	1		reserved	
	28	1		reserved	
	29	1	00 - 7F	AEG Decay1 Level	0 - 127
	2A	1		reserved	
	2B	1		reserved	

TOTAL SIZE = 12 0C (HEX)

Address	Size	Data Range (HEX)	Parameter Name	Description	Notes	
48	ee	00 1	10 - 70	Coarse Tune	-48 - +48	*1
		01 1	00 - 7F	Fine Tune	-64 - +63	*1
		02 1	00 - 7F	Pitch Velocity Sensitivity	-64 - +63	

TOTAL SIZE = 3 03 (HEX)

Address	Size	Data Range (HEX)	Parameter Name	Description	Notes	
49	ee	00 1		reserved		
		01 2	00 - 01 00 - 7F	LPF Cutoff Frequency MSB LPF Cutoff Frequency LSB	0 - 255	
		03 1	00 - 7F	LPF Cutoff Velocity Sensitivity	-64 - +63	
		04 1	00 - 7F	LPF Resonance	0 - 127	
		05 1		reserved		
		06 2	00 - 01 00 - 7F	HPF Cutoff Frequency MSB HPF Cutoff Frequency LSB	0 - 255	

TOTAL SIZE = 8 08 (HEX)

Address	Size	Data Range (HEX)	Parameter Name	Description	Notes
4A	ee	00 1	00 - 05	EQ Type	EQ L/H, P, EQ, Boost6, Boost12, Boost18, thru
		01 1	00 - 1F	EQ Resonance	0 - 31
		02 2	00 - 01 00 - 7F	EQ 1 Frequency MSB EQ 1 Frequency LSB	EQ L/H: 46-182, P, EQ: 83-251
		04 1	20 - 60	EQ 1 GAIN	-32 - +32
		05 2	00 - 01 00 - 7F	EQ 2 Frequency MSB EQ 2 Frequency LSB	EQ L/H: 131-241
		07 1	20 - 60	EQ 2 GAIN	-32 - +32

TOTAL SIZE = 8 08 (HEX)

ee = Element Number (00 - 48: C0 - C6)

*1: Wave/Voice Typeをvoicelにした場合は、このパラメーターのみ有効。

<付表 10>
MIDI PARAMETER CHANGE TABLE (PLUG-IN VOICE)

* CS6x(ID=0x64)のPlug-in VoiceのParameter Changeを受信し、Parameter Requestにも対応する。

Address	Size	Data Range (HEX)	Parameter Name	Description	Notes
4C	70	00 1	20 - 7E	Voice Name1	32 - 126 (ASCII)
		01 1	20 - 7E	Voice Name2	32 - 126 (ASCII)
		02 1	20 - 7E	Voice Name3	32 - 126 (ASCII)
		03 1	20 - 7E	Voice Name4	32 - 126 (ASCII)
		04 1	20 - 7E	Voice Name5	32 - 126 (ASCII)
		05 1	20 - 7E	Voice Name6	32 - 126 (ASCII)
		06 1	20 - 7E	Voice Name7	32 - 126 (ASCII)
		07 1	20 - 7E	Voice Name8	32 - 126 (ASCII)
		08 1	20 - 7E	Voice Name9	32 - 126 (ASCII)
		09 1	20 - 7E	Voice Name10	32 - 126 (ASCII)
		0A 1		reserved	
		0B 1		reserved	
		0C 1	00 - 10	Voice Category (Main)	0 - 16 (-- Co) Ap, Kb, Or, Gt, Ba, St, Br, Rp, Ld, Pd, Sc, Cp, Dr, Se, Me, Co
		0D 1	00 - 03	Voice Category (Sub)	0 - 3 (-- Sub1 - Sub3) メインカテゴリーによる
		0E 1		reserved	
		0F 1		reserved	
		10 1		reserved	
		11 1		reserved	
		12 1		reserved	
4C	70	13 1		reserved	
		14 2	0000 - 20FF	ARP Type MSB ARP Type LSB	0 - 1786: Preset, 8192-8447: User
		16 1	00 - 01	ARP Switch	off, on
		17 1	00 - 02	ARP Hold	sync-off, off, on
		18 1	00 - 06	ARP Unit Multiply	50%, 66%, 75%, 100%, 133%, 150%, 200%
		19 1	00 - 7F	ARP Note Limit Low	C-2 - G8
		1A 1	00 - 7F	ARP Note Limit High	C-2 - G8
		1B 1	01 - 7F	ARP Velocity Limit Low	1 - 127
		1C 1	01 - 7F	ARP Velocity Limit High	1 - 127
		1D 1	00 - 04	ARP Key Mode	sort, thru, direct, sort+direct, thru+direct
		1E 1	00 - 01	ARP Vel Mode	original, thru
		1F 1	00 - 01	ARP Change Timing	realtime, measure
		20 1	00-06	ARP Quantize Value	32th, 16th Triplet, 16th, 8th Triplet, 8th, 4th Triplet, 4th
		21 1	00-64	ARP Quantize Strength	0-100%

Address	Size	Data Range (HEX)	Parameter Name	Description	Notes
		22 2	0000 - 00C8	ARP Velocity Rate MSB ARP Velocity Rate LSB	0-200%
		24 2	0000 - 00C8	ARP Gate Time Rate MSB ARP Gate Time Rate LSB	0-200%
		26 2	0000 - 3FFF	ARP Swing MSB ARP Swing LSB	-120-0-+120
		28 2	0001 - 012C	ARP Tempo MSB ARP Tempo LSB	1 - 300
		2A 2	0000 - 3FFF	ARP SF1 Assign Type MSB ARP SF1 Assign Type LSB	0 - 1786: Preset, 8192-8447: User, 16383: No Type
		2C 2	0000 - 3FFF	ARP SF2 Assign Type MSB ARP SF2 Assign Type LSB	0 - 1786: Preset, 8192-8447: User, 16383: No Type
		2E 2	0000 - 3FFF	ARP SF3 Assign Type MSB ARP SF3 Assign Type LSB	0 - 1786: Preset, 8192-8447: User, 16383: No Type
		30 2	0000 - 3FFF	ARP SF4 Assign Type MSB ARP SF4 Assign Type LSB	0 - 1786: Preset, 8192-8447: User, 16383: No Type
		32 2	0000 - 3FFF	ARP SF5 Assign Type MSB ARP SF5 Assign Type LSB	0 - 1786: Preset, 8192-8447: User, 16383: No Type
4C	70	34 1	00 - 05	Knob Function Select	0=Pan&Send, 1= Tone, 2=Assign, 3=MeqOffset, 4=MasterEffect, 5=ARP FX
		35 1	01 - 7F	Pan	L63 - C - R63
		36 1		reserved	
		37 1	00 - 7F	QED Decay Time	-64 - +63
		38 1		reserved	
		39 1		reserved	
		3A 1		reserved	
		3B 1		reserved	
		3C 1		reserved	
		3D 1		reserved	
		3E 1	00 - 7F	KnobA	-64 - +63
		3F 1	00 - 7F	KnobB	-64 - +63
		40 1		reserved	
		41 1	00 - 7F	EQ Low Gain	-64 - +63
		42 1	00 - 7F	EQ Low Mid Gain	-64 - +63
		43 1	00 - 7F	EQ High Mid Gain	-64 - +63
		44 1	00 - 7F	EQ High Gain	-64 - +63
		45 1	00 - 7F	Assign1	-64 - +63
		46 1	00 - 7F	Assign2	-64 - +63
		47 1	00 - 7F	Cutoff Frequency	-64 - +63
		48 1	00 - 7F	Resonance	-64 - +63
		49 1	00 - 7F	Attack Time	-64 - +63
		4A 1	00 - 7F	Release Time	-64 - +63
		4B 1		reserved	
		4C 1		reserved	
		4D 1		reserved	
		4E 1		reserved	
		4F 1		reserved	
		50 1		reserved	
		51 1		reserved	

TOTAL SIZE = 82 52 (HEX)

Address	Size	Data Range (HEX)	Parameter Name	Description	Notes
4C	00	00 1	00 - 7F	Volume	0 - 127
		01 1		reserved	
		02 1	00 - 01	Same Note Number Key On Assign	single, multi
		03 1	00 - 01	QED Mono/Poly Mode	mono, poly
		04 1		reserved	
		05 1	28 - 58	QED Pitch Bend Range	-24 - +24 [semitones]
		06 1		reserved	
		07 1		reserved	
		08 1	00 - 01	QED Portamento Switch	off, on
		09 1	00 - 7F	QED Portamento Time	0 - 127
		0A 1	01 - 02	Insertion Connect Type	A->B, B->A
		0B 1	00 - 7F	Reverb Send	--dB - 0dB
		0C 1	00 - 7F	Chorus Send	--dB - 0dB

TOTAL SIZE = 13 0D (HEX)

Address	Size	Data Range (HEX)	Parameter Name	Description	Notes
4C 01 00	2	00 - 7F 00 - 7F	Reverb Type MSB Reverb Type LSB	Effect ParameterList 参照	
	02	00 - 7F 00 - 7F	Reverb Parameter 1 MSB Reverb Parameter 1 LSB	:	
	04	00 - 7F 00 - 7F	Reverb Parameter 2 MSB Reverb Parameter 2 LSB	:	
	06	00 - 7F 00 - 7F	Reverb Parameter 3 MSB Reverb Parameter 3 LSB	:	
	08	00 - 7F 00 - 7F	Reverb Parameter 4 MSB Reverb Parameter 4 LSB	:	
	0A	00 - 7F 00 - 7F	Reverb Parameter 5 MSB Reverb Parameter 5 LSB	:	
	0C	00 - 7F 00 - 7F	Reverb Parameter 6 MSB Reverb Parameter 6 LSB	:	
	0E	00 - 7F 00 - 7F	Reverb Parameter 7 MSB Reverb Parameter 7 LSB	:	
	10	00 - 7F 00 - 7F	Reverb Parameter 8 MSB Reverb Parameter 8 LSB	:	
	12	00 - 7F 00 - 7F	Reverb Parameter 9 MSB Reverb Parameter 9 LSB	:	
	14	00 - 7F 00 - 7F	Reverb Parameter 10 MSB Reverb Parameter 10 LSB	:	
	16	00 - 7F 00 - 7F	Reverb Parameter 11 MSB Reverb Parameter 11 LSB	:	
	18	00 - 7F 00 - 7F	Reverb Parameter 12 MSB Reverb Parameter 12 LSB	:	
	1A	00 - 7F 00 - 7F	Reverb Parameter 13 MSB Reverb Parameter 13 LSB	:	
	1C	00 - 7F 00 - 7F	Reverb Parameter 14 MSB Reverb Parameter 14 LSB	:	
	1E	00 - 7F 00 - 7F	Reverb Parameter 15 MSB Reverb Parameter 15 LSB	:	
	20	00 - 7F 00 - 7F	Reverb Parameter 16 MSB Reverb Parameter 16 LSB	:	
	22	1 00 - 7F	Reverb Return	--dB - 0dB - +6dB (0 - 96 - 127)	
	23	1 01 - 7F	Reverb Pan	L63 - C - R63	

TOTAL SIZE = 36 24 (HEX)

4C 02 00	2	00 - 7F 00 - 7F	Chorus Type MSB Chorus Type LSB	Effect ParameterList 参照	
	02	00 - 7F 00 - 7F	Chorus Parameter 1 MSB Chorus Parameter 1 LSB	:	
	04	00 - 7F 00 - 7F	Chorus Parameter 2 MSB Chorus Parameter 2 LSB	:	
	06	00 - 7F 00 - 7F	Chorus Parameter 3 MSB Chorus Parameter 3 LSB	:	
	08	00 - 7F 00 - 7F	Chorus Parameter 4 MSB Chorus Parameter 4 LSB	:	
	0A	00 - 7F 00 - 7F	Chorus Parameter 5 MSB Chorus Parameter 5 LSB	:	
	0C	00 - 7F 00 - 7F	Chorus Parameter 6 MSB Chorus Parameter 6 LSB	:	
	0E	00 - 7F 00 - 7F	Chorus Parameter 7 MSB Chorus Parameter 7 LSB	:	
	10	00 - 7F 00 - 7F	Chorus Parameter 8 MSB Chorus Parameter 8 LSB	:	
	12	00 - 7F 00 - 7F	Chorus Parameter 9 MSB Chorus Parameter 9 LSB	:	
	14	00 - 7F 00 - 7F	Chorus Parameter 10 MSB Chorus Parameter 10 LSB	:	
	16	00 - 7F 00 - 7F	Chorus Parameter 11 MSB Chorus Parameter 11 LSB	:	
	18	00 - 7F 00 - 7F	Chorus Parameter 12 MSB Chorus Parameter 12 LSB	:	
	1A	00 - 7F 00 - 7F	Chorus Parameter 13 MSB Chorus Parameter 13 LSB	:	
	1C	00 - 7F 00 - 7F	Chorus Parameter 14 MSB Chorus Parameter 14 LSB	:	
	1E	00 - 7F 00 - 7F	Chorus Parameter 15 MSB Chorus Parameter 15 LSB	:	
	20	00 - 7F 00 - 7F	Chorus Parameter 16 MSB Chorus Parameter 16 LSB	:	
	22	1 00 - 7F	Chorus Return	--dB - 0dB - +6dB (0 - 96 - 127)	
	23	1 01 - 7F	Chorus Pan	L63 - C - R63	
	24	1 00 - 7F	Send Chorus To Reverb	--dB - 0dB (0 - 127)	

TOTAL SIZE = 37 25 (HEX)

4C 03 00	2	00 - 7F 00 - 7F	Insertion-A Type MSB Insertion-A Type LSB	Effect ParameterList 参照	
	02	00 - 7F 00 - 7F	Insertion-A Parameter1 MSB Insertion-A Parameter1 LSB	:	
	04	00 - 7F 00 - 7F	Insertion-A Parameter2 MSB Insertion-A Parameter2 LSB	:	
	06	00 - 7F 00 - 7F	Insertion-A Parameter3 MSB Insertion-A Parameter3 LSB	:	
	08	00 - 7F 00 - 7F	Insertion-A Parameter4 MSB Insertion-A Parameter4 LSB	:	

	0A	2 00 - 7F 00 - 7F	Insertion-A Parameter5 MSB Insertion-A Parameter5 LSB	:	
	0C	2 00 - 7F 00 - 7F	Insertion-A Parameter6 MSB Insertion-A Parameter6 LSB	:	
	0E	2 00 - 7F 00 - 7F	Insertion-A Parameter7 MSB Insertion-A Parameter7 LSB	:	
	10	2 00 - 7F 00 - 7F	Insertion-A Parameter8 MSB Insertion-A Parameter8 LSB	:	
	12	2 00 - 7F 00 - 7F	Insertion-A Parameter9 MSB Insertion-A Parameter9 LSB	:	
	14	2 00 - 7F 00 - 7F	Insertion-A Parameter10 MSB Insertion-A Parameter10 LSB	:	
	16	2 00 - 7F 00 - 7F	Insertion-A Parameter11 MSB Insertion-A Parameter11 LSB	:	
	18	2 00 - 7F 00 - 7F	Insertion-A Parameter12 MSB Insertion-A Parameter12 LSB	:	
	1A	2 00 - 7F 00 - 7F	Insertion-A Parameter13 MSB Insertion-A Parameter13 LSB	:	
	1C	2 00 - 7F 00 - 7F	Insertion-A Parameter14 MSB Insertion-A Parameter14 LSB	:	
	1E	2 00 - 7F 00 - 7F	Insertion-A Parameter15 MSB Insertion-A Parameter15 LSB	:	
	20	2 00 - 7F 00 - 7F	Insertion-A Parameter16 MSB Insertion-A Parameter16 LSB	:	

TOTAL SIZE = 34 22 (HEX)

4C 04 00	2	00 - 7F	Insertion-B Type MSB Insertion-B Type LSB	Effect Parameter List 参照	
	02	2 00 - 7F	Insertion-B Parameter 1 MSB Insertion-B Parameter 1 LSB	:	
	04	2 00 - 7F	Insertion-B Parameter 2 MSB Insertion-B Parameter 2 LSB	:	
	06	2 00 - 7F	Insertion-B Parameter 3 MSB Insertion-B Parameter 3 LSB	:	
	08	2 00 - 7F	Insertion-B Parameter 4 MSB Insertion-B Parameter 4 LSB	:	
	0A	2 00 - 7F	Insertion-B Parameter 5 MSB Insertion-B Parameter 5 LSB	:	
	0C	2 00 - 7F	Insertion-B Parameter 6 MSB Insertion-B Parameter 6 LSB	:	
	0E	2 00 - 7F	Insertion-B Parameter 7 MSB Insertion-B Parameter 7 LSB	:	
	10	2 00 - 7F	Insertion-B Parameter 8 MSB Insertion-B Parameter 8 LSB	:	
	12	2 00 - 7F	Insertion-B Parameter 9 MSB Insertion-B Parameter 9 LSB	:	
	14	2 00 - 7F	Insertion-B Parameter 10 MSB Insertion-B Parameter 10 LSB	:	
	16	2 00 - 7F 00 - 7F	Insertion-B Parameter 11 MSB Insertion-B Parameter 11 LSB	:	
	18	2 00 - 7F 00 - 7F	Insertion-B Parameter 12 MSB Insertion-B Parameter 12 LSB	:	
	1A	2 00 - 7F 00 - 7F	Insertion-B Parameter 13 MSB Insertion-B Parameter 13 LSB	:	
	1C	2 00 - 7F 00 - 7F	Insertion-B Parameter 14 MSB Insertion-B Parameter 14 LSB	:	
	1E	2 00 - 7F 00 - 7F	Insertion-B Parameter 15 MSB Insertion-B Parameter 15 LSB	:	
	20	2 00 - 7F 00 - 7F	Insertion-B Parameter 16 MSB Insertion-B Parameter 16 LSB	:	

TOTAL SIZE = 34 22 (HEX)

4C 05 00	1	00 - 0C	Controller Set1 Source	0: PB, 1: MW, 3: AT, 4: FC, 5: FS, 6: RB, 7: BC, 8: AS1, 9: AS2, 12: FC2	
	01	2 00 00 - 23	Controller Set1 Destination MSB Controller Set1 Destination LSB	0 - 35	
	03	1 00 - 7F	Controller Set1 Depth	-64 - +63	
	04	1	reserved		
	05	1 00 - 0C	Controller Set2 Source	0: PB, 1: MW, 3: AT, 4: FC, 5: FS, 6: RB, 7: BC, 8: AS1, 9: AS2, 12: FC2	
	06	2 00 00 - 23	Controller Set2 Destination MSB Controller Set2 Destination LSB	0 - 35	
	08	1 00 - 7F	Controller Set2 Depth	-64 - +63	
	09	1	reserved		

TOTAL SIZE = 10 0A (HEX)

Address	Size	Data Range (HEX)	Parameter Name	Description	Notes	
4C	10	00	1	00-7F	Voice Bank MSB	0 - 127
		01	1	00-7F	Voice Bank LSB	0 - 127
		02	1	00-7F	Voice Number	0 - 127
		03	1	28-58	Note Shift	-24 - 0 - +24 [semitones]
		04	1	00-7F	Velocity Sense Depth	0 - 127
		05	1	00-7F	Velocity Sense Offset	0 - 127
		06	1	00-7F	(Vibrato Rate) LFO Speed	-64 - +63
		07	1	00-7F	(Vibrato Depth) LFO Pitch Depth	-64 - +63
		08	1	00-7F	(Vibrato Delay) LFO Delay	-64 - +63
		09	1	00-7F	MW Filter Control	-64 - +63
		0A	1		reserved	0
		0B	1	00-7F	MW LFO Pitch Modulation Depth	0 - 127
		0C	1	00-7F	MW LFO Filter Modulation Depth	0 - 127
		0D	1	00-7F	MW LFO Amplitude Modulation Depth	0 - 127
		0E	1	28-58	CAT Pitch Control	-24 - +24 [semitones]
		0F	1	00-7F	CAT Filter Control	-64 - +63
		10	1		reserved	-64 - +63
		11	1	00-7F	CAT LFO Pitch Modulation Depth	0 - 127
		12	1	00-7F	CAT LFO Filter Modulation Depth	0 - 127
		13	1	00-7F	CAT LFO Amplitude Modulation Depth	0 - 127
		14	1	00-5F	AC1 Controller Number	0 - 95
		15	1	00-7F	AC1 Filter Control	-64 - +63
		16	1		reserved	-64 - +63
		17	1	00-7F	AC1 LFO Pitch Modulation Depth	0 - 127
		18	1	00-7F	AC1 LFO Filter Modulation Depth	0 - 127
		19	1	00-7F	AC1 LFO Amplitude Modulation Depth	0 - 127
		1A	1	00-7F	Pitch EG Initial Level	-64 - +63
		1B	1	00-7F	Pitch EG Attack Time	-64 - +63
		1C	1	00-7F	Pitch EG Release Level	-64 - +63
		1D	1	00-7F	Pitch EG Release Time	-64 - +63
		1E	1	00-7F	EQ Low Gain	-64 - +63 (-12 - +12 [dB])
		1F	1	00-7F	EQ High Gain	-64 - +63 (-12 - +12 [dB])
		20	1	04-28	EQ Low Frequency	32 - 2.0k [Hz]
		21	1	1C-3A	EQ High Frequency	500 - 16.0k [Hz]
		22	1	00-7F	HPF Cutoff Frequency	-64 - 0 - +63

TOTAL SIZE = 35 23 (HEX)

Address	Size	Data Range (HEX)	Parameter Name	Description	Notes	
4C	20	00	64	00-7F	Plug-in Board Native Parameter	Depends on Plug-in Board
		40	3	00-7F	Plug-in Board Type MSB	
				00-7F	Plug-in Board Type LSB	
				00-7F	Plug-in Board Version Number	
		43	1	00-7F	reserved	

TOTAL SIZE = 68 44 (HEX)

<付表 11>
MIDI PARAMETER CHANGE TABLE
 (MIX COMMON for Pattern, Song)

Address	Size	Data Range (HEX)	Parameter Name	Description	Notes	
36	00	00	1		reserved	
		01	1		reserved	
		02	1		reserved	
		03	1		reserved	
		04	1		reserved	
		05	1		reserved	
		06	1		reserved	
		07	1		reserved	
		08	1		reserved	
		09	1		reserved	
		0A	1		reserved	
		0B	1		reserved	
		0C	1		reserved	
		0D	1		reserved	
		0E	1		reserved	
		0F	1		reserved	
		10	1		reserved	
		11	1	00-01	ARP MIDI Out Switch	off, on
		12	1	00-10	ARP MIDI Out Channel	1 - 16, kbd-ch
36	00	13	1		reserved	
		14	2	00-7F	ARP Type MSB	0-1786: Preset, 8192-8447: User
				00-7F	ARP Type LSB	
		16	1	00-01	ARP Switch	off, on

Address	Size	Data Range (HEX)	Parameter Name	Description	Notes	
		17	1	00-02	ARP Hold	sync-off, off, on
		18	1	00-06	ARP Unit Multiplay	50%, 66%, 75%, 100%, 133%, 150%, 200%
		19	1	00-7F	ARP Note Limit Low	C-2 - G8
		1A	1	00-7F	ARP Note Limit High	C-2 - G8
		1B	1	01-7F	ARP Velocity Limit Low	1 - 127
		1C	1	01-7F	ARP Velocity Limit High	1 - 127
		1D	1	00-04	ARP Key Mode	sort, thru, direct, sort+direct, thru+direct
		1E	1	00-01	ARP Vel Mode	original, thru
		1F	1	00-01	ARP Change Timing	realtime, measure
		20	1	00-06	ARP Quantize Value	32th, 16th Triplet, 16th, 8th Triplet, 8th, 4th Triplet, 4th
		21	1	00-64	ARP Quantize Strength	0 - 100%
		22	2	0000-00C8	ARP Velocity Rate MSB ARP Velocity Rate LSB	0 - 200%
		24	2	0000-00C8	ARP Gate Time Rate MSB ARP Gate Time Rate LSB	0 - 200%
		26	2		ARP Swing MSB ARP Swing LSB	-120 - 0 - +120
		28	1		reserved	
			1		reserved	
		2A	2	0000-3FFF	ARP SF1 Assign Type MSB ARP SF1 Assign Type LSB	0-1786: Preset, 8192-8447: User, 16383: No Type
		2C	2	0000-3FFF	ARP SF2 Assign Type MSB ARP SF2 Assign Type LSB	0-1786: Preset, 8192-8447: User, 16383: No Type
		2E	2	0000-3FFF	ARP SF3 Assign Type MSB ARP SF3 Assign Type LSB	0-1786: Preset, 8192-8447: User, 16383: No Type
		30	2	0000-3FFF	ARP SF4 Assign Type MSB ARP SF4 Assign Type LSB	0-1786: Preset, 8192-8447: User, 16383: No Type
		32	2	0000-3FFF	ARP SF5 Assign Type MSB ARP SF5 Assign Type LSB	0-1786: Preset, 8192-8447: User, 16383: No Type
36	00	34	1	00-05	Knob Function Select	0=Pan&Send, 1=Tone, 2=Assign, 3=PartEQ, 4=MasterEffect, 5=ARP FX
		35	1		reserved	
		36	1		reserved	
		37	1		reserved	
		38	1		reserved	
		39	1		reserved	
		3A	1		reserved	
		3B	1		reserved	
		3C	1		reserved	
		3D	1		reserved	
		3E	1	00-7F	KnobA	-64 - +63
		3F	1	00-7F	KnobB	-64 - +63
		40	1		reserved	
		41	1	00-7F	EQ Low Gain	-64 - +63
		42	1	00-7F	EQ Low Mid Gain	-64 - +63
		43	1	00-7F	EQ High Mid Gain	-64 - +63
		44	1	00-7F	EQ High Gain	-64 - +63
		45	1	00-7F	Assign1	-64 - +63
		46	1	00-7F	Assign2	-64 - +63
		47	1		reserved	
		48	1		reserved	
		49	1		reserved	
		4A	1		reserved	
		4B	1		reserved	
		4C	1		reserved	
		4D	1		reserved	
		4E	1		reserved	
		4F	1		reserved	
		50	1		reserved	
		51	1		reserved	
36	00	52	1		reserved	
		53	1		reserved	
		54	1		reserved	
		55	1		reserved	
		56	1		reserved	
		57	1		reserved	
		58	1	00-5F	Assign1 Control Number	off, 1 - 95
		59	1	00-5F	Assign2 Control Number	off, 1 - 95
		5A	1	00-5F	BC Control Number	off, 1 - 95
		5B	1	00-5F	FC2 Control Number	off, 1 - 95
		5C	1	00-5F	FC1 Control Number	off, 1 - 95
		5D	1	00-01	RB Mode	hold, reset
		5E	1	00-5F	RB Control Number	off, 1 - 95
		5F	1	01-02	Analog Insertion Connect Type	A->B, B->A

Address	Size	Data Range (HEX)	Parameter Name	Description	Notes
	60	4	00	Insertion Part Sw	reserved 同時に 8Part まで On できる
			00 - 7F	bit0: off, on Part15 bit1: off, on Part16 bit2: off, on PBPart1 bit3: off, on PBPart2 bit4: off, on PBPart3 bit5: off, on AnalogPart bit6: reserved	
			00 - 7F	bit0: off, on Part8 bit1: off, on Part9 bit2: off, on Part10 bit3: off, on Part11 bit4: off, on Part12 bit5: off, on Part13 bit6: off, on Part14	
			00 - 7F	bit0: off, on Part1 bit1: off, on Part2 bit2: off, on Part3 bit3: off, on Part4 bit4: off, on Part5 bit5: off, on Part6 bit6: off, on Part7	
	64	1	00 - 7F	InsEF Plug-in Part	0 - 15: Part1 - 16 64: PartAD 97 - 98: PB Part2, 3 127: off (上記以外の値でも)

TOTAL SIZE = 101 65 (HEX)

36	01	00	2	00 - 7F 00 - 7F	Reverb Type MSB Reverb Type LSB	Effect Parameter List 参照	
	02	2	00 - 7F 00 - 7F	Reverb Parameter 1 MSB Reverb Parameter 1 LSB	:		
	04	2	00 - 7F 00 - 7F	Reverb Parameter 2 MSB Reverb Parameter 2 LSB	:		
	06	2	00 - 7F 00 - 7F	Reverb Parameter 3 MSB Reverb Parameter 3 LSB	:		
	08	2	00 - 7F 00 - 7F	Reverb Parameter 4 MSB Reverb Parameter 4 LSB	:		
	0A	2	00 - 7F 00 - 7F	Reverb Parameter 5 MSB Reverb Parameter 5 LSB	:		
	0C	2	00 - 7F 00 - 7F	Reverb Parameter 6 MSB Reverb Parameter 6 LSB	:		
	0E	2	00 - 7F 00 - 7F	Reverb Parameter 7 MSB Reverb Parameter 7 LSB	:		
	10	2	00 - 7F 00 - 7F	Reverb Parameter 8 MSB Reverb Parameter 8 LSB	:		
	12	2	00 - 7F 00 - 7F	Reverb Parameter 9 MSB Reverb Parameter 9 LSB	:		
	14	2	00 - 7F 00 - 7F	Reverb Parameter 10 MSB Reverb Parameter 10 LSB	:		
	16	2	00 - 7F 00 - 7F	Reverb Parameter 11 MSB Reverb Parameter 11 LSB	:		
	18	2	00 - 7F 00 - 7F	Reverb Parameter 12 MSB Reverb Parameter 12 LSB	:		
	1A	2	00 - 7F 00 - 7F	Reverb Parameter 13 MSB Reverb Parameter 13 LSB	:		
	1C	2	00 - 7F 00 - 7F	Reverb Parameter 14 MSB Reverb Parameter 14 LSB	:		
	1E	2	00 - 7F 00 - 7F	Reverb Parameter 15 MSB Reverb Parameter 15 LSB	:		
	20	2	00 - 7F 00 - 7F	Reverb Parameter 16 MSB Reverb Parameter 16 LSB	:		
	22	1	00 - 7F	Reverb Return	--dB - 0dB - +6dB (0 - 96 - 127)		
	23	1	01 - 7F	Reverb Pan	L63 - C - R63		

TOTAL SIZE = 36 24 (HEX)

36	02	00	2	00 - 7F 00 - 7F	Chorus Type MSB Chorus Type LSB	Effect Parameter List 参照	
	02	2	00 - 7F 00 - 7F	Chorus Parameter 1 MSB Chorus Parameter 1 LSB	:		
	04	2	00 - 7F 00 - 7F	Chorus Parameter 2 MSB Chorus Parameter 2 LSB	:		
	06	2	00 - 7F 00 - 7F	Chorus Parameter 3 MSB Chorus Parameter 3 LSB	:		
	08	2	00 - 7F 00 - 7F	Chorus Parameter 4 MSB Chorus Parameter 4 LSB	:		
	0A	2	00 - 7F 00 - 7F	Chorus Parameter 5 MSB Chorus Parameter 5 LSB	:		
	0C	2	00 - 7F 00 - 7F	Chorus Parameter 6 MSB Chorus Parameter 6 LSB	:		
	0E	2	00 - 7F 00 - 7F	Chorus Parameter 7 MSB Chorus Parameter 7 LSB	:		
	10	2	00 - 7F 00 - 7F	Chorus Parameter 8 MSB Chorus Parameter 8 LSB	:		
	12	2	00 - 7F 00 - 7F	Chorus Parameter 9 MSB Chorus Parameter 9 LSB	:		
	14	2	00 - 7F 00 - 7F	Chorus Parameter 10 MSB Chorus Parameter 10 LSB	:		

	16	2	00 - 7F 00 - 7F	Chorus Parameter 11 MSB Chorus Parameter 11 LSB	:		
	18	2	00 - 7F 00 - 7F	Chorus Parameter 12 MSB Chorus Parameter 12 LSB	:		
	1A	2	00 - 7F 00 - 7F	Chorus Parameter 13 MSB Chorus Parameter 13 LSB	:		
	1C	2	00 - 7F 00 - 7F	Chorus Parameter 14 MSB Chorus Parameter 14 LSB	:		
	1E	2	00 - 7F 00 - 7F	Chorus Parameter 15 MSB Chorus Parameter 15 LSB	:		
	20	2	00 - 7F 00 - 7F	Chorus Parameter 16 MSB Chorus Parameter 16 LSB	:		
	22	1	00 - 7F	Chorus Return	--dB - 0dB - +6dB (0 - 96 - 127)		
	23	1	01 - 7F	Chorus Pan	L63 - C - R63		
	24	1	00 - 7F	Send Chorus To Reverb	--dB - 0dB (0 - 127)		

TOTAL SIZE = 37 25 (HEX)

36	03	00	2	00 - 7F 00 - 7F	Insertion-A Type MSB Insertion-A Type LSB	Effect Parameter List 参照	for Analog Part
	02	2	00 - 7F 00 - 7F	Insertion-A Parameter1 MSB Insertion-A Parameter1 LSB	:		
	04	2	00 - 7F 00 - 7F	Insertion-A Parameter2 MSB Insertion-A Parameter2 LSB	:		
	06	2	00 - 7F 00 - 7F	Insertion-A Parameter3 MSB Insertion-A Parameter3 LSB	:		
	08	2	00 - 7F 00 - 7F	Insertion-A Parameter4 MSB Insertion-A Parameter4 LSB	:		
	0A	2	00 - 7F 00 - 7F	Insertion-A Parameter5 MSB Insertion-A Parameter5 LSB	:		
	0C	2	00 - 7F 00 - 7F	Insertion-A Parameter6 MSB Insertion-A Parameter6 LSB	:		
	0E	2	00 - 7F 00 - 7F	Insertion-A Parameter7 MSB Insertion-A Parameter7 LSB	:		
	10	2	00 - 7F 00 - 7F	Insertion-A Parameter8 MSB Insertion-A Parameter8 LSB	:		
	12	2	00 - 7F 00 - 7F	Insertion-A Parameter9 MSB Insertion-A Parameter9 LSB	:		
	14	2	00 - 7F 00 - 7F	Insertion-A Parameter10 MSB Insertion-A Parameter10 LSB	:		
	16	2	00 - 7F 00 - 7F	Insertion-A Parameter11 MSB Insertion-A Parameter11 LSB	:		
	18	2	00 - 7F 00 - 7F	Insertion-A Parameter12 MSB Insertion-A Parameter12 LSB	:		
	1A	2	00 - 7F 00 - 7F	Insertion-A Parameter13 MSB Insertion-A Parameter13 LSB	:		
	1C	2	00 - 7F 00 - 7F	Insertion-A Parameter14 MSB Insertion-A Parameter14 LSB	:		
	1E	2	00 - 7F 00 - 7F	Insertion-A Parameter15 MSB Insertion-A Parameter15 LSB	:		
	20	2	00 - 7F 00 - 7F	Insertion-A Parameter16 MSB Insertion-A Parameter16 LSB	:		

TOTAL SIZE = 34 22 (HEX)

36	03	00	2	00 - 7F 00 - 7F	Insertion-B Type MSB Insertion-B Type LSB	Effect Parameter List 参照	for Analog Part
	02	2	00 - 7F 00 - 7F	Insertion-B Parameter1 MSB Insertion-B Parameter1 LSB	:		
	04	2	00 - 7F 00 - 7F	Insertion-B Parameter2 MSB Insertion-B Parameter2 LSB	:		
	06	2	00 - 7F 00 - 7F	Insertion-B Parameter3 MSB Insertion-B Parameter3 LSB	:		
	08	2	00 - 7F 00 - 7F	Insertion-B Parameter4 MSB Insertion-B Parameter4 LSB	:		
	0A	2	00 - 7F 00 - 7F	Insertion-B Parameter5 MSB Insertion-B Parameter5 LSB	:		
	0C	2	00 - 7F 00 - 7F	Insertion-B Parameter6 MSB Insertion-B Parameter6 LSB	:		
	0E	2	00 - 7F 00 - 7F	Insertion-B Parameter7 MSB Insertion-B Parameter7 LSB	:		
	10	2	00 - 7F 00 - 7F	Insertion-B Parameter8 MSB Insertion-B Parameter8 LSB	:		
	12	2	00 - 7F 00 - 7F	Insertion-B Parameter9 MSB Insertion-B Parameter9 LSB	:		
	14	2	00 - 7F 00 - 7F	Insertion-B Parameter10 MSB Insertion-B Parameter10 LSB	:		
	16	2	00 - 7F 00 - 7F	Insertion-B Parameter11 MSB Insertion-B Parameter11 LSB	:		
	18	2	00 - 7F 00 - 7F	Insertion-B Parameter12 MSB Insertion-B Parameter12 LSB	:		
	1A	2	00 - 7F 00 - 7F	Insertion-B Parameter13 MSB Insertion-B Parameter13 LSB	:		
	1C	2	00 - 7F 00 - 7F	Insertion-B Parameter14 MSB Insertion-B Parameter14 LSB	:		
	1E	2	00 - 7F 00 - 7F	Insertion-B Parameter15 MSB Insertion-B Parameter15 LSB	:		
	20	2	00 - 7F 00 - 7F	Insertion-B Parameter16 MSB Insertion-B Parameter16 LSB	:		

TOTAL SIZE = 34 22 (HEX)

Address	Size	Data Range (HEX)	Parameter Name	Description	Notes		
36	10	00	1	34-4C	EQ Gain1	-12 - +12 [dB]	
		01	1	04-28	EQ Frequency1	32 - 2000 [Hz]	
		02	1	01-78	EQ Q1	0.1 - 12.0	
		03	1	00-01	EQ Shape1	shelv, peak	
		04	1	34-4C	EQ Gain2	-12 - +12 [dB]	
		05	1	0E-36	EQ Frequency2	100 - 10.0 [kHz]	
		06	1	01-78	EQ Q2	0.1 - 12.0	
			1	01	EQ SHAPE2	PEAKING	reserved
		08	1	34-4C	EQ Gain3	-12 - +12 [dB]	
		09	1	0E-36	EQ Frequency3	100 - 10.0 [kHz]	
		0A	1	01-78	EQ Q3	0.1 - 12.0	
			1		Not Used		
		0C	1	34-4C	EQ Gain4	-12 - +12 [dB]	
		0D	1	0E-36	EQ Frequency4	100 - 10.0 [kHz]	
		0E	1	01-78	EQ Q4	0.1 - 12.0	
			1		Not Used		
		10	1	34-4C	EQ Gain5	-12 - +12 [dB]	
		11	1	1C-3A	EQ Frequency5	0.5 - 16.0 [kHz]	
		12	1	01-78	EQ Q5	0.1 - 12.0	
		13	1	00-01	EQ Shape5	shelv, peak	

TOTAL SIZE = 20 14 (HEX)

36	11	00	2	00-7F 00-7F	Master Effect Type MSB Master Effect Type LSB	Effect ParameterList 参照	
		02	2	00-7F 00-7F	Master Effect Parameter1 MSB Master Effect Parameter1 LSB	:	
		04	2	00-7F 00-7F	Master Effect Parameter2 MSB Master Effect Parameter2 LSB	:	
		06	2	00-7F 00-7F	Master Effect Parameter3 MSB Master Effect Parameter3 LSB	:	

		08	2	00-7F 00-7F	Master Effect Parameter4 MSB Master Effect Parameter4 LSB	:	
		0A	2	00-7F 00-7F	Master Effect Parameter5 MSB Master Effect Parameter5 LSB	:	
		0C	2	00-7F 00-7F	Master Effect Parameter6 MSB Master Effect Parameter6 LSB	:	
		0E	2	00-7F 00-7F	Master Effect Parameter7 MSB Master Effect Parameter7 LSB	:	
		10	2	00-7F 00-7F	Master Effect Parameter8 MSB Master Effect Parameter8 LSB	:	
		12	2	00-7F 00-7F	Master Effect Parameter9 MSB Master Effect Parameter9 LSB	:	
		14	2	00-7F 00-7F	Master Effect Parameter10 MSB Master Effect Parameter10 LSB	:	
		16	2	00-7F 00-7F	Master Effect Parameter11 MSB Master Effect Parameter11 LSB	:	
		18	2	00-7F 00-7F	Master Effect Parameter12 MSB Master Effect Parameter12 LSB	:	
		1A	2	00-7F 00-7F	Master Effect Parameter13 MSB Master Effect Parameter13 LSB	:	
		1C	2	00-7F 00-7F	Master Effect Parameter14 MSB Master Effect Parameter14 LSB	:	
		1E	2	00-7F 00-7F	Master Effect Parameter15 MSB Master Effect Parameter15 LSB	:	
		20	2	00-7F 00-7F	Master Effect Parameter16 MSB Master Effect Parameter16 LSB	:	
		22	1	00-01	Master Effect ON/OFF	0: OFF, 1: ON	

TOTAL SIZE = 35 23 (HEX)

36	20	00	16	00-7F	Plug-in Board Native System Parameter	(for InsEF Plug-in)	
		10	48	00-7F	Plug-in Board Native Parameter	(for InsEF Plug-in)	
		40	3	00-7F	Plug-in Board Type MSB Plug-in Board Type LSB Plug-in Board Version Number	(for InsEF Plug-in)	
		43	1	00-7F	reserved		

TOTAL SIZE = 68 44 (HEX)

<付表 12>

MIDI PARAMETER CHANGE TABLE (MIX PART for Pattern, Song)

Address	Size	Data Range (HEX)	Parameter Name	Description	Notes		
37	pp	00	1	00-7F	Bank Select MSB	0 - 127	
		01	1	00-7F	Bank Select LSB	0 - 127	
		02	1	00-7F	Program Number	1 - 128	
		03	1	00-0F, 7F	Receive Channel	1 - 16, off (7F)	
		04	1	00-01	Part Mode	mono, poly	
		05	1	01-7F	Velocity Limit Low	1 - 127	
		06	1	01-7F	Velocity Limit High	1 - 127	
		07	1	00-7F	Note Limit Low	C-2 - G8	
		08	1	00-7F	Note Limit High	C-2 - G8	
		09	1	10-58	Pitch Bend Range Upper	-48 - +24 (PB Part: -24 - +24)	
		0A	1	10-58	Pitch Bend Range Lower	-48 - +24	
		0B	1	00-7F	Velocity Sense Depth	0 - 127	
		0C	1	00-7F	Velocity Sense Offset	0 - 127	
		0D	1	00-7F	Volume	0 - 127	
		0E	1	01-7F	Pan	L63 - C - R63	
		0F	1		reserved		
		10	2	00-0F 00-0F	Detune MSB Detune LSB	-12.8 - +12.7 [Hz] 1st bit3-0 → bit7-4 2nd bit3-0 → bit3-0	
		12	1	00-7F	Reverb Send	0 - 127	
		13	1	00-7F	Chorus Send	0 - 127	
		14	1	00-7F	reserved		
		15	1	00-7F	Dry Level	0 - 127	
		16	1	28-58	Note Shift	-24 - +24 [semitones]	
		17	1	00-7F	Filter Cutoff Frequency	-64 - +63	
		18	1	00-7F	Filter Resonance/Width	-64 - +63	
		19	1		reserved		
		1A	1	00-01	Portamento Switch	off, on	
		1B	1	00-7F	Portamento Time	0 - 127	
		1C	1	00-01	Portamento Mode	fingered, fulltime	
		1D	1		reserved		
		1E	1	00-7F	Output Select	0: L&R 8: asnL&R, 9-15: asn1&2 - asn13&14 64 - 79: asnL, asnR, asn1 - asn14 127: drum (or L&R)	Part1 7-32 は、L&R 固定。
37	pp	1F	1	00-7F	reserved Arpeggio Sw Receive Control Change Receive Bank Select Receive Program Change Receive AT Receive PB	bit0: reserved bit1: Arpeggio Sw off, on bit2: off, on Control Change bit3: off, on Bank Select bit4: off, on Program Change bit5: off, on AT bit6: off, on PB	

Address	Size	Data Range (HEX)	Parameter Name	Description	Notes		
		20	1	00 – 7F	Receive Volume/Expression Receive Pan Receive Sustain/Sostenuto Receive MW	bit0: off, on Volume/Expression bit1: off, on Pan bit2: reserved bit3: off, on Sustain/Sostenuto bit4: reserved bit5: off, on MW bit6: reserved	
		21	1	00 – 7F	Receive FC2 Receive FS Receive FC1 Receive BC Receive Knob1 Receive Knob2 Receive RB	bit0: off, on FC2 bit1: off, on FS bit2: off, on FC1 bit3: off, on BC bit4: off, on KN1 bit5: off, on KN2 bit6: off, on RB	
37	pp	22	1	00 – 7F	AEG Decay2 Level (EG Sustain Level)	-64 – +63	
		23	1	00 – 7F	AEG Attack Time (EG Attack Time)	-64 – +63	
		24	1	00 – 01	Voice Pan on/off	off, on	
		25	1	00 – 7F	AEG Decay2 Time (EG Decay Time)	-64 – +63	
		26	1	00 – 7F	AEG Release Time (EG Release Time)	-64 – +63	
		27	1	00 – 7F	FEG Decay2 Level (EG Sustain Level)	-64 – +63	
		28	1	00 – 7F	FEG Attack Time (EG Attack Time)	-64 – +63	
		29	1		reserved		
		2A	1	00 – 7F	FEG Decay2 Time (EG Decay Time)	-64 – +63	
		2B	1	00 – 7F	FEG Release Time (EG Release Time)	-64 – +63	
		2C	1	00 – 7F	FEG DEPTH	-64 – +63	
37	pp	2D	1		reserved		
		2E	2	002E – 00B6	Low Frequency MSB Low Frequency LSB	50.1 – 2.00k	
		30	1	20 – 60	Low Gain	-32 – +32	
		31	1		reserved		
		32	2	0053 – 00F1	Mid Frequency MSB Mid Frequency LSB	139.7 – 10.1k	
		34	1	20 – 60	Mid Gain	-32 – +32	
		35	1	00 – 1F	Mid Resonance	0 – 31	
		36	2	0083 – 00FF	High Frequency MSB High Frequency LSB	503.8 – 14k	
		38	1	20 – 60	High Gain	-32 – +32	
		39	1		reserved		

TOTAL SIZE = 58 3A (HEX)

pp = part number

00 – 0F Part 1 – 16 (Normal, Drum, Sample)
60 Part Plug-in 1 (User, Preset, Direct)
61 Part Plug-in 2 (User, Preset, Direct)
62 Part Plug-in 3 (User, Preset, Direct)
10 – 1F Multi Plug-in Board Part (Multiには含まれない。MW、CAT、AC1 Controlは削除。)

Address	Size	Data Range (HEX)	Parameter Name	Description	Notes		
38	pp	00	1	00 – 03	A/D Input Mode	L mono, R mono, L+R mono, stereo	
		01	1	00 – 7F	A/D Part Volume	0 – 127	
		02	1	01 – 7F	A/D Part Pan	L63 – C – R63	
		03	1	00 – 7F	A/D Part Reverb Send	0 – 127	
		04	1	00 – 7F	A/D Part Chorus Send	0 – 127	
		05	1	00 – 7F	reserved		
		06	1	00 – 7F	A/D Part Dry Level	0 – 127	
		07	1	00 – 4F	A/D Part Output Select	0: L&R 8: asnL&R 9-15: asn1&2 – asn13&14 64 – 79: asnL, asnR, asn1 – asn14	

TOTAL SIZE = 8 08 (HEX)

pp = part number

40 – 44 AD Part

Function...	Transmitted	Recognized	Remarks
Basic Channel Default Changed	1 - 16 X	1 - 16 X	Memorized
Mode Default Messages Altered	X X *****	X X X	
Note Number : True voice	0 - 127 *****	0 - 127	
Velocity Note ON Note OFF	O 9nH,v=1-127 X 9nH,v=0	O 9nH,v=1-127 X 9nH,v=0	
After Touch Key's Ch's	O O	O O	
Pitch Bend	O	O	
Control Change 0-121	O	O	
Prog Change : True #	O 0 - 127 *****	O 0 - 127	
System Exclusive	O	O	
Common : Song Pos. : Song Sel. : Tune	O *2 O *2 X	O *1 O *1 X	
System : Clock Real Time : Commands	O *2 O *2	O *1,*2 O *1	
Aux : All Sound Off : Reset All Cntrls : Local ON/OFF Mes- : All Notes OFF sages: Active Sense : Reset	O O O X X X	O O O X X X	
Notes:	*1 if MIDI Sync is midi *2 if MIDI Control is on send MMC(stop,deffered play,locate) if sync mode is MTC. receive MTC quarter frame message if sync mode is MTC.		

Function...	Transmitted	Recognized	Remarks	
Basic Channel Default Changed	1 - 16 1 - 16	1 - 16 1 - 16	Memorized	
Mode Default Messages Altered	3 X *****	1 1 - 4(m=1) *2 X	Memorized	
Note Number : True voice	0 - 127 *****	0 - 127 0 - 127	Transpose	
Velocity Note ON Note OFF	O 9nH,v=1-127 X 9nH,v=0	O v=1-127 X		
After Touch Key's Ch's	X O	X O	*1	
Pitch Bend	O	O	*1	
Control Change	0,32 O 1,7,10,11 O 6,38 X 64 O 65 X 66 X 71-75 O 91,93 O 96-97 X 100-101 X 1-95 O	O O O O O O O O O O O	*1 *1 *1 *1 *1 *1 *1 *1 *1 *1 *1	Bank Select Data Entry Sustain Sw Portamento Sw Sostenuto Sound Controller Effect Depth RPN Inc,Dec RPN LSB,MSB Assignable Cntrl
Prog Change : True #	O 0 - 127 *****	O 0 - 127 0 - 127		
System Exclusive	O	O		
Common : Song Pos. : Song Sel. : Tune	X X X	X X X		
System : Clock Real Time : Commands	X X	O X		
Aux : All Sound Off : Reset All Cntrls : Local ON/OFF Mes- : All Notes OFF sages: Active Sense : Reset	X X X X O X	O (120,126,127) O (121) X O (123-125) O X		

Notes: *1 receive if switch is on.
 *2 m is always treated as "1" regardless of its value.



この取扱説明書は
大豆油インクで印刷しています。

この取扱説明書は
エコバルブ(ECF: 無塩素系漂白バルブ)
を使用しています。

この取扱説明書は再生紙を使用しています。

M.D.G., Pro Audio & Digital Musical Instrument Division, Yamaha Corporation
© 2003 Yamaha Corporation

WB18000 308MWAP-5.2-02B0
Printed in Japan