

NHB32-C

Network Hub and Bridge



NHB32-C



Rear Panel

32-in/32-out audio and control interface sends and receives digital audio and control signals via CobraNet.

- A single NHB32-C unit can support up to 32-channels of digital audio I/O, and one control signal I/O.
- Four separate 8-channel AES/EBU input/output terminals.
- CobraNet™ transfers high-quality 20-bit or 24-bit 48 kHz digital audio over four bundle paths in real time.
- MIDI, head amp remote (AD8HR, AD824) and amplifier control.
- NetworkAmp Manager software allows central control of both audio and control signals.
- Up to eight NHB32-C units can be networked, with each unit transferring and receiving four bundles, and 64 channels of digital audio can be received from any ACU16-C or NHB32-C on the network via CobraNet™.
- A networked system with ACU16-C and NHB32-C units is capable of handling up to 64 channels of digital audio.
- Multicast and unicast modes can be used in combination to optimize bandwidth.
- Primary and secondary CobraNet™ ports are built-in, providing a redundant network for reliable operation.

GENERAL SPECIFICATIONS

Maximum unit count	8 units for a CobraNet network
Number of scene memories	99
Max. input channel count (from/to CobraNet)	32ch (48kHz/20bit); 28ch (48kHz/24bit)
Sampling frequency rate	48kHz
Signal delay	0.0417ms (CobraNet to AES/EBU)
Front panel	USB : PC USB connector UNIT ID : ID dial WORD CLOCK SELECT : from AES/EBU; NETWORK; WORD CLOCK IN PATCH SELECT POWER ON/OFF
Rear panel	AES/EBU 1-4 : 8ch/connector; Dsub-25pin x 4 WORDCLOCK : IN/OUT; BNC x 2 CobraNet™ : PRIMARY/SECONDARY; RJ45 x 2 COM : Dsub-9pin (male); for AD8HR HA control TO COMPUTER : Dsub-9pin (male) MIDI : IN/OUT; DIN5pin x 2
Power requirements	Japan: AC100V, 50/60Hz North America: AC110-120V, 50/60Hz Other Areas: AC220-240V, 50/60Hz
Power consumption	40W
Dimensions (W x H x D)	480 x 44 x 386mm (18 7/8" x 1 3/4" x 15 3/16"), 1U
Weight	5.0kg (11lbs)

DIGITAL I/O SPECIFICATIONS

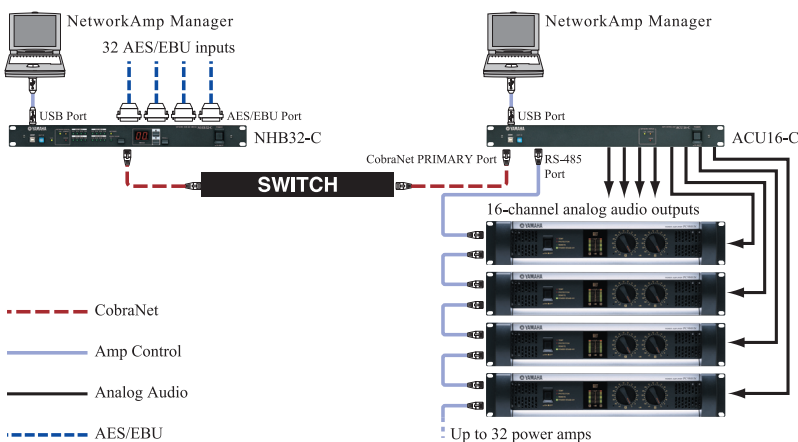
Terminal	Format	Level	Connector	
AES/EBU 1-4	IN OUT	AES/EBU	RS422	D-Sub 25pin (Female)
CobraNet™*	PRIMARY	100Base-TX	100Base-TX	RJ-45
	SECONDARY			

* 32IN/32OUT(20bit), 28IN/28OUT(24bit)

CONTROL I/O SPECIFICATIONS

Terminal	Format	Level	Connector	
COM	-	-	RS422	D-Sub 9pin (Male)
TO COMPUTER	-	-	RS232C	D-Sub 9pin (Male)
USB	-	USB	-	B type USB Connector
MIDI	IN	MIDI	-	DIN Connector 5pin
	OUT	MIDI	-	DIN Connector 5pin
WORD CLOCK	IN	-	TTL/75Ω	BNC Connector
	OUT	-	TTL/75Ω	BNC Connector

SYSTEM EXAMPLE



DIMENSIONS

