



## SPEAKER SYSTEM

### LOUDSPEAKER

---

**CXR 15** mk3

**CXR 12** mk3

**CXR 10** mk3

### SUBWOOFER

---

**CXS 18** mk3

**CXS 15** mk3

**CXS 12** mk3

## Reference

### Contents

Specifications .....	2
Dimensions.....	3

# Specifications

General specifications		CXR15mk3	CXR12mk3	CXR10mk3	CXS18mk3	CXS15mk3	CXS12mk3
Speaker Type		2-way Speaker, Bass-reflex			Subwoofer, band-pass		
Frequency Range (-10 dB)	PASSIVE	50 Hz to 20 kHz	51 Hz to 20 kHz	54 Hz to 20 kHz	35 Hz to 150 Hz	40 Hz to 180 Hz	42 Hz to 180 Hz
	XTENDED LF		-		32 Hz to 120 Hz *1	35 Hz to 140 Hz *1	38 Hz to 140 Hz *1
Coverage Angle (Horizontal × Vertical)		90° × 60°	90° × 60°	90° × 60°	-		
Crossover Frequency		1.8 kHz	1.9 kHz	2.0 kHz	-		
Nominal Impedance		8 Ω			4 Ω		
Power Rating (IEC noise)	NOISE	300 W	275 W	275 W	500 W	325 W	325 W
	PGM	600 W	550 W	550 W	1,000 W	650 W	650 W
	MAX	1,200 W	1,100 W	1,100 W	2,000 W	1,300 W	1,300 W
Sensitivity (1 W, 1 m)		95 dB SPL	94 dB SPL	93 dB SPL	96 dB SPL *2	95 dB SPL *2	94 dB SPL *2
Maximum SPL (Calculated peak SPL, 1 m)		126 dB SPL	124 dB SPL	123 dB SPL	129 dB SPL *2	126 dB SPL *2	125 dB SPL *2
Dimensions (W × H × D)		447 × 699 × 380 mm	366 × 600 × 350 mm	310 × 502 × 310 mm	563 × 683 × 721 mm	480 × 611 × 614 mm	400 × 567 × 570 mm
Net Weight		19.0 kg	15.4 kg	12.2 kg	49.0 kg	35.0 kg	32.0 kg
Connectors		SpeakON NL4MP × 2 (parallel connected)			speakON NL4MP × 2 (Input × 1, Output × 1)		
Floor Monitor Angle		52°	52°	55°	-		

Speaker section		CXR15mk3	CXR12mk3	CXR10mk3	CXS18mk3	CXS15mk3	CXS12mk3
Transducers	LF	15" Cone 3" Voice coil	12" Cone 2.5" Voice coil	10" Cone 2.5" Voice coil	18" Cone 4" Voice coil	15" Cone 3" Voice coil	12" Cone 3" Voice coil
	HF	1.75" Diaphragm 1" Throat Compression Driver	1.75" Diaphragm 1" Throat Compression Driver	1.75" Diaphragm 1" Throat Compression Driver	-		
Material, Finish, Color		Plastic, Black			Plywood, Durable polyurea coating, Black		
Grille		Matte black powder coated perforated steel grille, t=1.2 mm			-		
Handles		Side × 2		Top × 1	Wood, Side × 2		
Pole Socket		ø 35 mm × 2 (0 and -7 degree)			ø 35 mm (Depth 80 mm), M20 (Threaded depth 25 mm)		
Rigging Points		Top × 2, Rear × 1 (Fit for M10 × 18 mm Eyebolts), Bottom × 2, Side × 2 (Fit for M8 × 25 mm UB-DXR15A)	Top × 2, Rear × 1 (Fit for M10 × 18 mm Eyebolts), Bottom × 2, Side × 2 (Fit for M8 × 25 mm UB-DXR12A)	Top × 2, Rear × 1 (Fit for M8 × 15 mm Eyebolts), Bottom × 2, Side × 2 (Fit for M8 × 25 mm UB-DXR10A)	-		

Accessories		CXR15mk3	CXR12mk3	CXR10mk3	CXS18mk3	CXS15mk3	CXS12mk3
Package Contents		Read This First					
Optional Accessories	Speaker Cover	SPCVR-DXR153	SPCVR-DXR123	SPCVR-DXR103	SPCVR-DXS183	SPCVR-DXS153	SPCVR-DXS123
	U-Bracket	UB-DXR15A	UB-DXR12A	UB-DXR10A	-		
	Wheels	-				SPW-1	

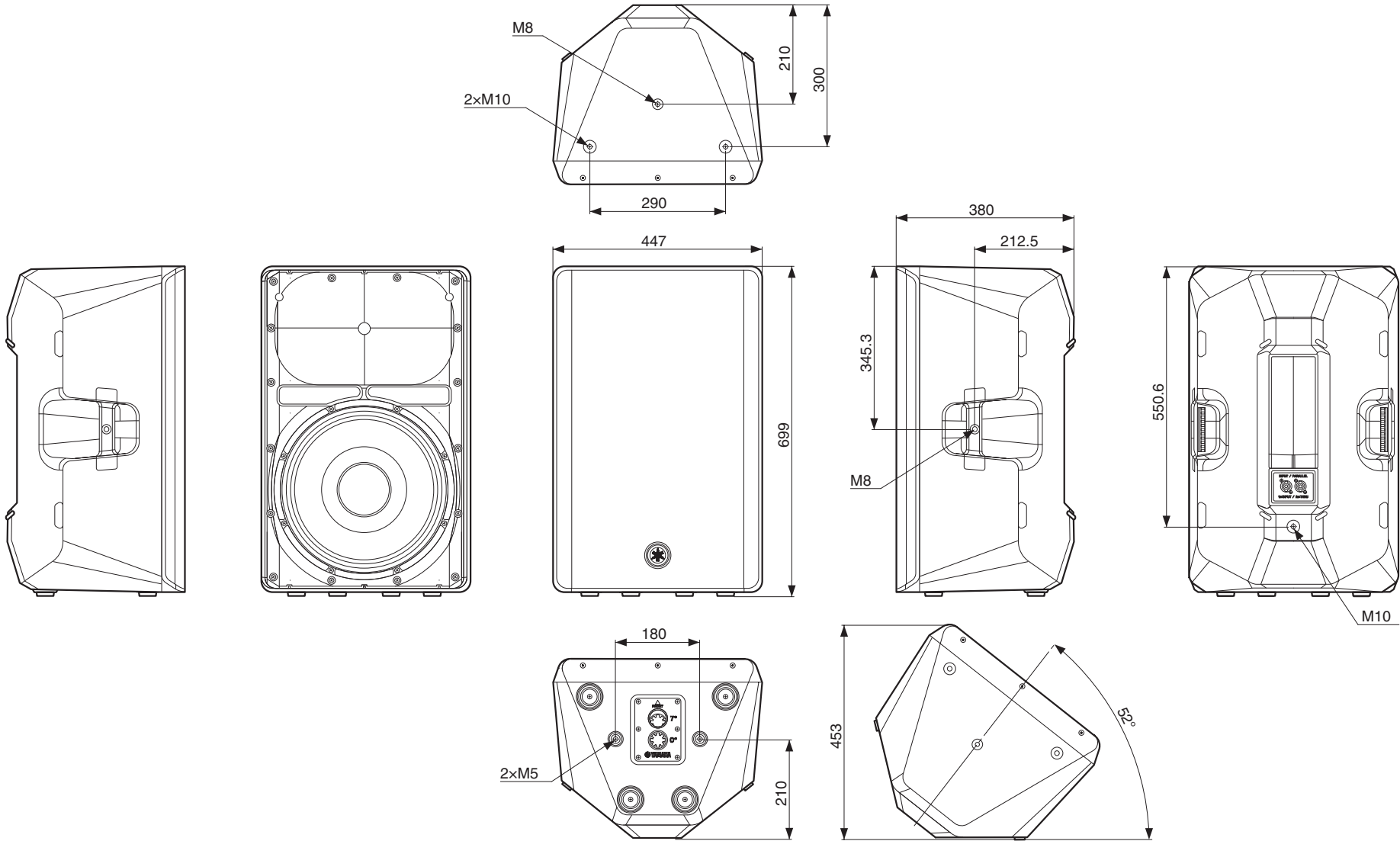
\*1 With recommended DSP processing.

\*2 Half-space (2 π)

\* The contents of this manual apply to the latest specifications as of the publishing date. To obtain the latest manual, access the Yamaha website then download the manual file.

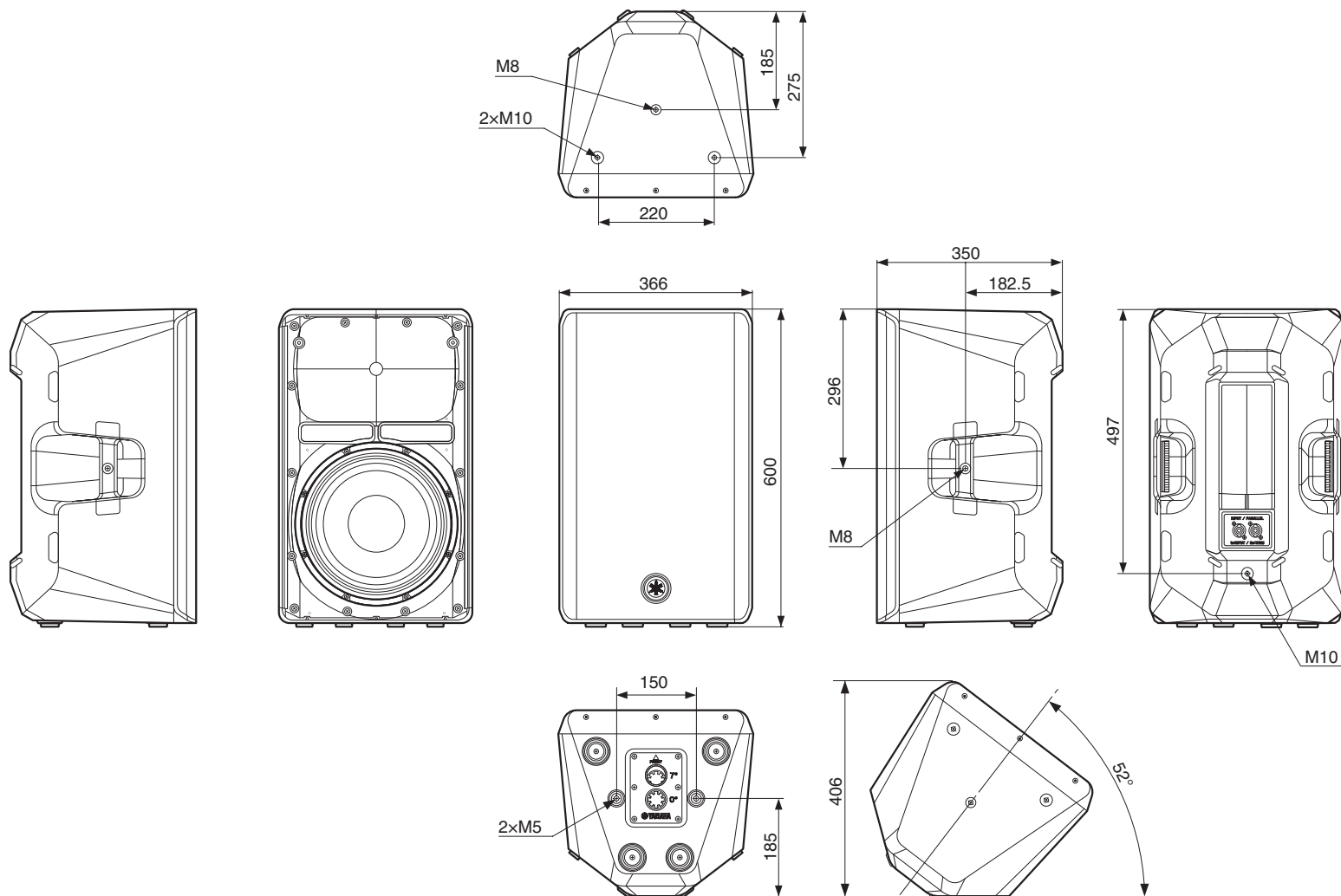
# Dimensions

## ■CXR15mk3



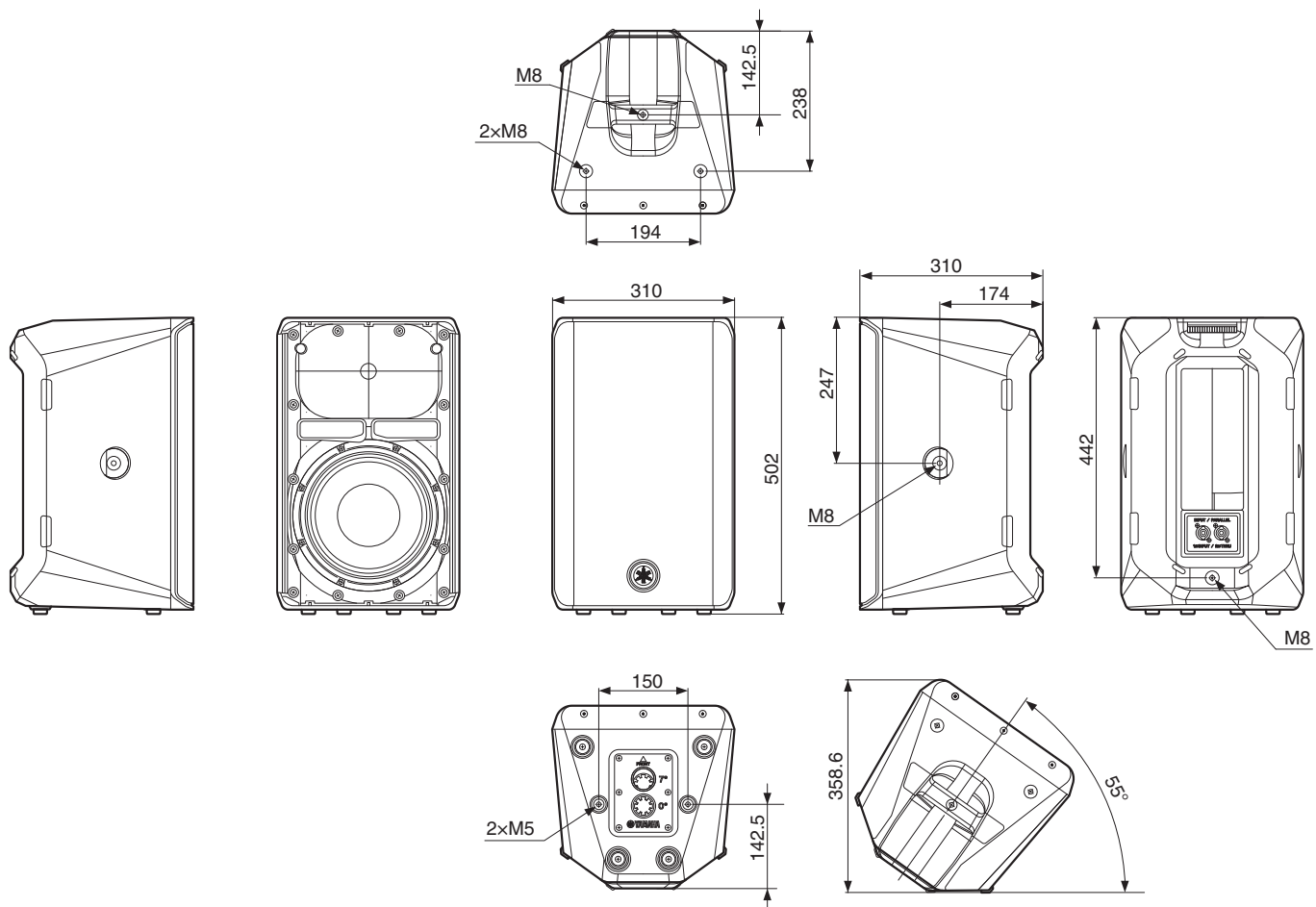
Unit: mm

■CXR12mk3



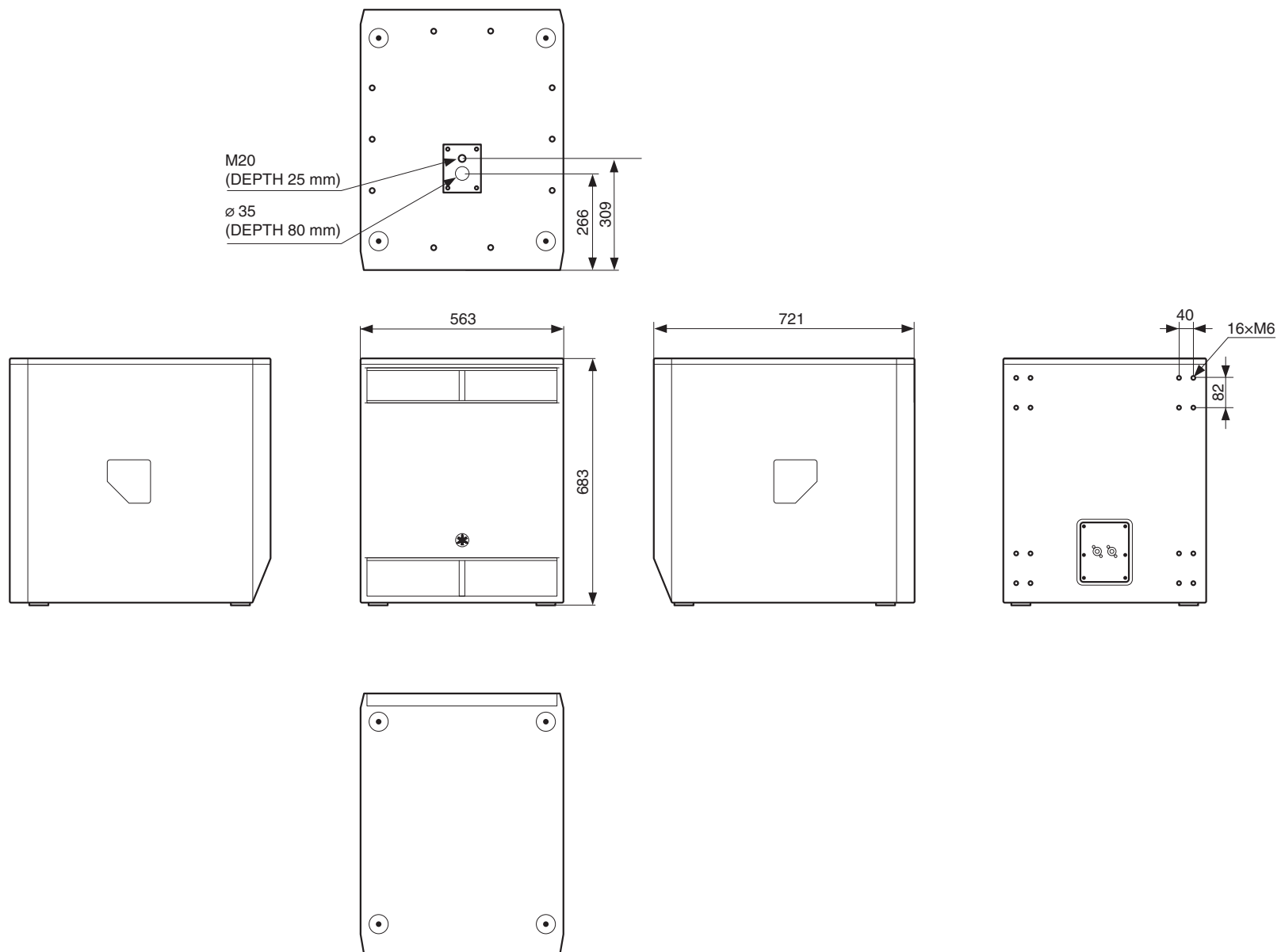
Unit: mm

■CXR10mk3



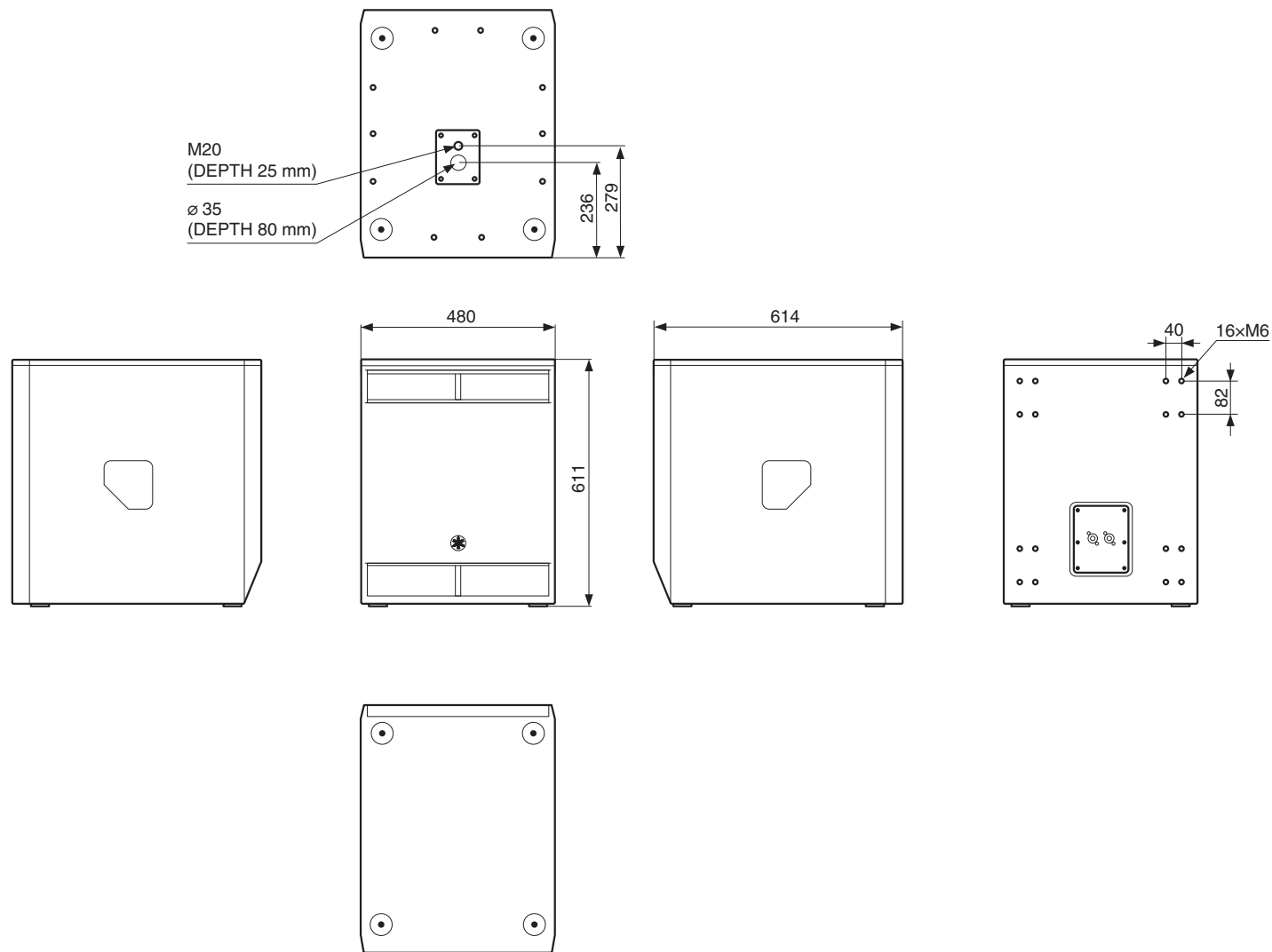
Unit: mm

■CXS18mk3



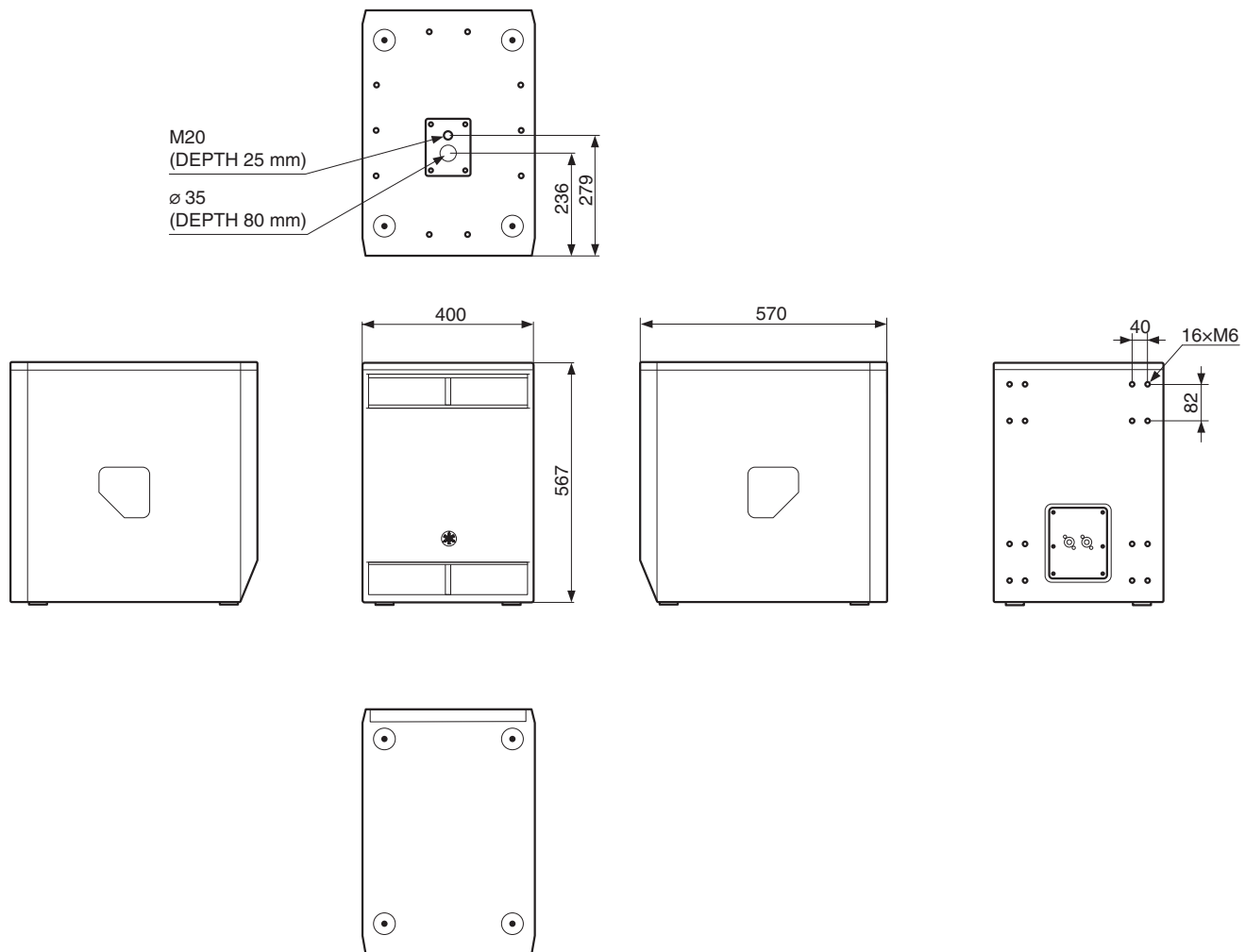
Unit: mm

■CXS15mk3



Unit: mm

■CXS12mk3



Unit: mm