

SPEAKER STAND

SPS-900

ASSEMBLY
INSTRUCTION

English

Français

Deutsch

Español

中文

日本語

Thank you for selecting this Yamaha product. Be sure to read this instruction thoroughly before using this stand. After you have read this instruction, keep it in a safe place for future reference.

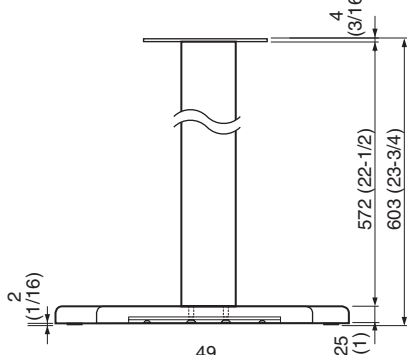
PRECAUTIONS

- This speaker stand is only for the speaker systems listed in “USABLE SPEAKERS” below. Do not use the speakers other than these listed.
- To prevent the speaker from falling, use the screws and parts provided with the stand.
- To prevent the speaker stand from falling over, select a location which is flat and stable.
- To avoid accidents resulting from tripping over loose speaker cables and to prevent the speaker stand from falling over, fix the speaker cables to the wall, etc.
- Do not let the children lean or sit on the stand as this might cause the serious accidents resulting from the falling over of the speaker stand.
- To prevent the speaker stand from discoloring and warping, keep the speaker stand away from the stoves and places where it will be exposed to direct sunlight, etc.
- Do not attempt to clean the speaker stand with chemical solvents as this might damage the finish. Use a clean, dry cloth.
- When moving the speaker and stand, be sure to hold the support detached from the speaker.
- Secure placement or installation is the owner’s responsibility. Yamaha shall not be liable for any accident caused by improper placement or installation of speakers.

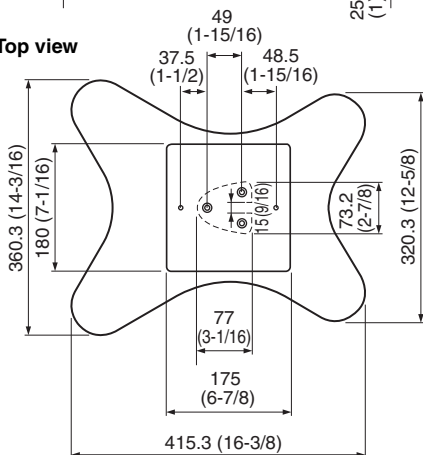
DIMENSION FIGURES

Front view

unit: mm (inch)



Top view



SPECIFICATIONS

Dimensions (W x H x D):

360.3 x 603 x 415.3 mm
(14-3/16" x 23-3/4" x 16-3/8")

Weight/unit:

6.5 kg (14 lbs. 5 oz.)

USABLE SPEAKERS

• Soavo-2

Use the front and the rear screw holes in the bottom of the speaker to fix the speaker.

• Soavo-900M

Use the front screw hole in the bottom of the speaker to fix the speaker.

■ ASSEMBLY

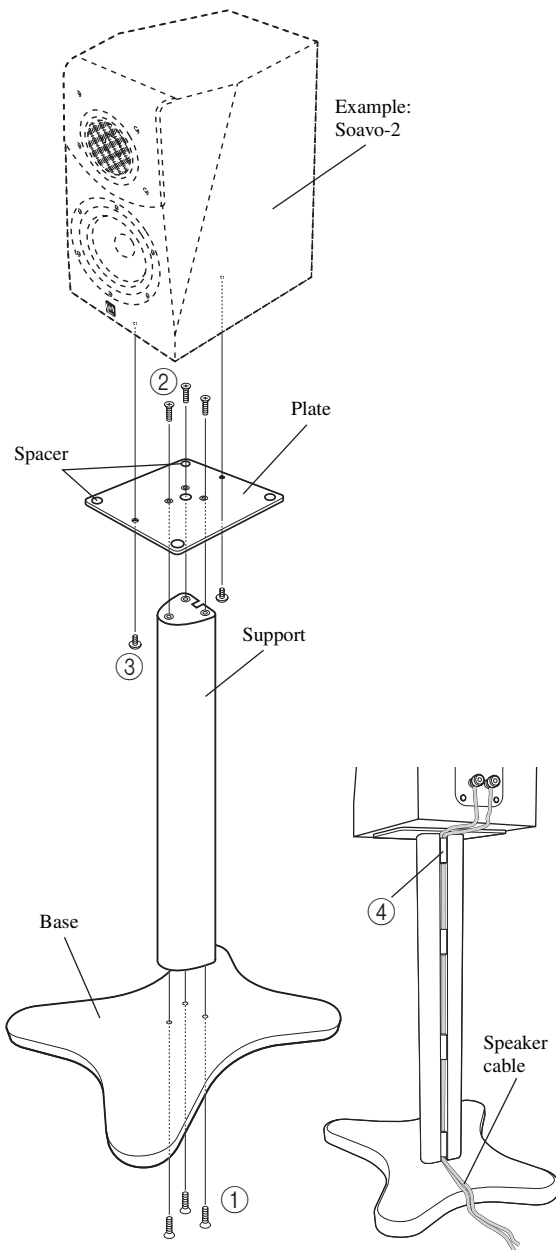
Before beginning assembly, check the parts list and make sure all the parts are included.

You need a screwdriver for the assembly.

• Parts list (for 2 units)

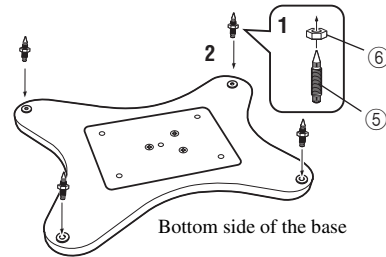
	NAME	QUANTITY
①	Flat-head Phillips screws (M6 x 40 mm (1-9/16"))	6
②	Flat-head Phillips screws (M6 x 20 mm (13/16"))	6
③	Speaker mounting screws (M4 x 14 mm (9/16"))	4
④	Cable clamps	8
⑤	Spikes	8
⑥	Nuts	8

Assembly figure



Attaching the spikes

When setting up this unit on a thick carpet etc., attach spikes on the bottom side of the base in order to increase stability of this unit and to enhance sound quality.



• Attaching procedures

1. For each spike, screw a nut to the tip of the spike.
2. Screw the spike into the hole of the bottom side of the base.
3. Place the base with the topside up in the desired location and adjust the length of the spike to match the depth of the carpet.

Note

The tip of the spike may scratch or damage the flooring. Please be careful when positioning the stand.

• Assembly procedures

Note

Do not overtighten the screws. Doing so may damage screws or screw holes.

1. Attach the base and the support.

Align holes in the base with holes in the support, and then fasten ① flat-head Phillips screws using a screwdriver.

2. Attach the plate and the support.

Align holes in the plate with holes in the support, and then fasten ② flat-head Phillips screws using a screwdriver.

Note

When attaching the plate, put the plate with the spacer-side up on the support.

3. Attach a speaker.

Align holes on the bottom of the speaker with holes in the plate, and then fasten ③ speaker mounting screws using a screwdriver.

Note

The screw hole(s) which is (are) used varies (vary) depending on the speaker. For details about the screw hole(s) which is (are) used, refer to "USABLE SPEAKERS" on page 1.

4. Fix speaker cables.

Put ④ cable clamps into the conduit to fix speaker cables after setting speaker cables into the conduit on the back of the support.