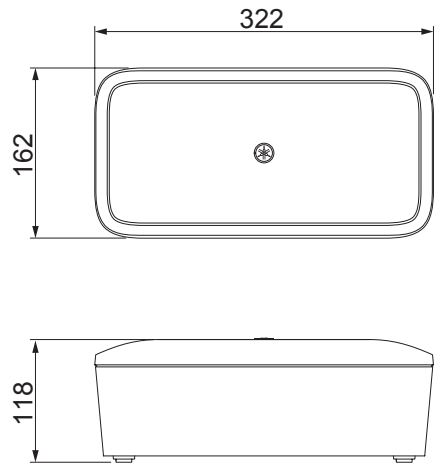
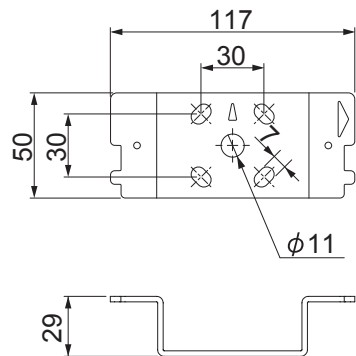


Dimensions

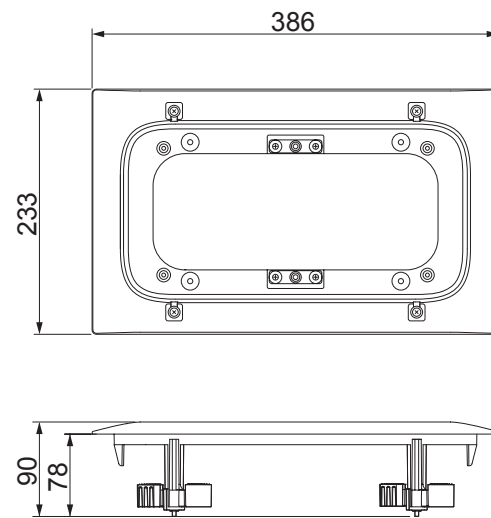
VXS3SB/VXS3SW



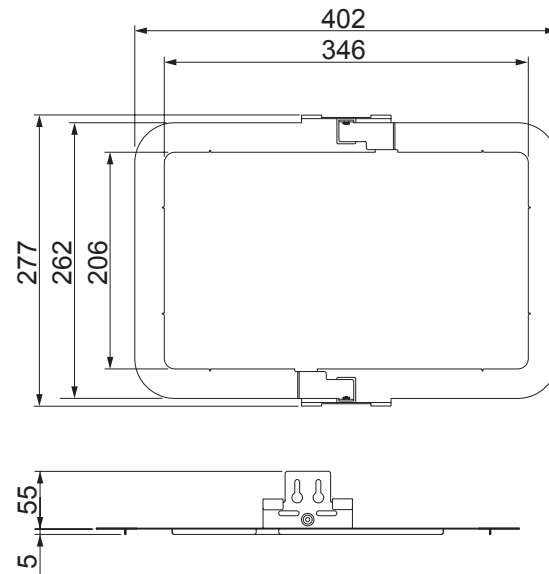
■ WALL BRACKET



CMA3SB/CMA3SW (OPTION)



■ SQUARE RING



■ ANCHOR BRACKET AND SQUARE RING

